



US00D840574S

(12) **United States Design Patent**  
**Brynjolfsson**

(10) **Patent No.:** **US D840,574 S**

(45) **Date of Patent:** **\*\* Feb. 12, 2019**

(54) **LANDSCAPE ACCENT LIGHT**

(71) Applicant: **Alan Leif Brynjolfsson**, Tampa, FL  
(US)

(72) Inventor: **Alan Leif Brynjolfsson**, Tampa, FL  
(US)

(\*\*) Term: **15 Years**

(21) Appl. No.: **29/642,950**

(22) Filed: **Apr. 3, 2018**

**Related U.S. Application Data**

(62) Division of application No. 29/580,823, filed on Oct. 13, 2016, now Pat. No. Des. 818,171.

(51) **LOC (11) Cl.** ..... **26-06**

(52) **U.S. Cl.**  
USPC ..... **D26/63**

(58) **Field of Classification Search**

USPC ..... D26/63, 67, 68, 128, 118, 138  
CPC .... F21S 8/003; F21S 8/08; F21S 8/081; F21S 8/083; F21S 9/03; F21S 9/032; F21S 9/035; F21S 9/037; F21S 10/007; F21V 21/0824; F21V 21/26; F21V 21/30; F21W 2121/004; F21W 2121/006; F21W 2121/008; F21W 2131/10; F21W 2131/109; G02B 27/20; G03B 21/56

See application file for complete search history.

(56) **References Cited**

**U.S. PATENT DOCUMENTS**

D233,779 S 11/1974 Kennedy et al.  
D234,710 S 4/1975 Beeren  
D333,529 S 2/1993 Denison et al.  
D370,070 S 5/1996 Kay  
D389,268 S 1/1998 Kay  
D414,579 S 9/1999 Denison et al.  
D417,519 S 12/1999 Cutler  
D427,696 S 7/2000 Scott et al.

D435,925 S 1/2001 Hiller et al.  
6,502,965 B1 1/2003 Bradford  
D495,079 S 8/2004 Mullen  
D507,668 S 7/2005 Kwong  
D574,532 S 8/2008 Lee et al.  
D590,979 S 4/2009 Mullen

(Continued)

**OTHER PUBLICATIONS**

Kichler landscape light model No. 16002BBR27 found at build.com visited Sep. 24, 2018. (Year: 2018).\*

(Continued)

*Primary Examiner* — Clare E Hefflin

(74) *Attorney, Agent, or Firm* — Nelson Mullins Riley & Scarborough, LLP

(57) **CLAIM**

The ornamental design of a landscape accent light, substantially as shown and described.

**DESCRIPTION**

FIG. 1 is a front perspective view of a landscape accent light embodying the design of the present invention.

FIG. 2 is a front side elevational view of the landscape accent light illustrated in FIG. 1.

FIG. 3 is a back side elevational view of the landscape accent light illustrated in FIG. 1.

FIG. 4 is a right side elevational view of the landscape accent light illustrated in FIG. 1.

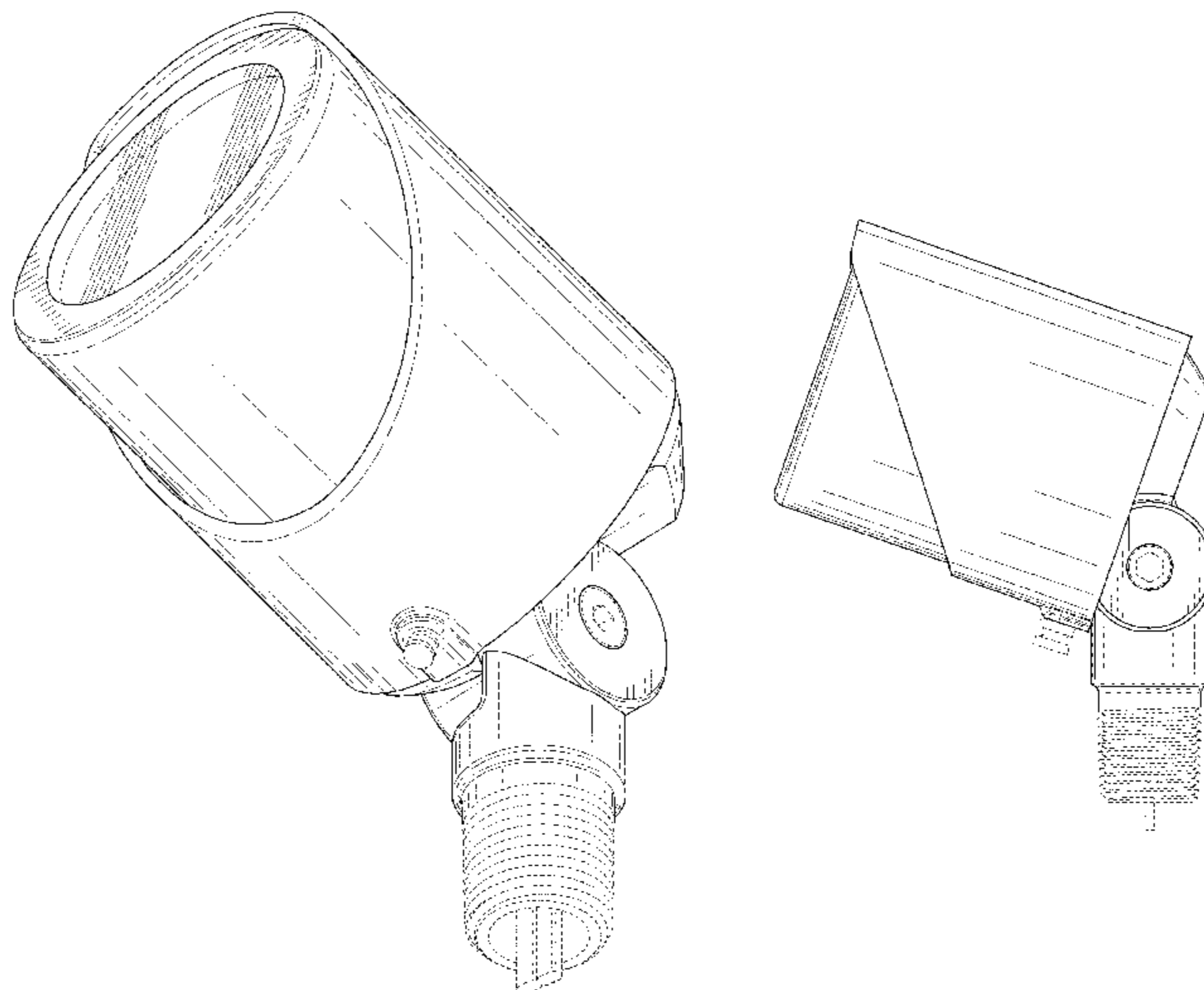
FIG. 5 is a left side elevational view of the landscape accent light illustrated in FIG. 1.

FIG. 6 is a bottom view of the landscape accent light illustrated in FIG. 1; and,

FIG. 7 is a top view of the landscape accent light illustrated in FIG. 1.

The broken lines shown on the drawings depict portions of the landscape accent light that form no part of the claimed design.

**1 Claim, 6 Drawing Sheets**



(56)

**References Cited**

U.S. PATENT DOCUMENTS

D625,871	S	10/2010	Huang	
D659,871	S	5/2012	Lee et al.	
D667,981	S	9/2012	Connolly et al.	
D698,477	S	1/2014	Korpi	
D723,726	S	3/2015	Reed et al.	
D748,838	S	2/2016	Brynjolfsson	
D793,599	S	8/2017	Brynjolfsson	
D800,938	S *	10/2017	Guercio .....	D26/63
D810,341	S *	2/2018	Waldmann .....	D26/63
D810,983	S *	2/2018	Waldmann .....	D26/63
D818,171	S *	5/2018	Brynjolfsson .....	D26/63
D824,561	S *	7/2018	Waldmann .....	D26/63
2005/0103378	A1	5/2005	Mingqiang et al.	
2013/0208489	A1	8/2013	Schmuckle	
2015/0260385	A1	9/2015	Brynjolfsson	

OTHER PUBLICATIONS

VistaPro professional outdoor lighting fixture Model No. 5237, Specification Sheet from vistapro.com visited Sep. 24, 2018. (Year: 2018).\*

VOLT "Product Specifications: VOLT Low Voltage Lighting Infiniti G3 Integrated LED Directional Lights VAL-20xx-Axx Series," Copyright 2015, all enclosed pages cited.

\* cited by examiner

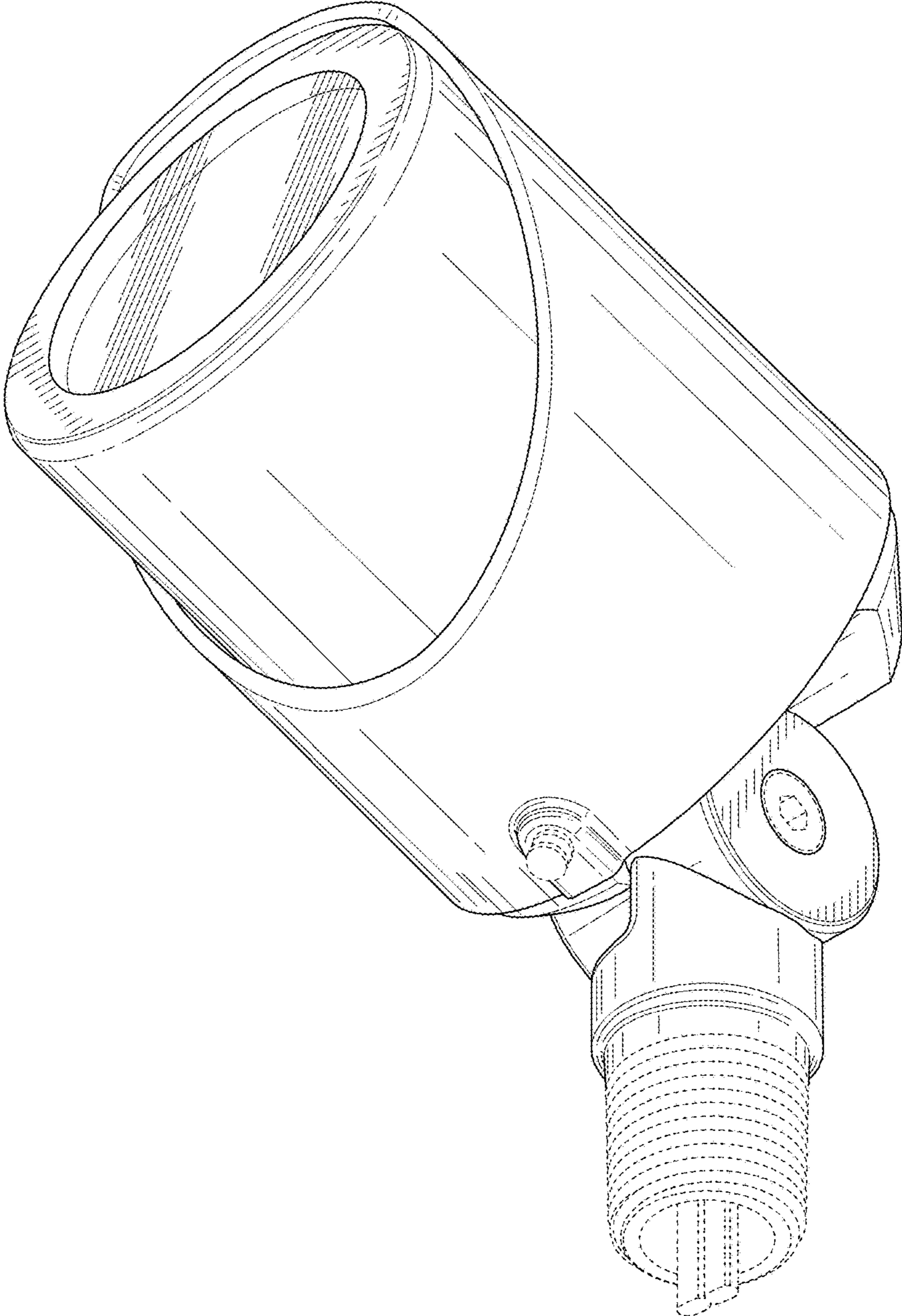


FIG. 1

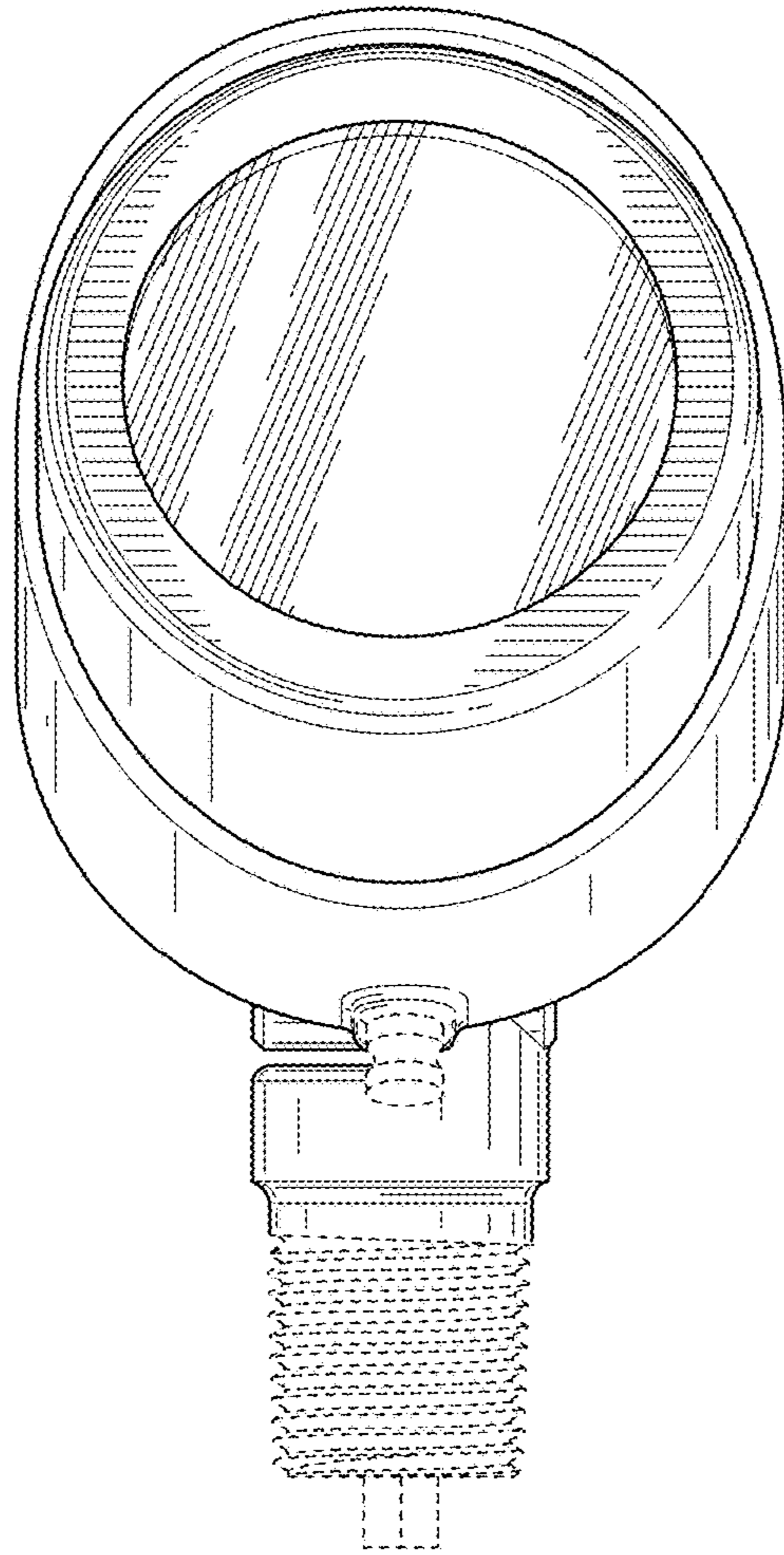


FIG. 2

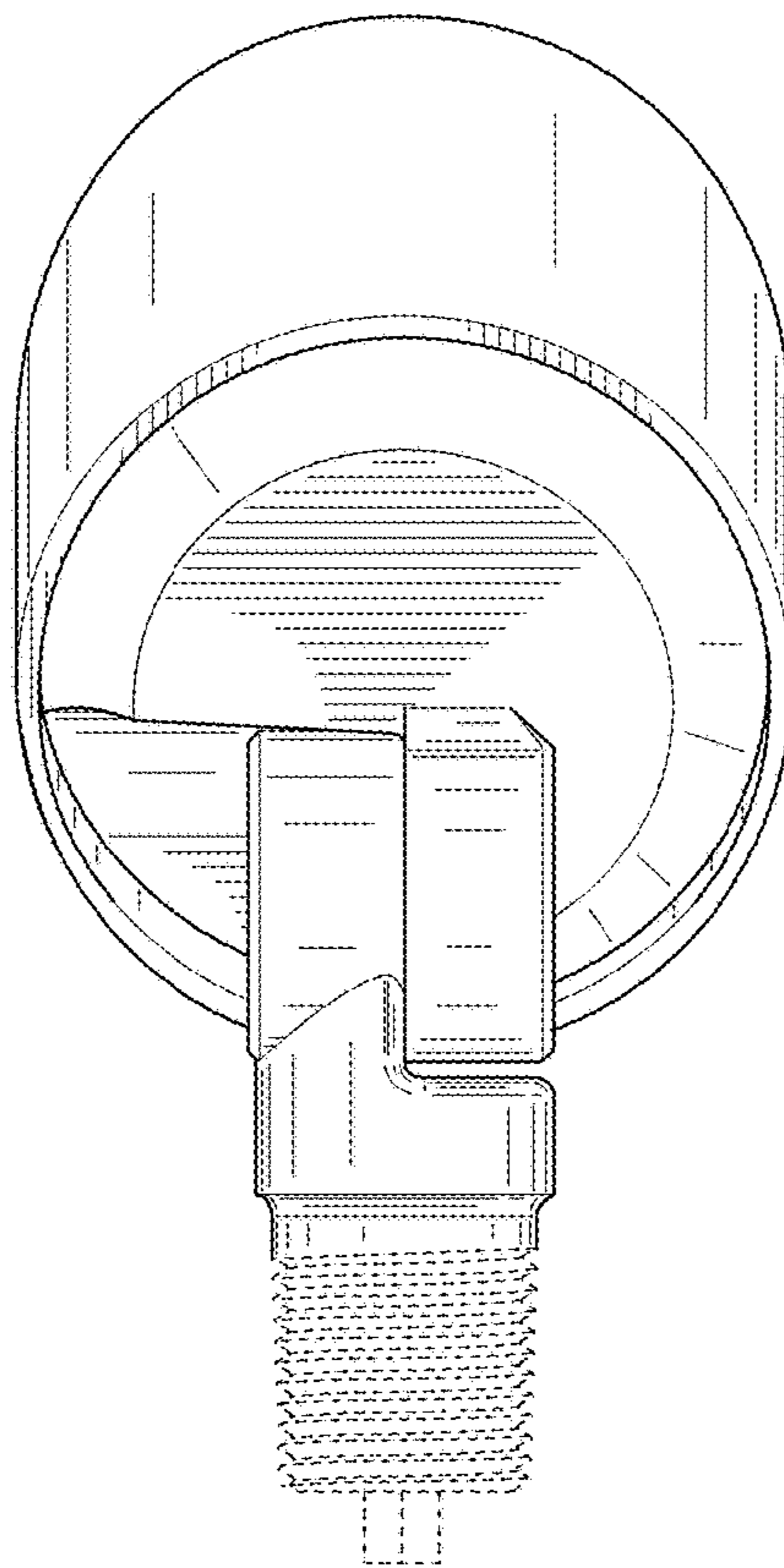


FIG. 3

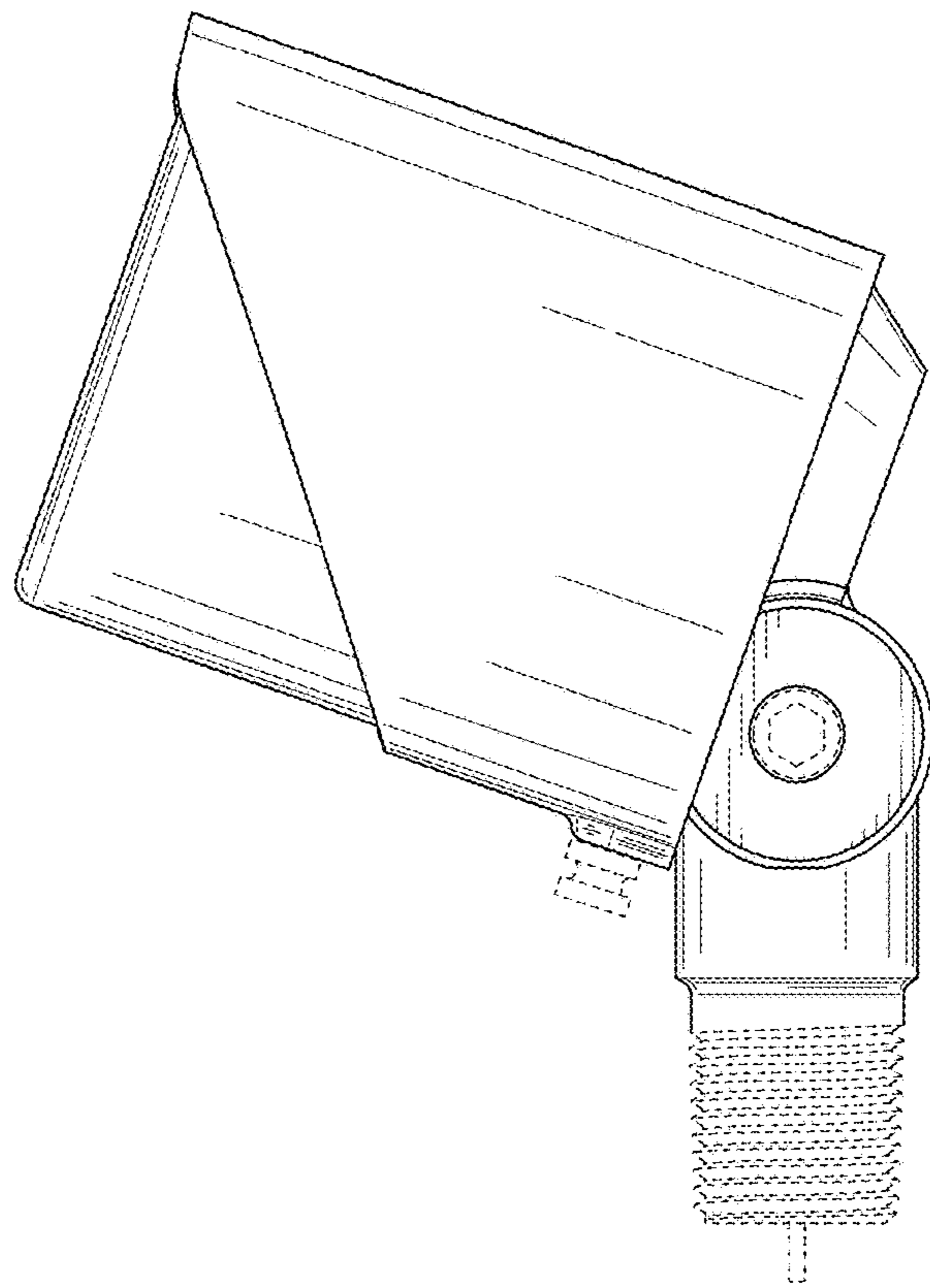


FIG. 4

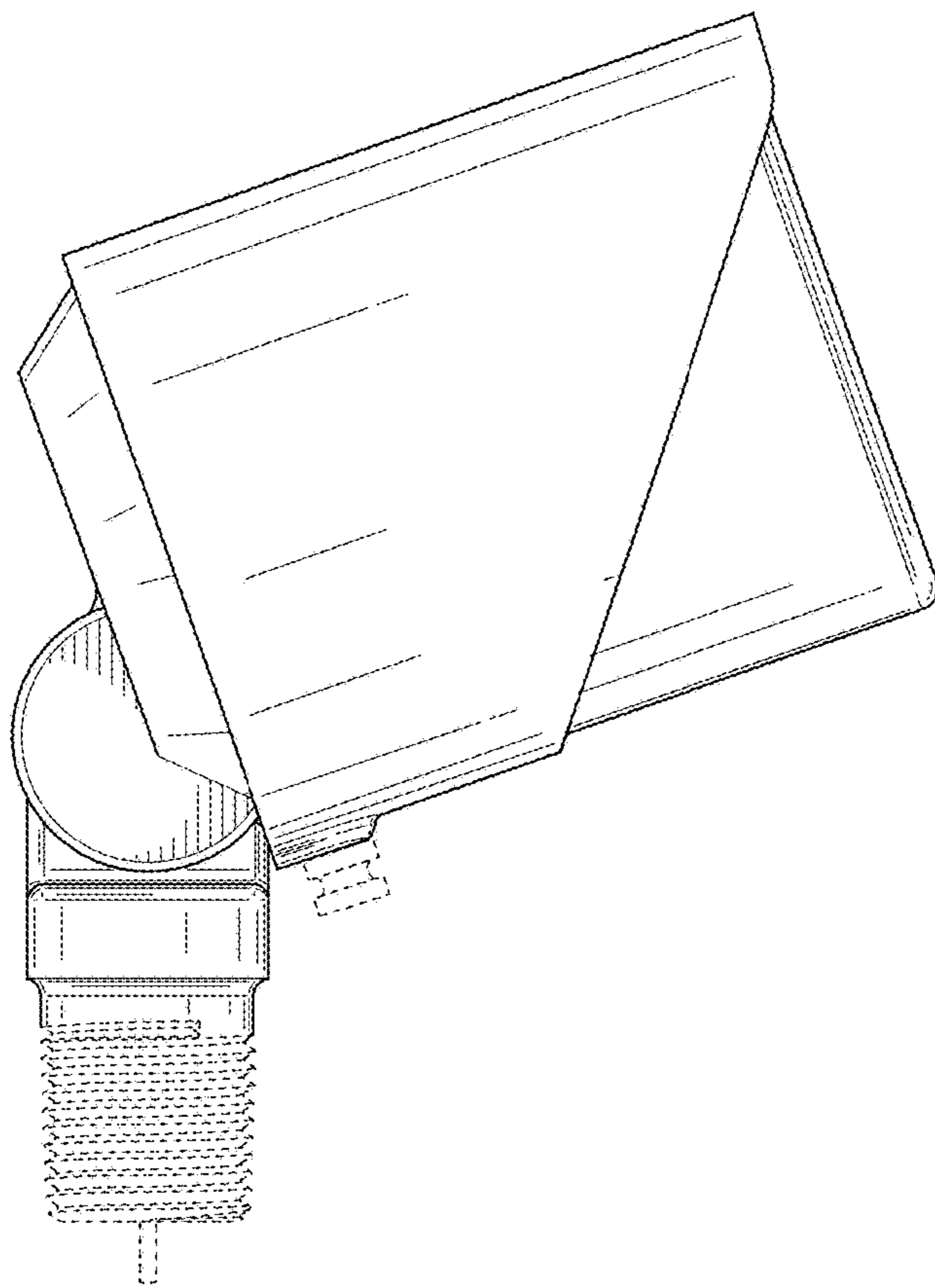


FIG. 5

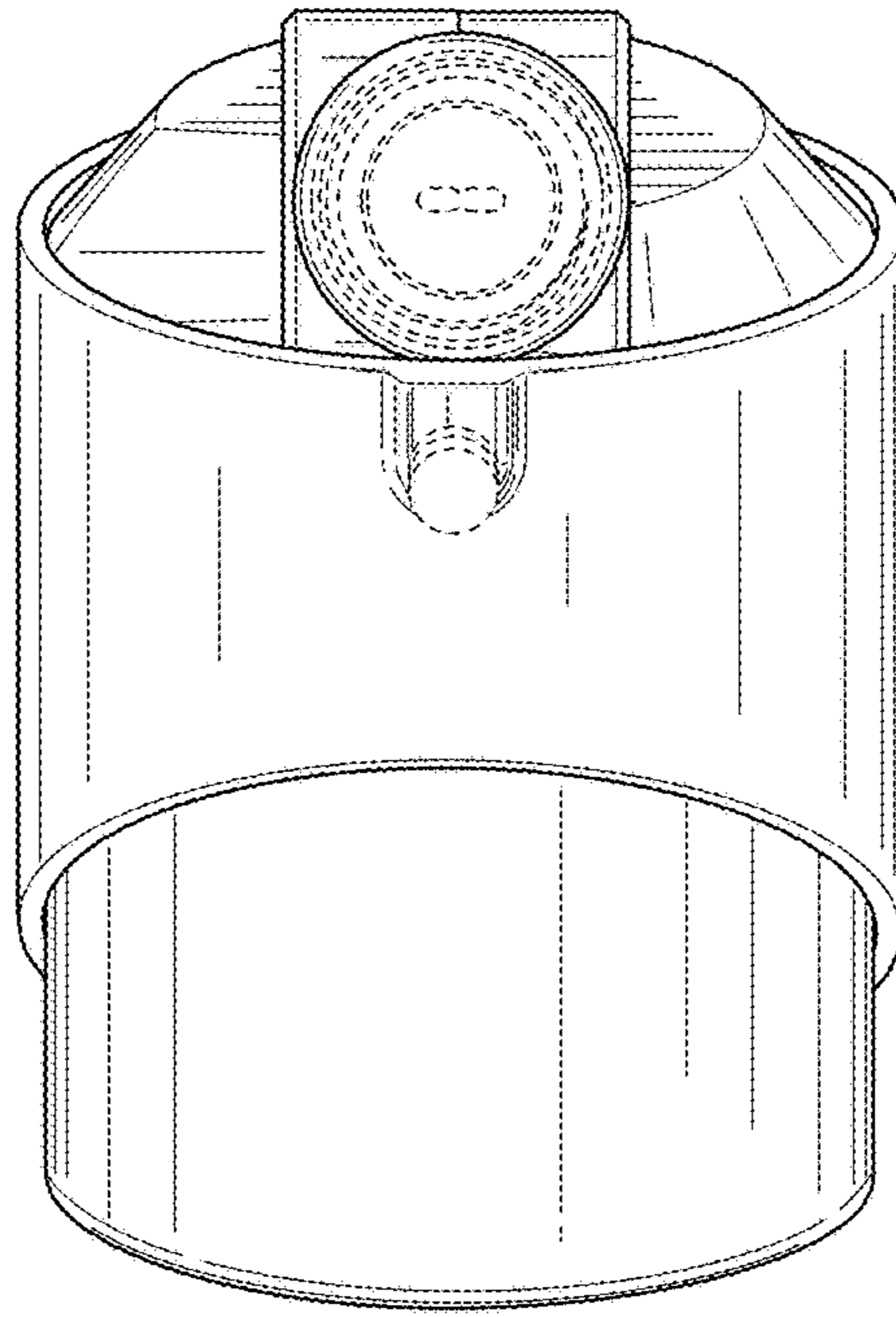


FIG. 6

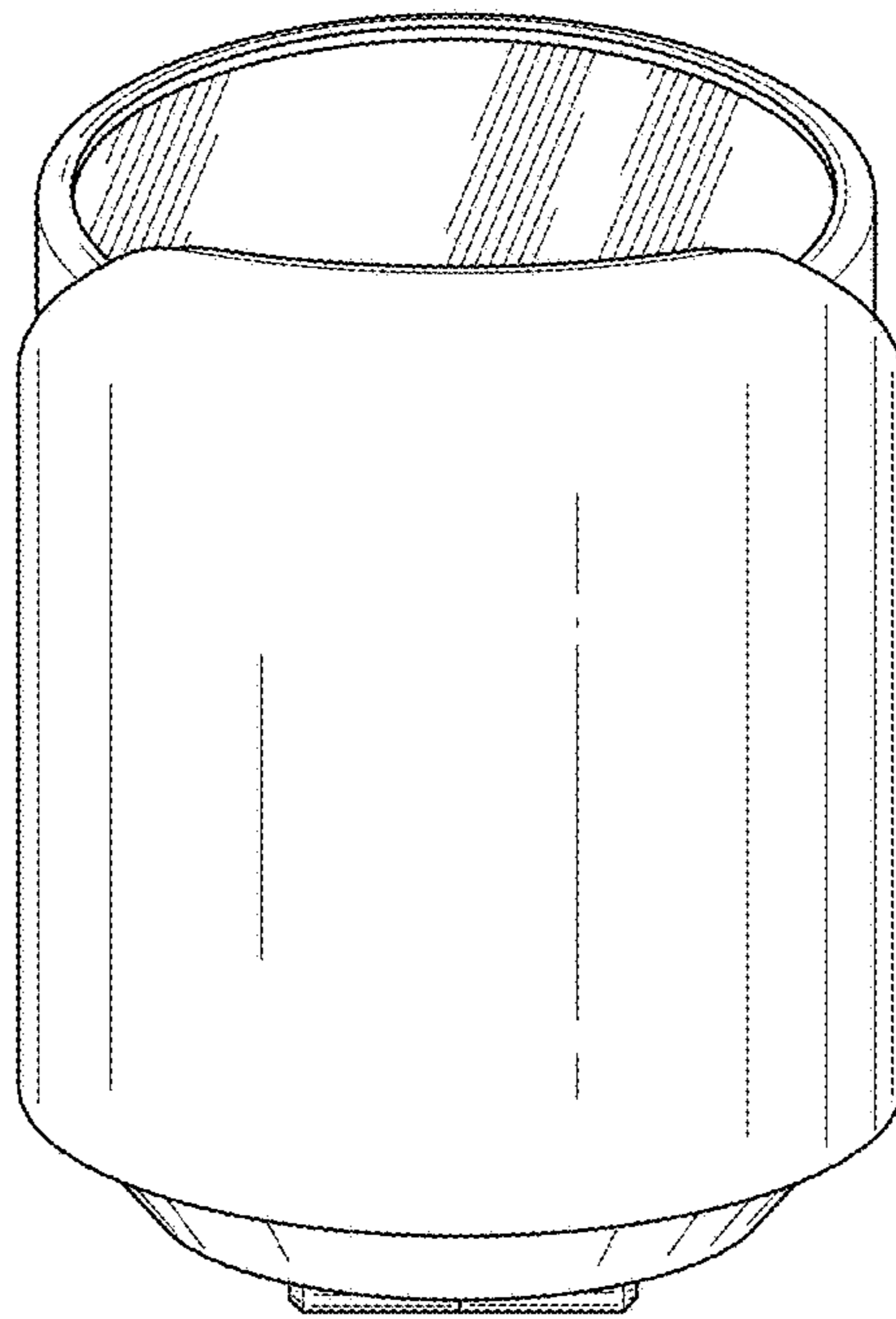


FIG. 7