



US00D840573S

(12) **United States Design Patent**
Wymore

(10) **Patent No.:** **US D840,573 S**

(45) **Date of Patent:** **** Feb. 12, 2019**

(54) **VEHICULAR FRONT LIGHT BAR**

D757,316 S 5/2016 Wymore
9,840,218 B1 12/2017 Wymore

(71) Applicant: **Iddea California, LLC**, Brea, CA (US)

* cited by examiner

(72) Inventor: **Timothy J. Wymore**, Brea, CA (US)

Primary Examiner — Marcus A Jackson

(73) Assignee: **Iddea California, LLC**, Brea, CA (US)

(74) *Attorney, Agent, or Firm* — Stetina Brunda Garred and Brucker

(**) Term: **15 Years**

(57) **CLAIM**

(21) Appl. No.: **29/623,829**

The ornamental design for a vehicular front light bar, as shown and described.

(22) Filed: **Oct. 27, 2017**

(51) **LOC (11) Cl.** **26-06**

(52) **U.S. Cl.**

USPC **D26/31**

(58) **Field of Classification Search**

USPC D26/28–36

CPC F21S 48/00; F21S 48/10; F21S 48/115;
F21S 48/225; F21S 48/1233; F21S
48/1266; F21S 48/1388; F21S 48/2268;
F21V 21/04; B60Q 9/13; B60Q 9/135;
B60Q 9/1375

See application file for complete search history.

DESCRIPTION

FIG. 1 is a front perspective view of the vehicular front light bar of the present invention showing my new design; FIG. 2 is a top elevational view thereof; FIG. 3 is a front elevational view thereof; FIG. 4 is a bottom plan view thereof; FIG. 5 is a left side view thereof; FIG. 6 is a right side view thereof; FIG. 7 is a rear elevational view thereof; FIG. 8 is a front perspective view of a second embodiment of the vehicular front light bar of the present invention showing my new design; FIG. 9 is a top plan view thereof; FIG. 10 is a front elevational view thereof; FIG. 11 is a bottom plan view thereof; FIG. 12 is a left side view thereof; FIG. 13 is a right side view thereof; and, FIG. 14 is a rear elevational view thereof.

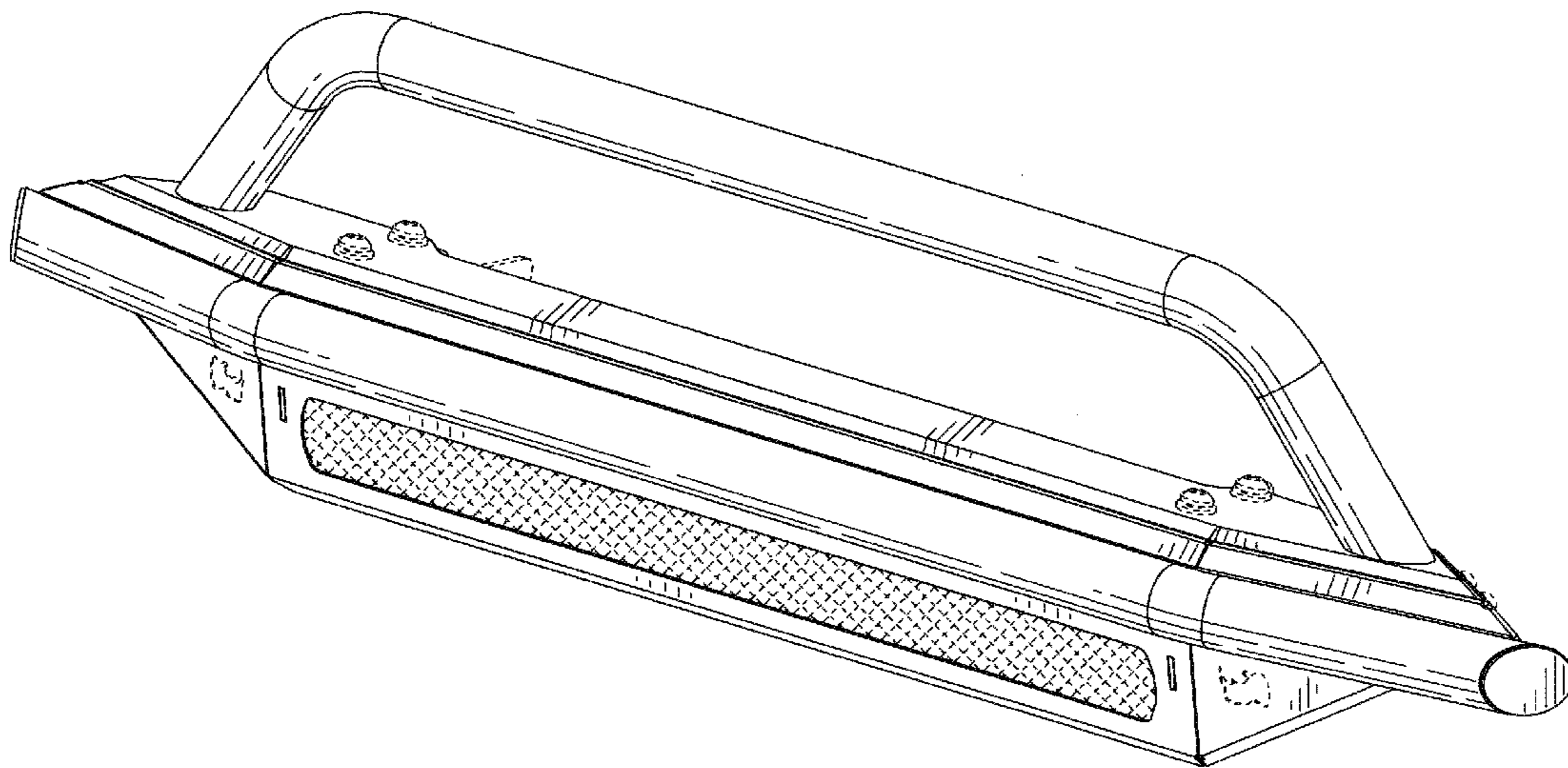
The dotted lines depicted in the drawings form no part of the claimed design.

(56) **References Cited**

U.S. PATENT DOCUMENTS

5,695,228	A	12/1997	Storer	
6,612,595	B1	9/2003	Storer	
D499,198	S *	11/2004	Cowan D26/31
D572,180	S	7/2008	Storer	
D577,319	S	9/2008	Storer	
D636,305	S	4/2011	Alvarez	
D656,258	S *	3/2012	Georgitsis B60Q 1/0483 D26/31

1 Claim, 8 Drawing Sheets



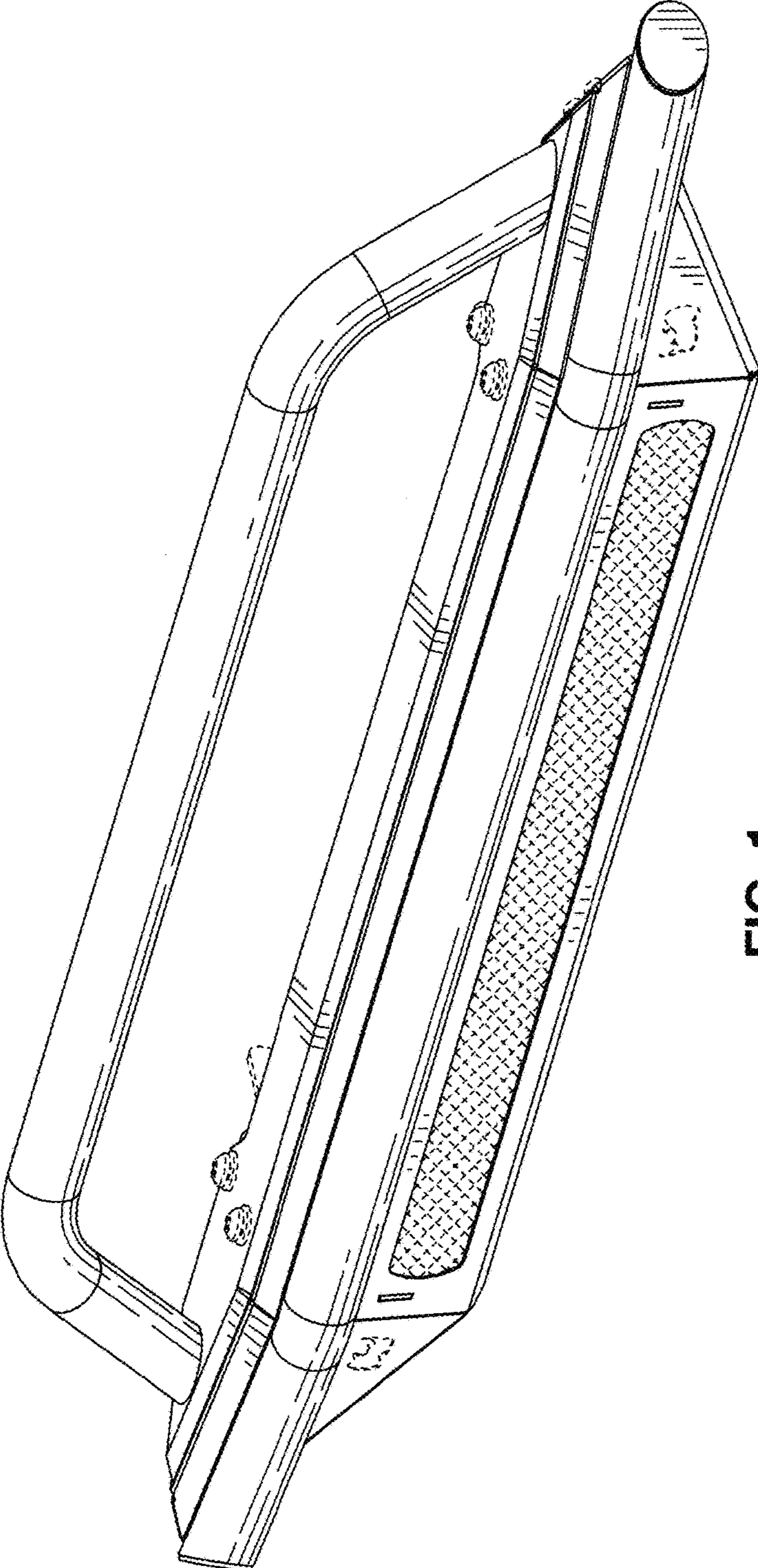


FIG. 1

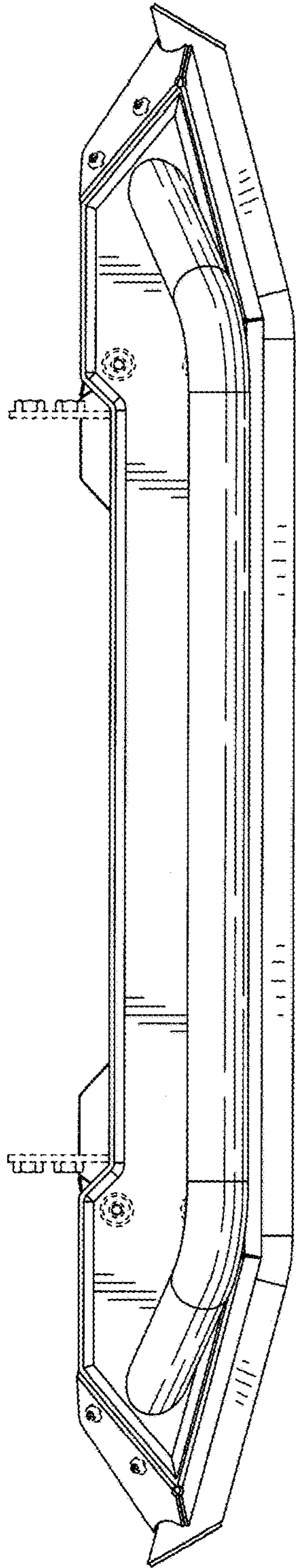


FIG. 2

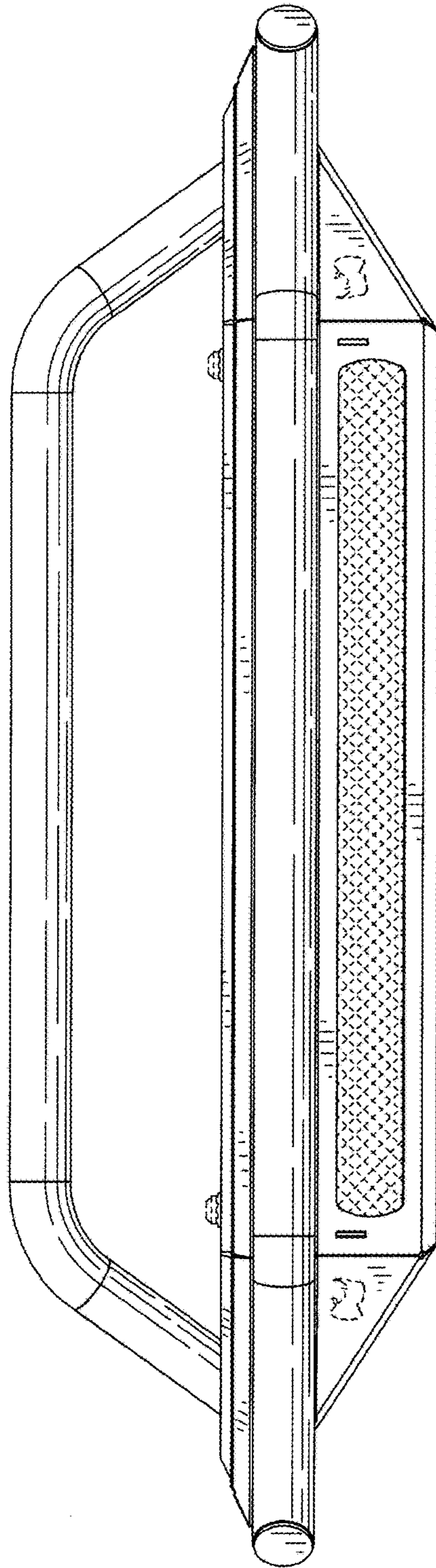


FIG. 3

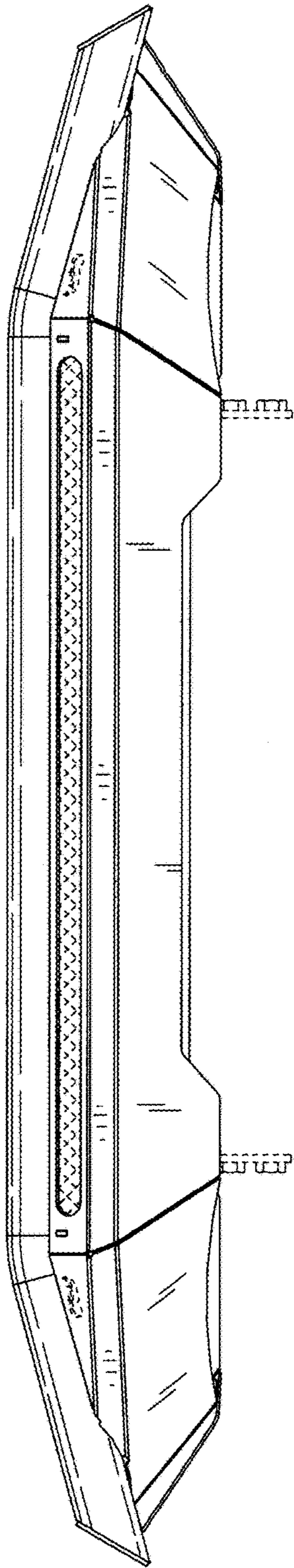


FIG. 4

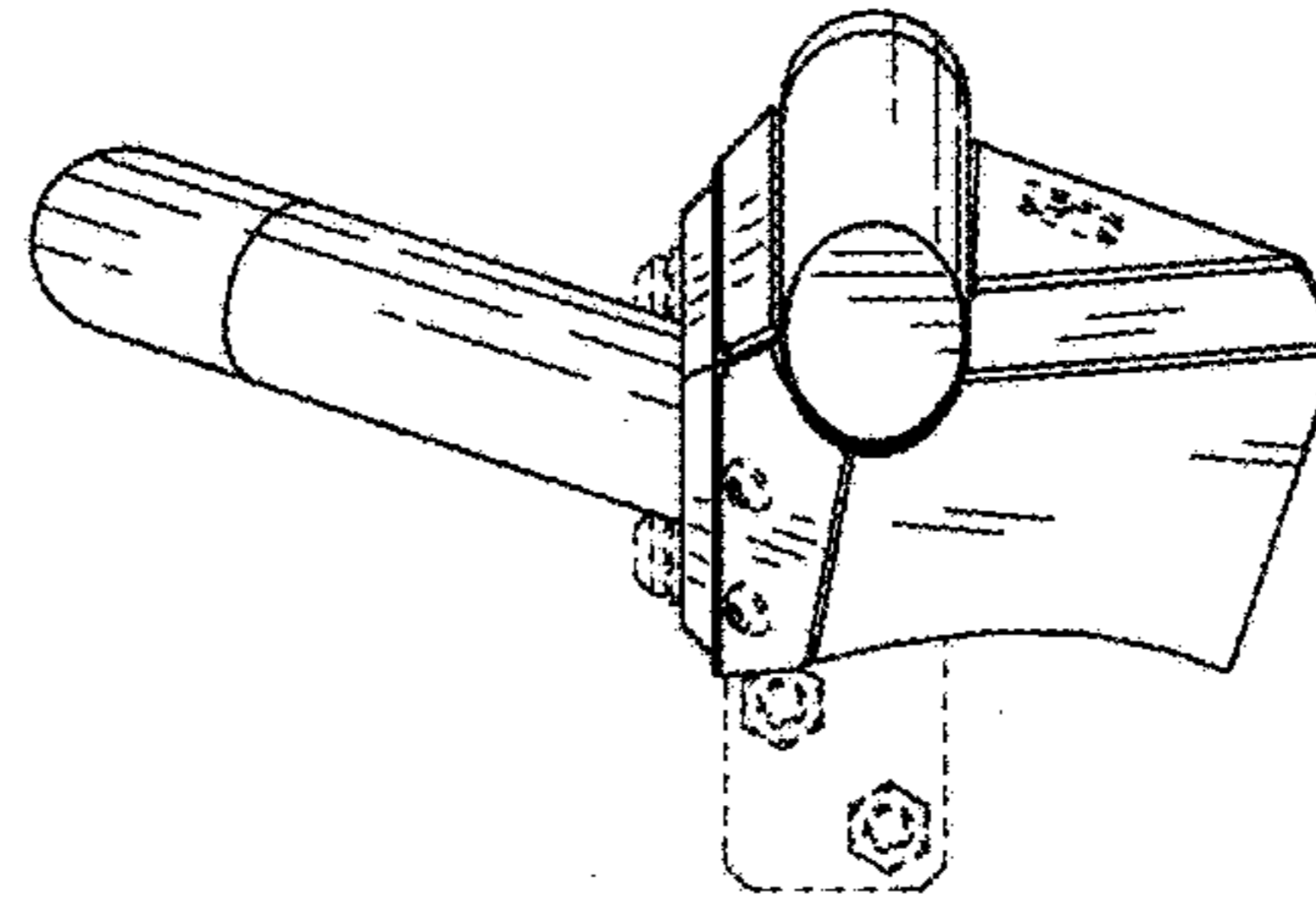


FIG. 5

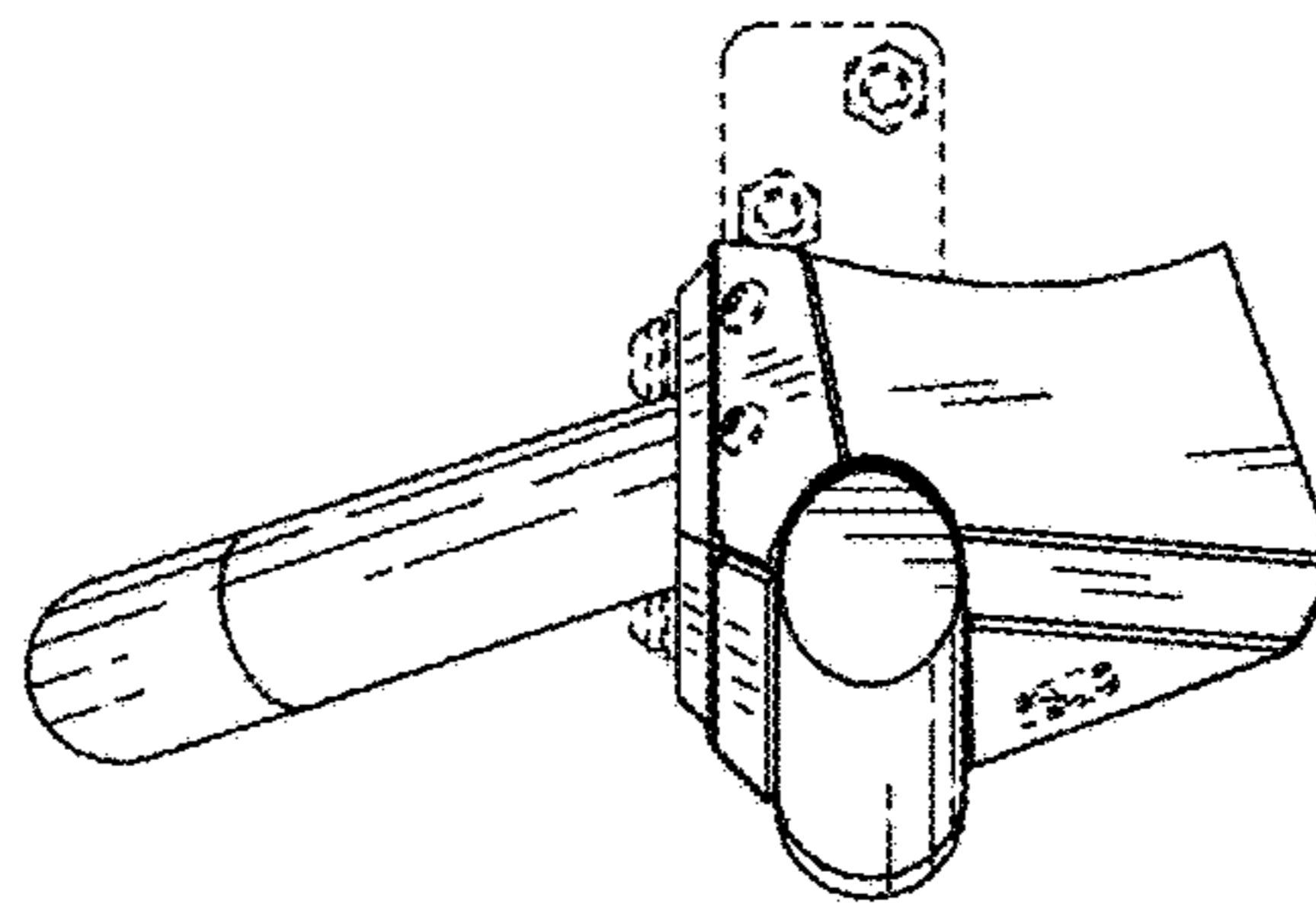


FIG. 6

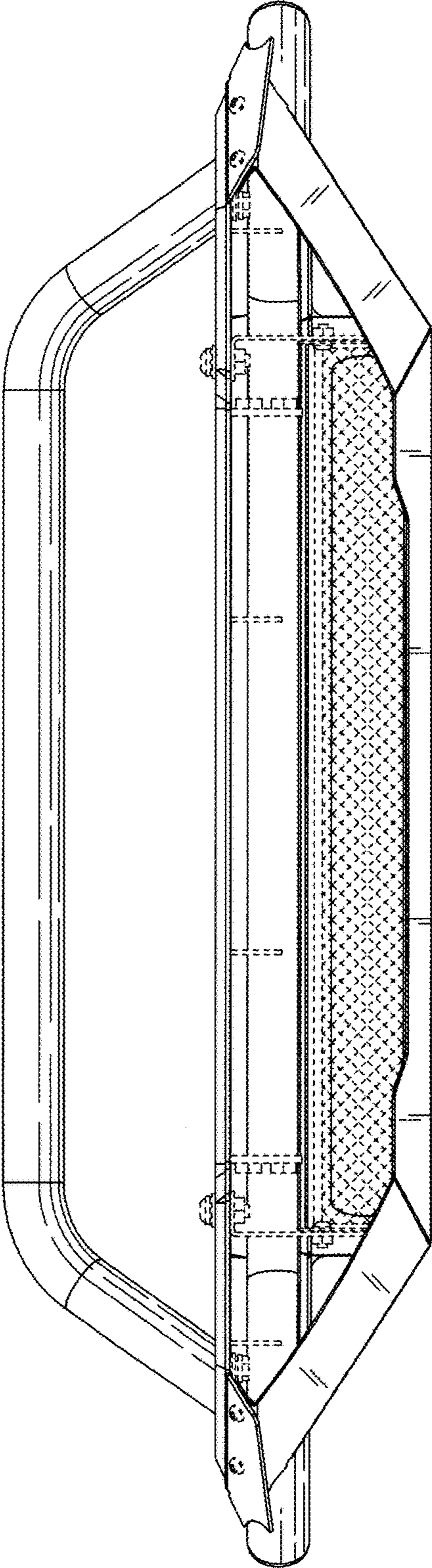


FIG. 7

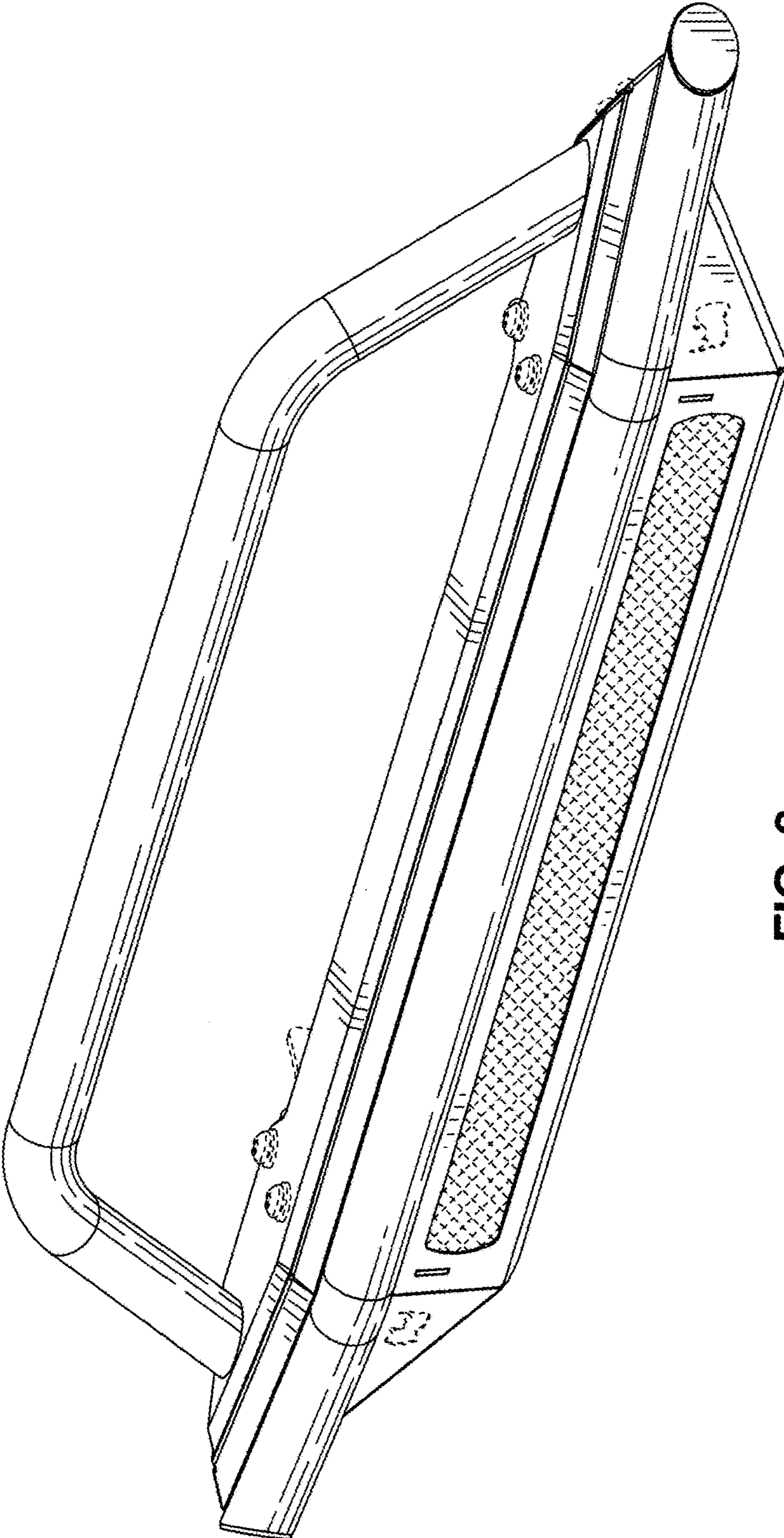


FIG. 8



FIG. 9

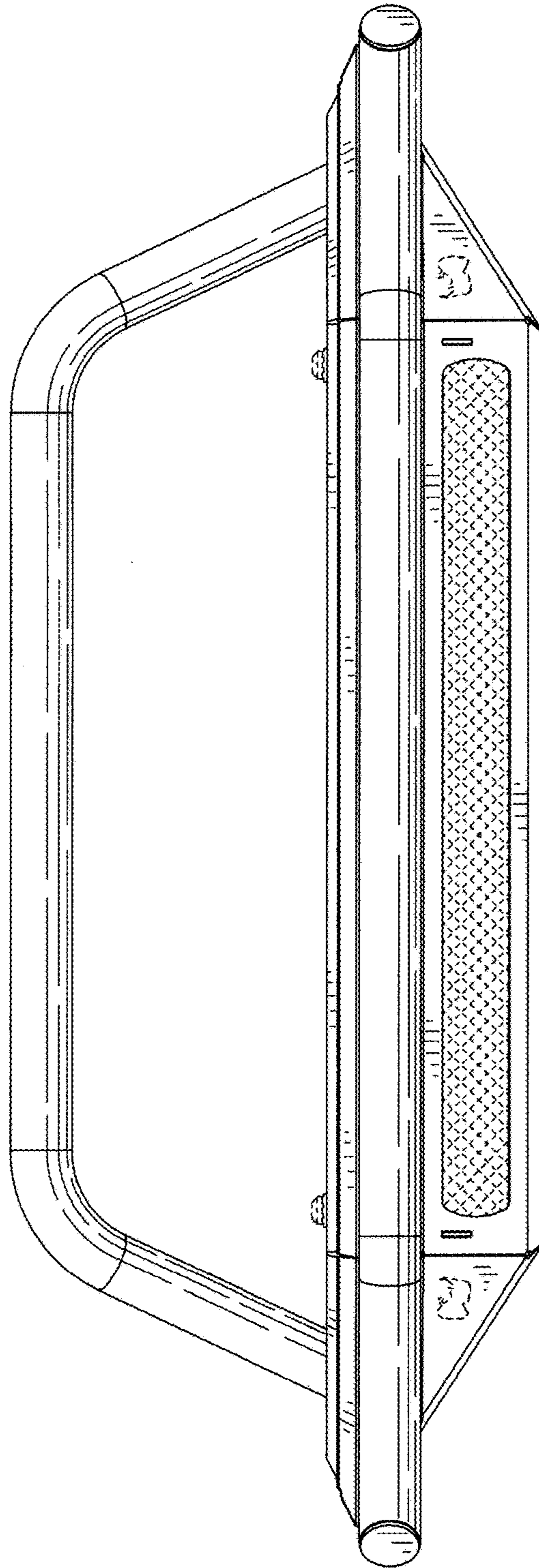


FIG. 10

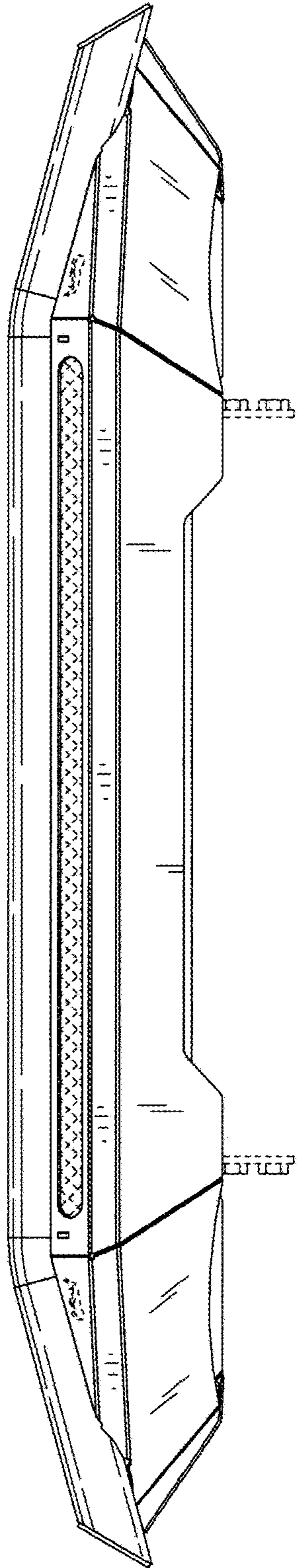


FIG. 11

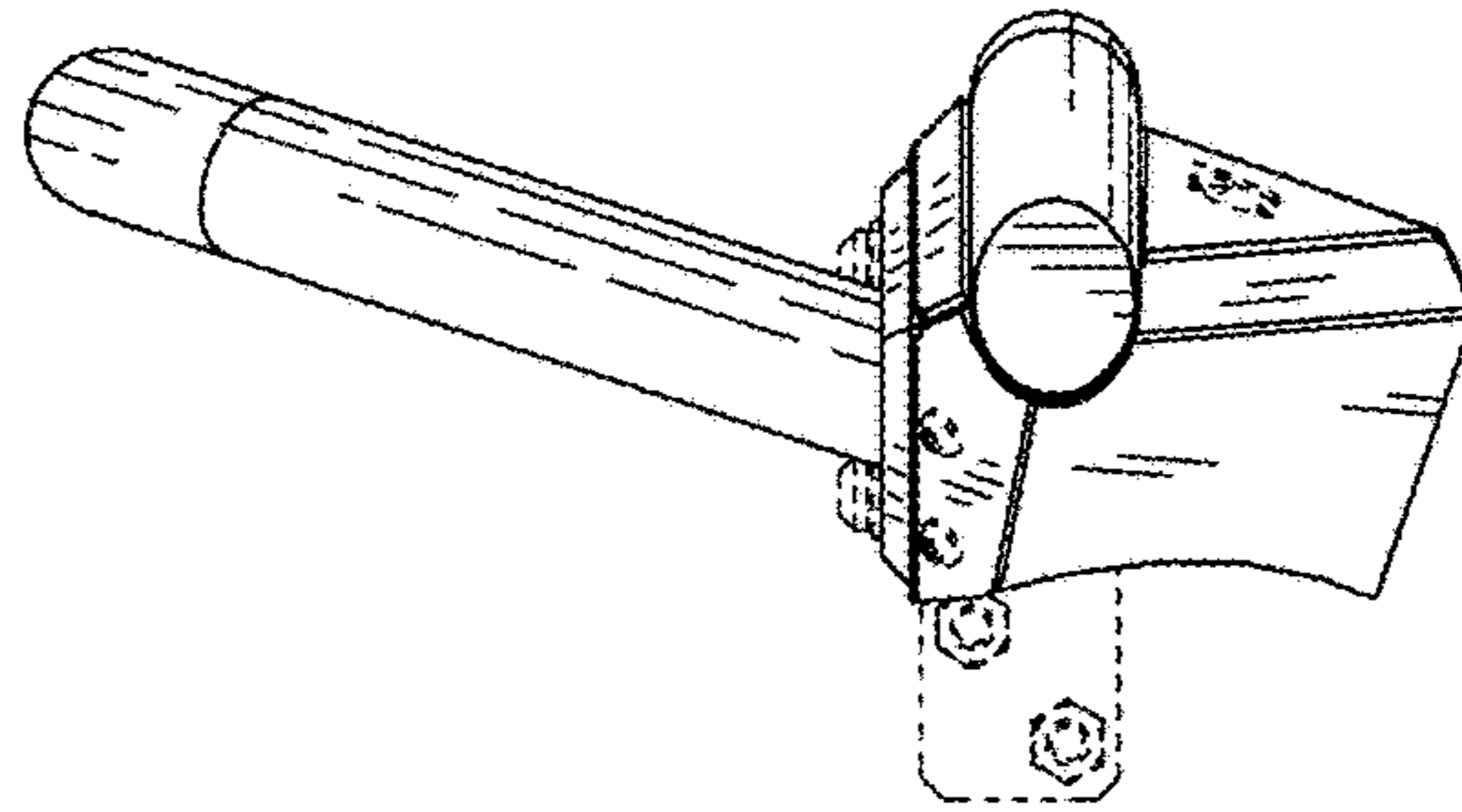


FIG. 13

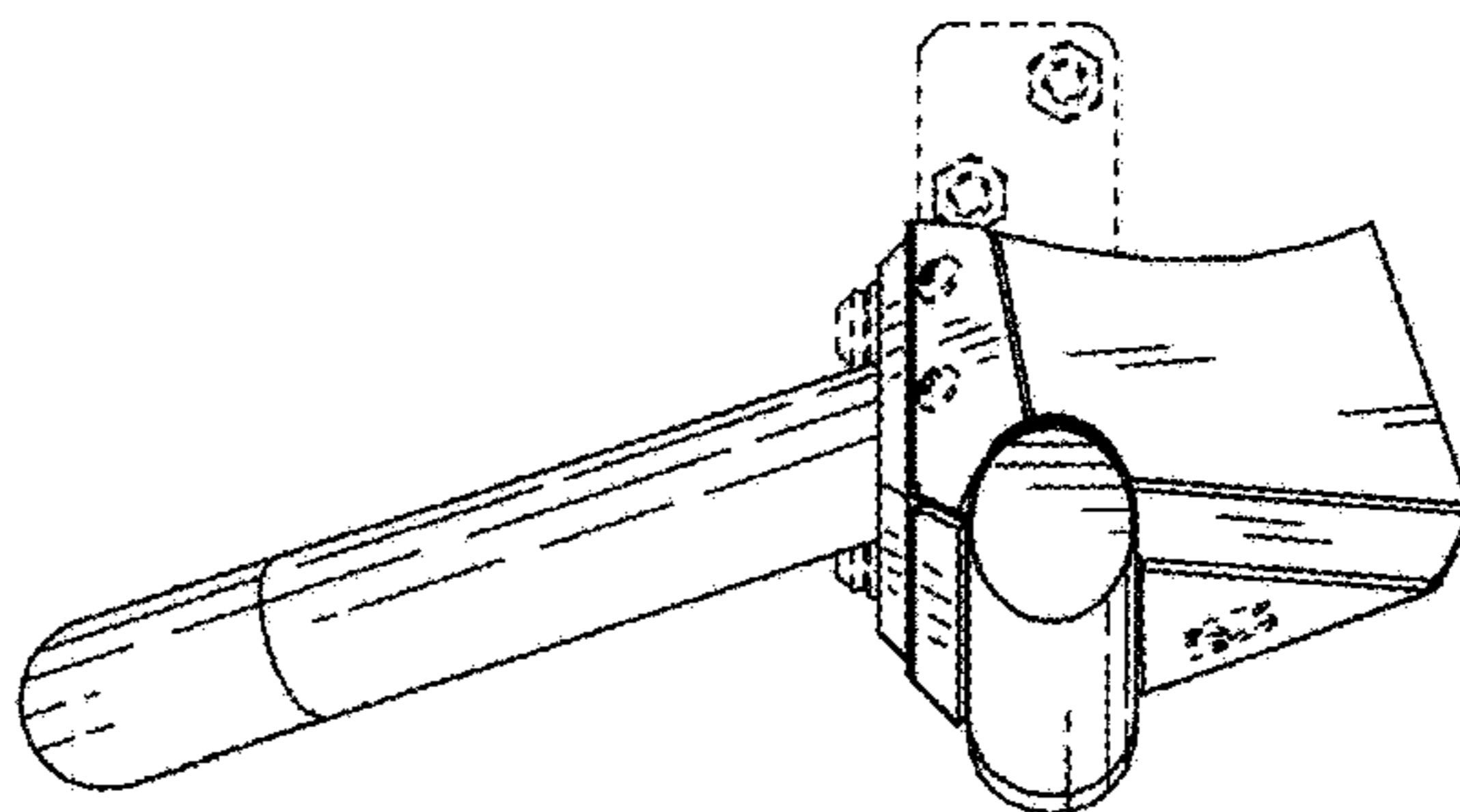


FIG. 12

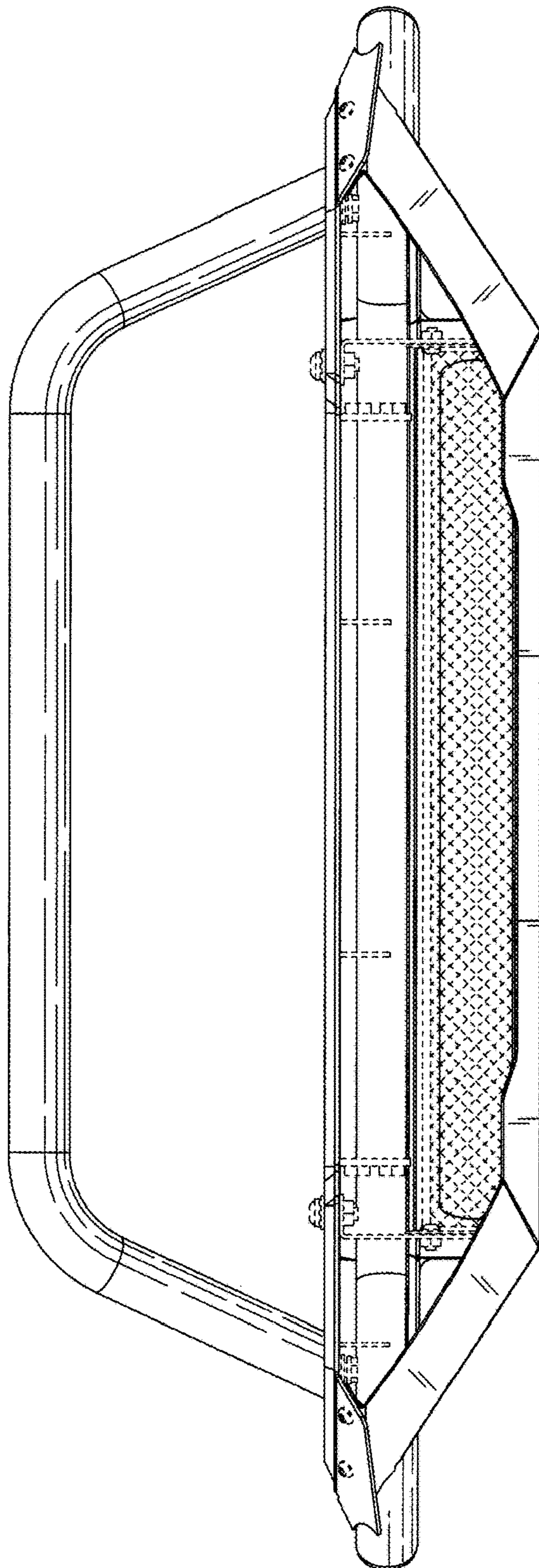


FIG. 14