



US00D840561S

(12) **United States Design Patent**
Ford

(10) **Patent No.:** **US D840,561 S**

(45) **Date of Patent:** **** Feb. 12, 2019**

(54) **BOAT BEACON**

(71) Applicant: **9609385 CANADA INC.**, Beaconsfield (CA)

(72) Inventor: **Timothy D. F. Ford**, Beaconsfield (CA)

(73) Assignee: **9609385 CANADA INC.**, Beaconsfield (CA)

(**) Term: **15 Years**

(21) Appl. No.: **29/592,370**

(22) Filed: **Jan. 30, 2017**

(30) **Foreign Application Priority Data**

Aug. 1, 2016 (CA) 169696

(51) **LOC (11) Cl.** **26-06**

(52) **U.S. Cl.**
USPC **D26/28**

(58) **Field of Classification Search**
USPC D26/28-36
CPC F21S 48/00; F21S 48/10; F21S 48/115;
F21S 48/225; F21S 48/1233; F21S
48/1266; F21S 48/1388; F21S 48/2268;
F21V 21/04; B60Q 9/13; B60Q 9/135;
B60Q 9/1375

See application file for complete search history.

(56) **References Cited**

U.S. PATENT DOCUMENTS

D515,228 S *	2/2006	Gebhard	D26/28
D532,126 S *	11/2006	Kinzel	D26/28
D544,113 S *	6/2007	Ueda	D26/28
D582,084 S *	12/2008	Gebhard	D26/28

* cited by examiner

Primary Examiner — Marcus A Jackson

(74) *Attorney, Agent, or Firm* — Hugh Mansfield

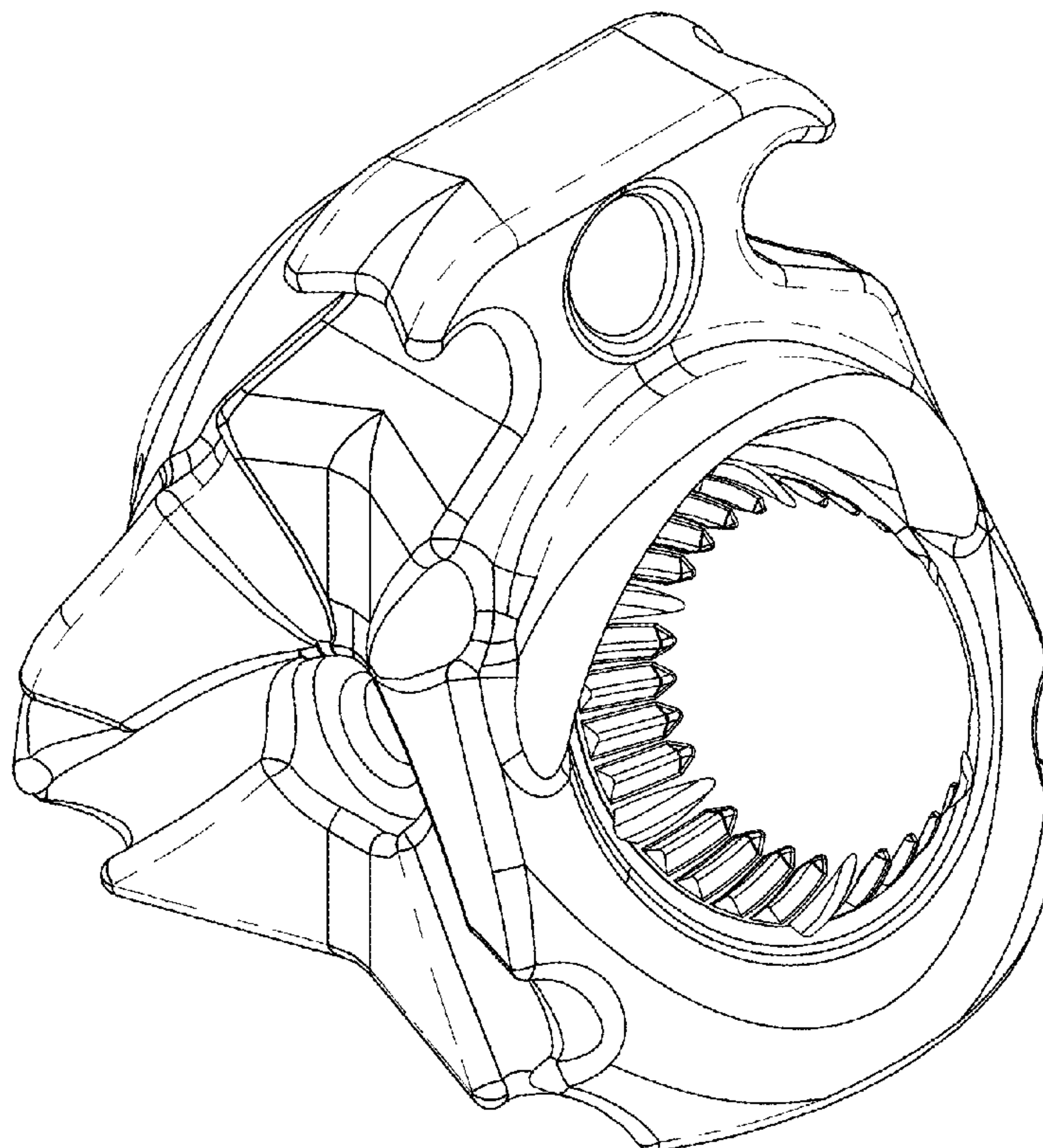
(57) **CLAIM**

The ornamental design for a “boat beacon,” as shown and described.

DESCRIPTION

FIG. 1 is an isometric view of the boat beacon;
FIG. 2 is a reverse isometric view of the boat beacon;
FIG. 3 is a front plan view of the boat beacon;
FIG. 4 is a rear plan view of the boat beacon;
FIG. 5 is a left plan view of the boat beacon;
FIG. 6 is a right plan view of the boat beacon;
FIG. 7 is a top plan view of the boat beacon; and,
FIG. 8 is a bottom plan view of the boat beacon.
The broken lines do not form part of the claimed design.

1 Claim, 8 Drawing Sheets



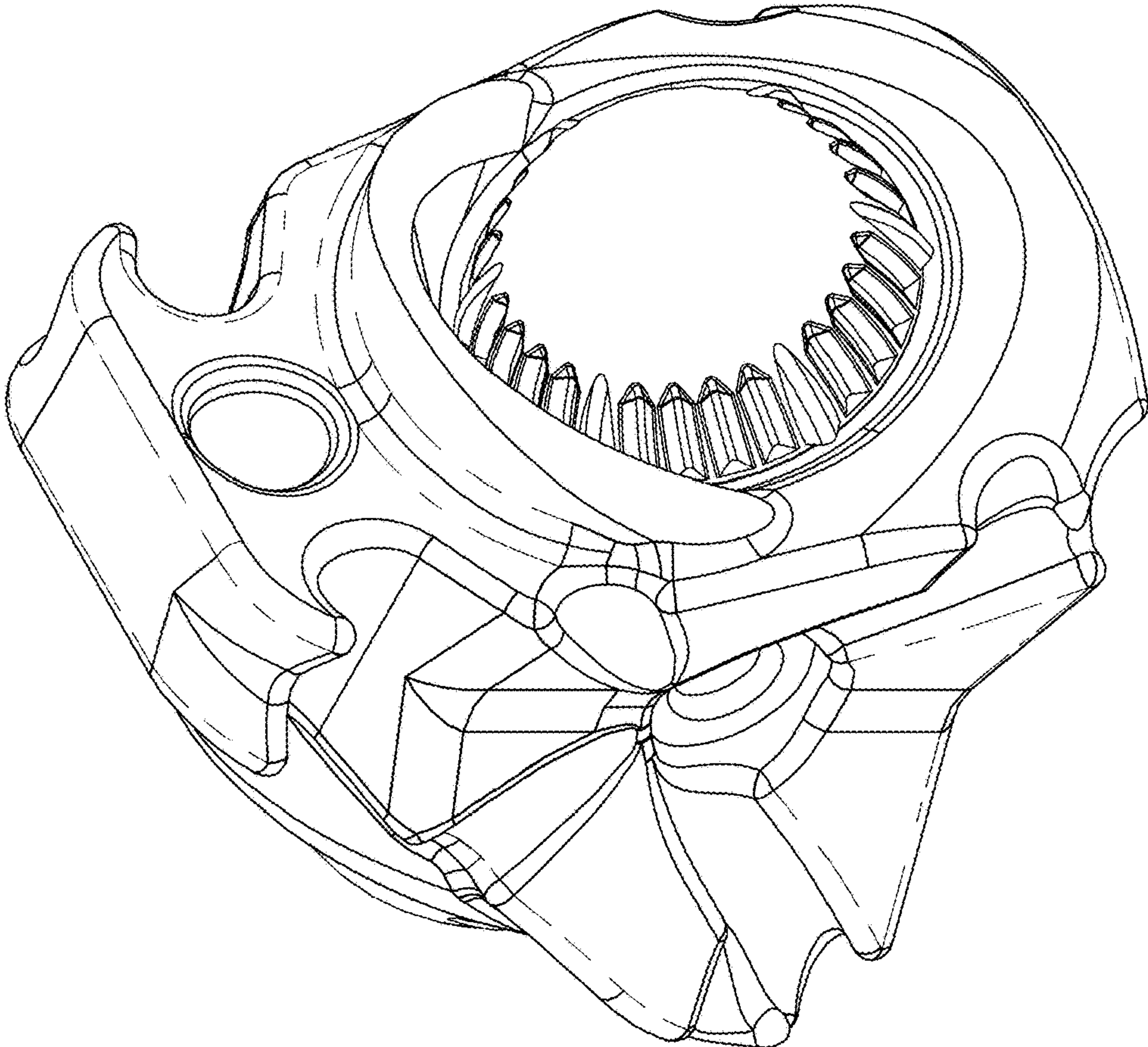


Fig. 1

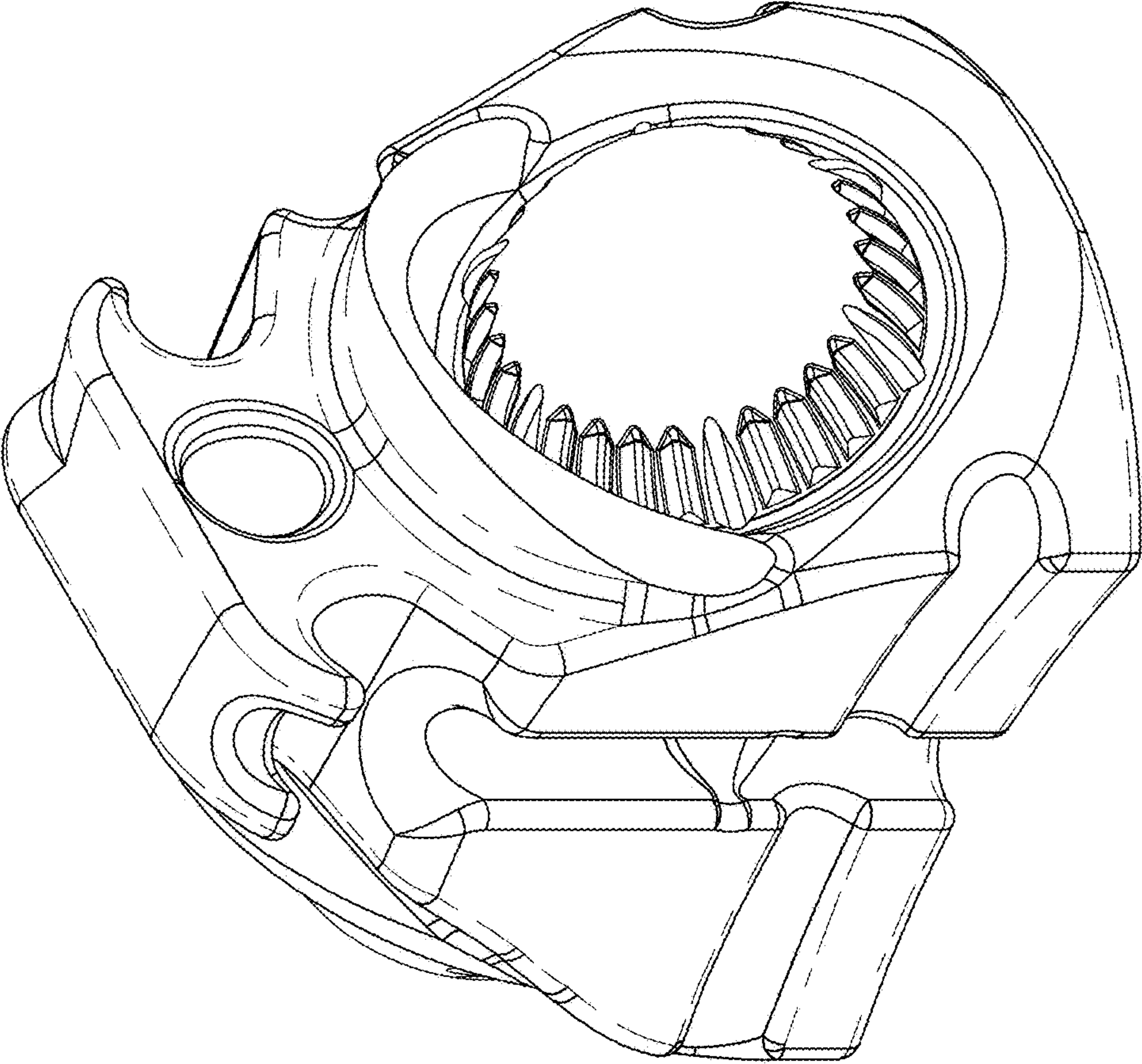


FIG. 2

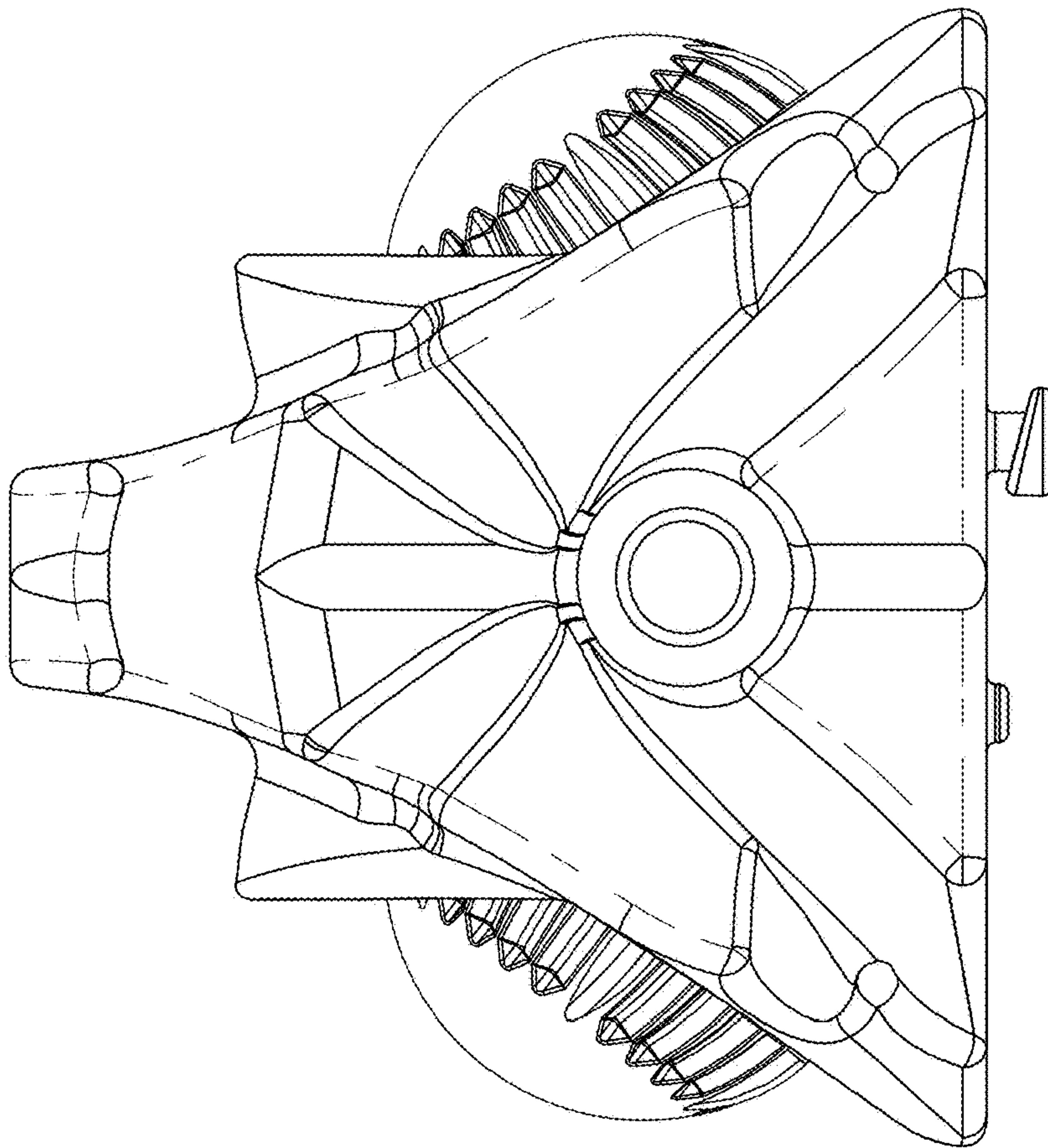


FIG-3

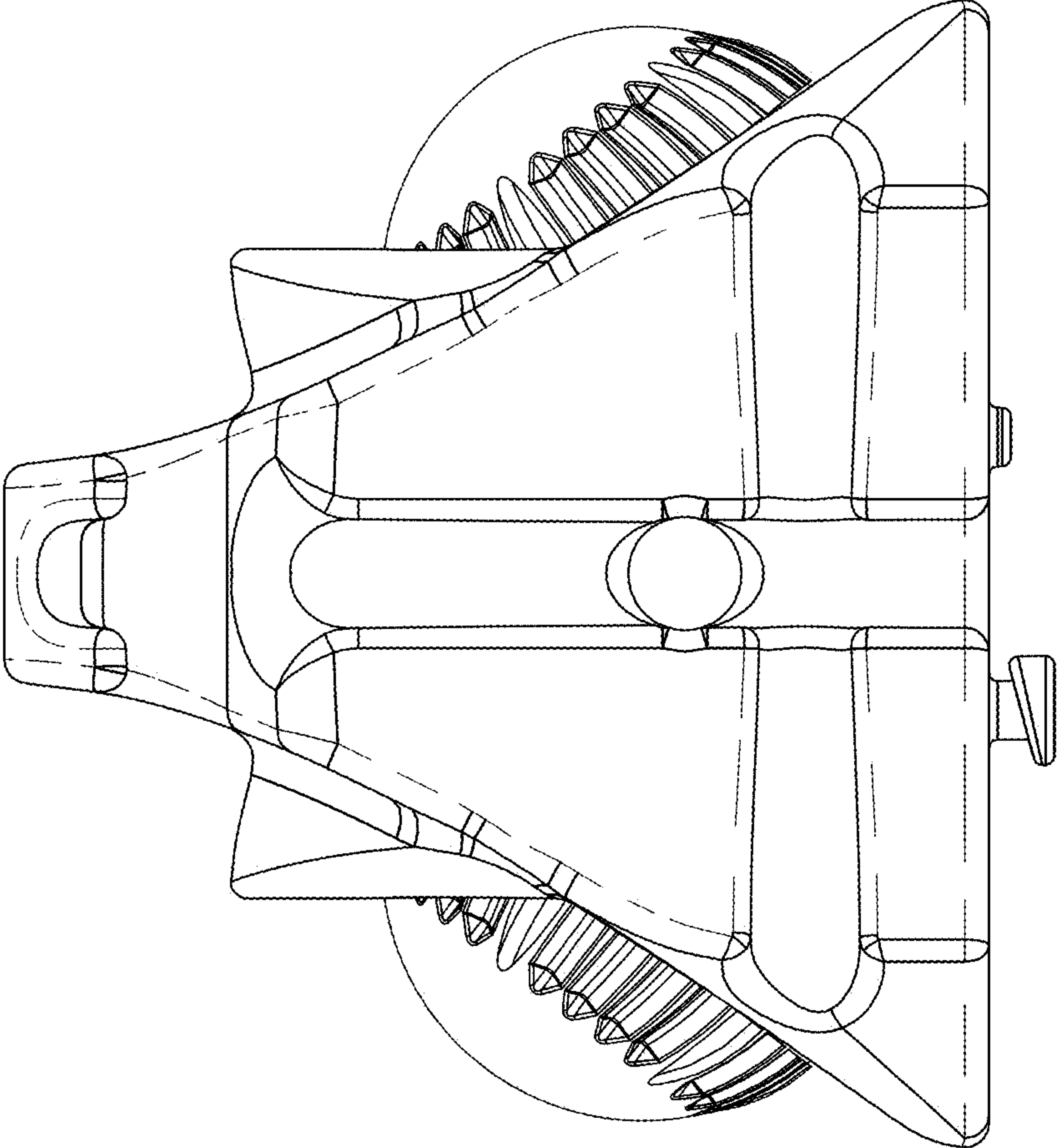


FIG-4

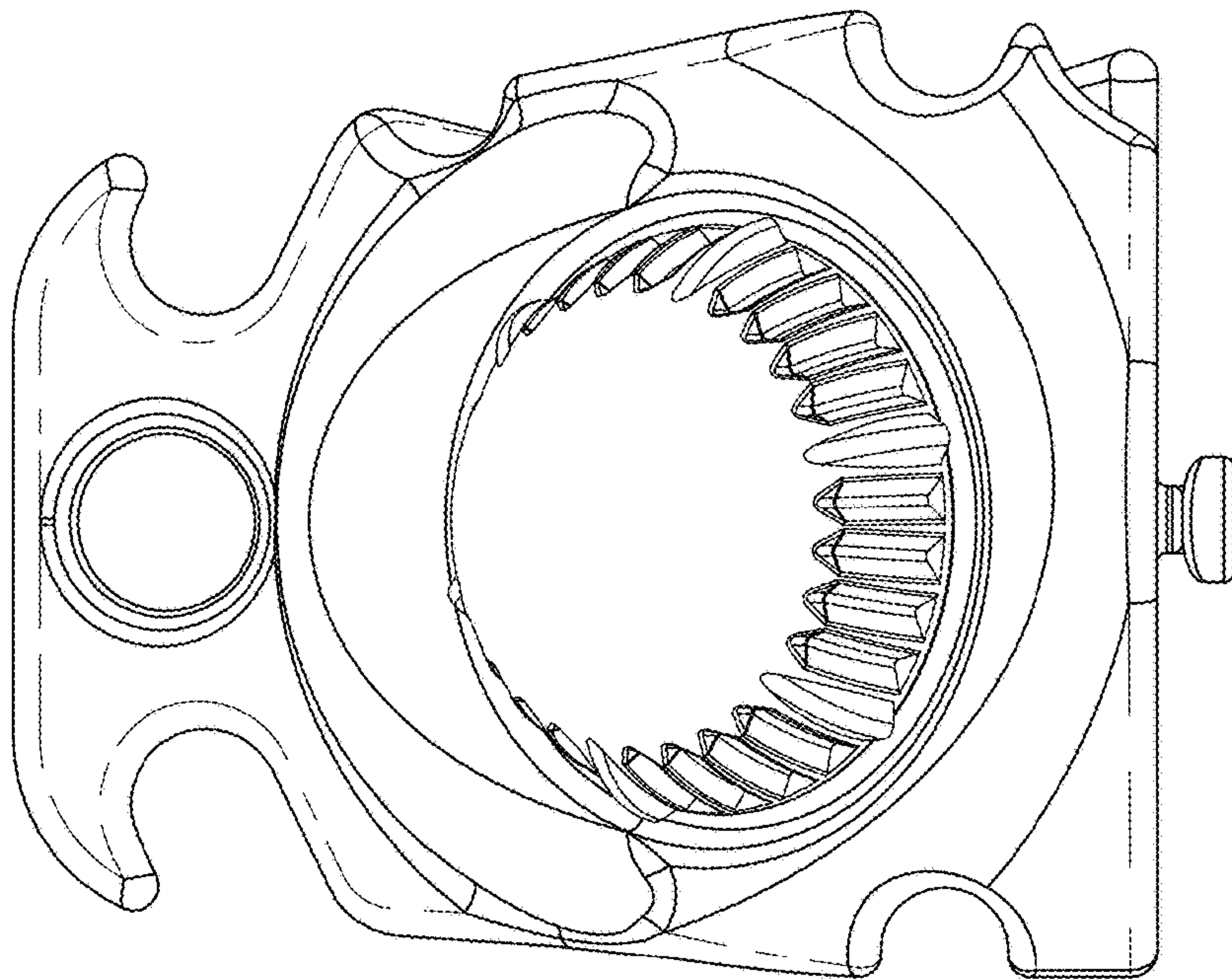


FIG-5

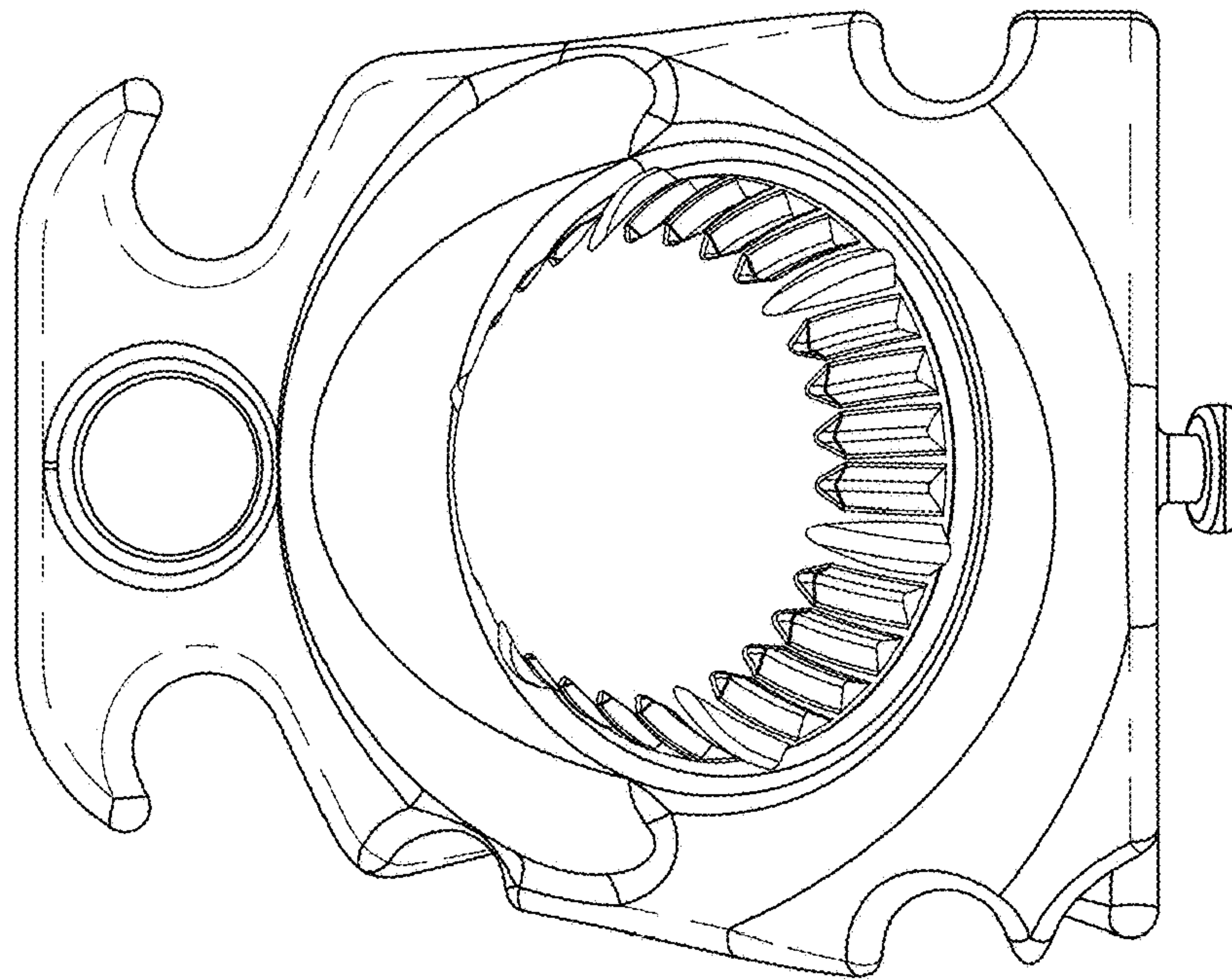


Fig. 6

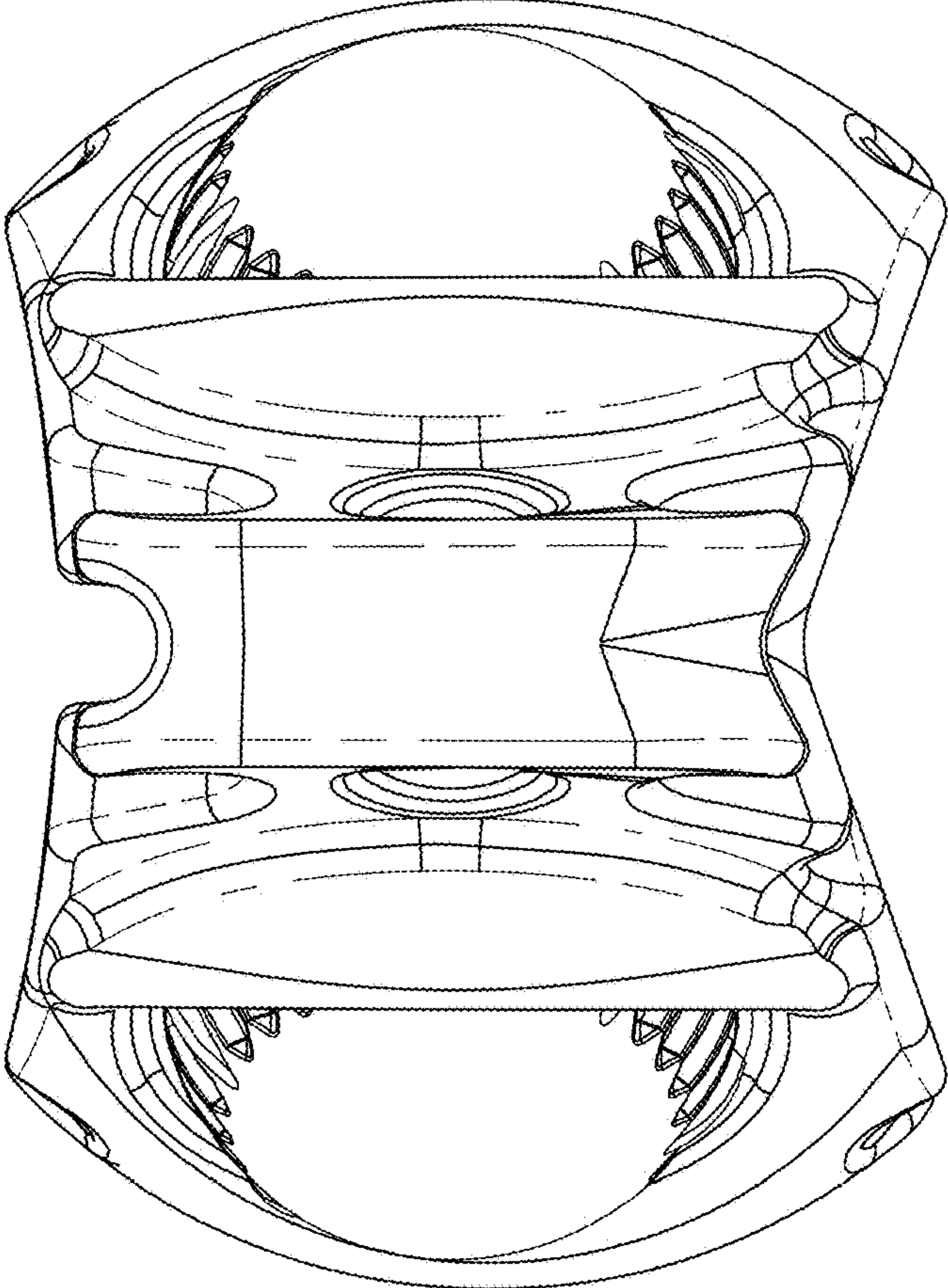


FIG. 7

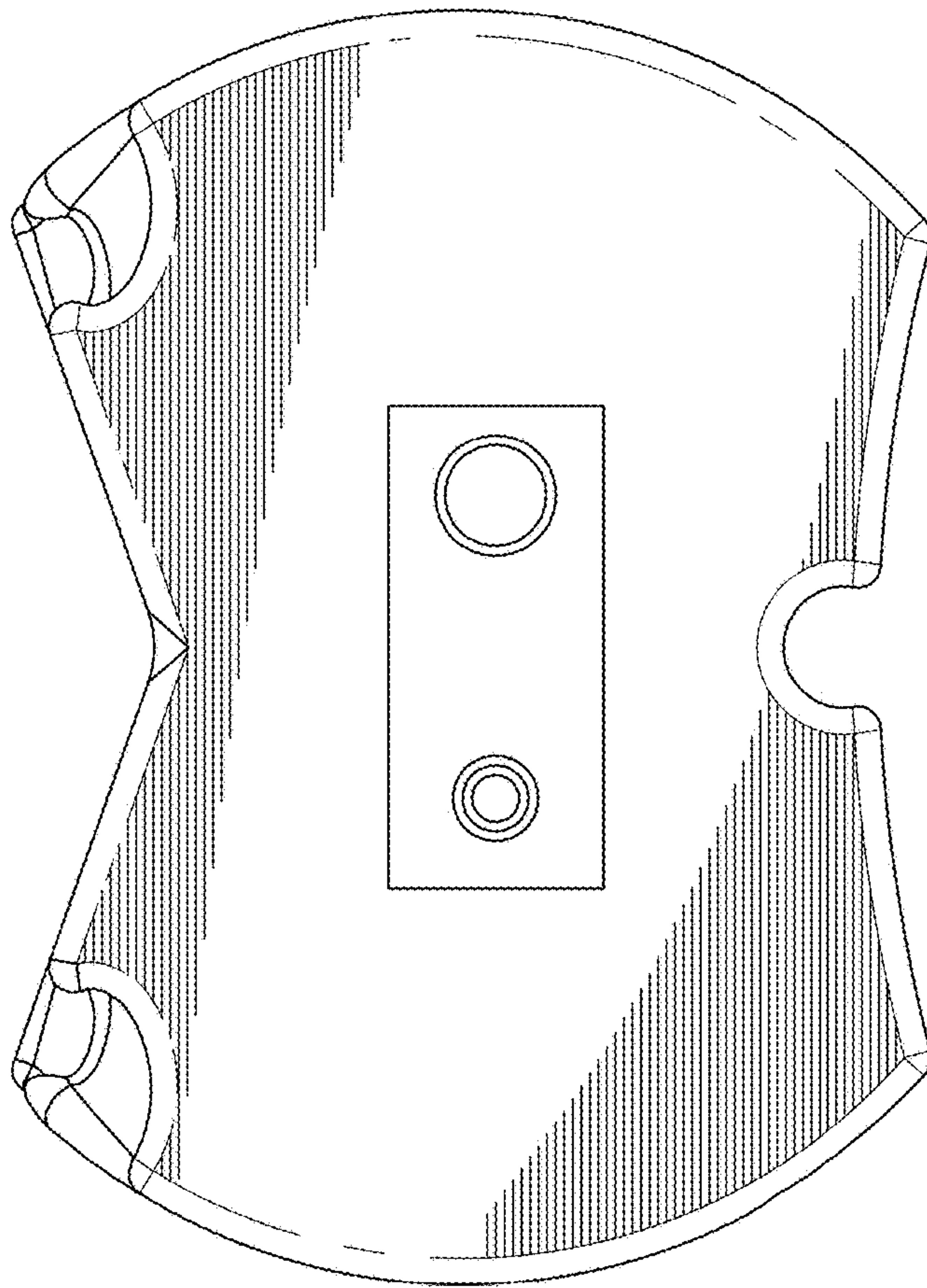


Fig. 8