



US00D840557S

(12) **United States Design Patent**
Guo

(10) **Patent No.:** **US D840,557 S**

(45) **Date of Patent:** **** Feb. 12, 2019**

(54) **LED WATER RIPPLE LIGHT**

(71) Applicant: **Haifan Guo**, Haifeng Guangdong (CN)

(72) Inventor: **Haifan Guo**, Haifeng Guangdong (CN)

(**) Term: **15 Years**

(21) Appl. No.: **29/604,321**

(22) Filed: **May 17, 2017**

(51) **LOC (11) Cl.** **26-04**

(52) **U.S. Cl.**
USPC **D26/2**

(58) **Field of Classification Search**
USPC D26/1-4
CPC H01R 5/00; H01R 13/46; H01R 13/514;
H01R 31/048; H01R 31/02; H01J 5/00;
H01J 5/16; H01J 15/00; H01J 5/48; H01J
5/50; H01J 19/54; F21V 21/04
See application file for complete search history.

(56) **References Cited**

U.S. PATENT DOCUMENTS

D531,741 S * 11/2006 Takahashi D26/2
D534,665 S * 1/2007 Egawa D26/2

D538,950 S * 3/2007 Maxik D26/2
D538,953 S * 3/2007 Mama D26/2
D725,802 S * 3/2015 Kuo D26/2

* cited by examiner

Primary Examiner — Marcus A Jackson

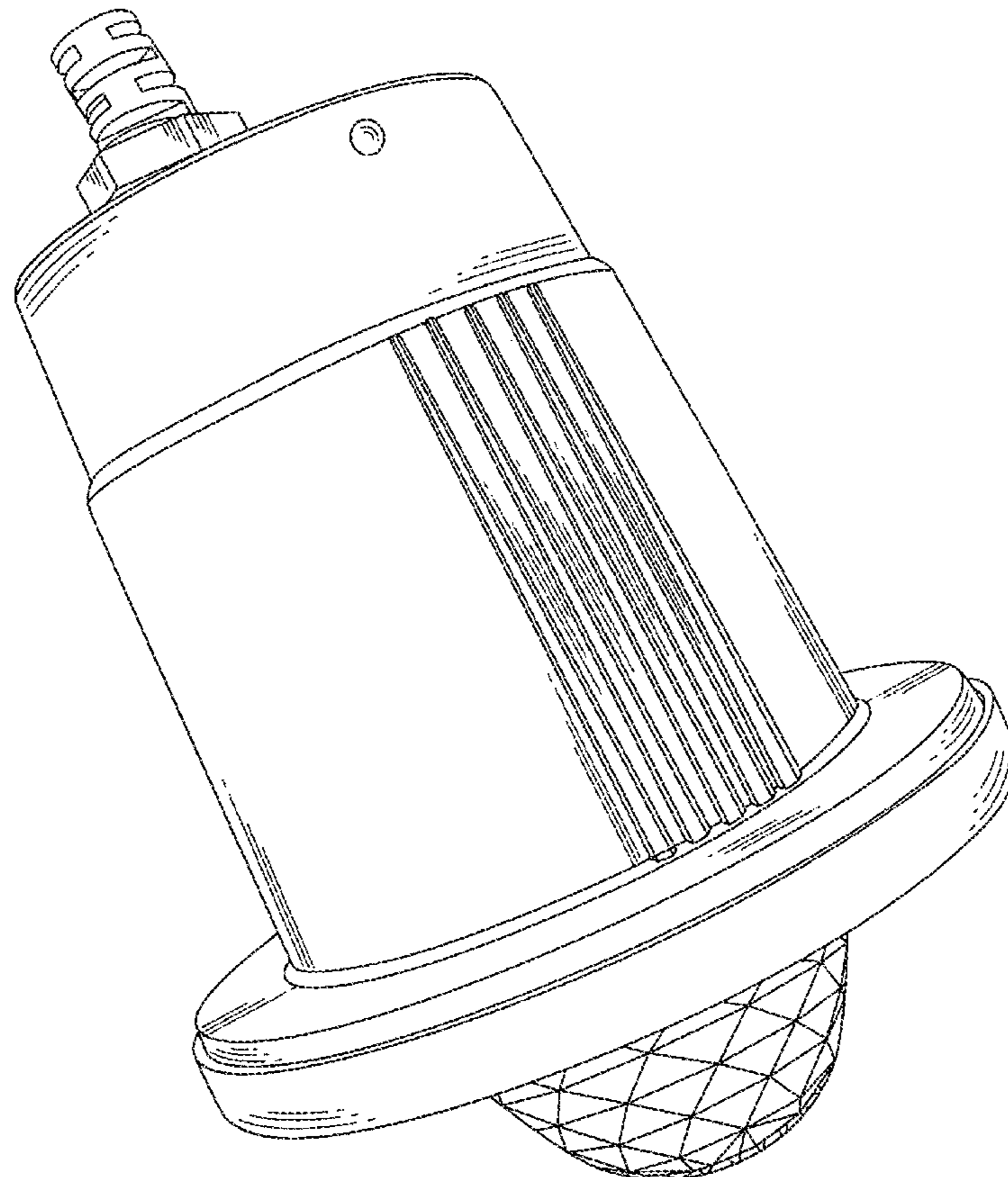
(57) **CLAIM**

The ornamental design for LED water ripple light, as shown and described.

DESCRIPTION

FIG. 1 is a perspective view of LED water ripple light showing my new design;
FIG. 2 is a front elevational view thereof;
FIG. 3 is a rear elevational view thereof;
FIG. 4 is a left side elevational view thereof;
FIG. 5 is a right side elevational view thereof;
FIG. 6 is a top plan view thereof; and,
FIG. 7 is a bottom plan view thereof.

1 Claim, 7 Drawing Sheets



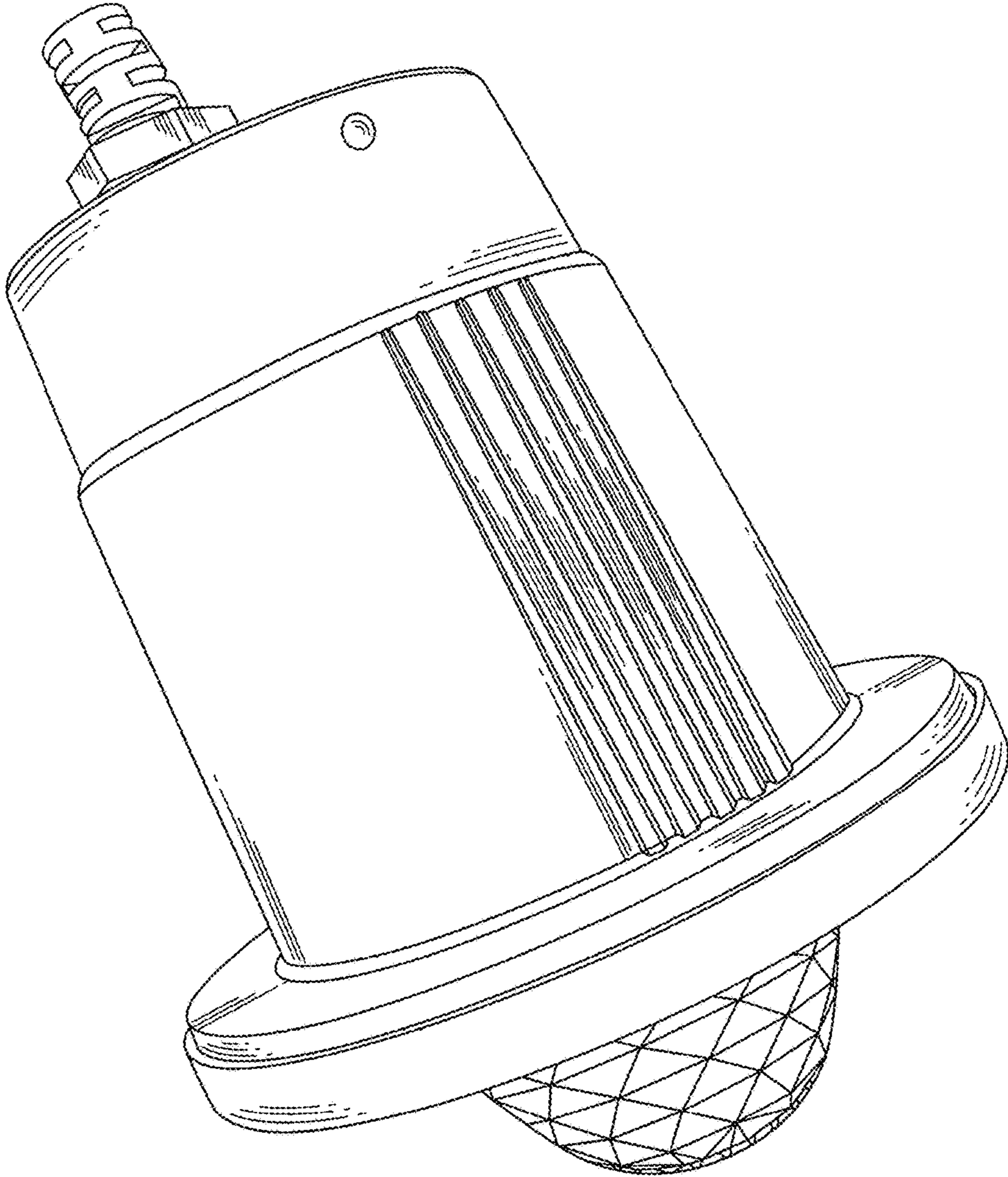


FIG. 1

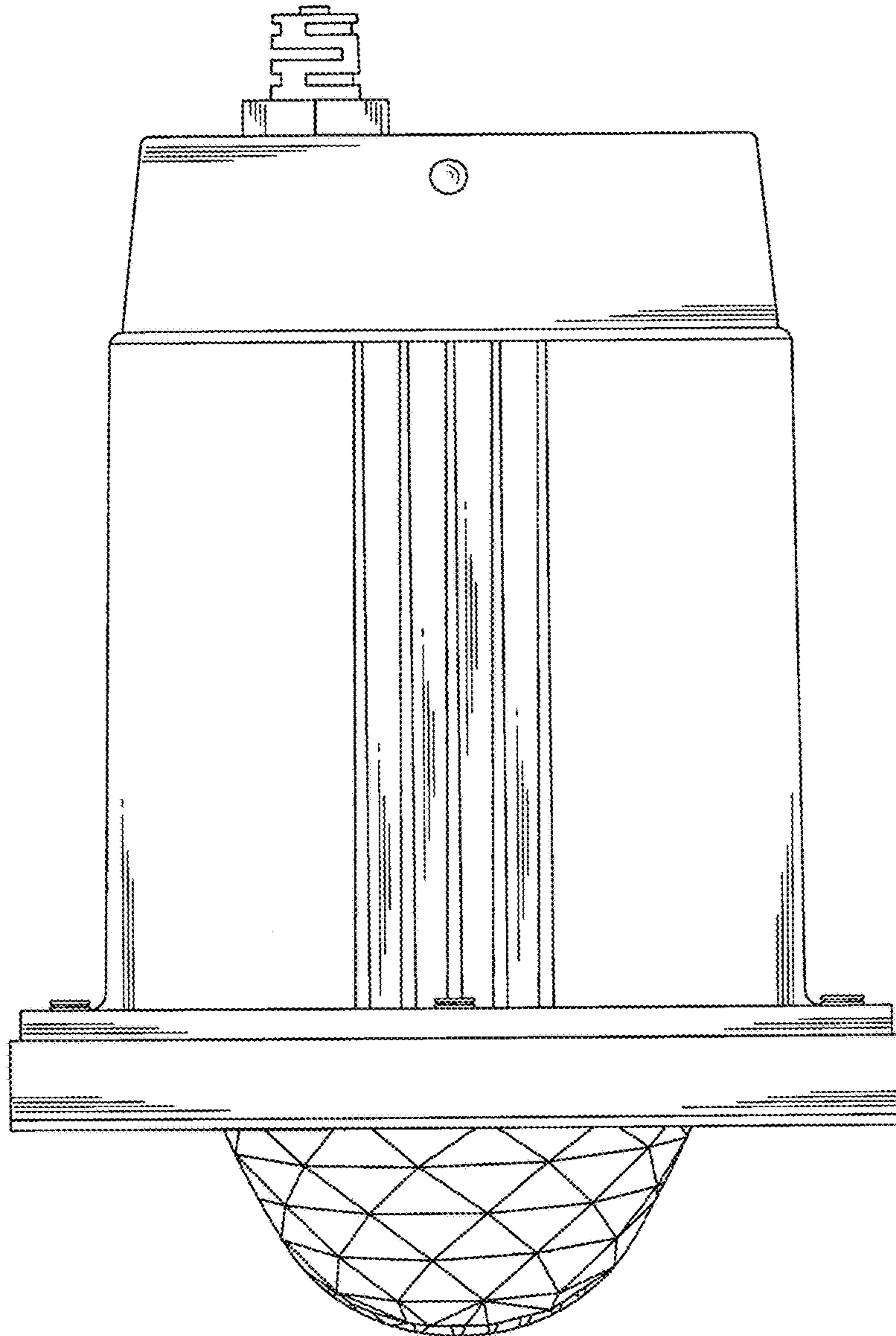


FIG. 2

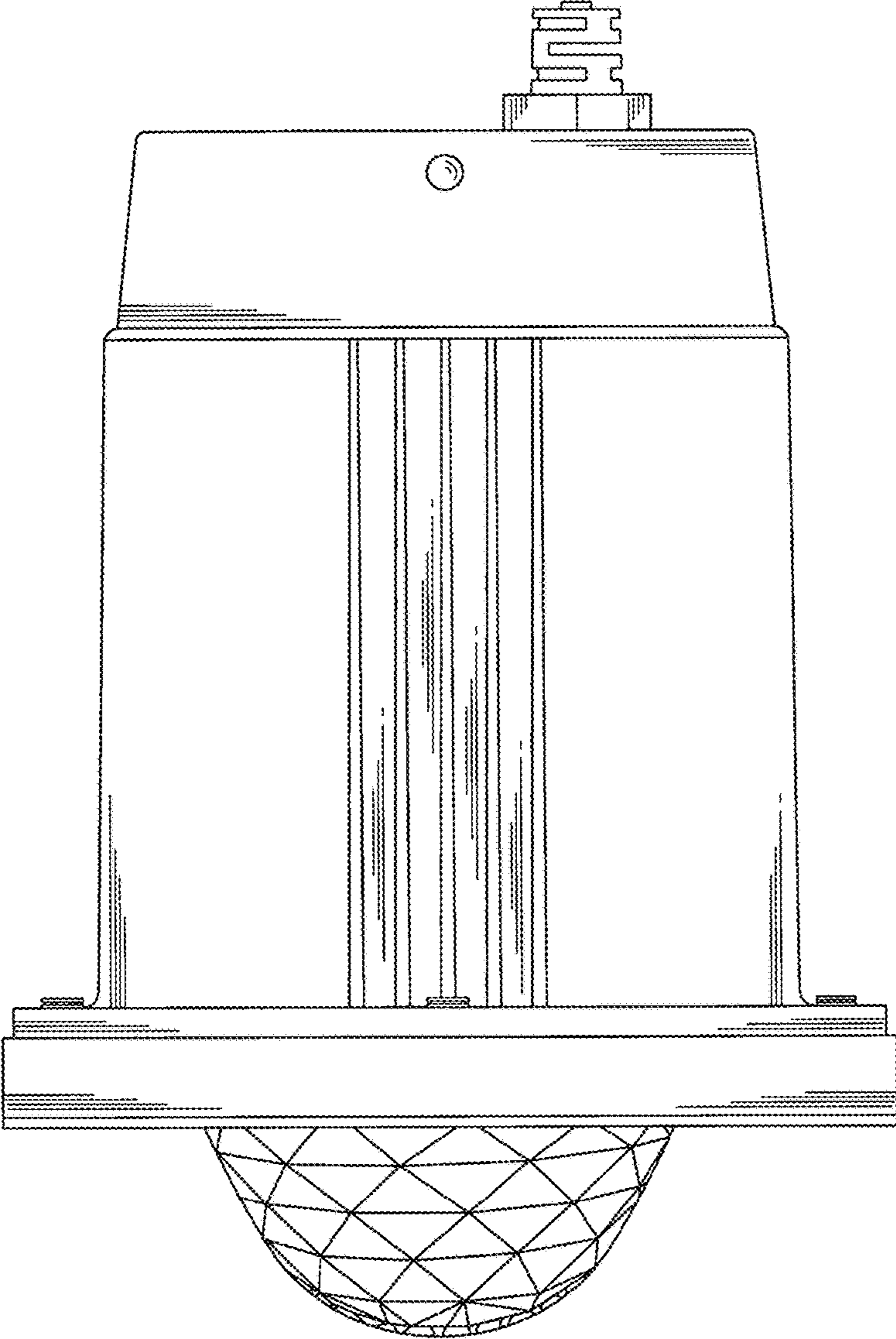


FIG. 3

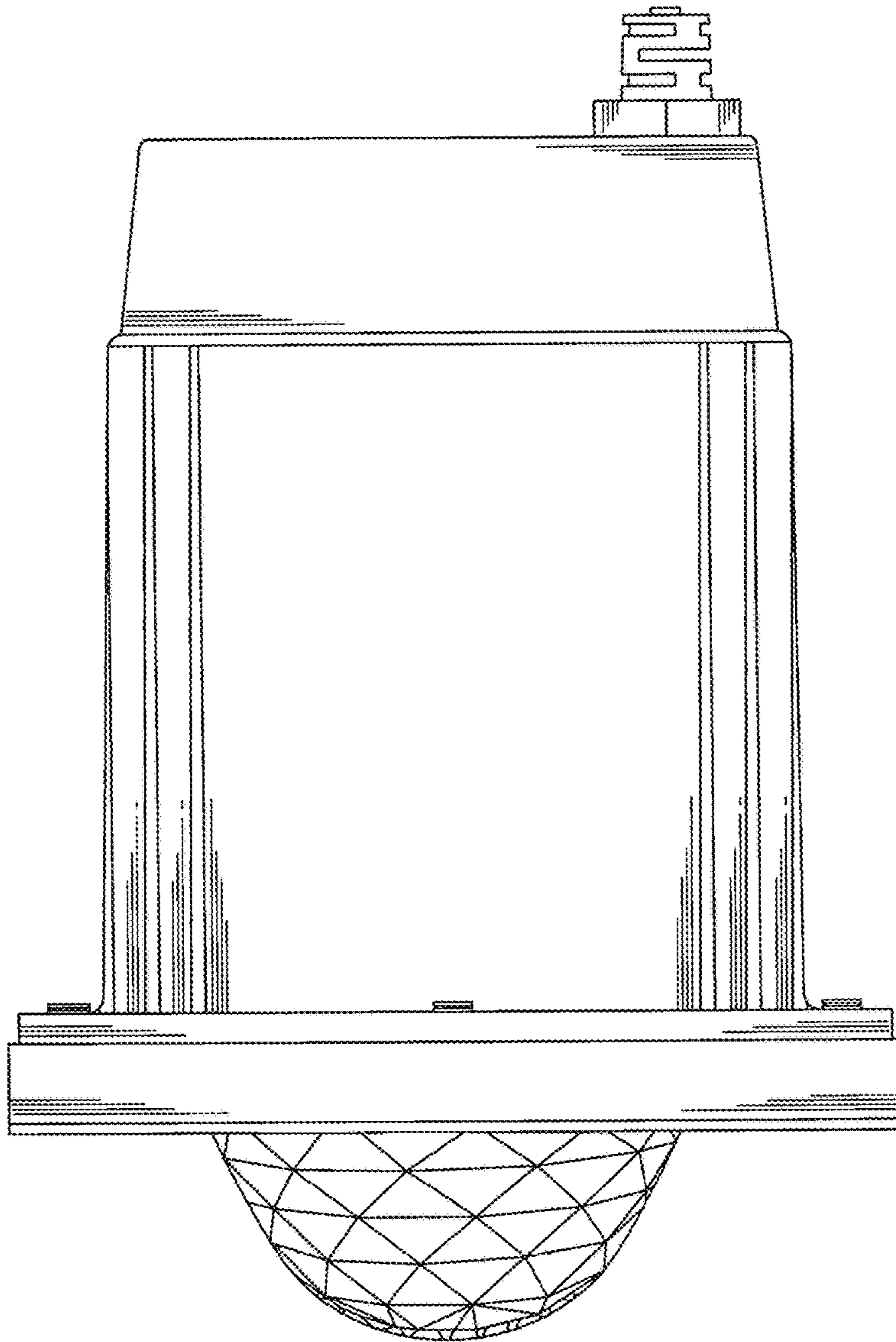


FIG. 4

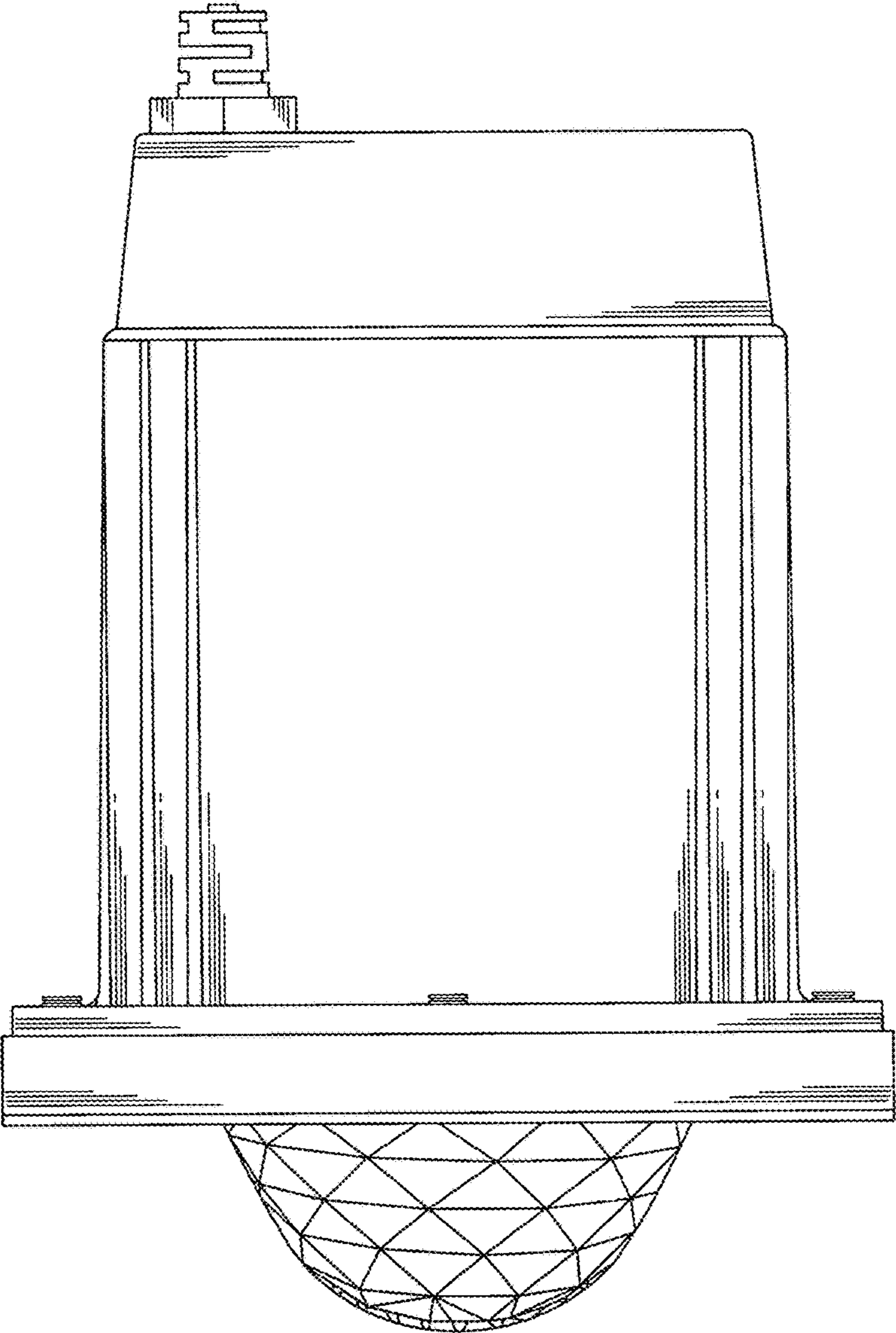


FIG. 5

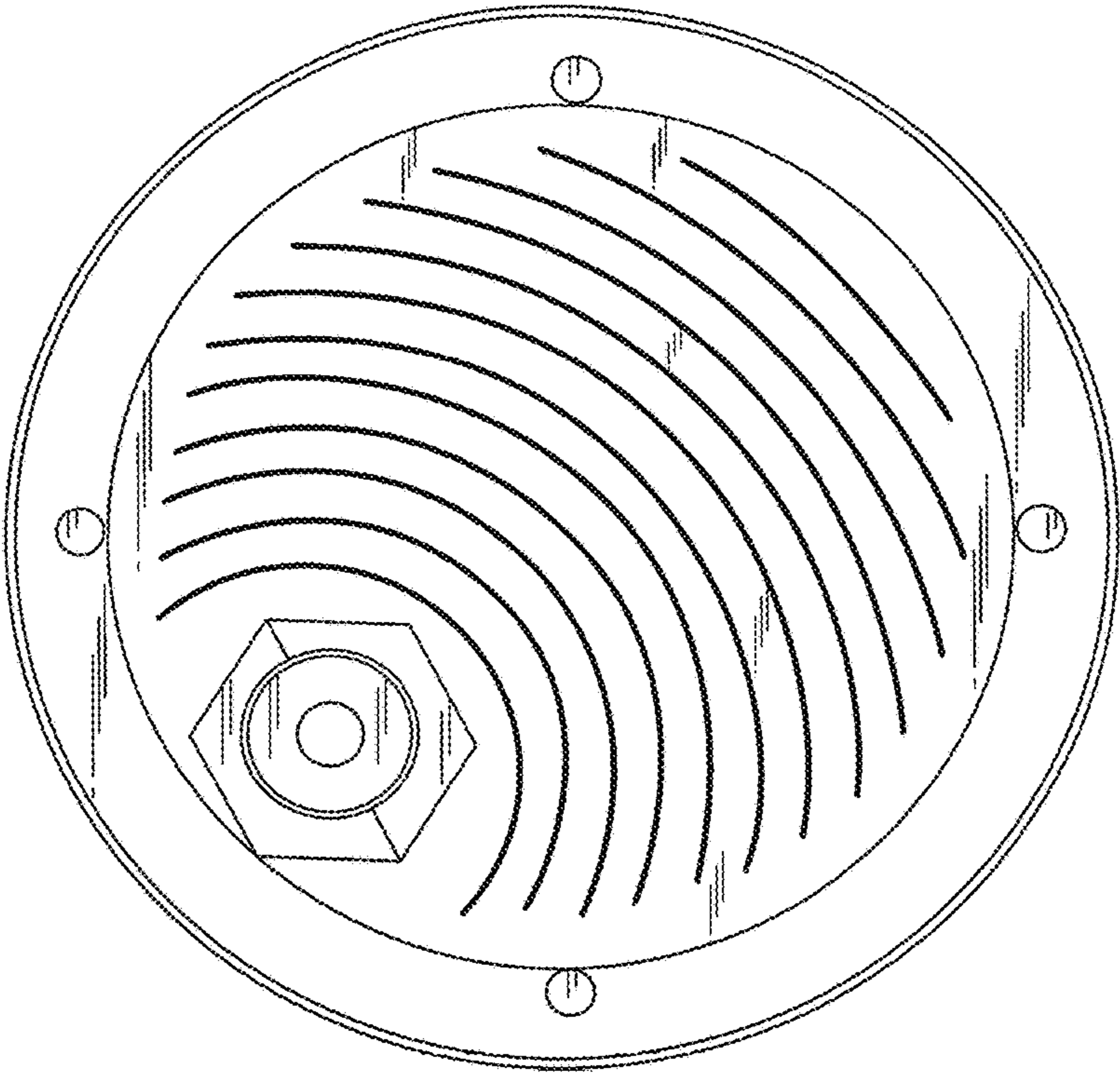


FIG. 6

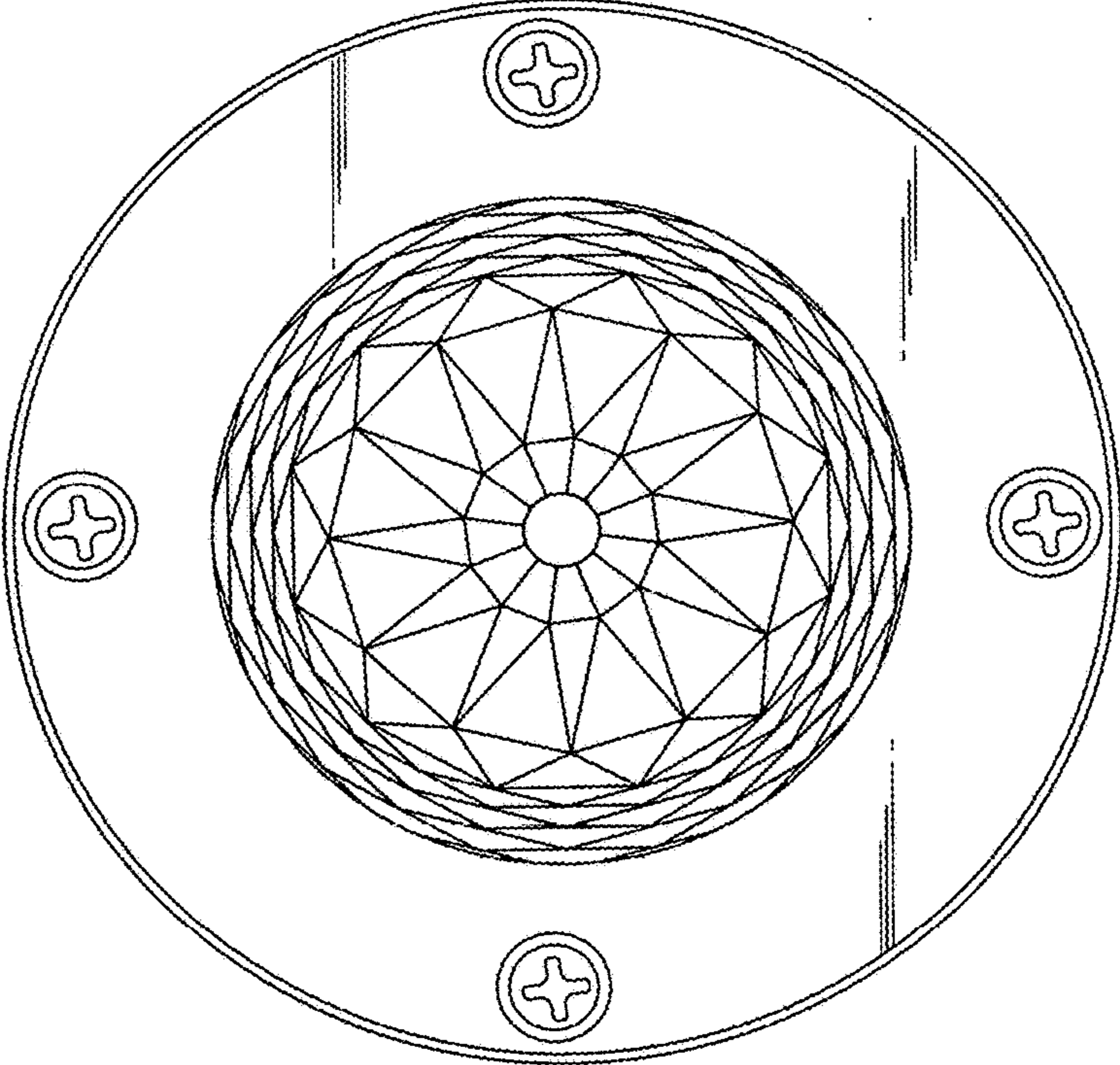


FIG. 7