



US00D840556S

(12) **United States Design Patent** (10) **Patent No.:** **US D840,556 S**
Kiridoshi et al. (45) **Date of Patent:** **** Feb. 12, 2019**

(54) **LIGHT SOURCE MODULE WITH WATERPROOFING FILM**

- (71) Applicant: **Mitsubishi Electric Corporation**,
Tokyo (JP)
- (72) Inventors: **Satoru Kiridoshi**, Tokyo (JP);
Tsuyoshi Tanabe, Tokyo (JP); **Sohei Samejima**, Tokyo (JP); **Hironobu Kawaguchi**, Tokyo (JP)
- (73) Assignee: **Mitsubishi Electric Corporation**,
Tokyo (JP)
- (**) Term: **15 Years**
- (21) Appl. No.: **29/655,939**
- (22) Filed: **Jul. 9, 2018**

Related U.S. Application Data

- (62) Division of application No. 29/583,591, filed on Nov. 7, 2016.

(30) **Foreign Application Priority Data**

May 11, 2016 (JP) 2016-010014
 May 11, 2016 (JP) 2016-010015

- (51) **LOC (11) Cl.** **26-04**

- (52) **U.S. Cl.**
USPC **D26/1**

(58) **Field of Classification Search**

USPC D26/1-4
 CPC H01R 5/00; H01R 13/46; H01R 13/514;
 H01R 31/048; H01R 31/02; H01J 5/00;
 H01J 5/16; H01J 15/00; H01J 5/48; H01J
 5/50; H01J 19/54; F21V 5/00

See application file for complete search history.

(56) **References Cited**

U.S. PATENT DOCUMENTS

D562,473 S *	2/2008	Matsui	D26/1
D570,506 S *	6/2008	Uemoto	D26/1
D665,105 S	8/2012	Betsuda et al.	
D747,008 S *	1/2016	Kim	D26/1

* cited by examiner

Primary Examiner — Marcus A Jackson

(74) *Attorney, Agent, or Firm* — Studebaker & Brackett PC

(57) **CLAIM**

The ornamental design for a light source module with waterproofing film, as shown and described.

DESCRIPTION

FIG. 1 is a front, bottom and right side perspective view of a light source module with waterproofing film showing our new design;

FIG. 2 is a front view thereof;

FIG. 3 is a rear view thereof;

FIG. 4 is a left side view thereof;

FIG. 5 is a right side view thereof;

FIG. 6 is a top view thereof;

FIG. 7 is a bottom view thereof;

FIG. 8 is an enlarged detail view of the portion of the claimed design shown in the dashed box in FIG. 1;

FIG. 9 is an enlarged detail view of the portion of the claimed design shown in the dashed box in FIG. 2;

FIG. 10 is a partially sectional view of FIG. 7, taken along line 10-10 of FIG. 9; and,

FIG. 11 is a partially sectional view of FIG. 7, taken along line 11-11 of FIG. 9.

The solid line expresses the other portion for the part for which design registration is sought with the dashed line as a partial design. Dotted and dashed lines represent boundaries between the portions intended for registration as a partial design and the other portions.

1 Claim, 8 Drawing Sheets

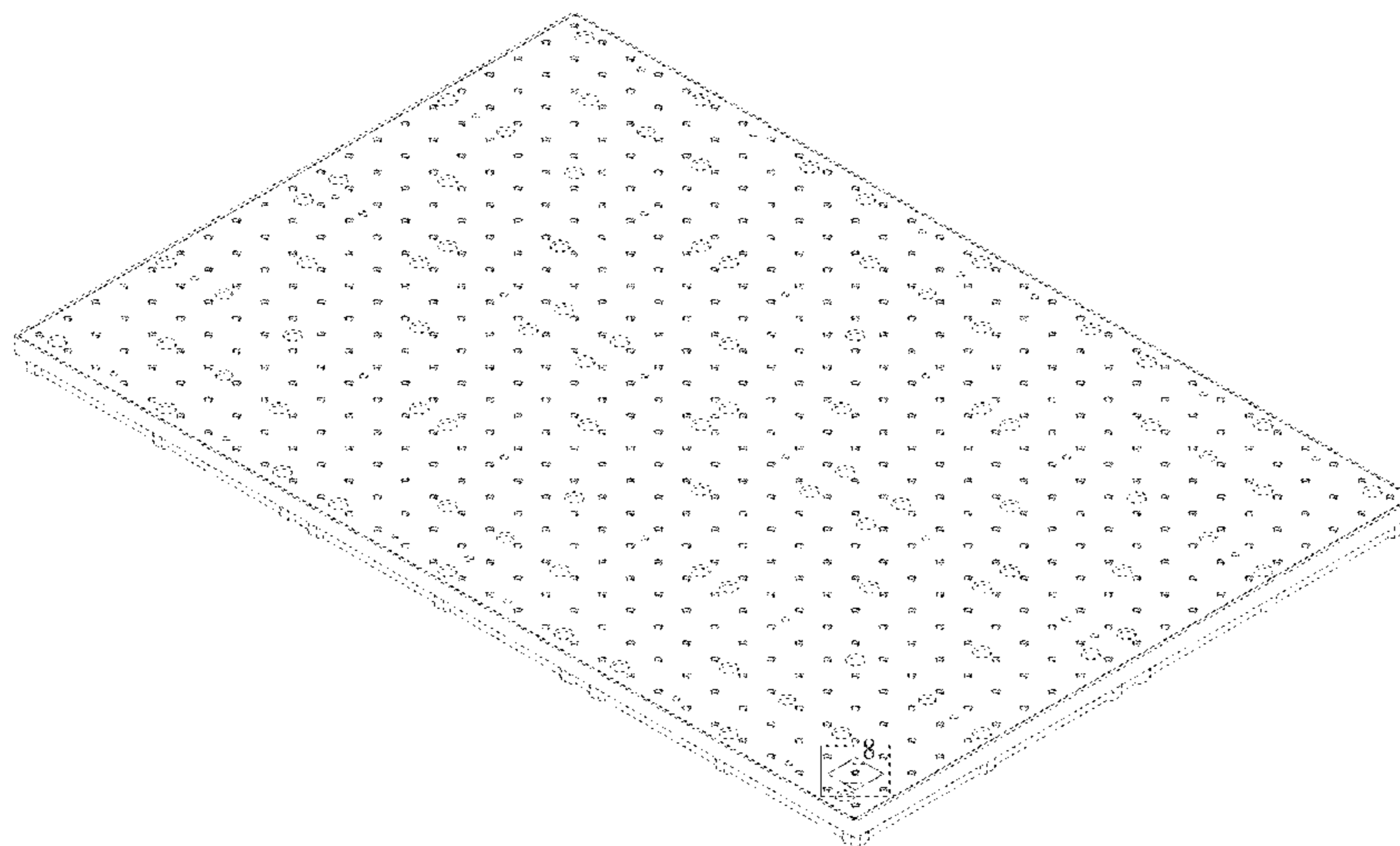


Fig. 1

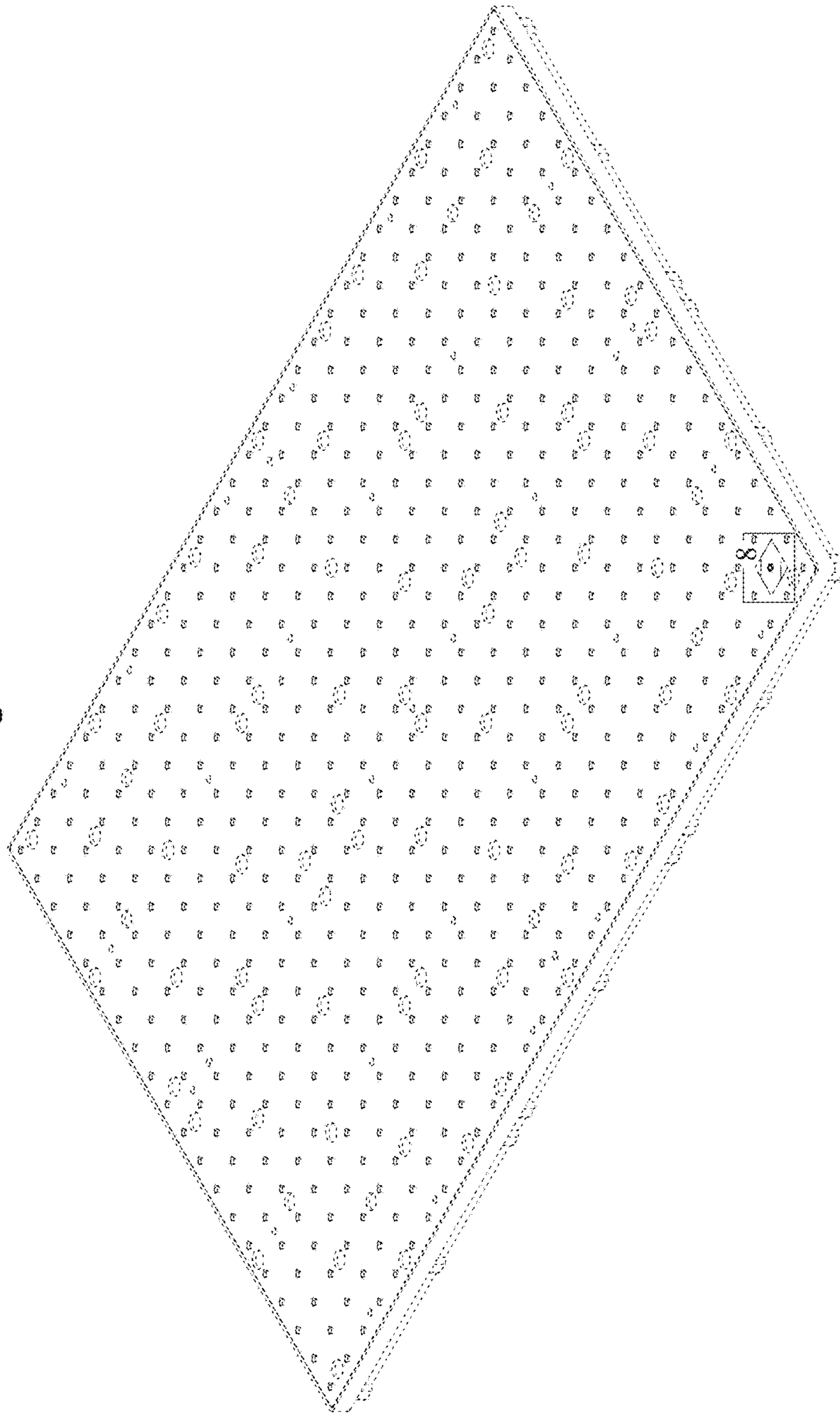


Fig. 2

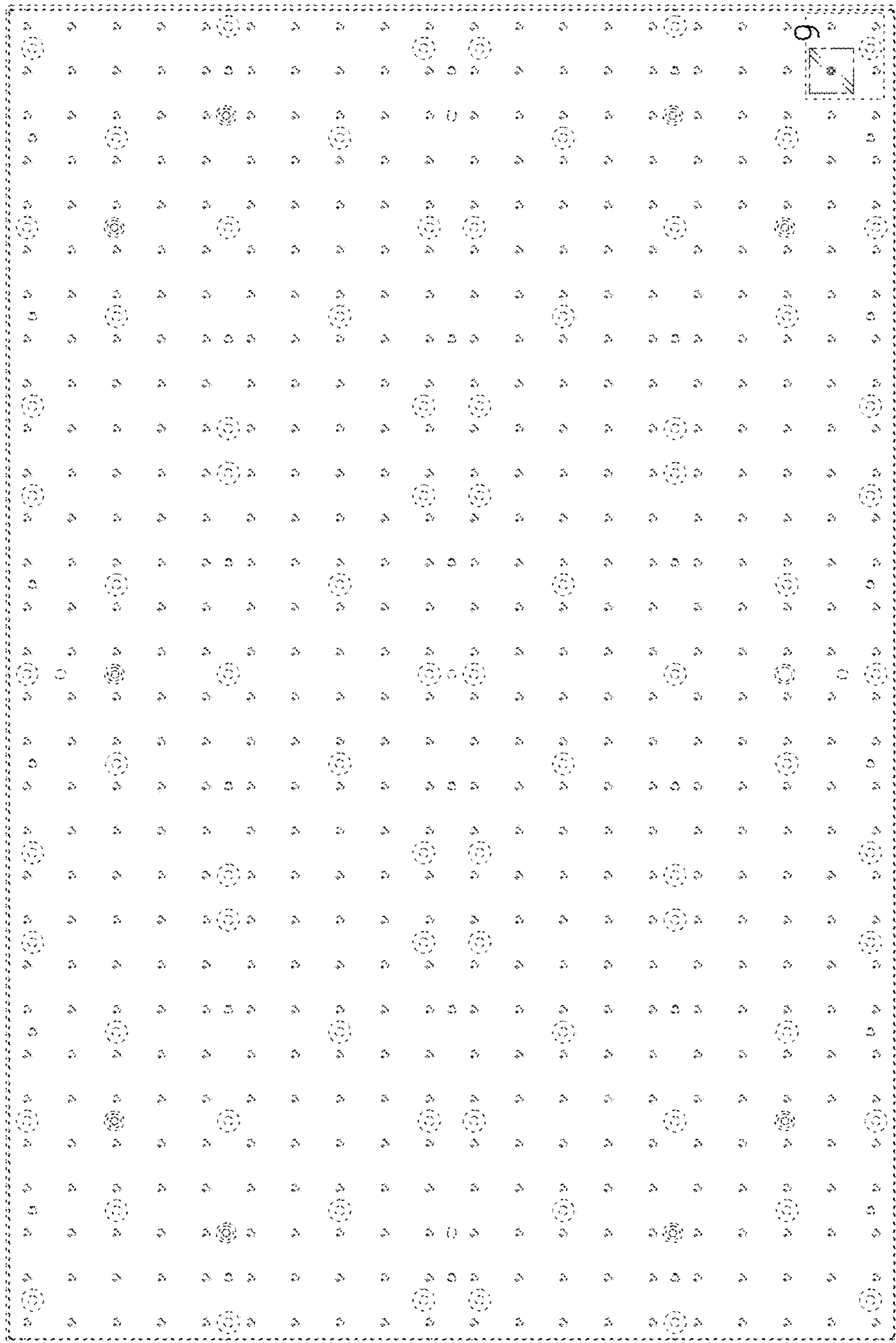


Fig. 3

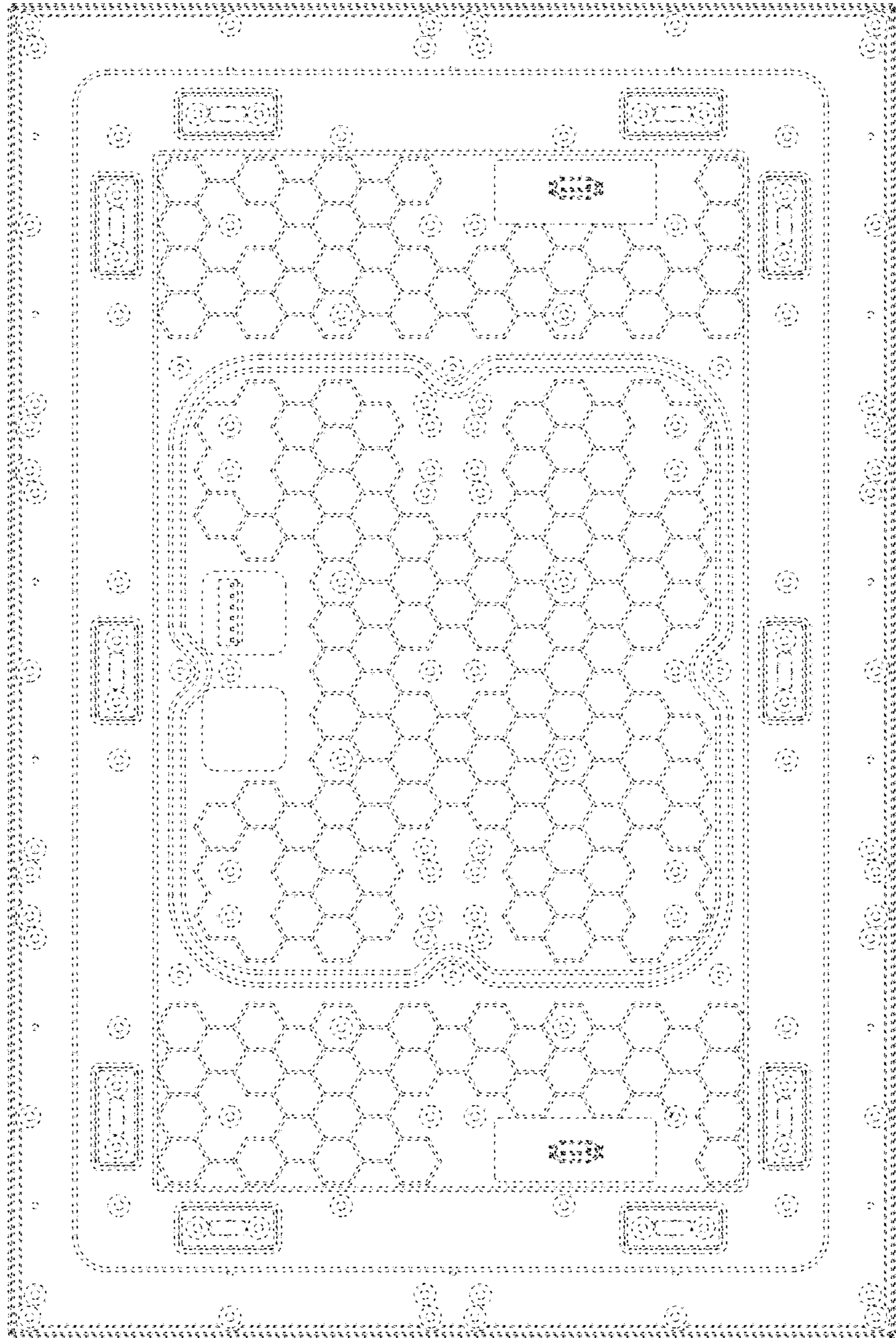


Fig. 5

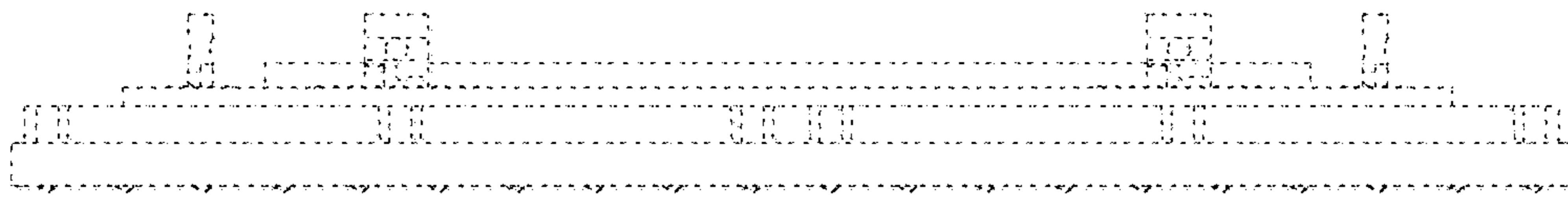


Fig. 4

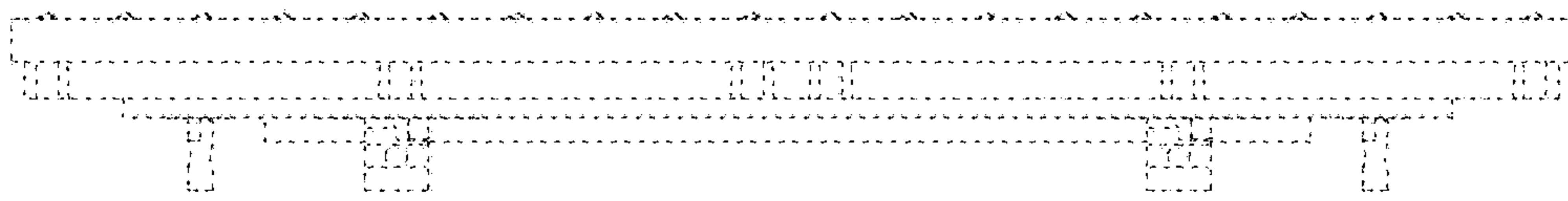


Fig. 6

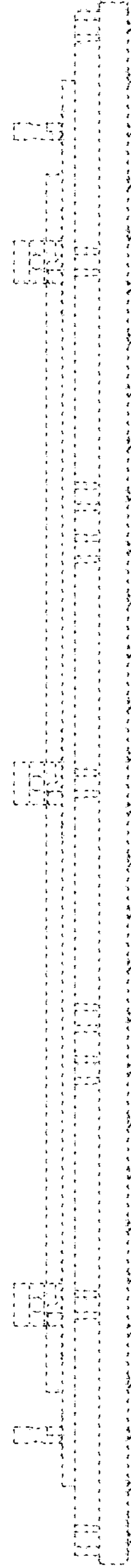


Fig. 7

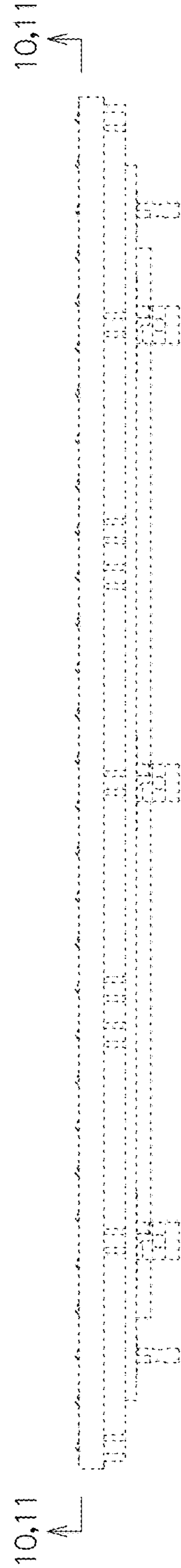


Fig. 8

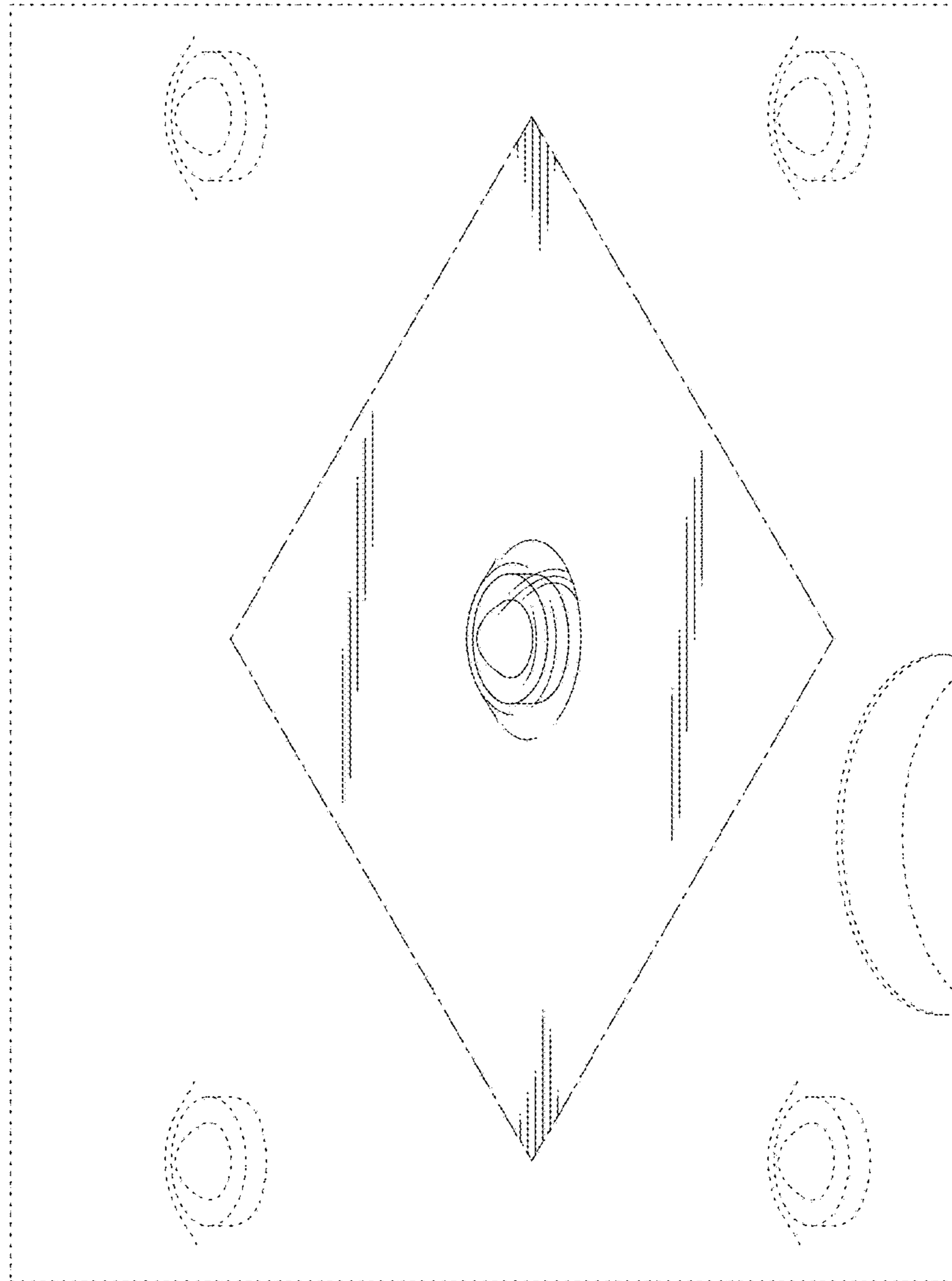


Fig. 9

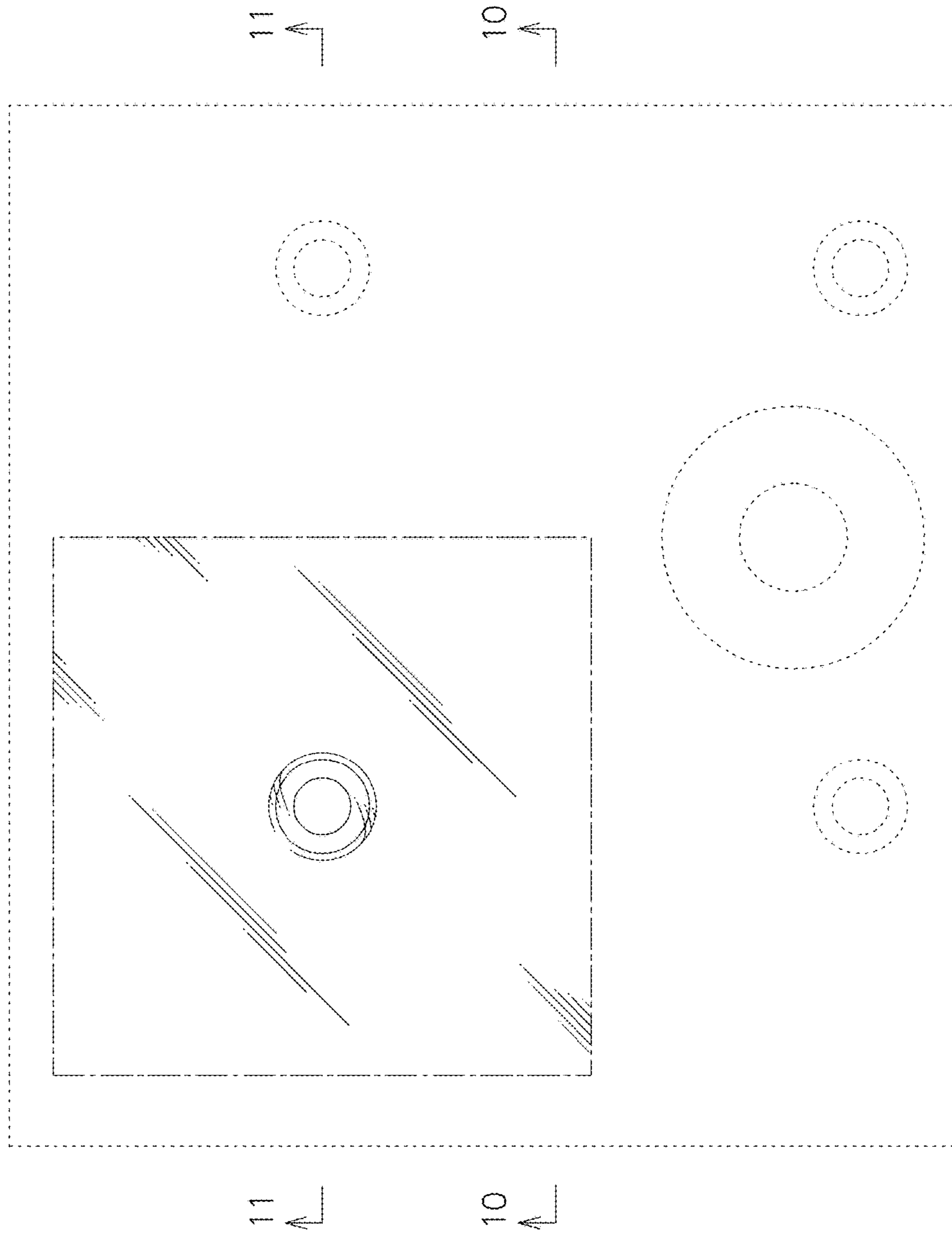


Fig. 10

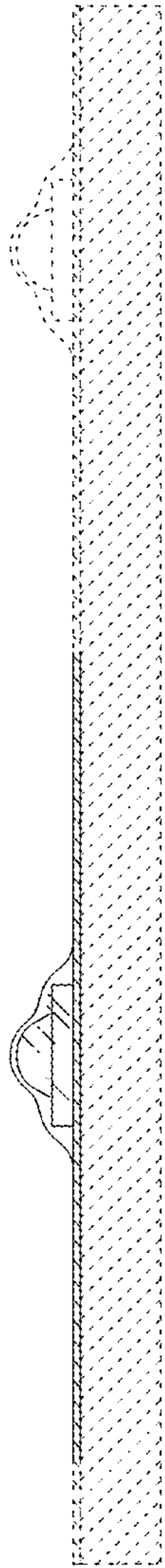


Fig. 11

