



US00D840555S

(12) **United States Design Patent**  
**Kiridoshi et al.**

(10) **Patent No.:** **US D840,555 S**

(45) **Date of Patent:** **\*\* Feb. 12, 2019**

(54) **LIGHT SOURCE MODULE**

D570,506 S \* 6/2008 Uemoto ..... D26/1  
D665,105 S \* 8/2012 Betsuda ..... D13/180  
D747,008 S \* 1/2016 Kim ..... D26/1

(71) Applicant: **Mitsubishi Electric Corporation,**  
Tokyo (JP)

\* cited by examiner

(72) Inventors: **Satoru Kiridoshi,** Tokyo (JP);  
**Tsuyoshi Tanabe,** Tokyo (JP); **Sohei Samejima,** Tokyo (JP); **Hironobu Kawaguchi,** Tokyo (JP)

*Primary Examiner* — Marcus A Jackson

(74) *Attorney, Agent, or Firm* — Studebaker & Brackett  
PC

(73) Assignee: **Mitsubishi Electric Corporation,**  
Tokyo (JP)

(57) **CLAIM**

The ornamental design for a light source module, as shown and described.

(\*\*) Term: **15 Years**

**DESCRIPTION**

(21) Appl. No.: **29/583,591**

(22) Filed: **Nov. 7, 2016**

(30) **Foreign Application Priority Data**

May 11, 2016 (JP) ..... 2016-010014  
May 11, 2016 (JP) ..... 2016-010015

(51) **LOC (11) Cl.** ..... **26-04**

(52) **U.S. Cl.**  
USPC ..... **D26/1**

(58) **Field of Classification Search**  
USPC ..... D13/180; D26/1-4; 313/313, 315, 316,  
313/317, 318, 493; 315/52, 53, 56, 57,  
315/58  
CPC ..... H01J 5/48; H01J 5/50; H01J 19/54; F21K  
9/13; F21V 19/001; F21V 19/004; F21V  
19/0045

See application file for complete search history.

(56) **References Cited**

**U.S. PATENT DOCUMENTS**

D562,473 S \* 2/2008 Matsui ..... D26/1

FIG. 1 is a front, bottom and right side perspective view of a light source module, showing an initial embodiment of our new design;

FIG. 2 is a front view thereof;

FIG. 3 is a rear view thereof;

FIG. 4 is a left side view thereof;

FIG. 5 is a right side view thereof;

FIG. 6 is a top view thereof;

FIG. 7 is a bottom view thereof;

FIG. 8 is an enlarged detail view of the portion of the claimed design shown in the dashed box in FIG. 1 thereof;

FIG. 9 is an enlarged detail view of the portion of the claimed design shown in the dashed box in FIG. 2 thereof;

FIG. 10 is a partially sectional view of FIG. 7, taken along line 10-10 of FIG. 9 thereof; and,

FIG. 11 is a partially sectional view of FIG. 7, taken along line 11-11 of FIG. 9 thereof.

The solid line expresses the other portion for the part for which design registration is sought with the dashed line as a partial design. Dotted and dashed lines represent boundaries between the portions intended for registration as a partial design and the other portions.

**1 Claim, 8 Drawing Sheets**

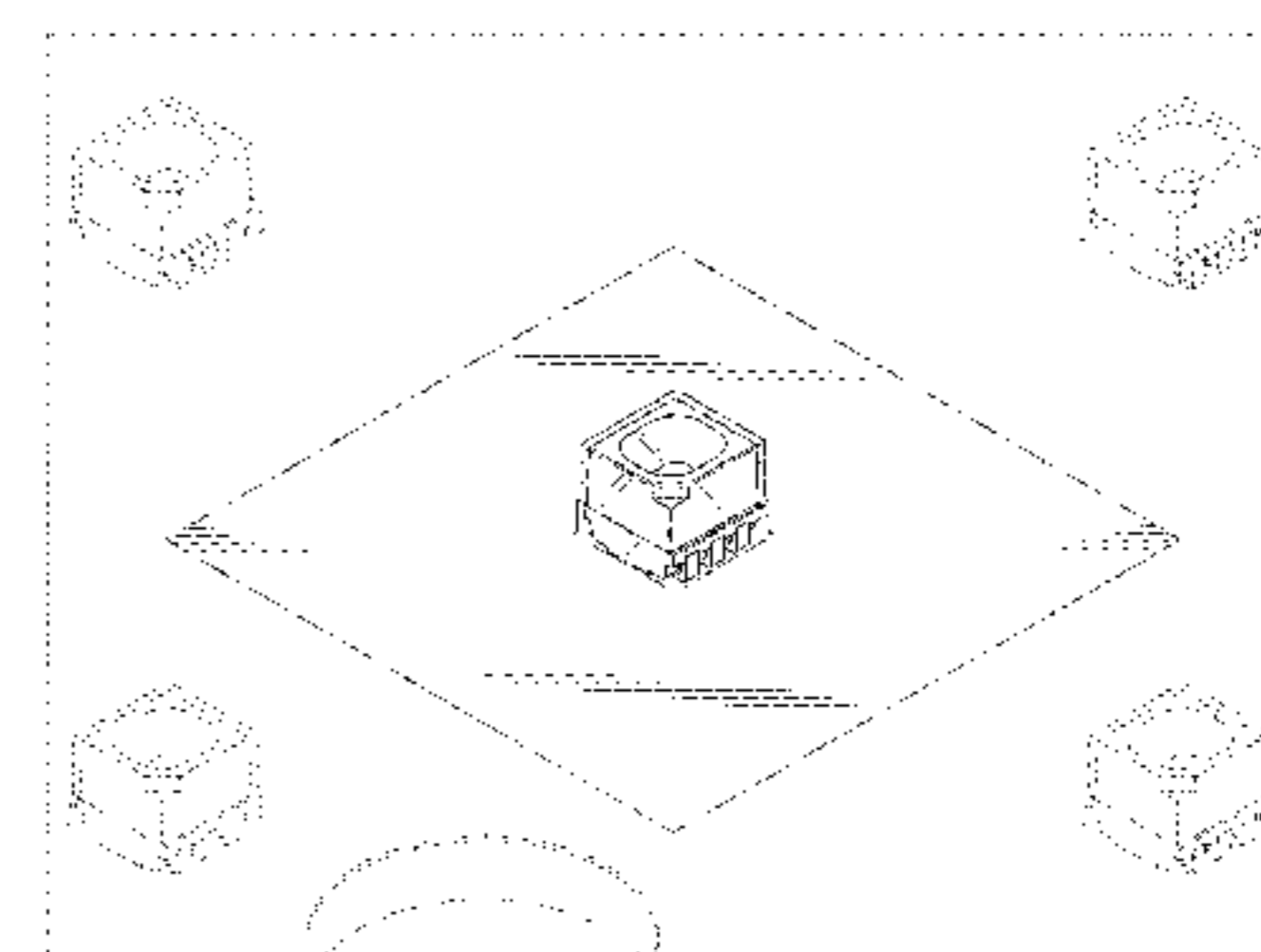
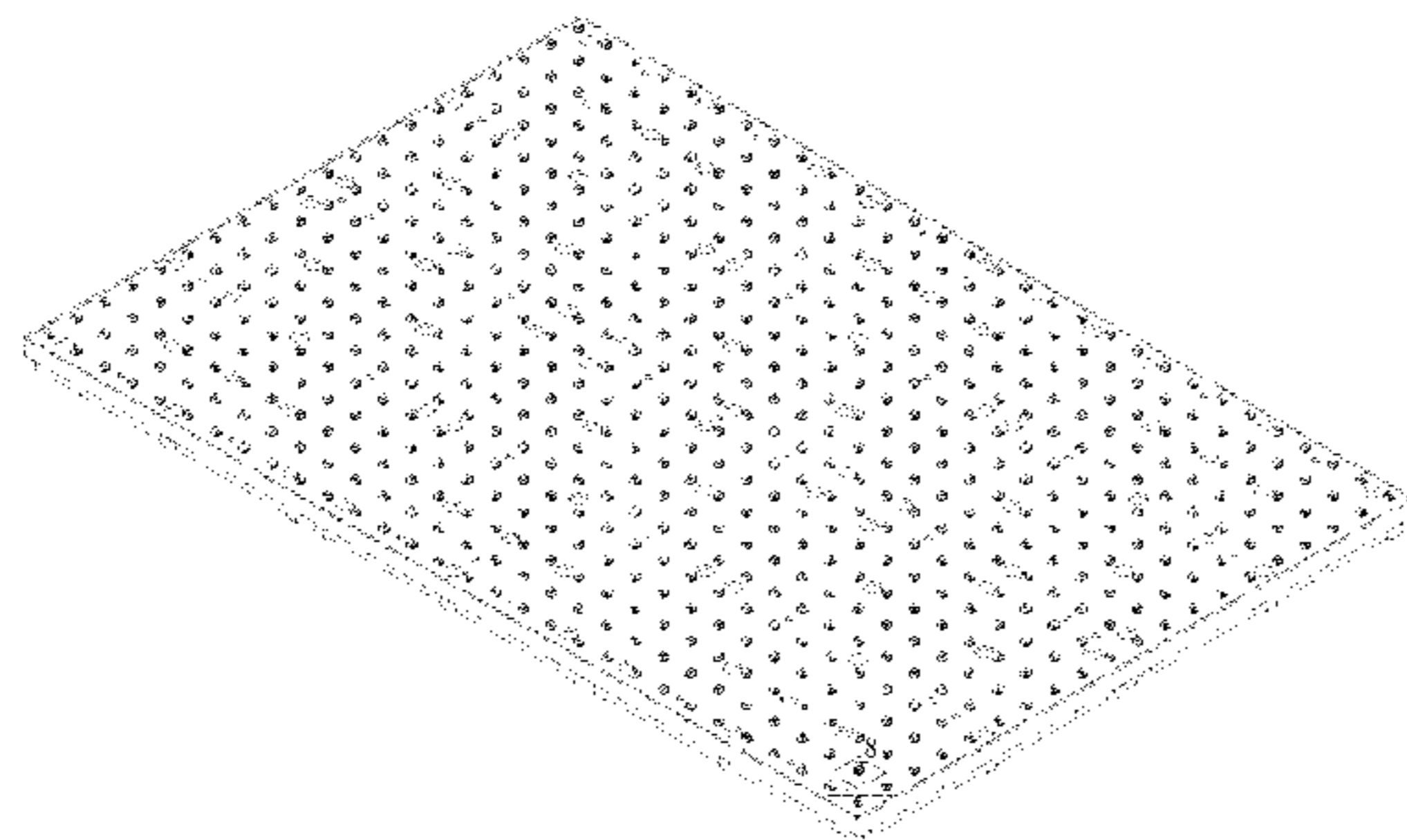


Fig. 1

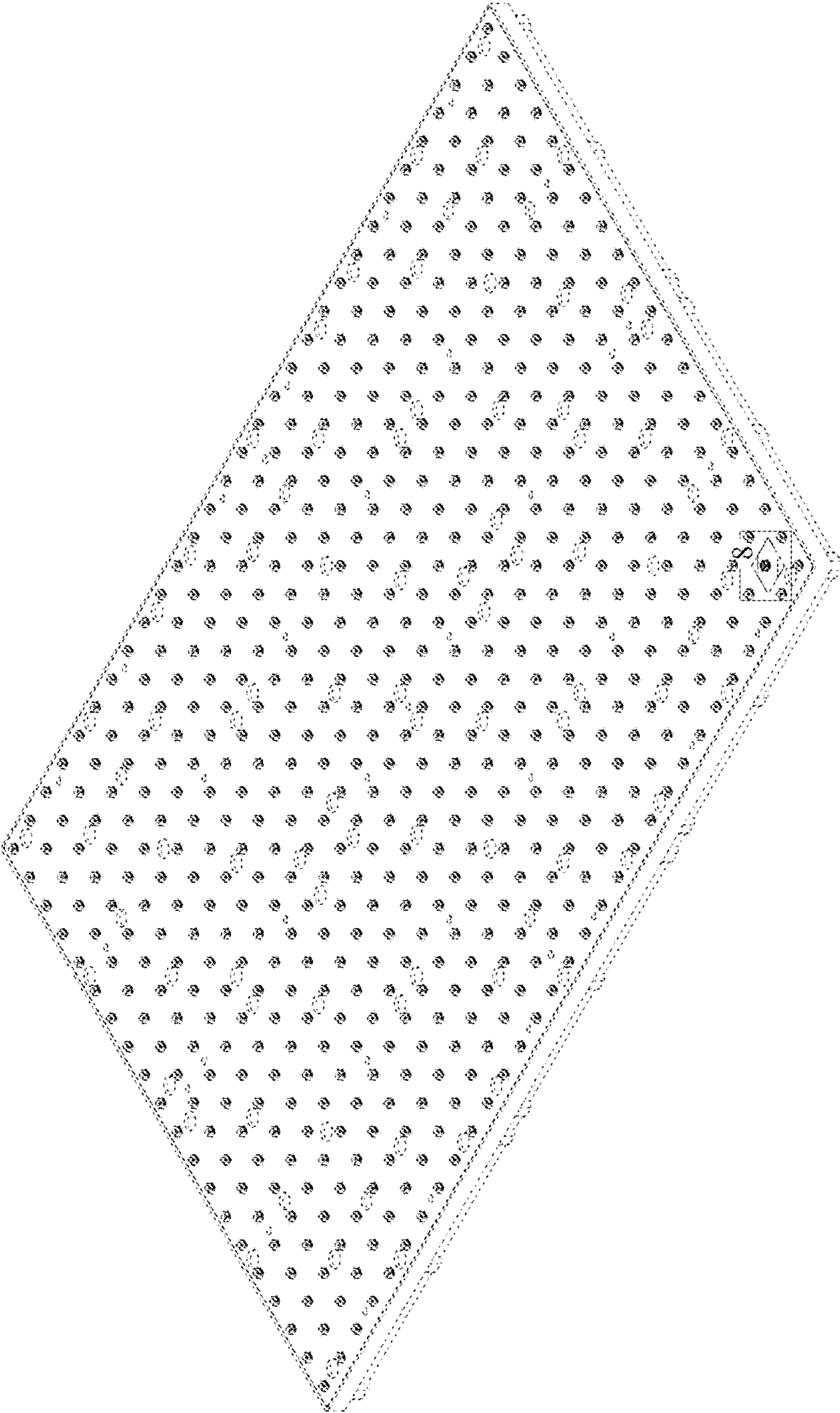


Fig. 2

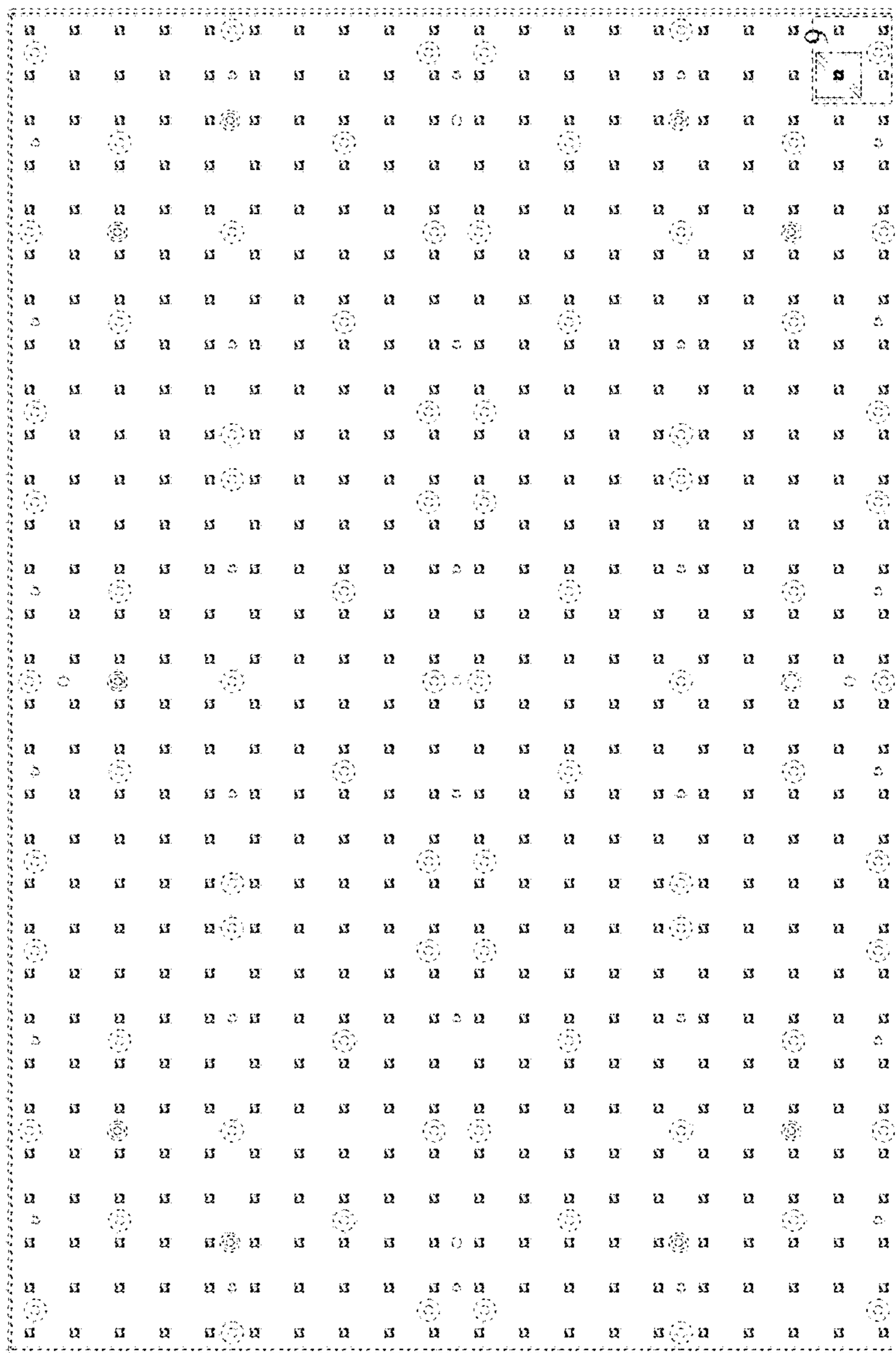


Fig. 3

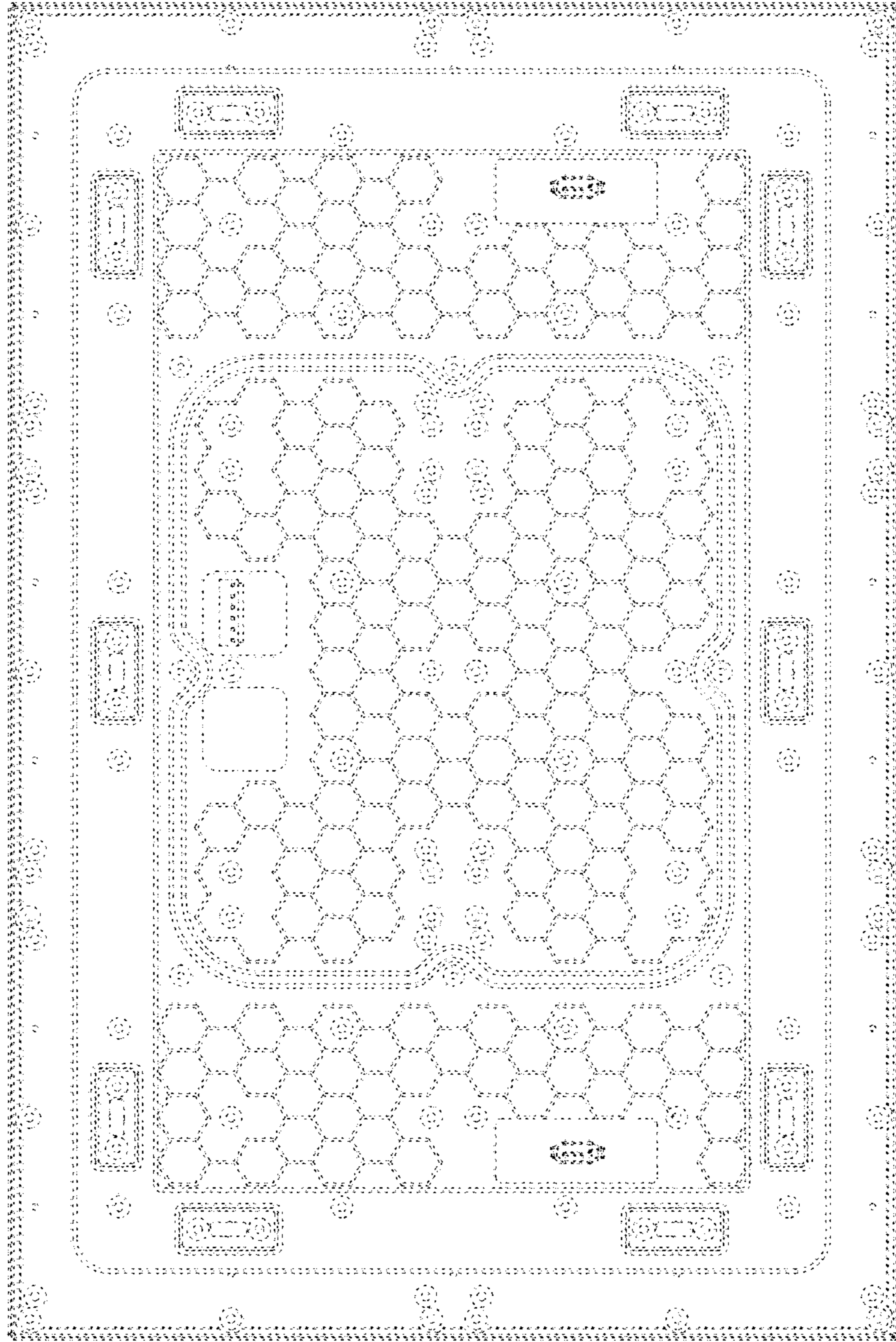


Fig. 5

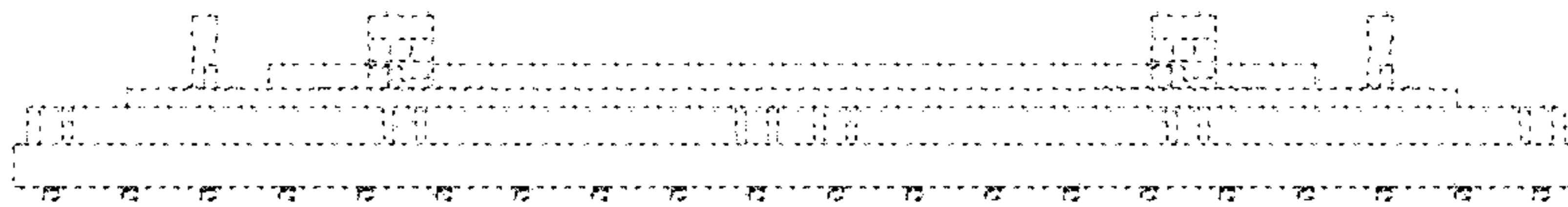


Fig. 4

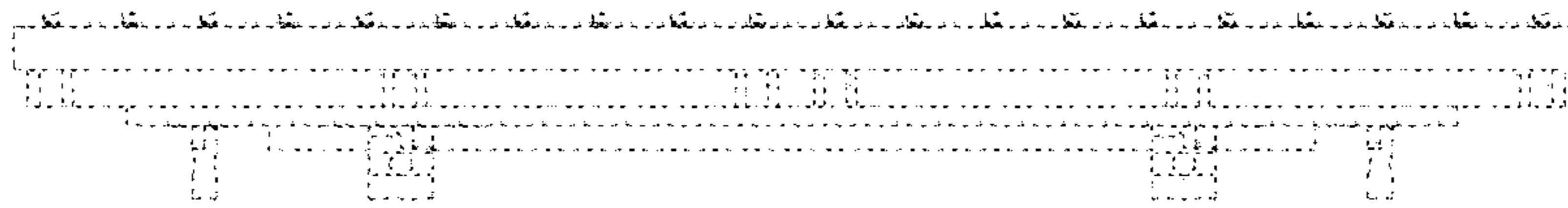


Fig. 6

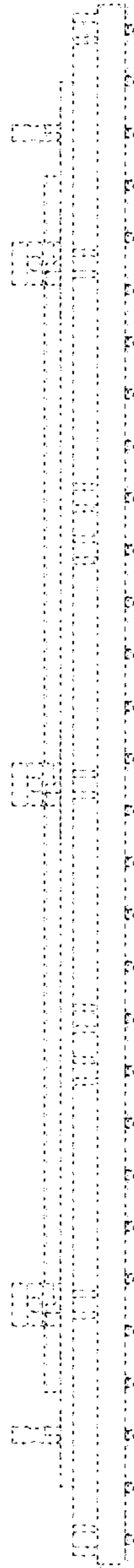


Fig. 7

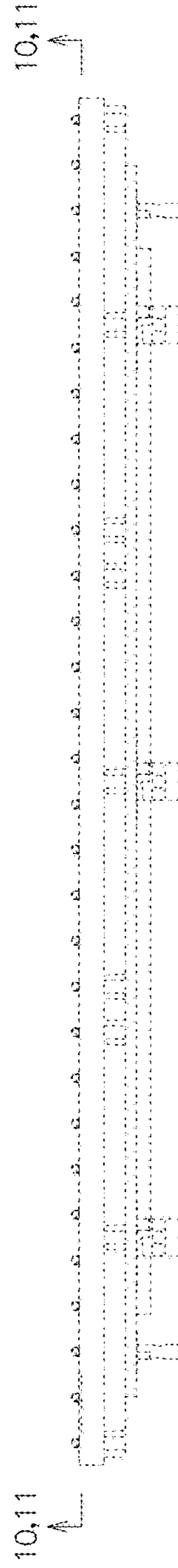


Fig. 8

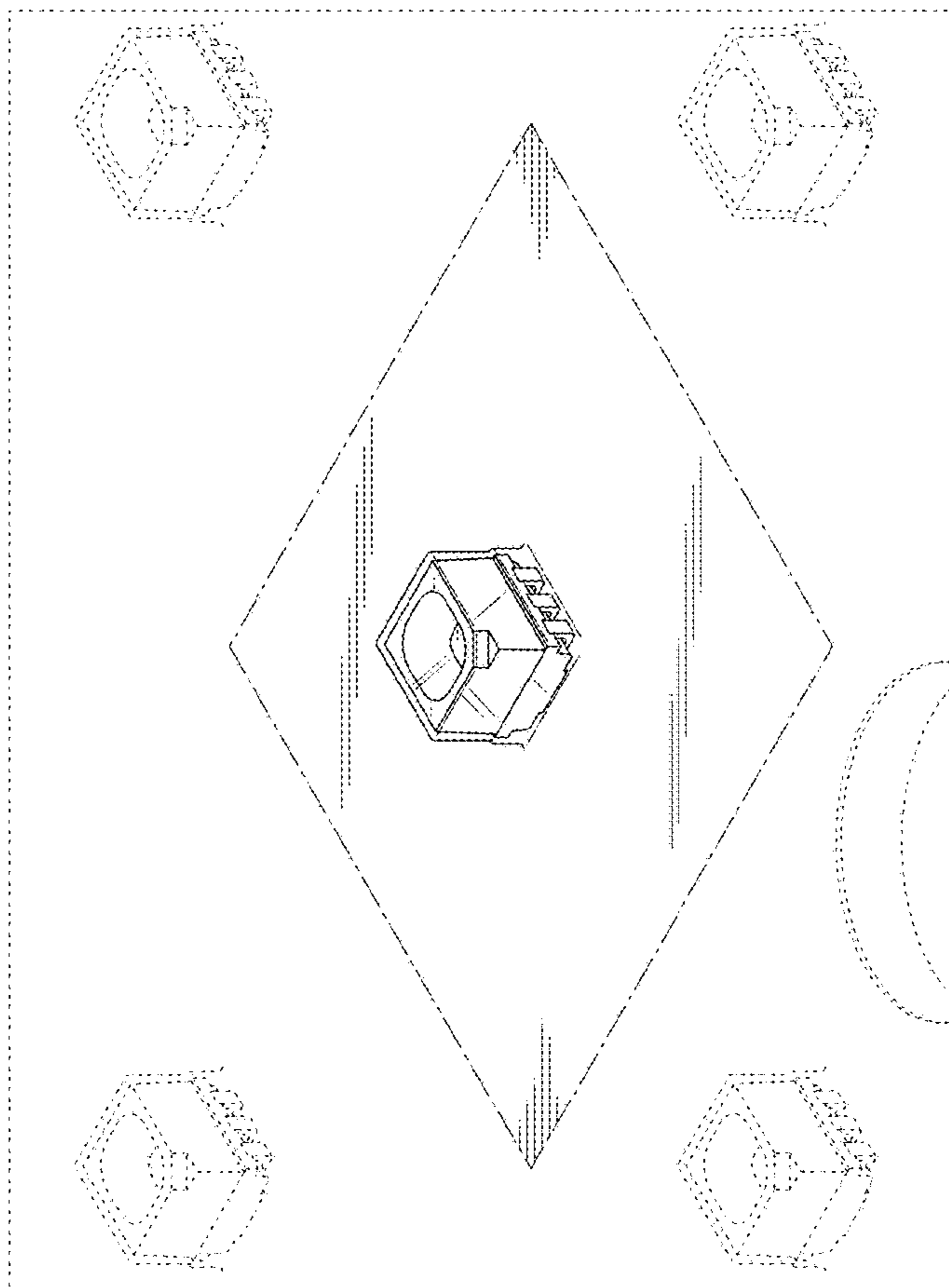


Fig. 9

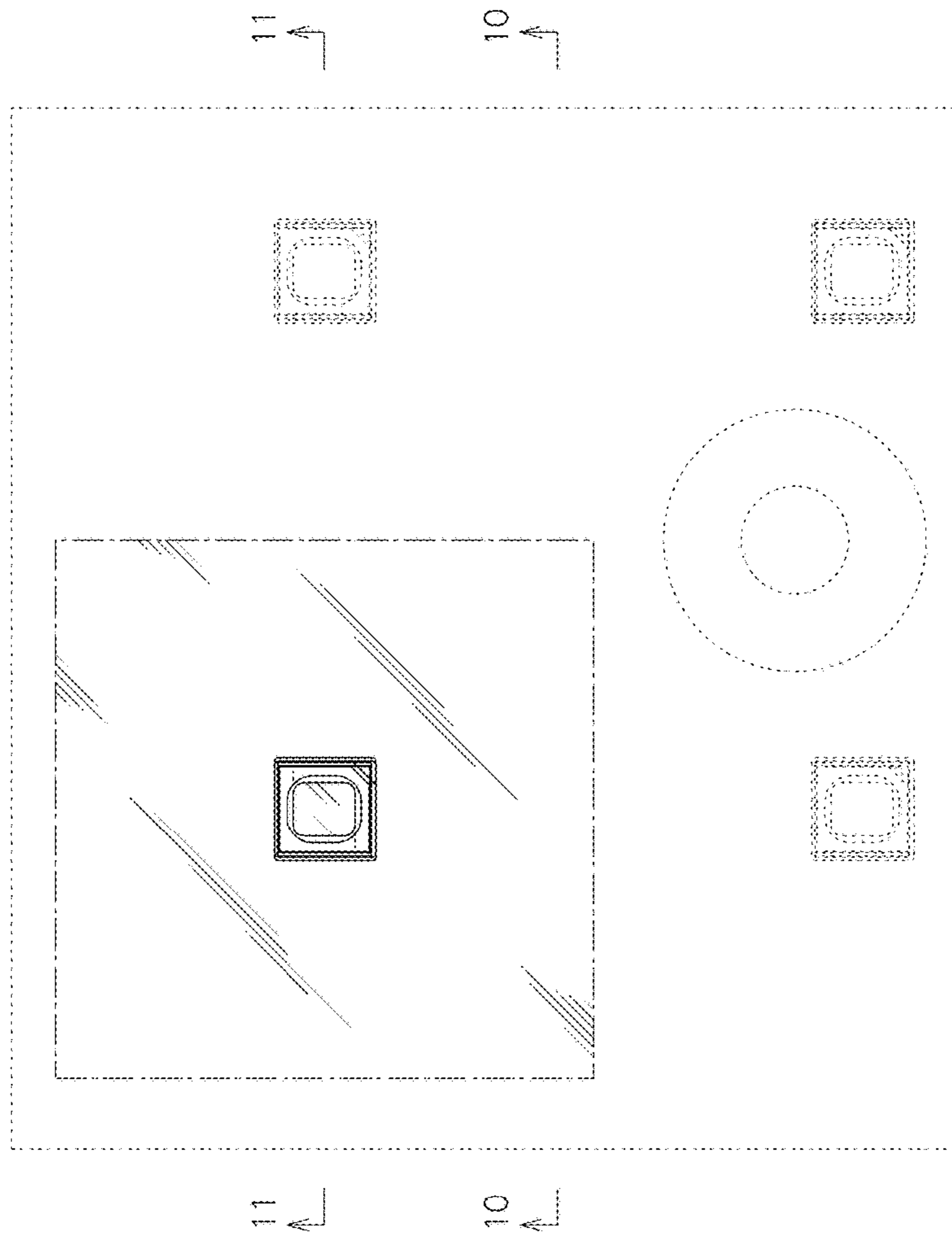




Fig. 10

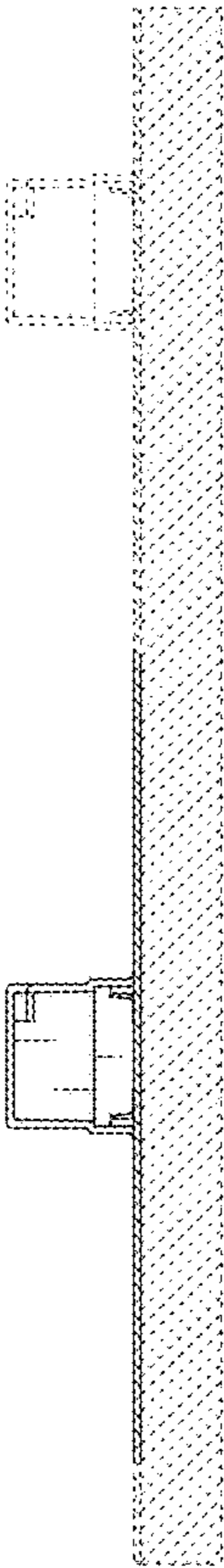


Fig. 11

