

US00D840552S

(12) **United States Design Patent**
Whitfield

(10) **Patent No.:** **US D840,552 S**

(45) **Date of Patent:** **** Feb. 12, 2019**

(54) **GREEN ROOF MODULE EXTENSION**

(71) Applicant: **Green Roof Outfitters, LLC,**
Charleston, SC (US)

(72) Inventor: **Michael Whitfield,** Charleston, SC
(US)

(**) Term: **15 Years**

(21) Appl. No.: **29/570,004**

(22) Filed: **Jul. 1, 2016**

(51) **LOC (11) Cl.** **25-01**

(52) **U.S. Cl.**
USPC **D25/139; D25/153**

(58) **Field of Classification Search**
USPC D25/138-13; 52/173.1, 173.3, 408, 604,
52/302.1; 47/65.9, 66.1, 73, 60, 62 C,
47/66.5, 86; D9/456; D11/155
CPC A01G 1/002; A01G 1/007; A01G 9/02;
A01G 9/028; A01G 9/045; E04D 11/002
See application file for complete search history.

(56) **References Cited**

U.S. PATENT DOCUMENTS

D411,685 S *	6/1999	Thomas	D5/1
6,718,715 B2 *	4/2004	Elliott	E04F 15/225
				52/403.1
7,704,011 B2 *	4/2010	Marshall	E01C 3/006
				404/29
D622,421 S *	8/2010	Akkala	D25/152
7,921,599 B2 *	4/2011	Irwin	A01G 9/025
				47/66.1
8,091,300 B2 *	1/2012	Pyo	B28B 5/028
				52/220.2

D656,250 S *	3/2012	Forster	D25/153
D657,925 S *	4/2012	Luipold	D32/40
8,555,586 B2 *	10/2013	Lowe	E03F 1/005
				210/170.03
D795,877 S *	8/2017	Barron	D14/432
D802,803 S *	11/2017	Berg	D25/138
2003/0019170 A1 *	1/2003	Donnelly	E01F 8/0011
				52/144
2012/0317902 A1 *	12/2012	Kapteyn	E04B 1/0007
				52/204.1

* cited by examiner

Primary Examiner — Vy N Koenig
Assistant Examiner — Kimberly Barnes

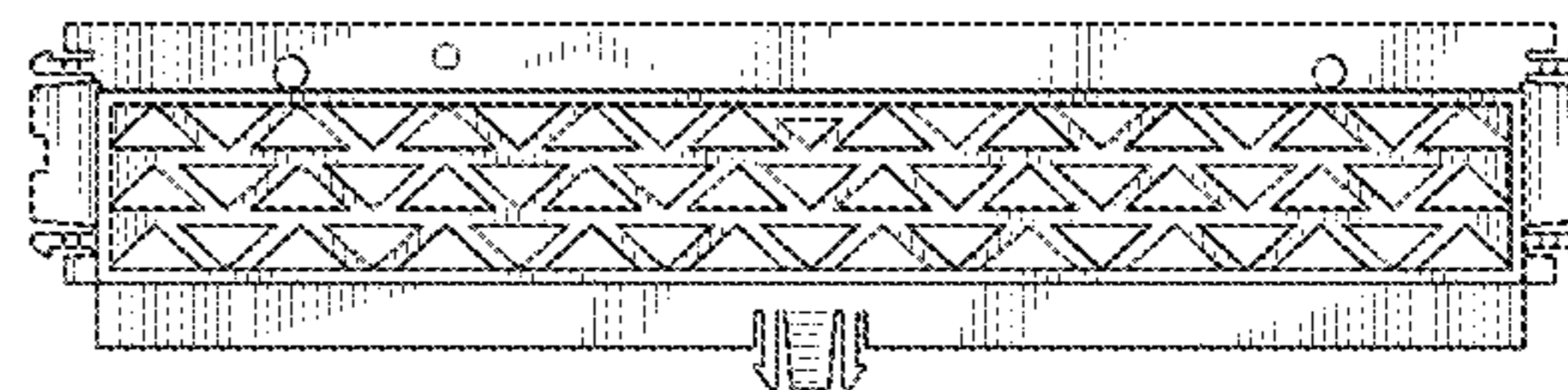
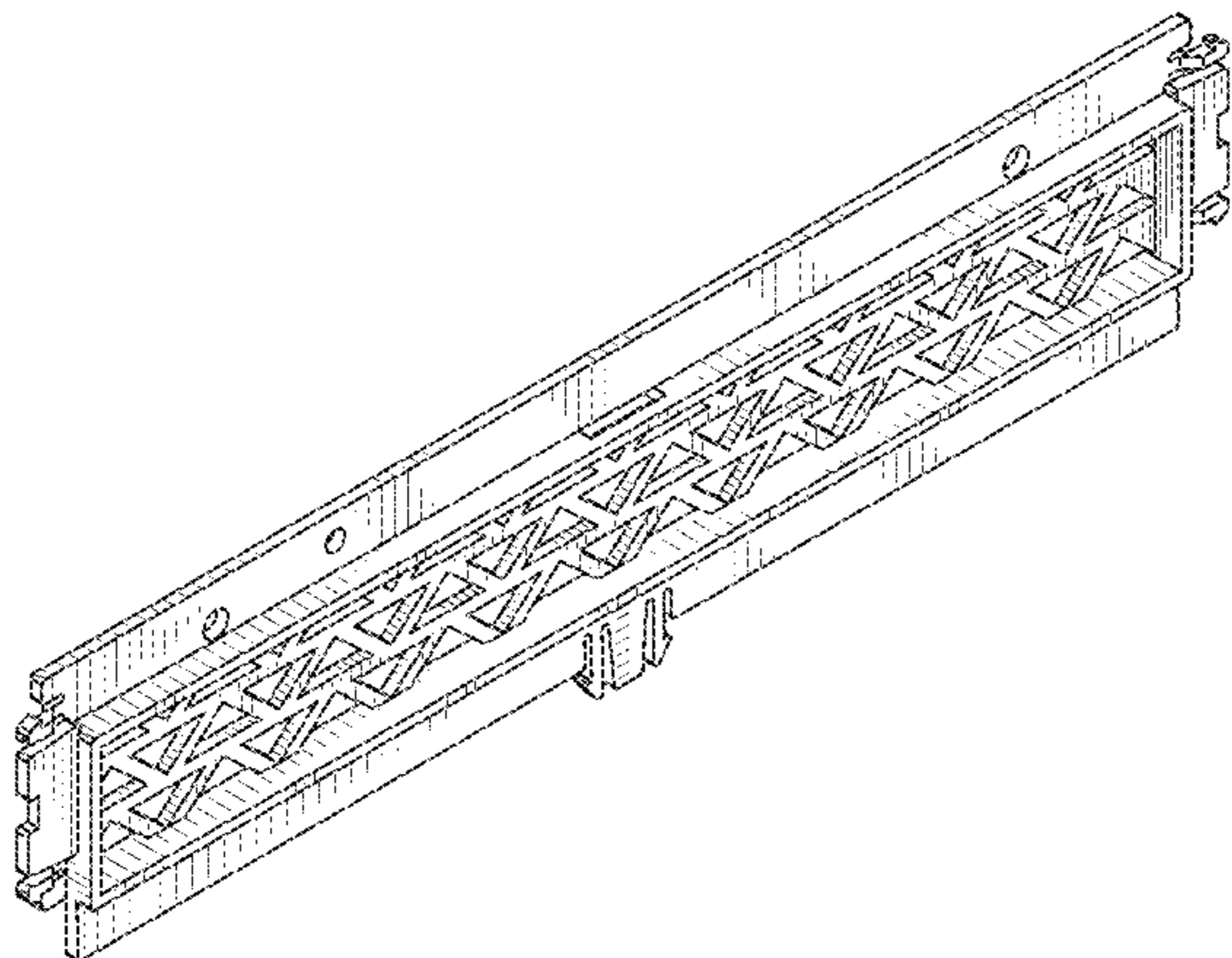
(57) **CLAIM**

The ornamental design for a green roof module extension, as shown.

DESCRIPTION

FIG. 1 is a front perspective view of a green roof module extension showing my new design;
FIG. 2 is a rear perspective view of the green roof module extension;
FIG. 3 is a bottom plan view view of the green roof module extension;
FIG. 4 is a rear elevation view of the green roof module extension;
FIG. 5 is a top plan view of the green roof module extension;
FIG. 6 is a front elevation view of the green roof module extension;
FIG. 7 is a right side elevation view of the green roof module extension; and,
FIG. 8 is a left side elevation view of the green roof module extension.

1 Claim, 5 Drawing Sheets



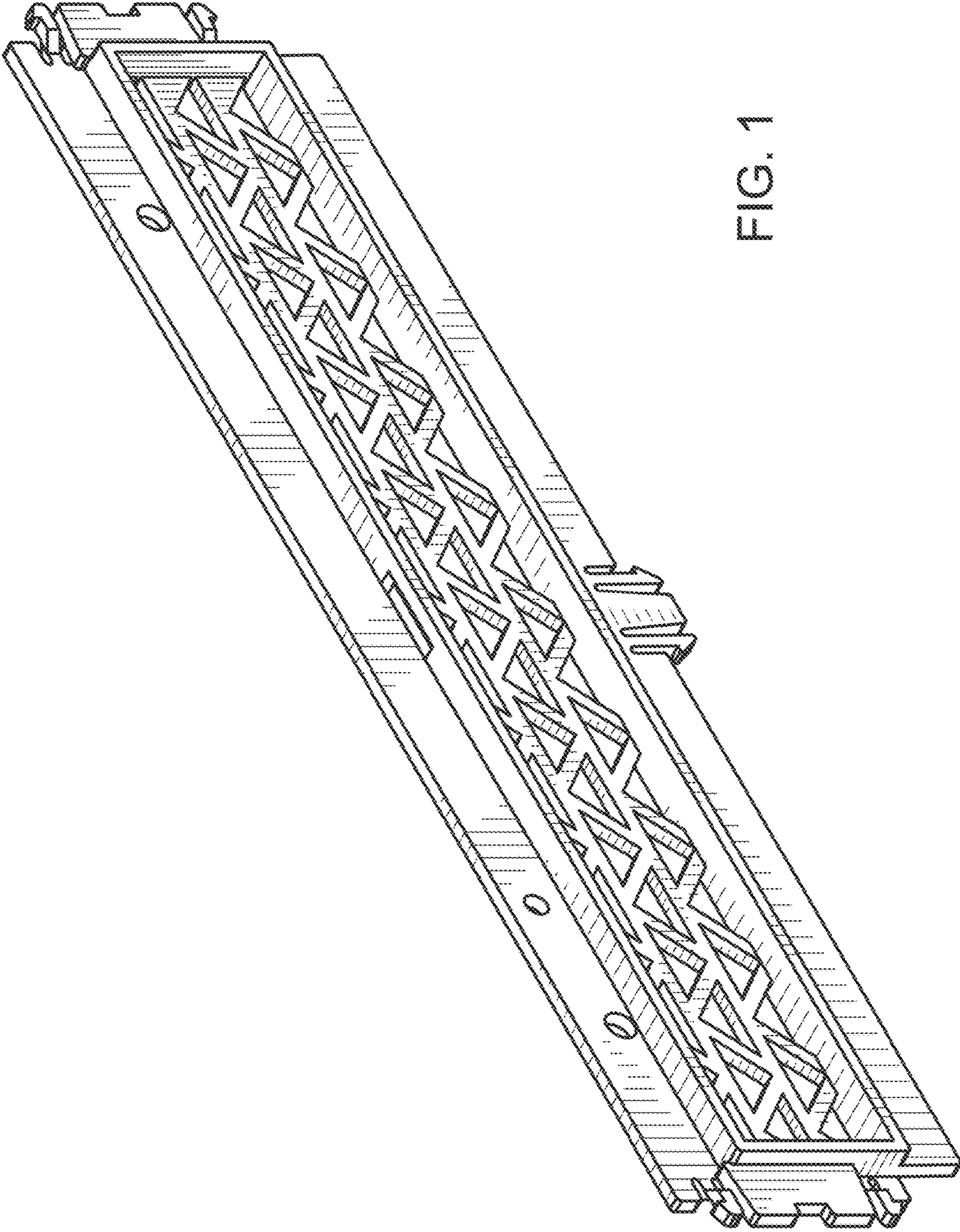


FIG. 1

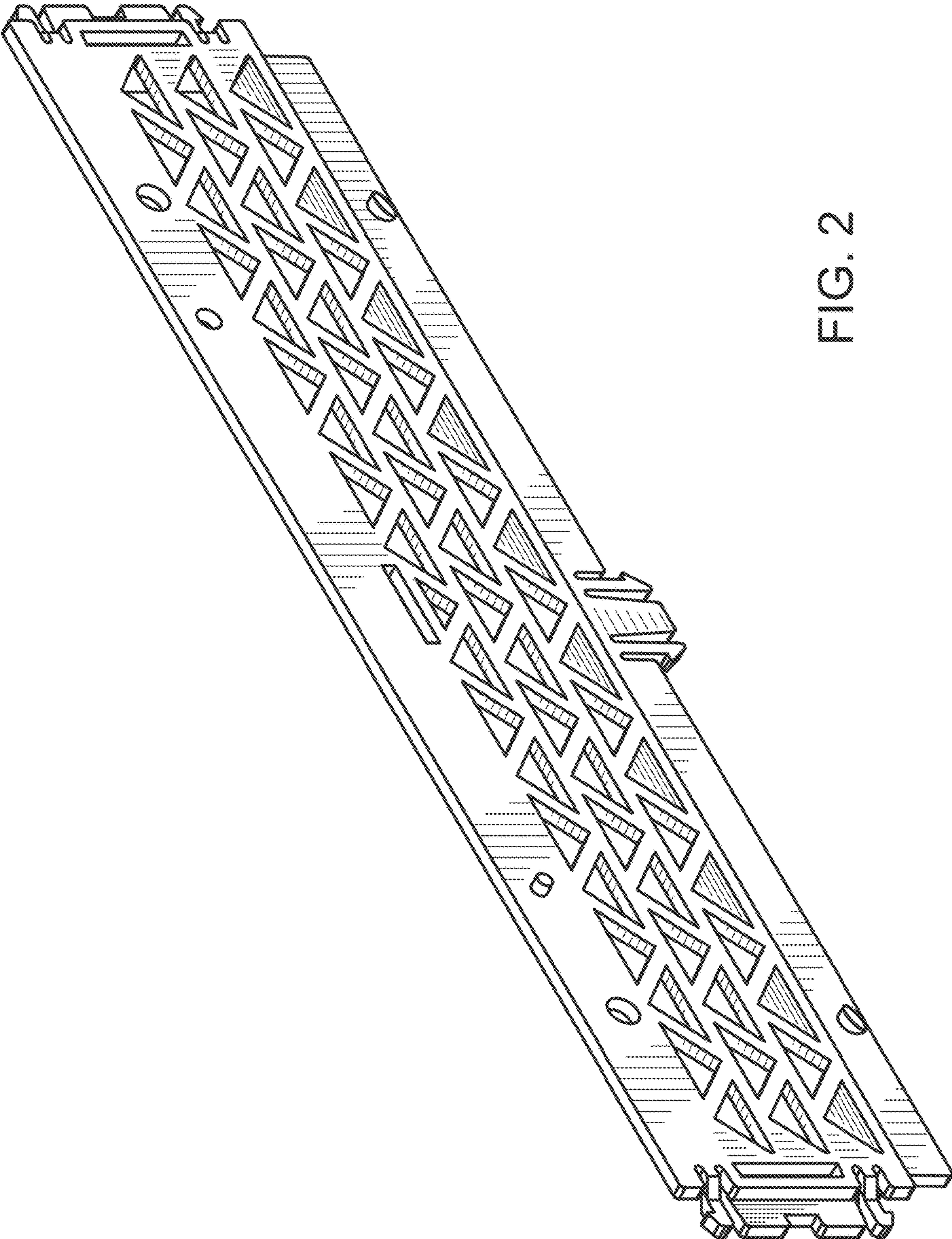


FIG. 2

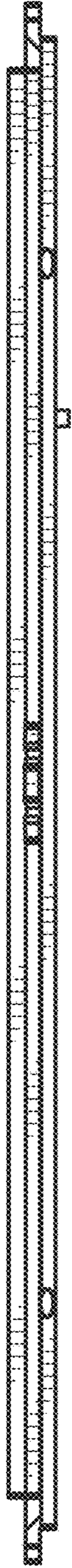


FIG. 3

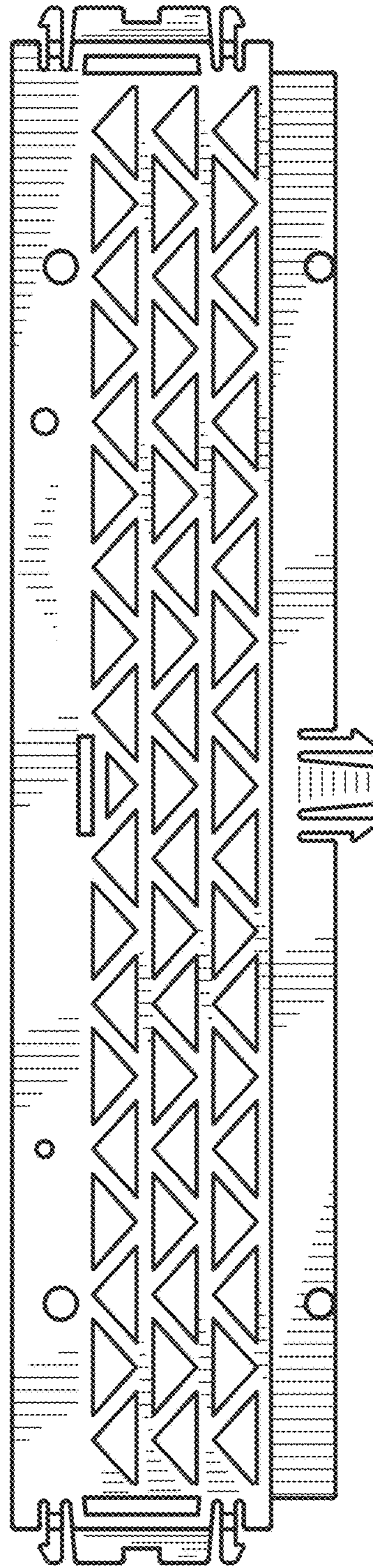


FIG. 4



FIG. 5

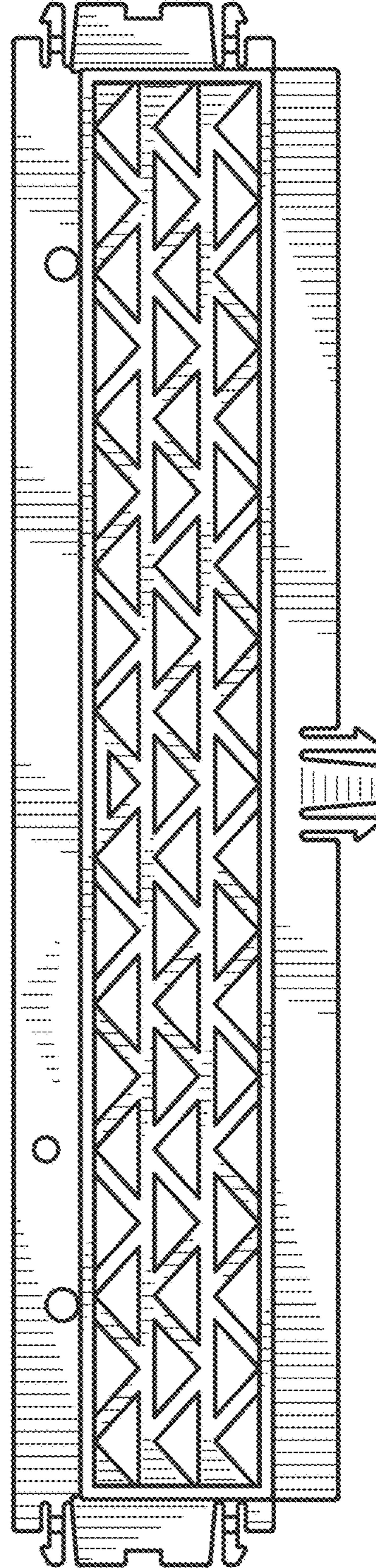


FIG. 6



FIG. 7



FIG. 8