



US00D840551S

(12) **United States Design Patent**  
**Kilian et al.**

(10) **Patent No.:** **US D840,551 S**  
(45) **Date of Patent:** **\*\* Feb. 12, 2019**

- (54) **ARCHITECTURAL FIXTURE**
- (71) Applicant: **Arktura LLC**, Gardena, CA (US)
- (72) Inventors: **Robert Kilian**, Venice, CA (US); **Chris Kabatsi**, Venice, CA (US); **Kevin Kane**, Los Angeles, CA (US); **John Johnston**, Los Angeles, CA (US)
- (73) Assignee: **Arktura LLC**, Gardena, CA (US)
- (\*\*) Term: **15 Years**
- (21) Appl. No.: **29/610,803**
- (22) Filed: **Jul. 14, 2017**

**Related U.S. Application Data**

- (63) Continuation-in-part of application No. 15/261,710, filed on Sep. 9, 2016.
- (51) **LOC (11) Cl.** ..... **25-01**
- (52) **U.S. Cl.**  
USPC ..... **D25/138; D25/157**
- (58) **Field of Classification Search**  
USPC ..... D25/138, 140, 142, 143, 144, 145, 148, D25/149, 151, 152, 153, 154, 155, 156, D25/157, 158, 159, 160, 161, 162, 163, D25/48.5, 58, 103; D5/1, 2, 3, 5, 6, 8, D5/11, 12, 15, 16, 24, 29, 32, 43, 47, 53, D5/54, 58

(Continued)

(56) **References Cited**

**U.S. PATENT DOCUMENTS**

- 3,143,194 A \* 8/1964 Hart ..... E04B 1/32 428/180
- 3,197,820 A \* 8/1965 Au Claire, Sr. .... E06B 9/01 428/116

(Continued)

*Primary Examiner* — Katie Jane Stofko  
*Assistant Examiner* — Kimberly Barnes

(74) *Attorney, Agent, or Firm* — Matthew J. Spark; Stefan J. Kirchanski; Zuber Lawler & Del Duca LLP

(57) **CLAIM**

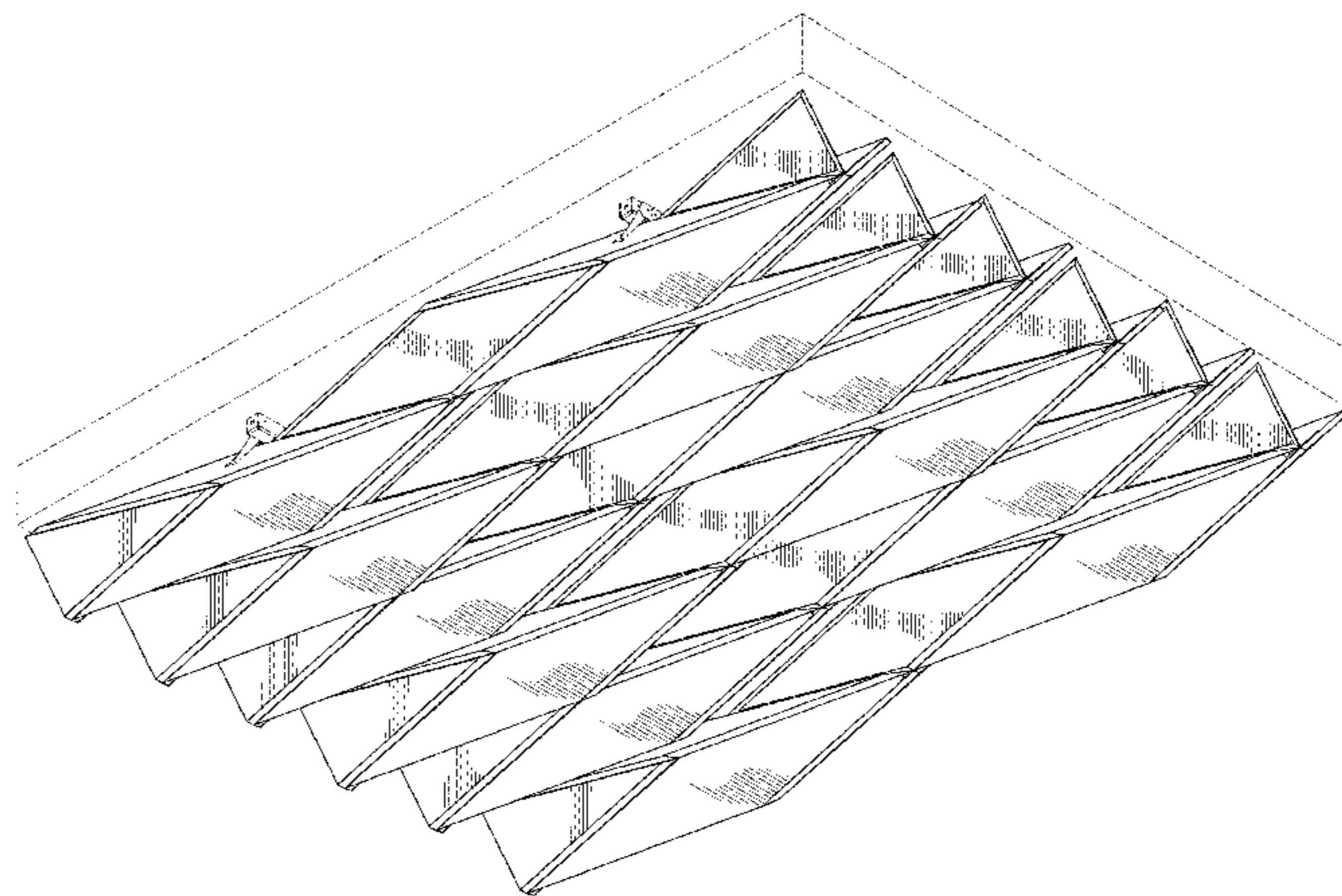
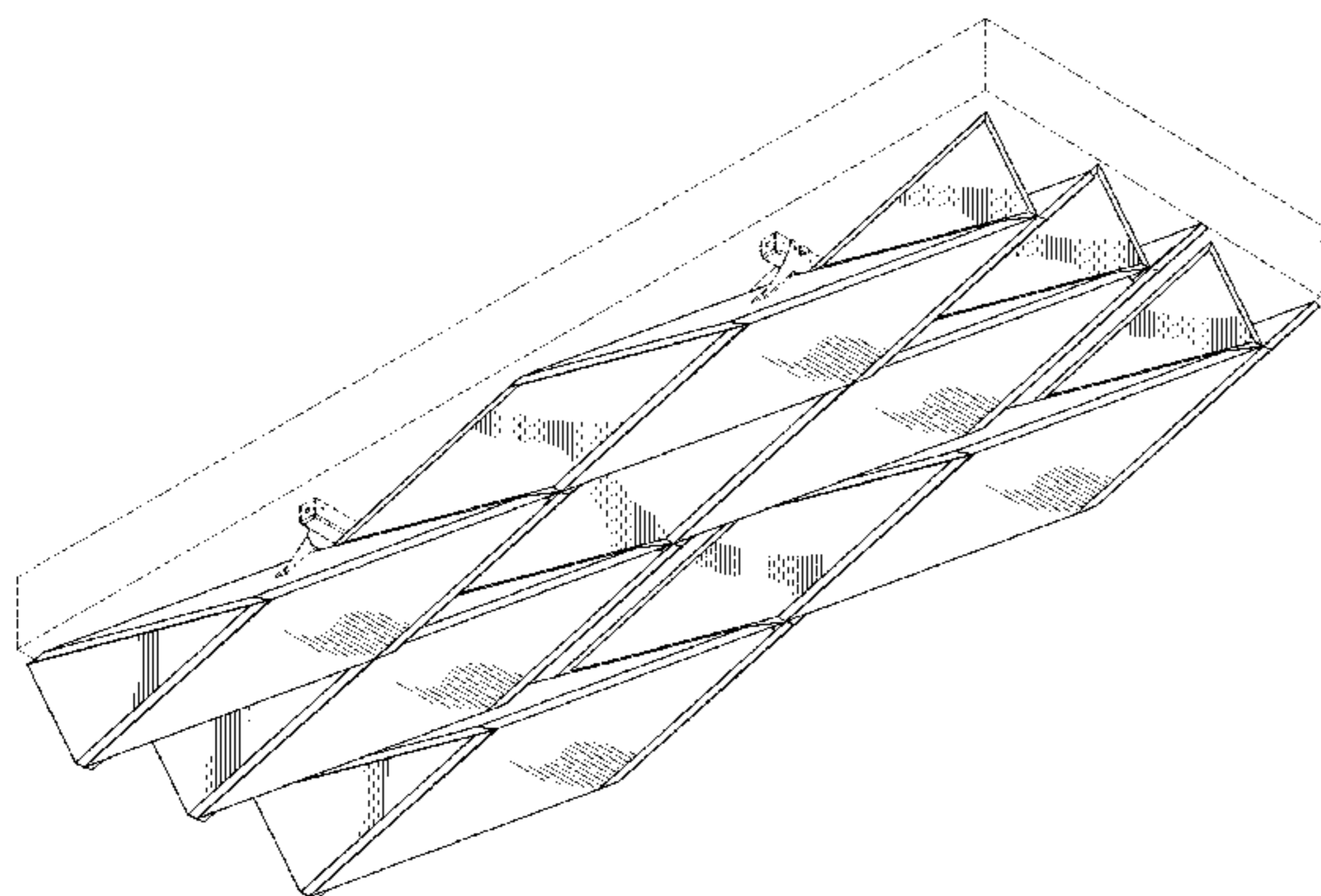
The ornamental design for an architectural fixture, as shown and described.

**DESCRIPTION**

FIG. 1 is a bottom, front, left perspective view of an architectural fixture, showing our new design;  
 FIG. 2 is a left side view of the architectural fixture of FIG. 1;  
 FIG. 3 is a right side view of the architectural fixture of FIG. 1;  
 FIG. 4 is a front elevation view of the architectural fixture of FIG. 1;  
 FIG. 5 is a rear elevation view of the architectural fixture of FIG. 1;  
 FIG. 6 is a bottom plan view of the architectural fixture of FIG. 1;  
 FIG. 7 is top plan view of the architectural fixture of FIG. 1;  
 FIG. 8 is a bottom, front, left perspective view of a second embodiment of an architectural fixture, showing our new design;  
 FIG. 9 is a left side view of the architectural fixture of FIG. 8;  
 FIG. 10 is a right side view of the architectural fixture of FIG. 8;  
 FIG. 11 is a front elevation view of the architectural fixture of FIG. 8;  
 FIG. 12 is a rear elevation view of the architectural fixture of FIG. 8;  
 FIG. 13 is a bottom plan view of the architectural fixture of FIG. 8; and,  
 FIG. 14 is top plan view of the architectural fixture of FIG. 8.

The broken lines in the drawings depict portions of the architectural fixture that form no part of the claimed design.

**1 Claim, 10 Drawing Sheets**



(58) **Field of Classification Search**

CPC .. E04B 2001/2481; E04B 1/84; E04B 1/8404;  
 E04B 9/00; E04B 1/86; E04B 2001/1984;  
 E04B 9/225; E04B 9/24; E04B 9/242;  
 E04B 9/0414; E04B 9/065; E04B 9/127;  
 E04B 9/0428; E04B 9/0464; E04B 1/82;  
 E04B 2001/8263; E04B 2001/8281; E04B  
 2001/8423; E04B 2001/8461; E04B  
 2001/8495; E04B 2001/8433; E04B  
 2001/848; E04B 2001/8476; E04B  
 2001/8428; E04B 2001/8442; E04F  
 13/00; E04F 13/0871

See application file for complete search history.

(56) **References Cited**

U.S. PATENT DOCUMENTS

3,305,997 A \* 2/1967 Booth ..... E04B 1/19  
 52/652.1

3,389,513 A \* 6/1968 Ruggles ..... E04B 7/107  
 52/16  
 D231,350 S \* 4/1974 Ishida et al. .... D25/144  
 3,849,237 A \* 11/1974 Zetlin ..... E01D 1/00  
 14/73  
 4,672,780 A \* 6/1987 Lockwood ..... E04B 1/3211  
 52/630  
 4,862,652 A \* 9/1989 Lockwood ..... E04B 1/3211  
 52/82  
 D608,029 S \* 1/2010 Martin ..... D25/138  
 D645,578 S \* 9/2011 Martin ..... D25/138  
 D679,836 S \* 4/2013 Niroumandrad ..... D25/113  
 D686,348 S \* 7/2013 Martin ..... D25/138  
 9,284,726 B2 \* 3/2016 Tien ..... B32B 37/0084  
 D810,323 S \* 2/2018 Gigli ..... D25/138  
 2014/0349082 A1 \* 11/2014 Tien ..... B64C 1/00  
 428/179  
 2017/0073968 A1 \* 3/2017 Kilian ..... E04B 9/225

\* cited by examiner

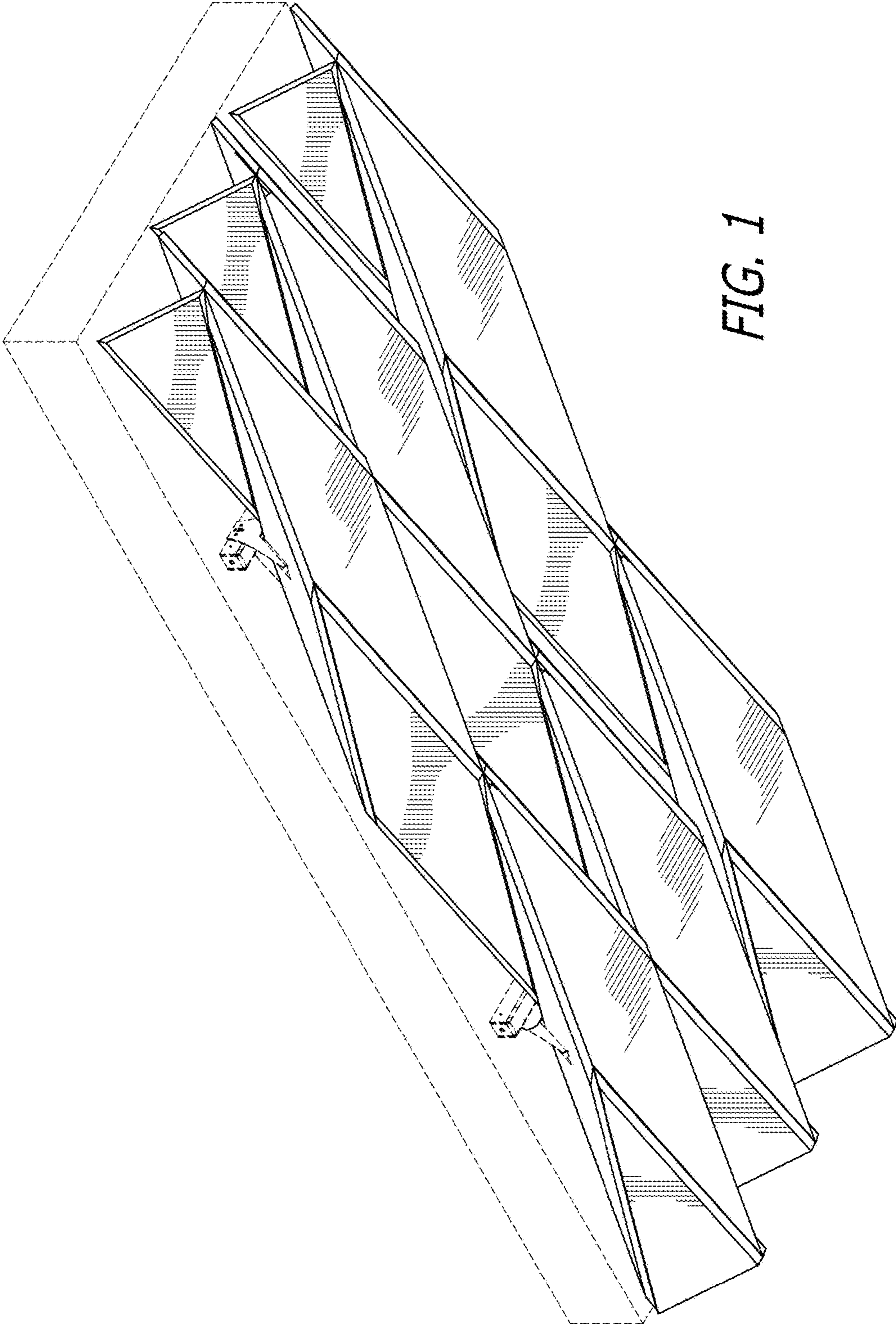


FIG. 1

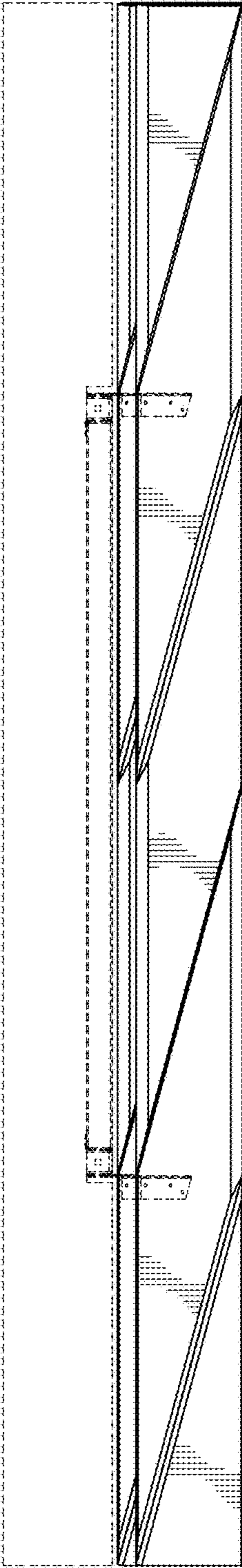


FIG. 2

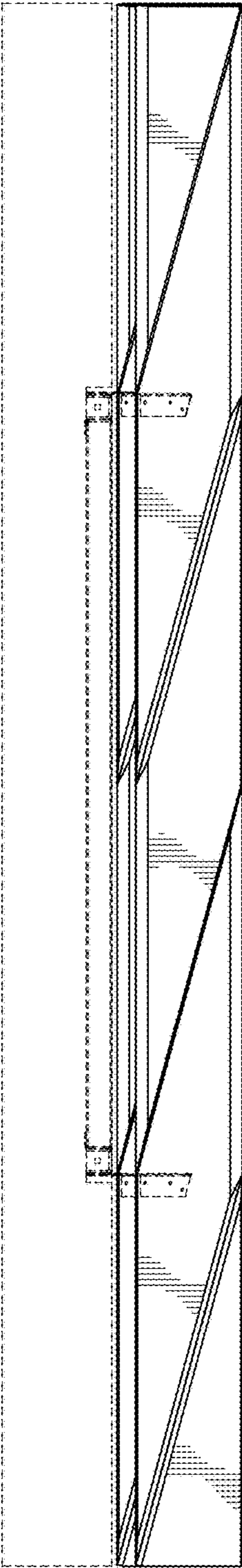
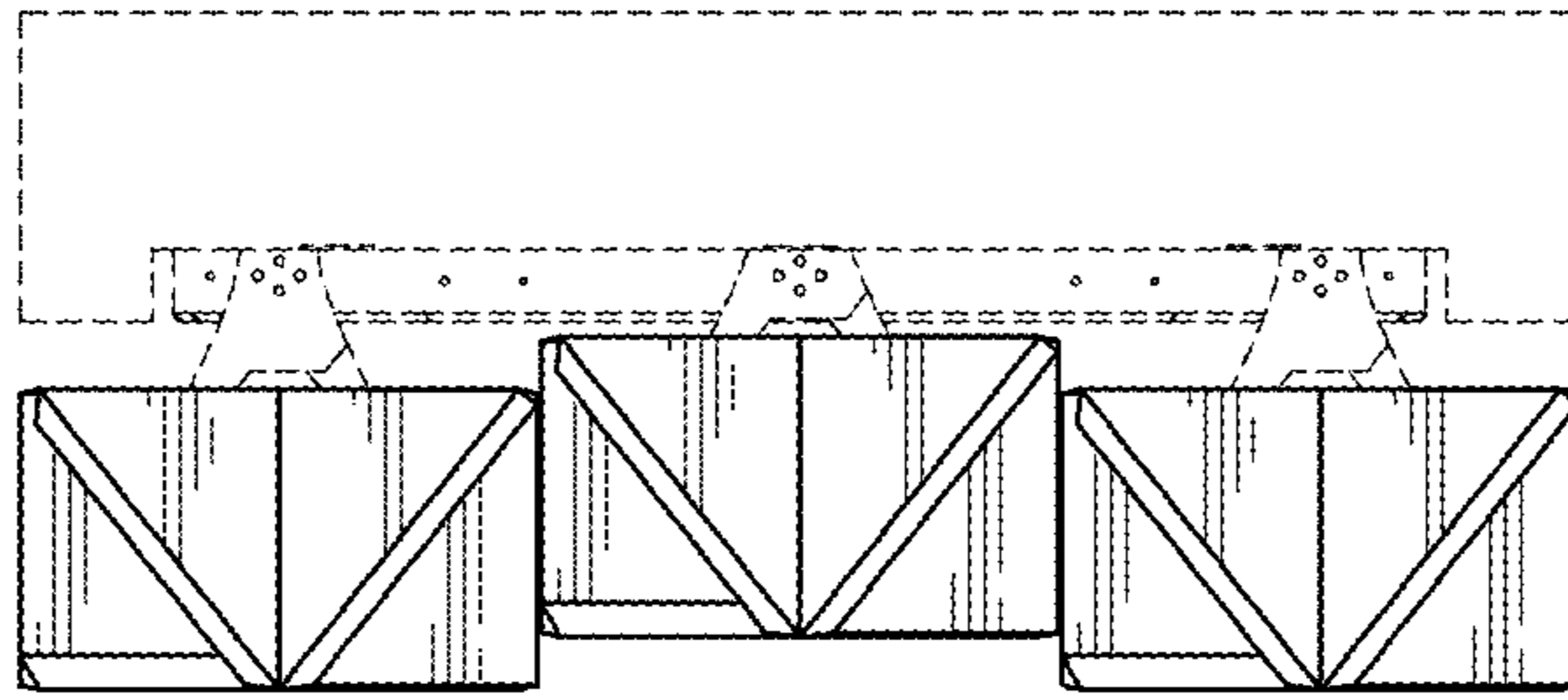
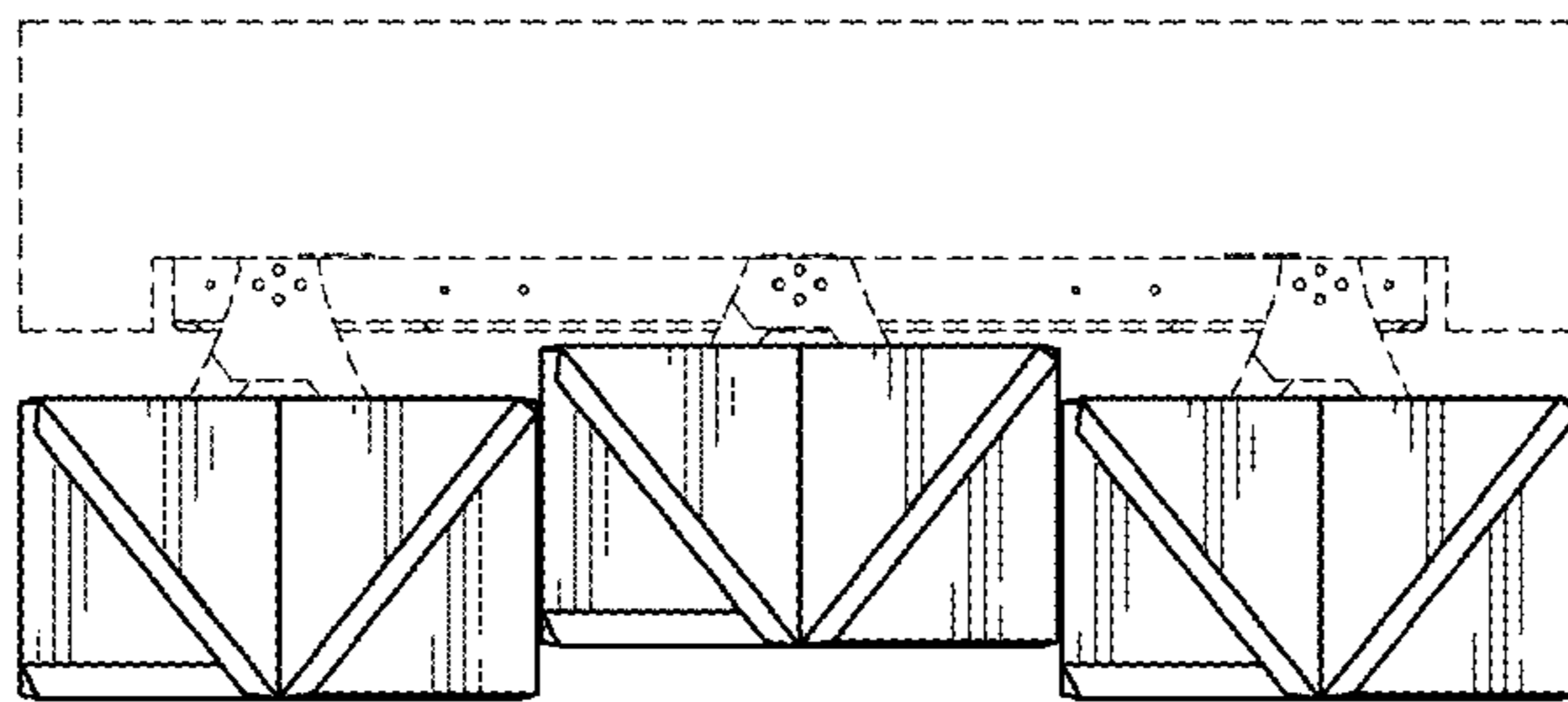


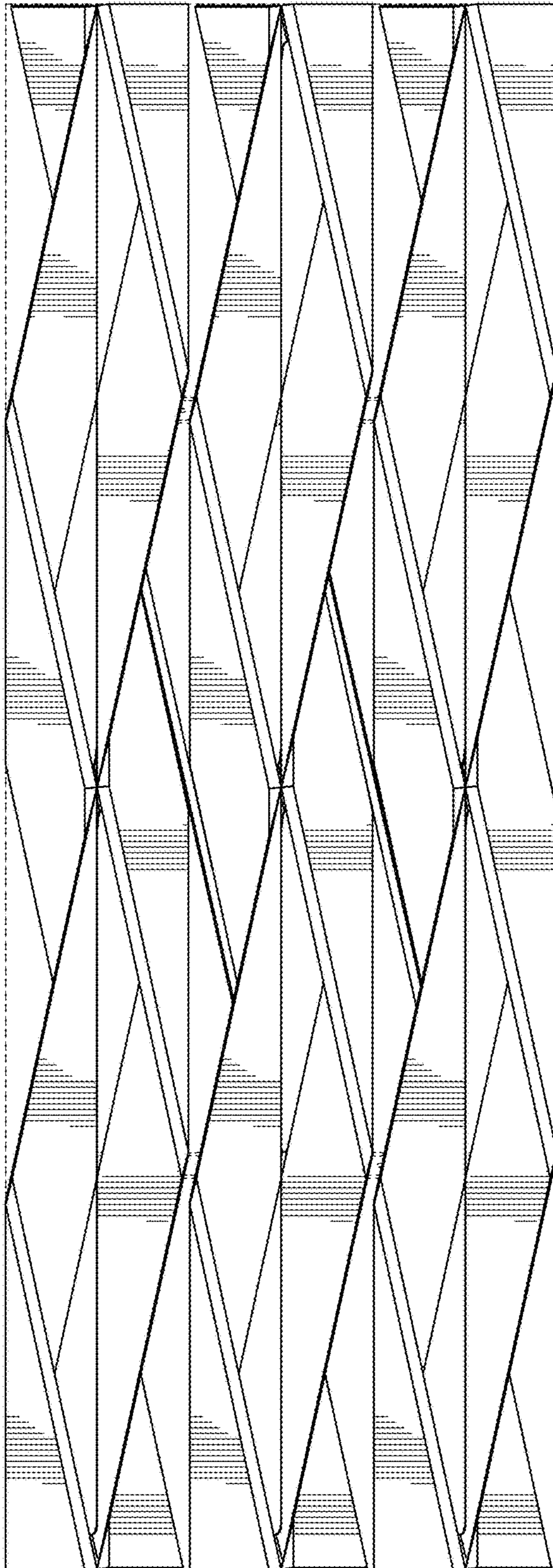
FIG. 3



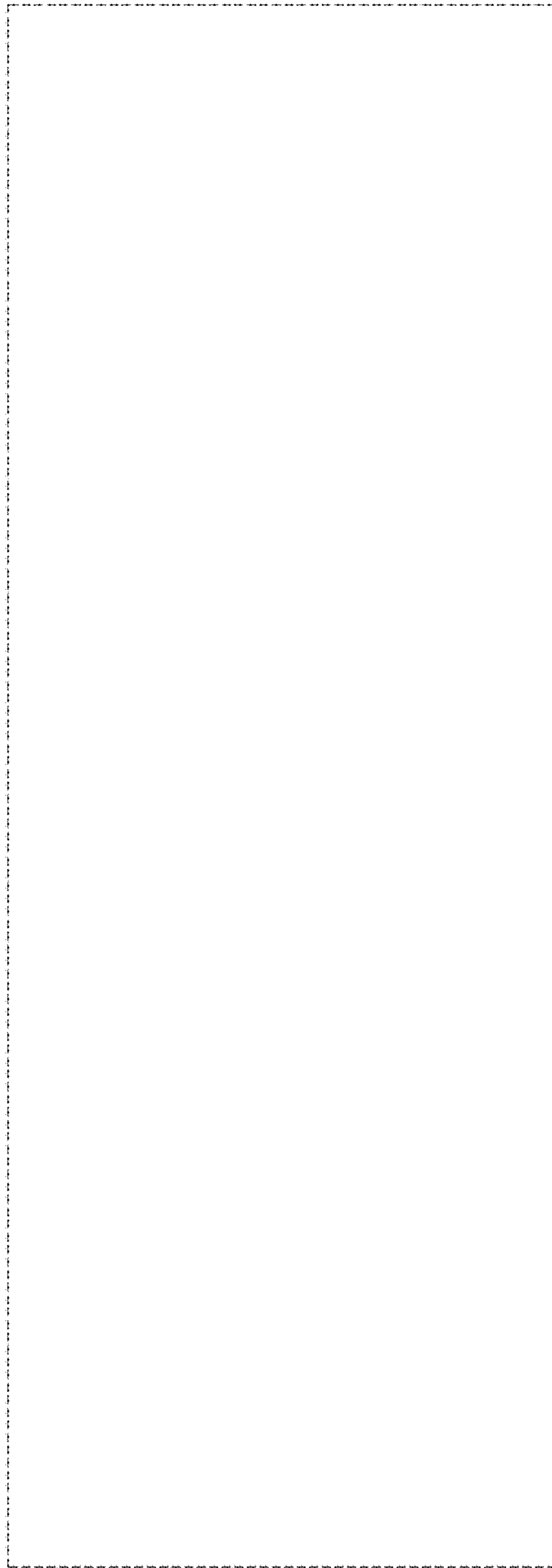
*FIG. 4*



*FIG. 5*



*FIG. 6*



*FIG. 7*

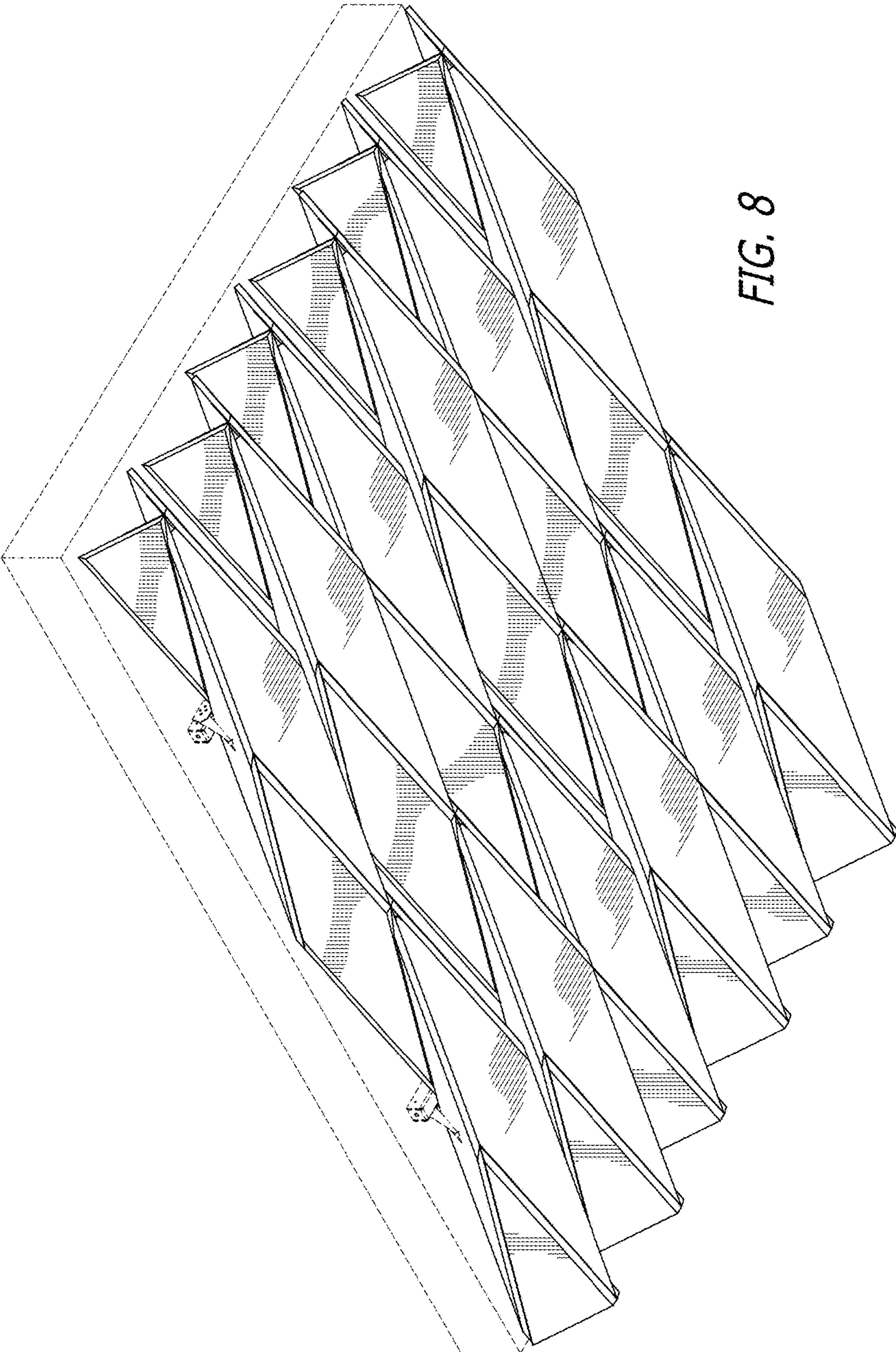


FIG. 8



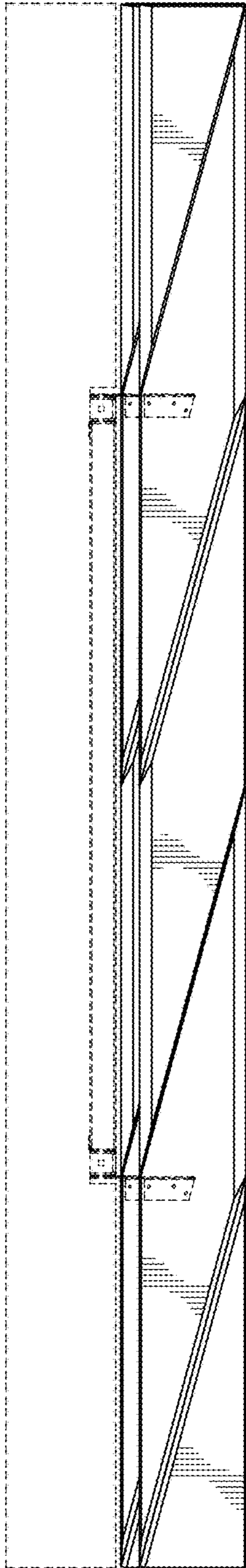


FIG. 9

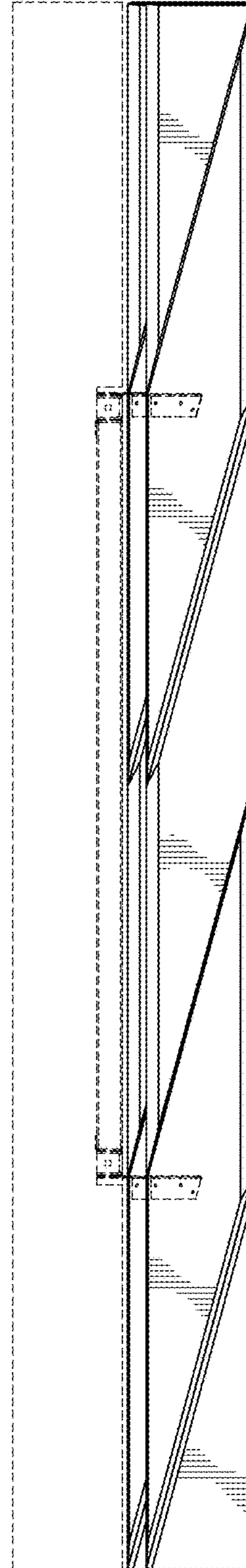
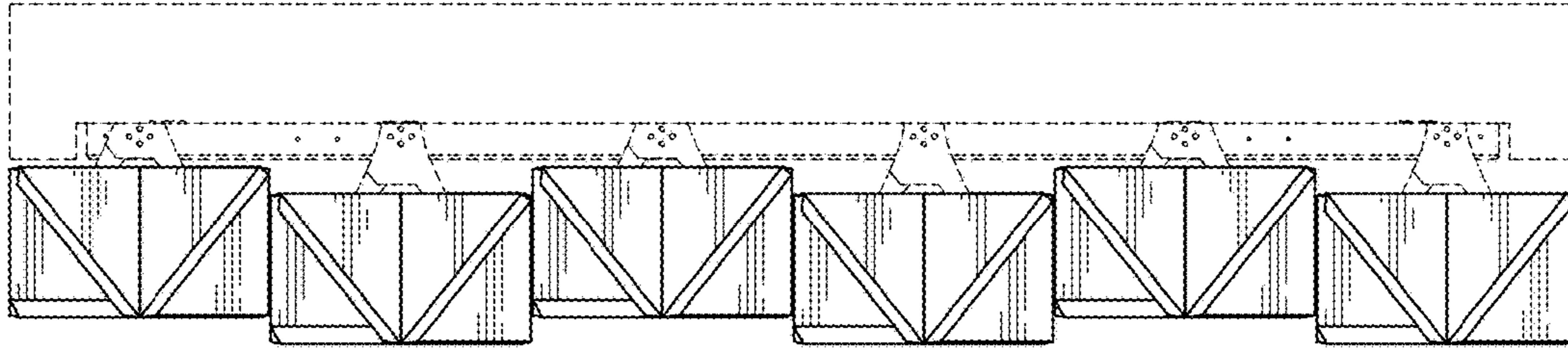
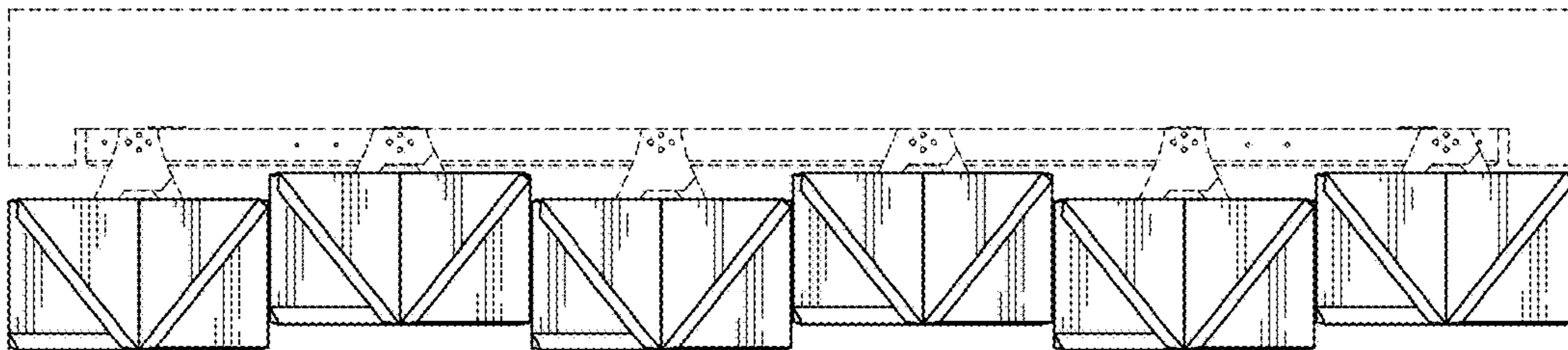


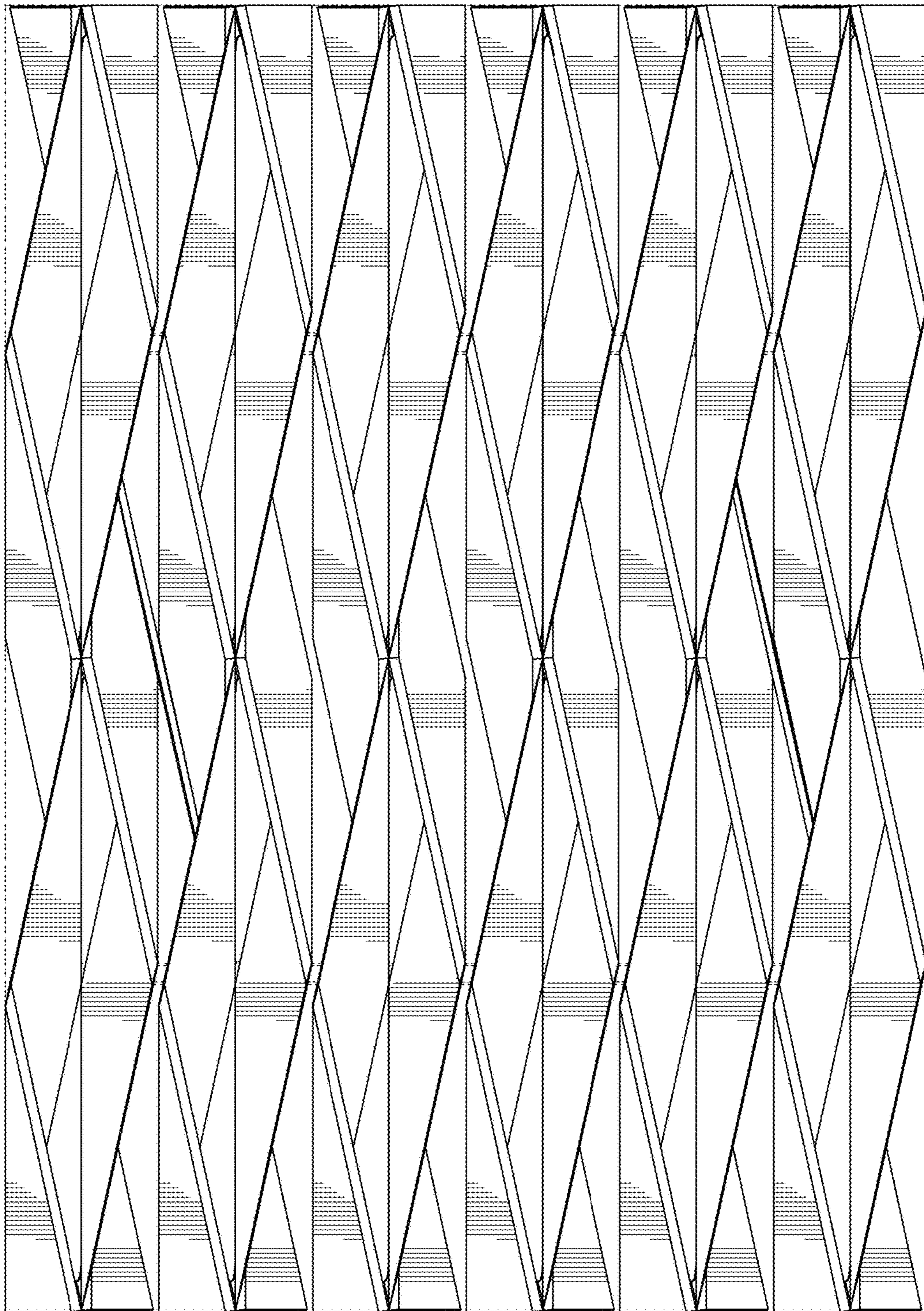
FIG. 10



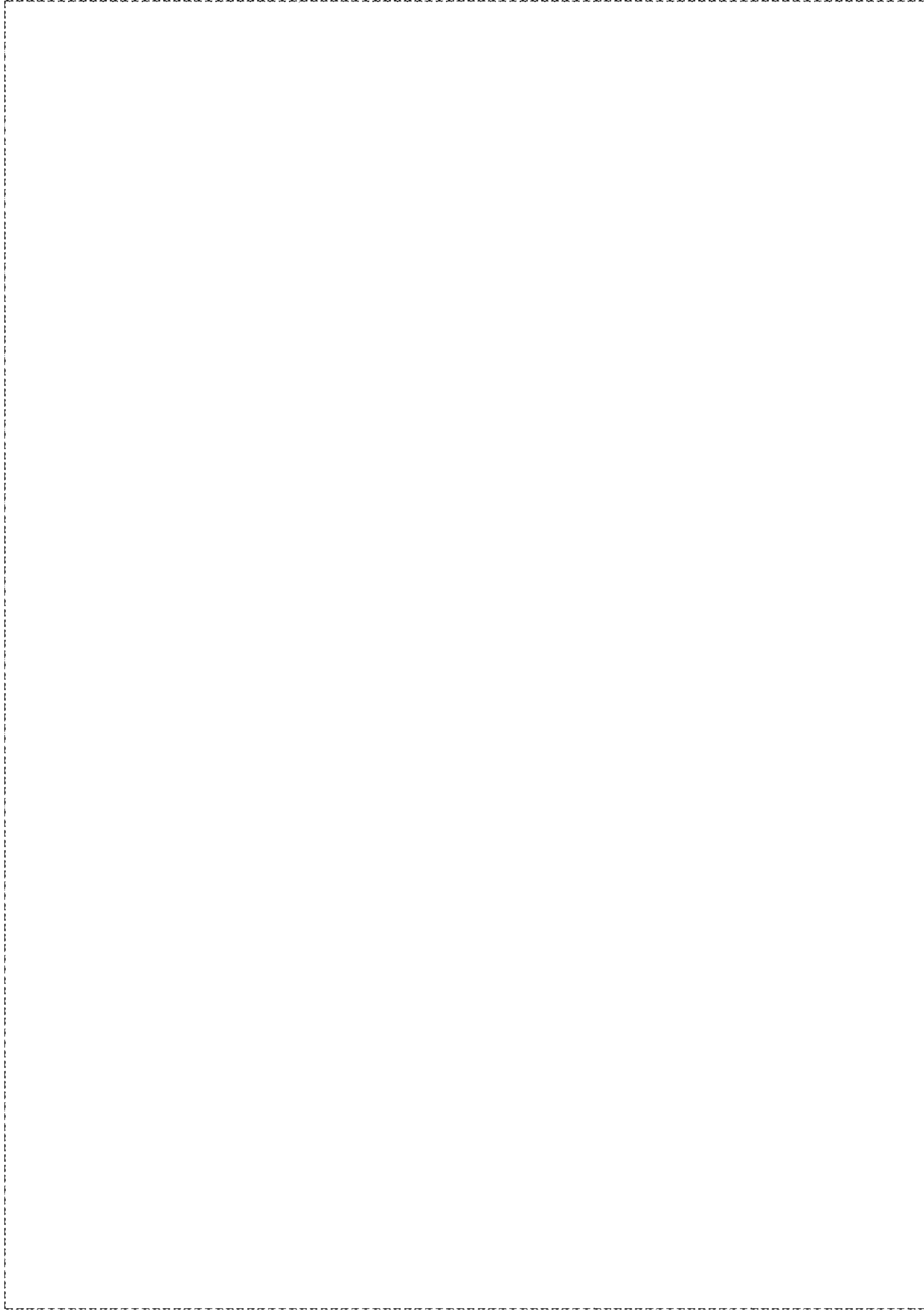
*FIG. 11*



*FIG. 12*



*FIG. 13*



*FIG. 14*