



US00D840545S

(12) **United States Design Patent** (10) **Patent No.:** **US D840,545 S**  
**Dovrin et al.** (45) **Date of Patent:** **\*\* \*Feb. 12, 2019**

(54) **DISPOSABLE INSERT FOR USE WITH TREATMENT DEVICES**

(71) Applicant: **LUMENIS LTD.**, Yokneam Ilit (IL)

(72) Inventors: **Boaz Dovrin**, Binyamina (IL); **Eyal Benisty**, Kfar Hachoshesh (IL)

(73) Assignee: **LUMENIS LTD.**, Yokneam Ilit (IL)

(\*) Notice: This patent is subject to a terminal disclaimer.

(\*\*) Term: **15 Years**

(21) Appl. No.: **29/590,778**

(22) Filed: **Jan. 13, 2017**

(51) **LOC (11) Cl.** ..... **28-03**

(52) **U.S. Cl.**  
USPC ..... **D24/209**

(58) **Field of Classification Search**  
USPC ..... D24/107, 108, 122, 133, 137-138, 140, D24/142, 144, 186, 187, 231, 232, D24/209-210, 200, 158; D10/75; D14/433, 434; D8/72, 349, 380; 606/1, 606/10, 11, 13, 131, 31, 16, 2-4, 9; 607/88-95, 100, 101; 604/20, 22  
CPC ... A61B 18/20; A61B 18/2005; A61B 18/201; A61B 18/2015; A61B 18/203; A61B 18/2035; A61N 2005/67

See application file for complete search history.

(56) **References Cited**

U.S. PATENT DOCUMENTS

D604,843	S	*	11/2009	Braynin	.....	D24/133
D608,881	S	*	1/2010	Ramstad	.....	D24/108
8,206,406	B2	*	6/2012	Orban, III	.....	A61B 19/2203 600/102
D670,397	S	*	11/2012	Ely	.....	D24/209
D676,960	S	*	2/2013	Flyash	.....	D24/133
D713,537	S	*	9/2014	Ben-Haim	.....	D24/200
D771,051	S	*	11/2016	Beck	.....	D13/108

\* cited by examiner

*Primary Examiner* — Anhdao Doan

*Assistant Examiner* — Mary Malley

(74) *Attorney, Agent, or Firm* — ISUS Intellectual Property PLL; A. Jason Mirabito

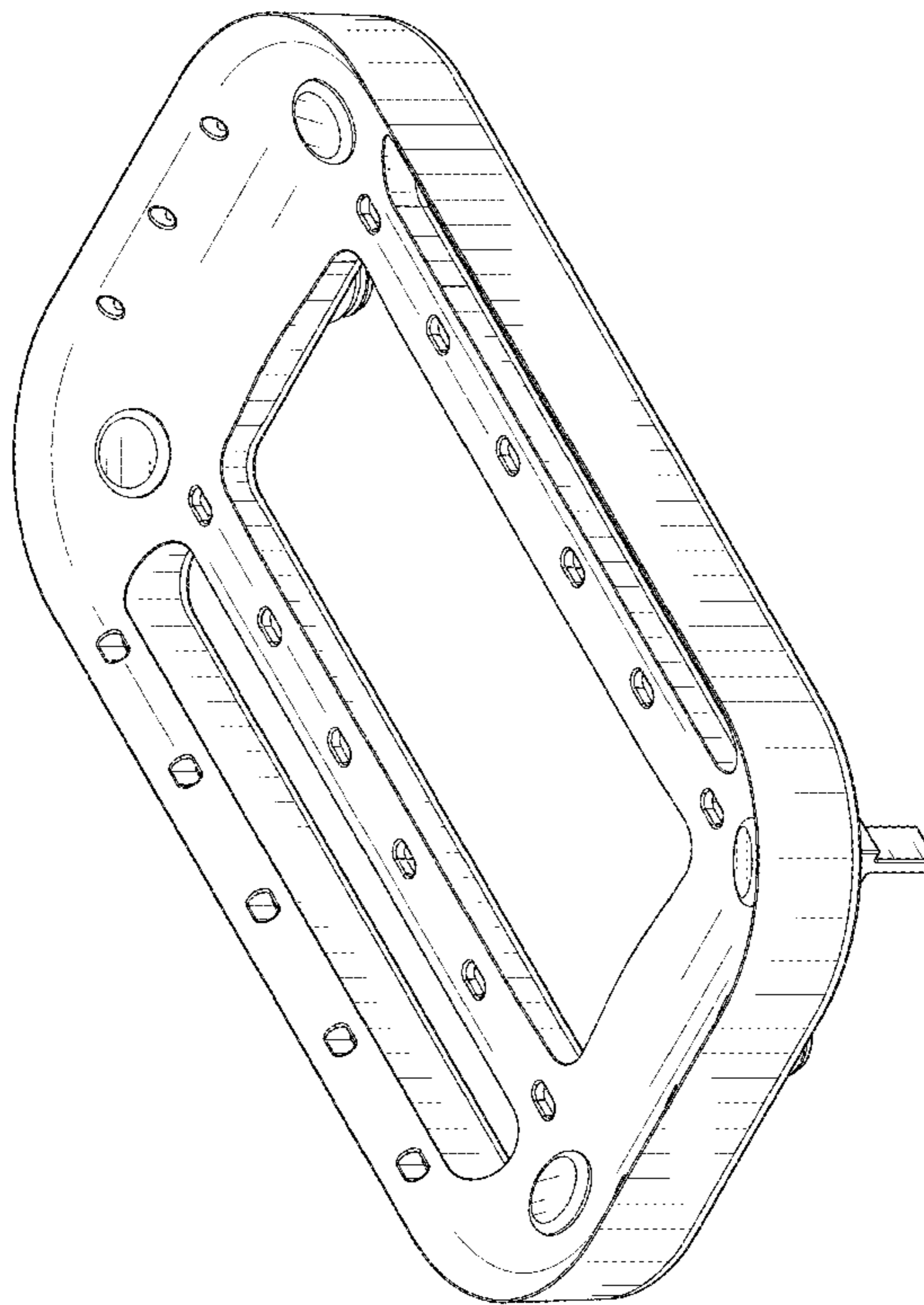
(57) **CLAIM**

The ornamental design for a disposable insert for use with treatment devices, as shown and described.

**DESCRIPTION**

FIG. 1 is a front perspective view of the new design.  
FIG. 2 is a front view of the new design.  
FIG. 3 is a rear view of the new design.  
FIG. 4 is a right side view of the new design.  
FIG. 5 is a left side view of the new design.  
FIG. 6 is a top view of the new design; and,  
FIG. 7 is a bottom view of the new design.

**1 Claim, 5 Drawing Sheets**



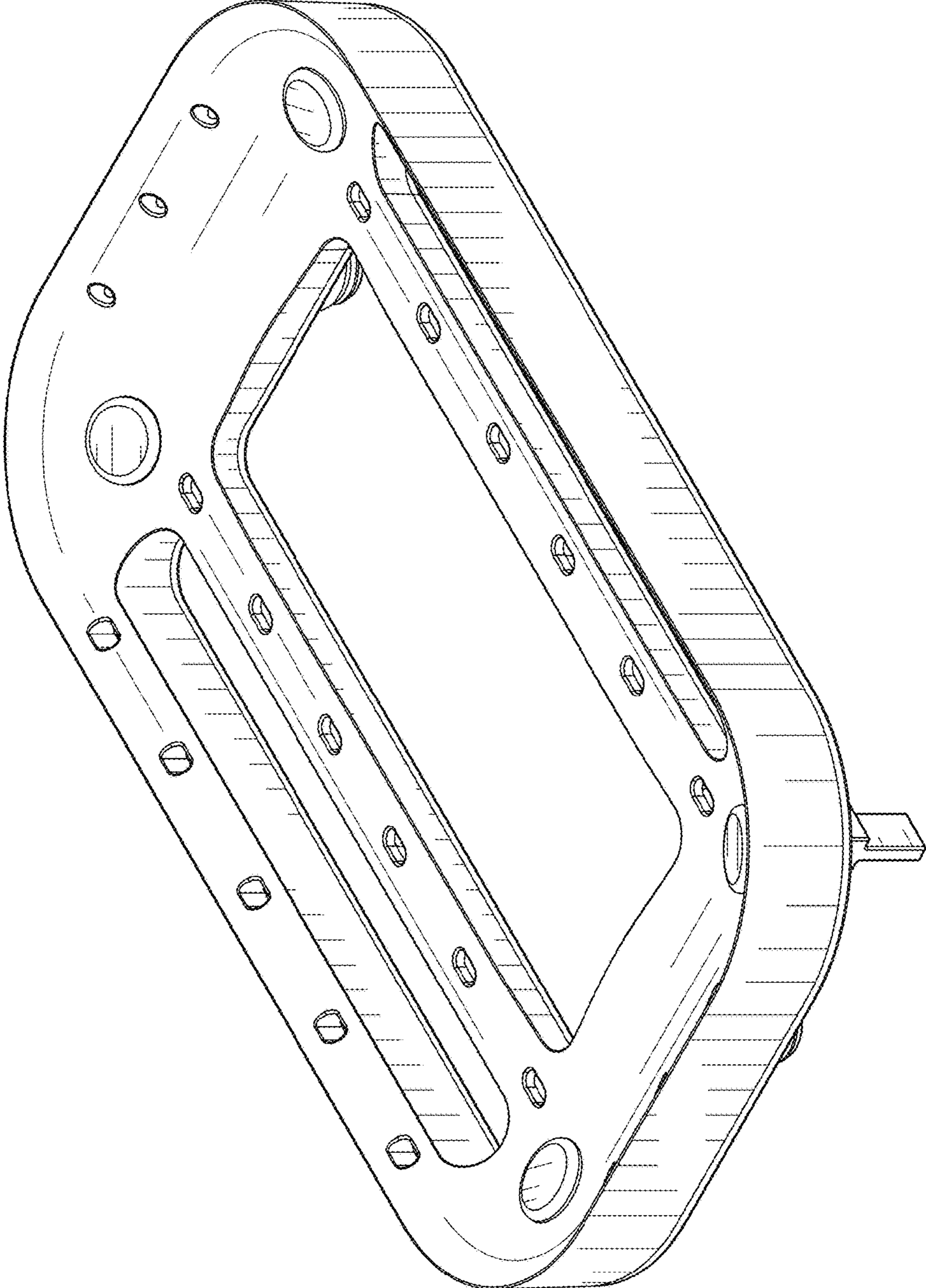


FIG. 1

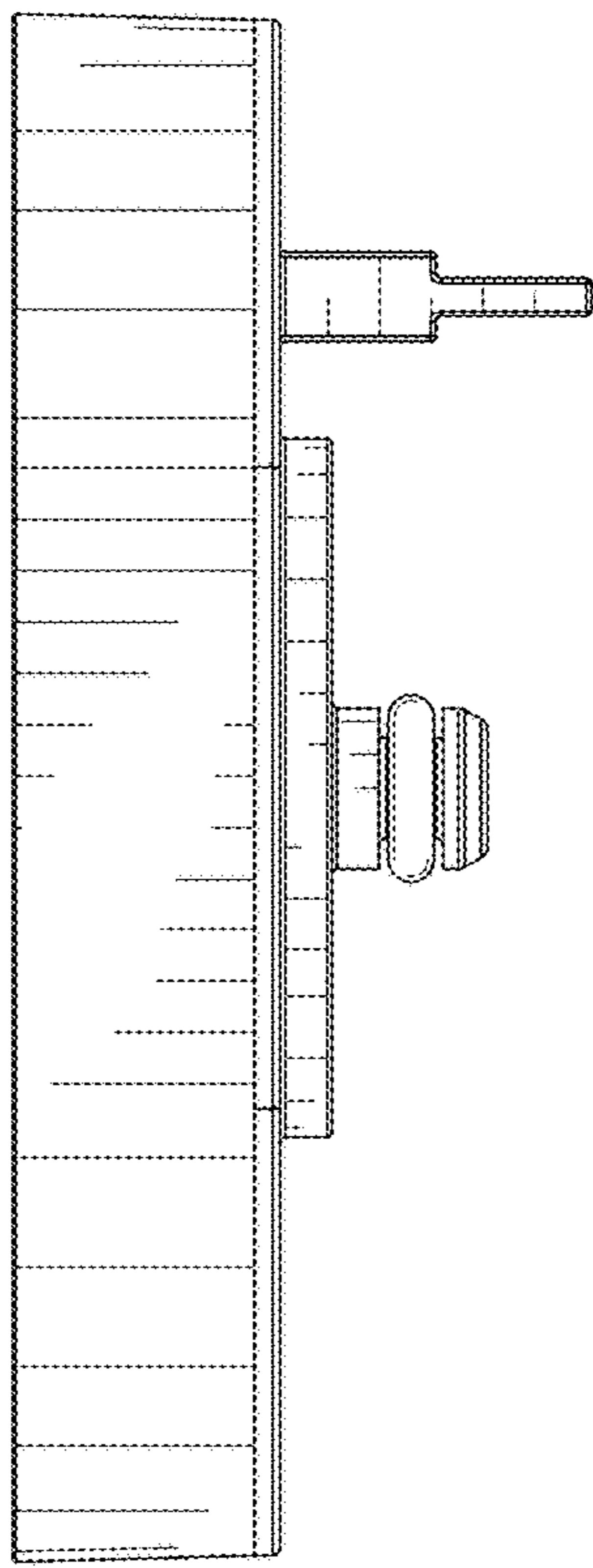


FIG. 2

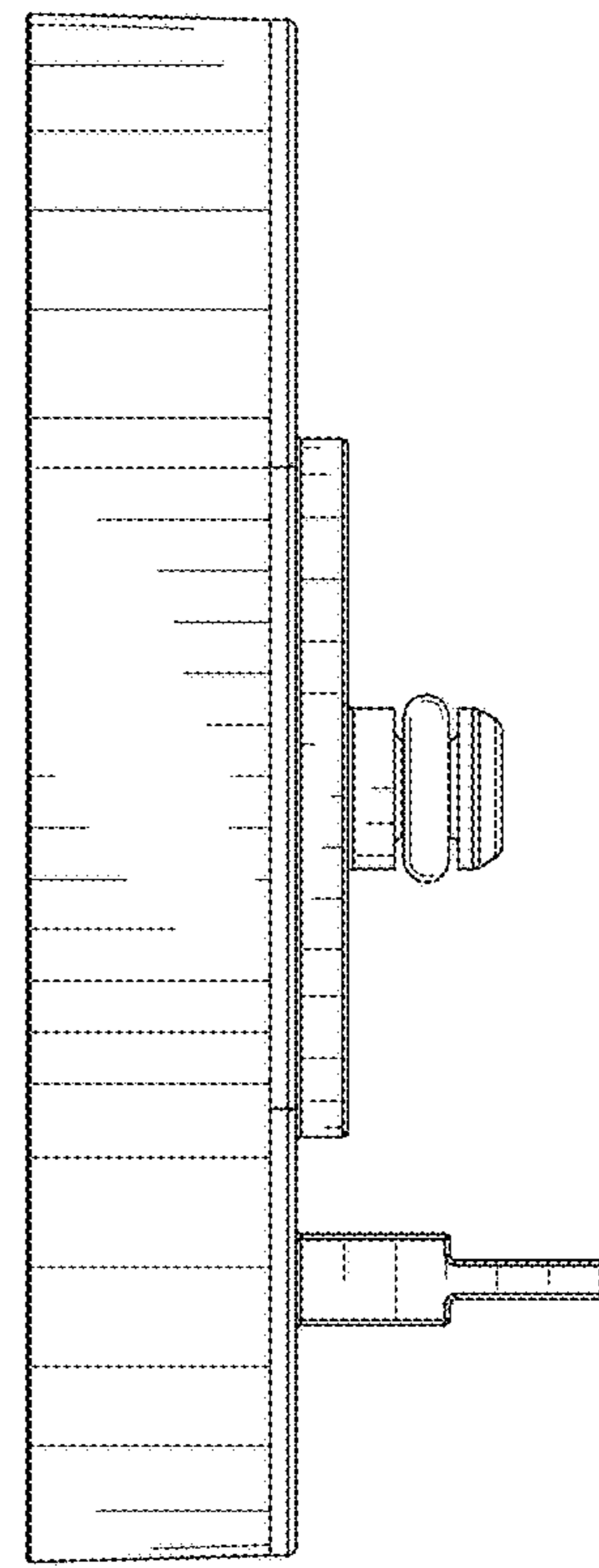


FIG. 3

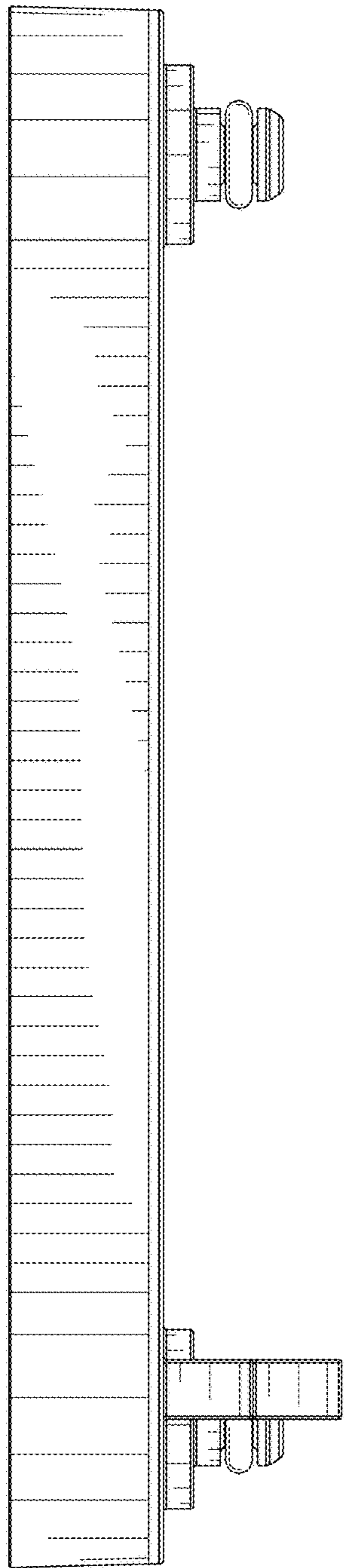


FIG. 4

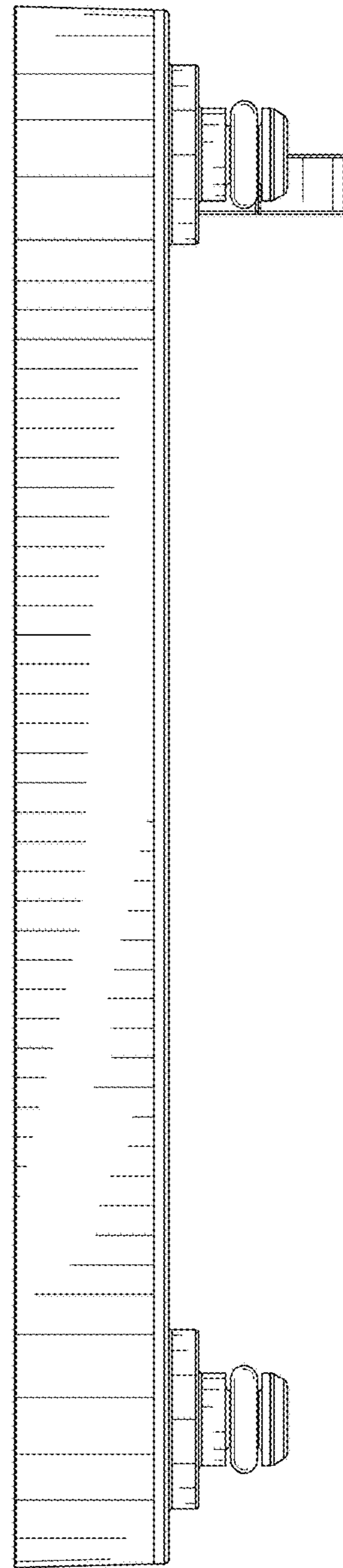


FIG. 5

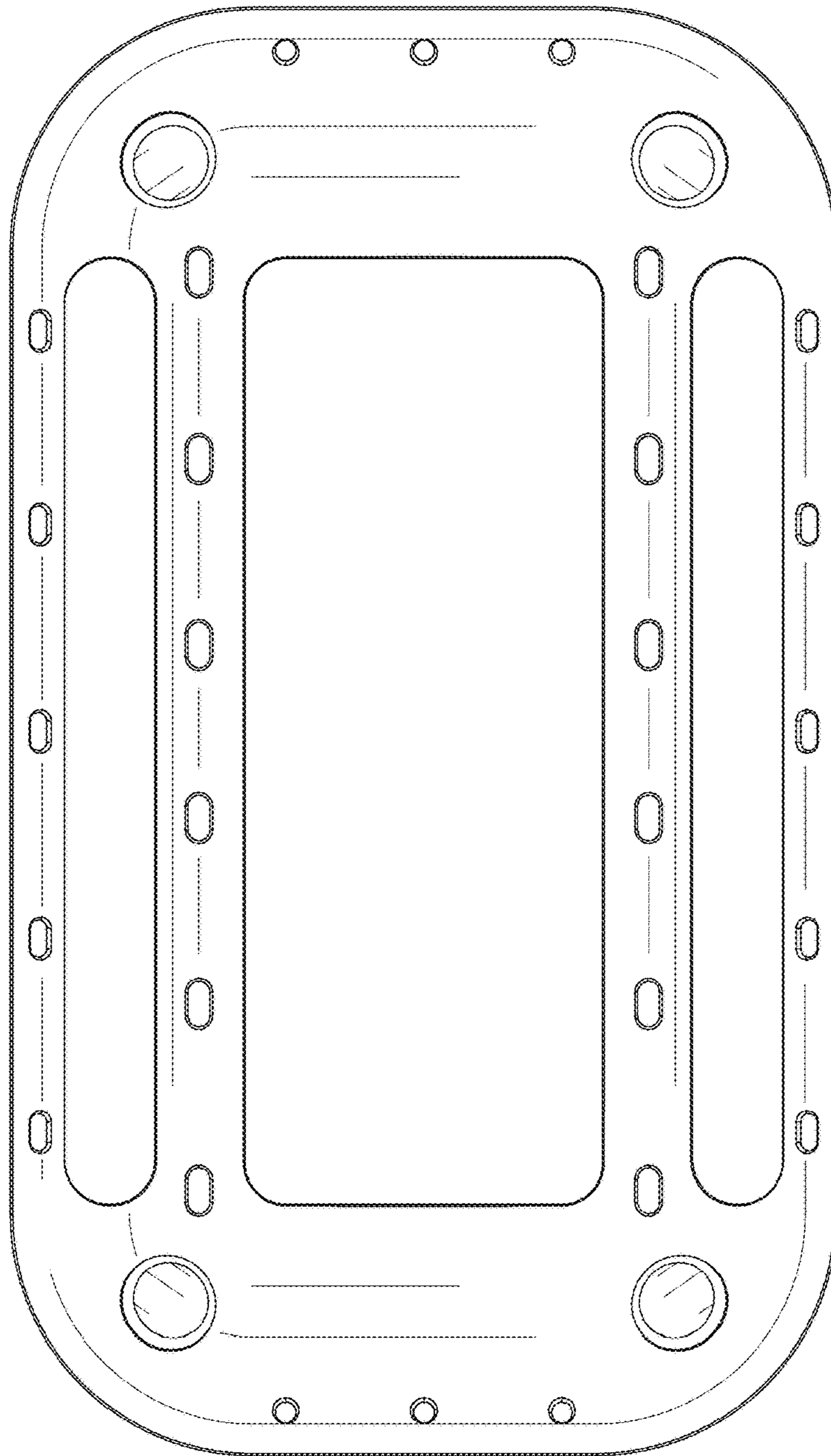


FIG. 6

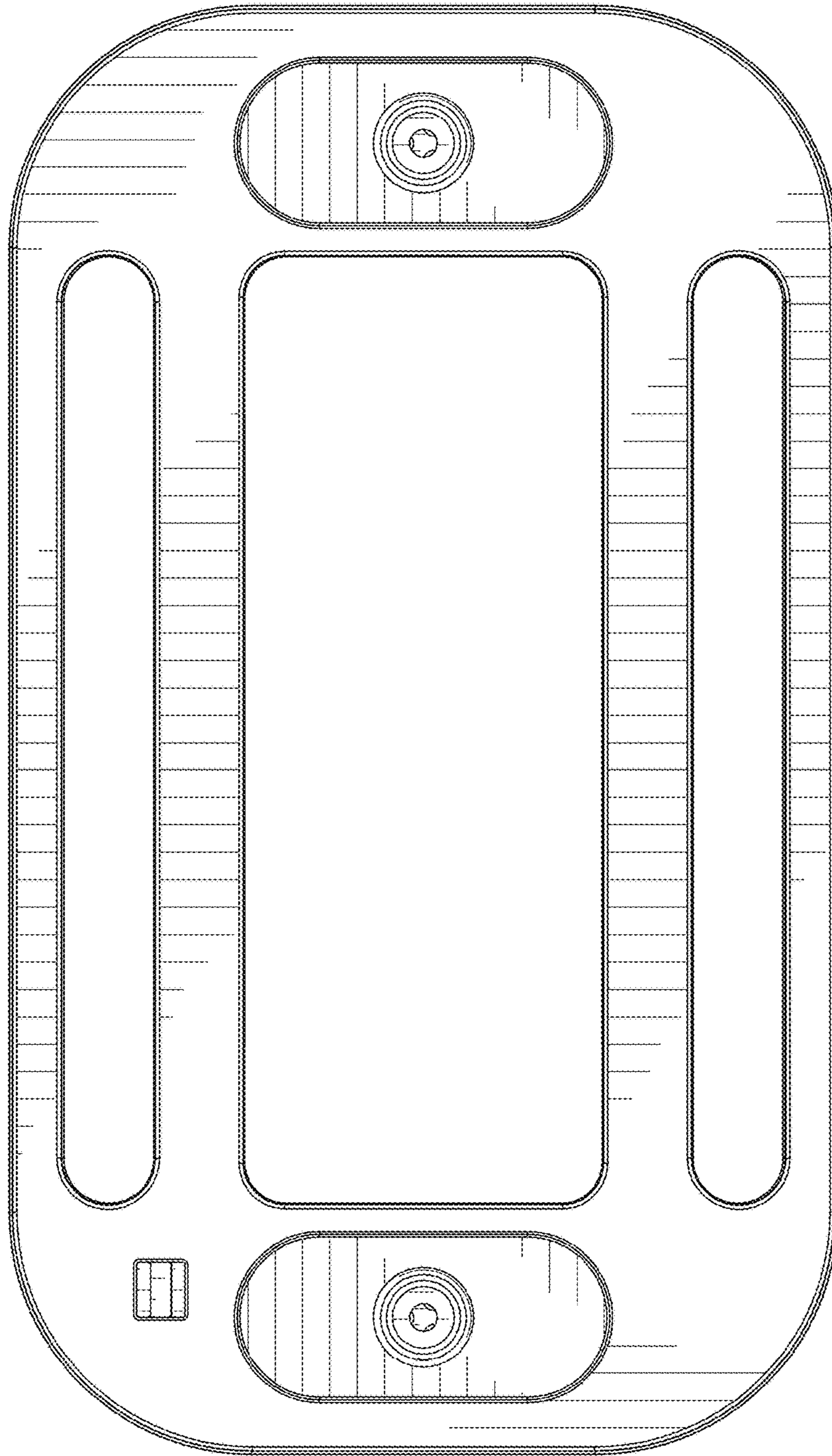


FIG. 7