



US00D840543S

(12) **United States Design Patent**  
**Cahen**

(10) **Patent No.:** **US D840,543 S**  
(45) **Date of Patent:** **\*\* Feb. 12, 2019**

- (54) **DENTAL APPLIANCE**
- (71) Applicant: **FERTON HOLDING S.A.**, Delemont (CH)
- (72) Inventor: **Antoine Cahen**, Lausanne (CH)
- (73) Assignee: **FERTON HOLDING S.A.**, Delemont (CH)
- (\*\*) Term: **15 Years**
- (21) Appl. No.: **29/654,041**
- (22) Filed: **Jun. 20, 2018**

7,152,739 B1	12/2006	Burleson	
D581,058 S	11/2008	Elkerbout	
D593,198 S	5/2009	Neumeister et al.	
8,314,605 B2 *	11/2012	Pruckner .....	A61C 1/0015 324/120
D705,937 S	5/2014	Bausback	
D751,717 S	3/2016	Kagawa	

**Related U.S. Application Data**

- (62) Division of application No. 29/568,093, filed on Jun. 15, 2016.

**Foreign Application Priority Data**

- Dec. 15, 2015 (EP) ..... 002911123
- (51) **LOC (11) Cl.** ..... **24-02**
- (52) **U.S. Cl.**  
USPC ..... **D24/176**
- (58) **Field of Classification Search**  
USPC ..... D24/176-178, 111, 217, 221; 433/25,  
433/49, 77, 83, 229  
CPC ..... A47K 1/09; A61C 19/002; A61C 19/005;  
A61C 19/02; A61C 5/60; A61C 5/66;  
A61G 15/14; A61G 15/16  
See application file for complete search history.

**References Cited**

**U.S. PATENT DOCUMENTS**

D287,628 S	1/1987	Schiavo et al.
D438,953 S	3/2001	Frank
D476,743 S	7/2003	D'Silva et al.

**OTHER PUBLICATIONS**

Dental air scaler / complete set / with air polisher Airflow® Prophylaxis Master EMS Electro Medical Systems. Retrieved on Sep. 18, 2018. Retrived from the Internet: <URL: <http://www.medicalexpo.com/prod/ems-electro-medical-systems/product-68360-809207.html>.\*

\* cited by examiner

*Primary Examiner* — Wan Laymon

(74) *Attorney, Agent, or Firm* — Arent Fox LLP

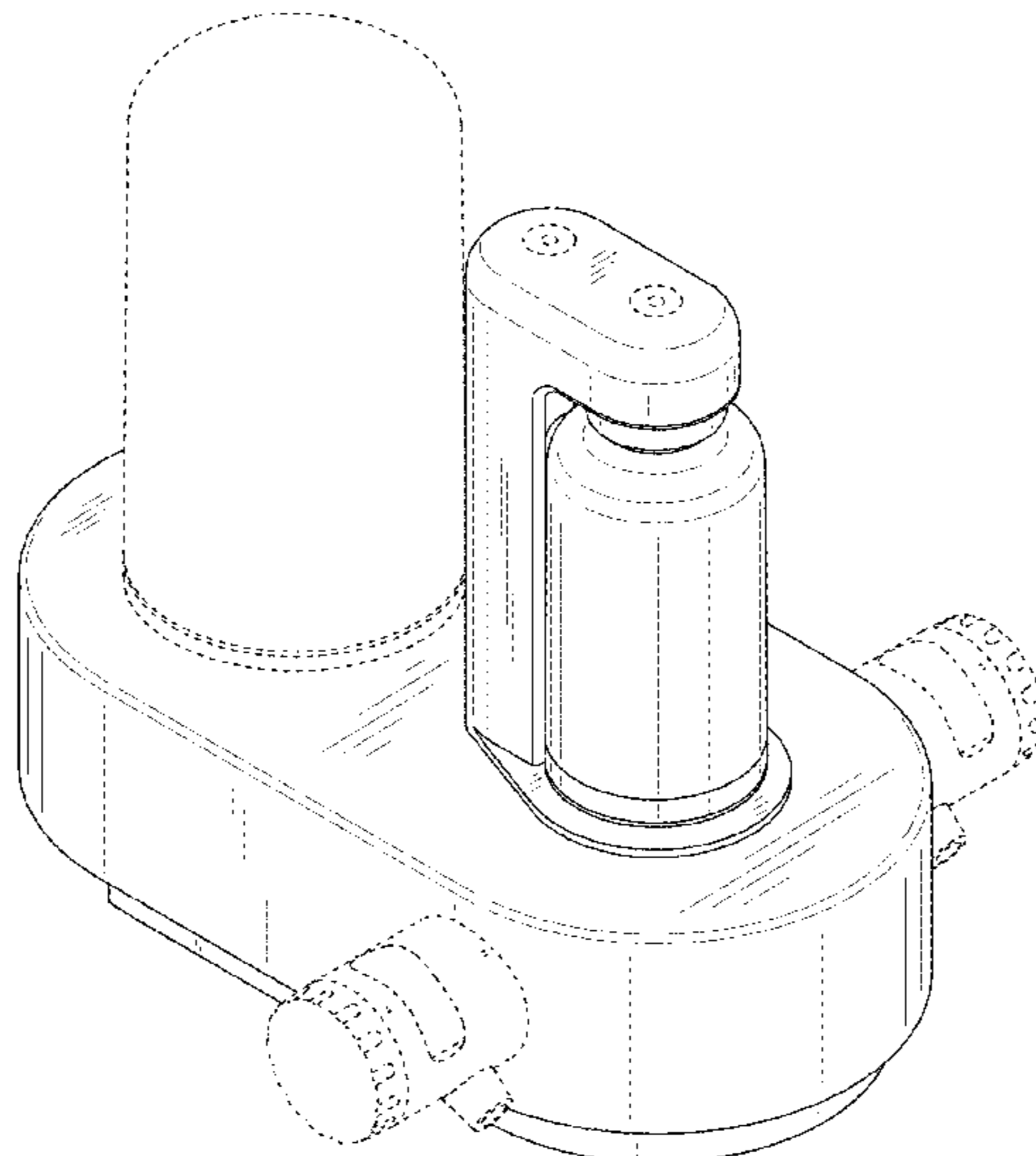
**CLAIM**

(57) The ornamental design for a dental appliance, as shown and described.

**DESCRIPTION**

FIG. 1 is a front perspective view of a dental appliance showing my new design;  
 FIG. 2 is a back perspective view of the design shown of FIG. 1;  
 FIG. 3 is a front view of the design shown of FIG. 1;  
 FIG. 4 is a back view of the design shown of FIG. 1;  
 FIG. 5 is a left side view of the design shown of FIG. 1;  
 FIG. 6 is a right side view of the design shown of FIG. 1;  
 FIG. 7 is a top view of the design shown of FIG. 1; and  
 FIG. 8 is a bottom view of the design shown of FIG. 1.  
 The broken lines in the Figures illustrate portions of the dental appliance that form no part of the claimed design.

**1 Claim, 8 Drawing Sheets**



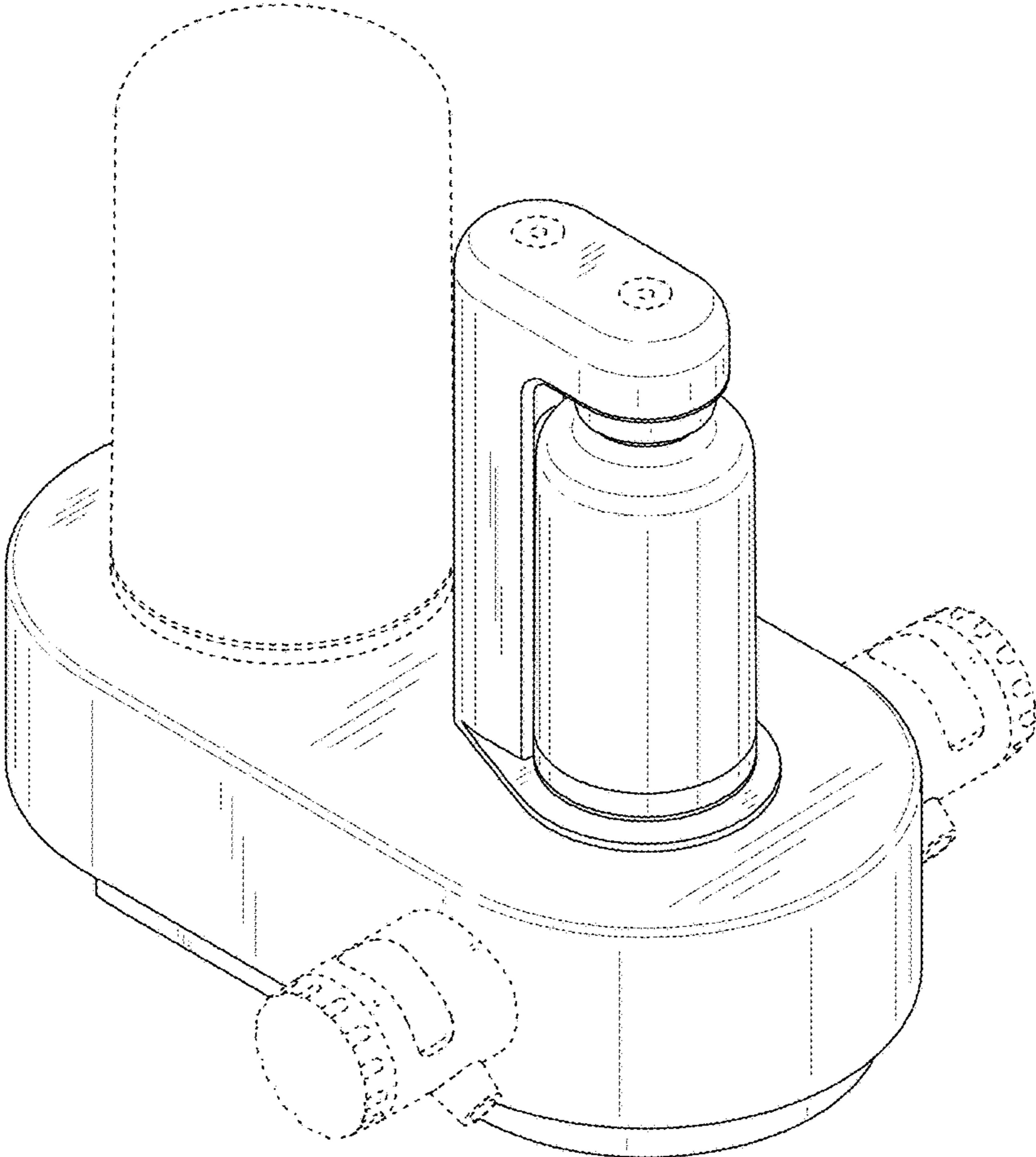


FIG. 1

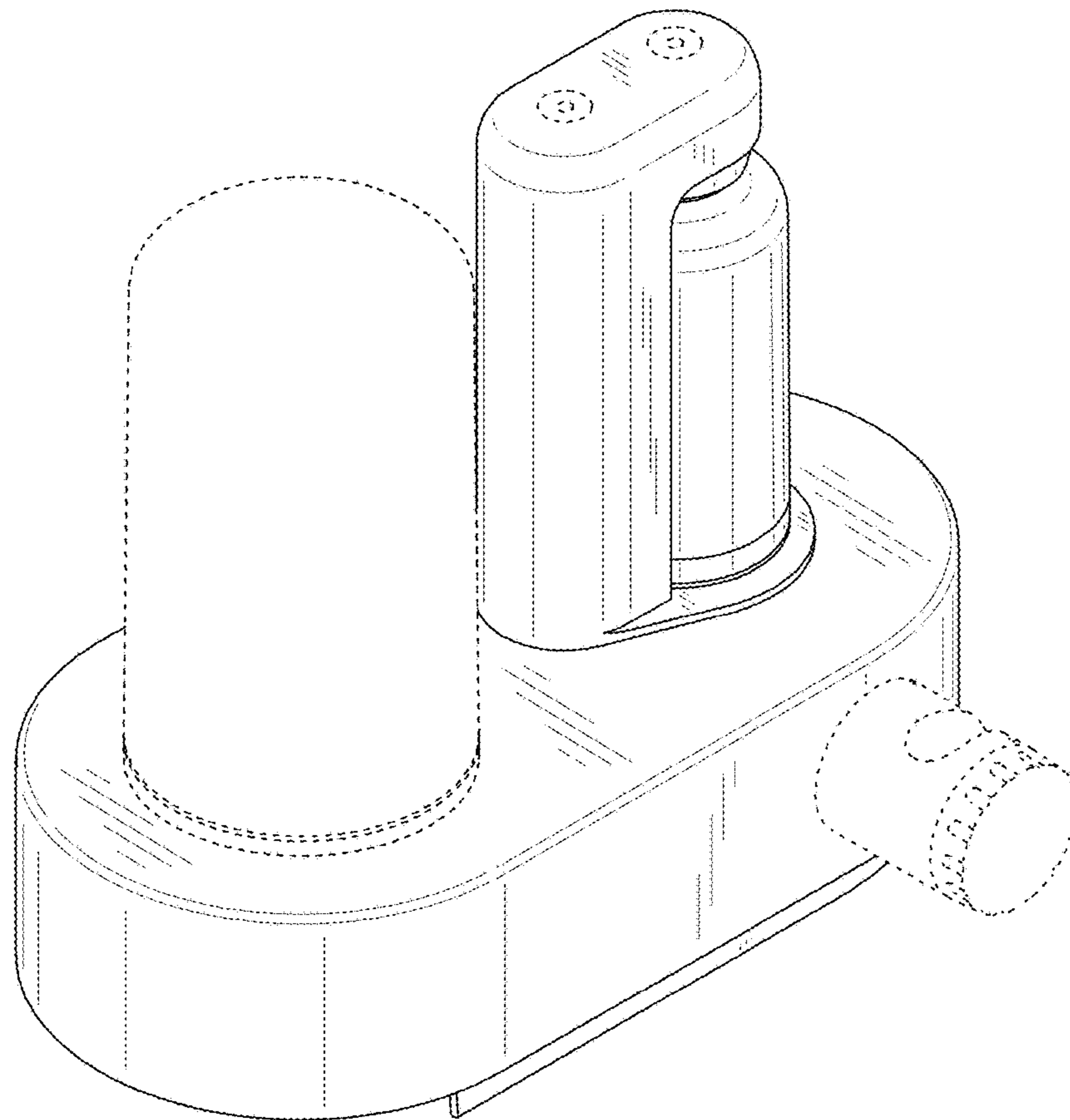


FIG. 2

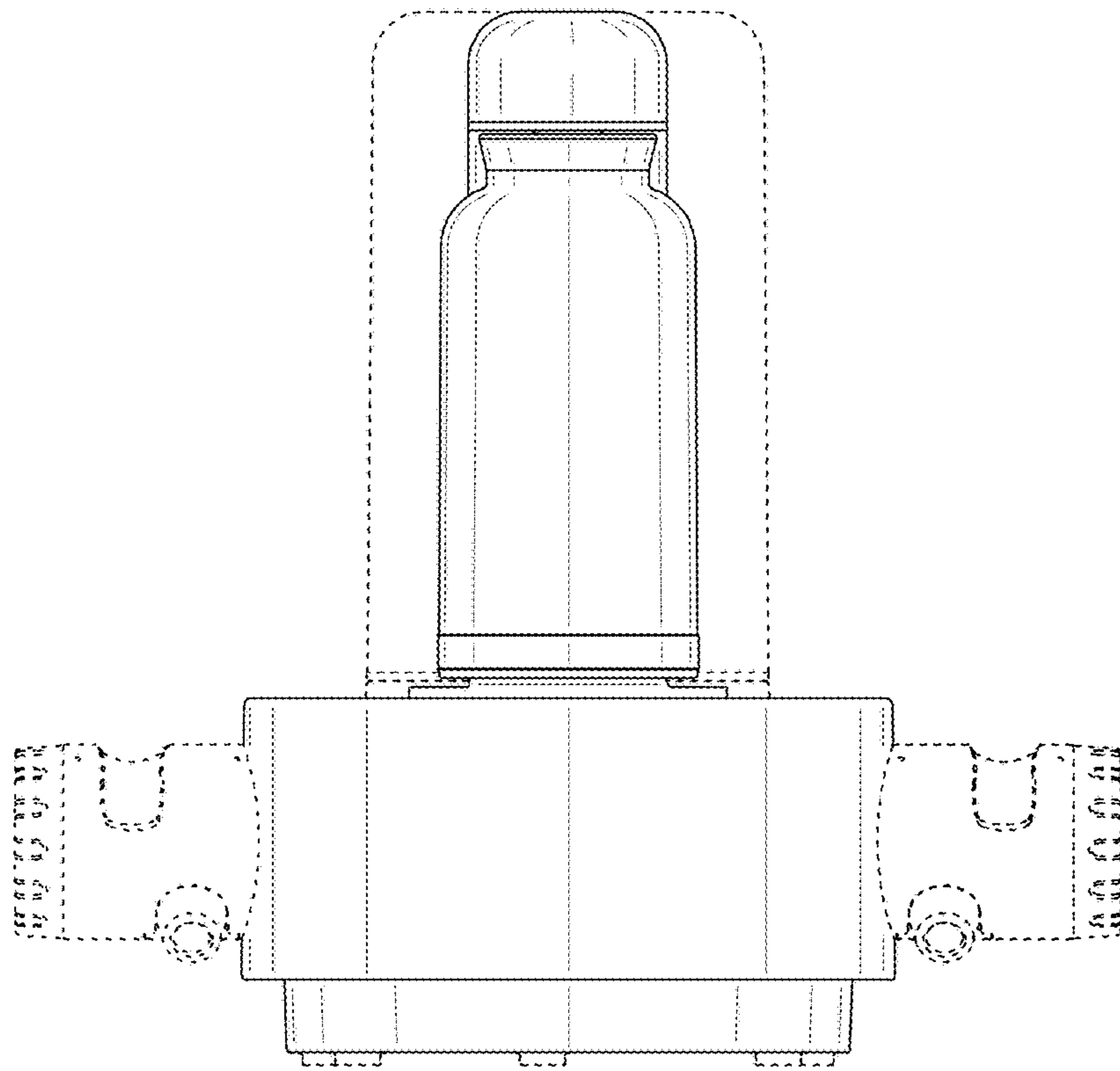


FIG. 3

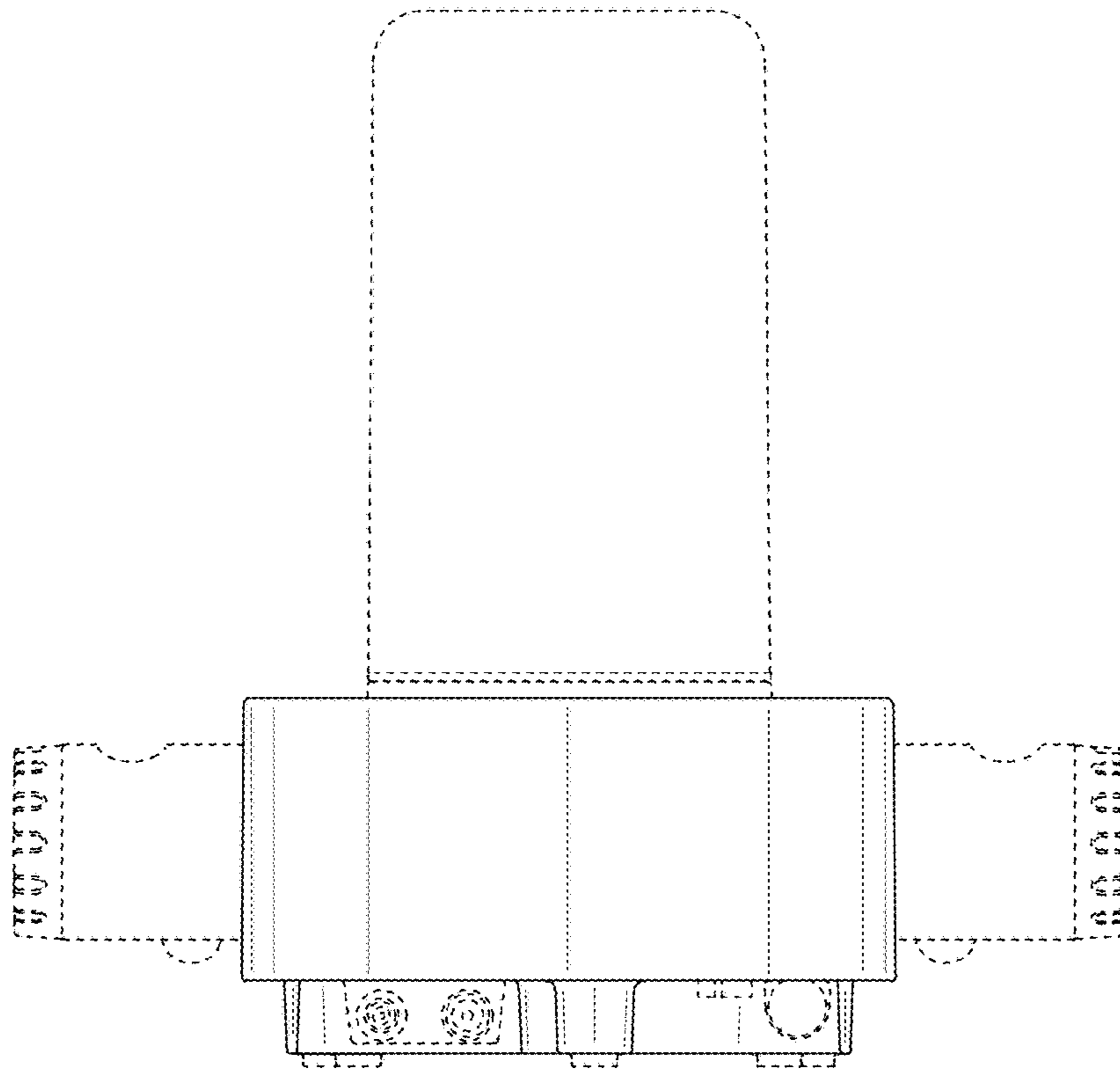


FIG. 4

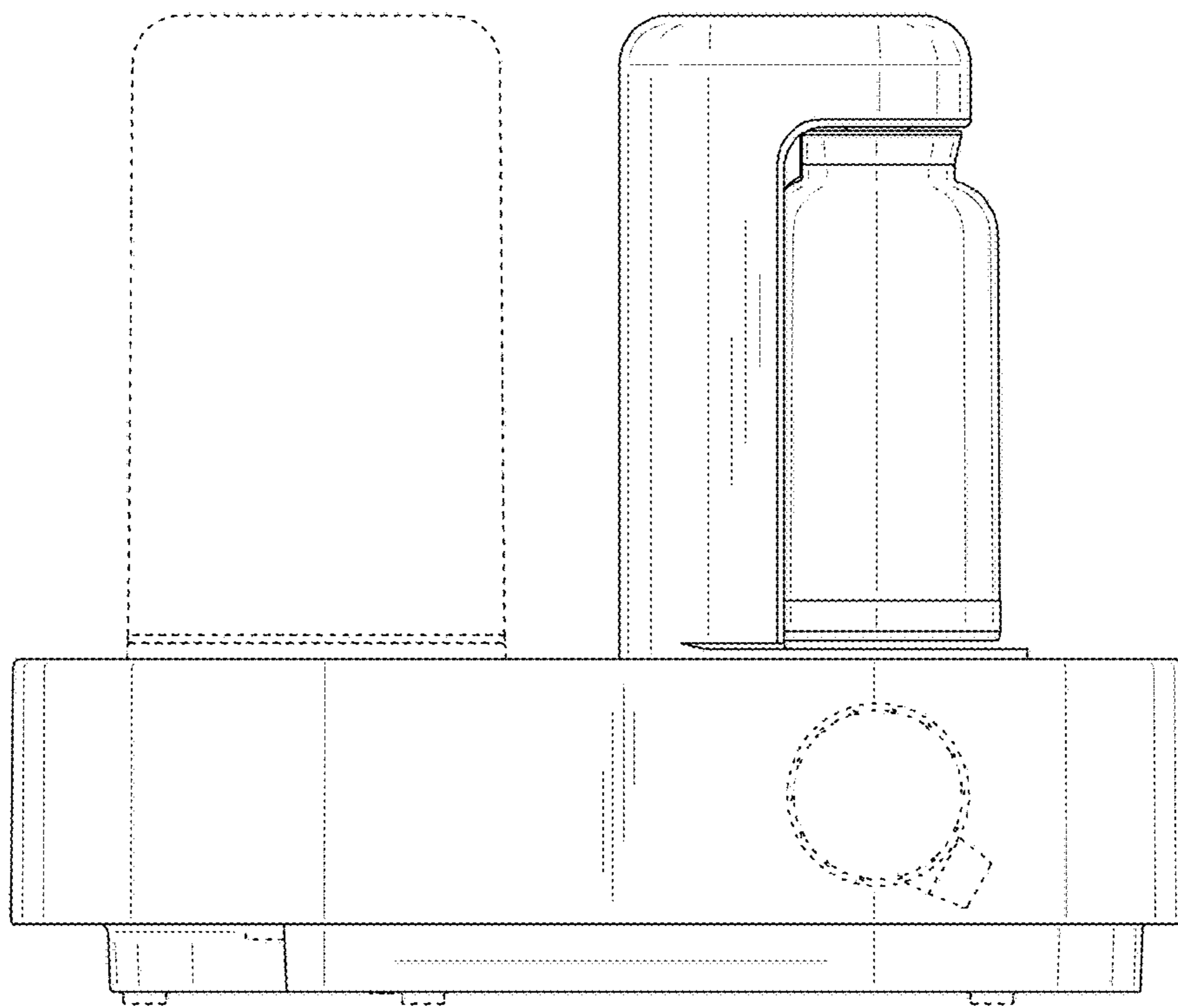


FIG. 5

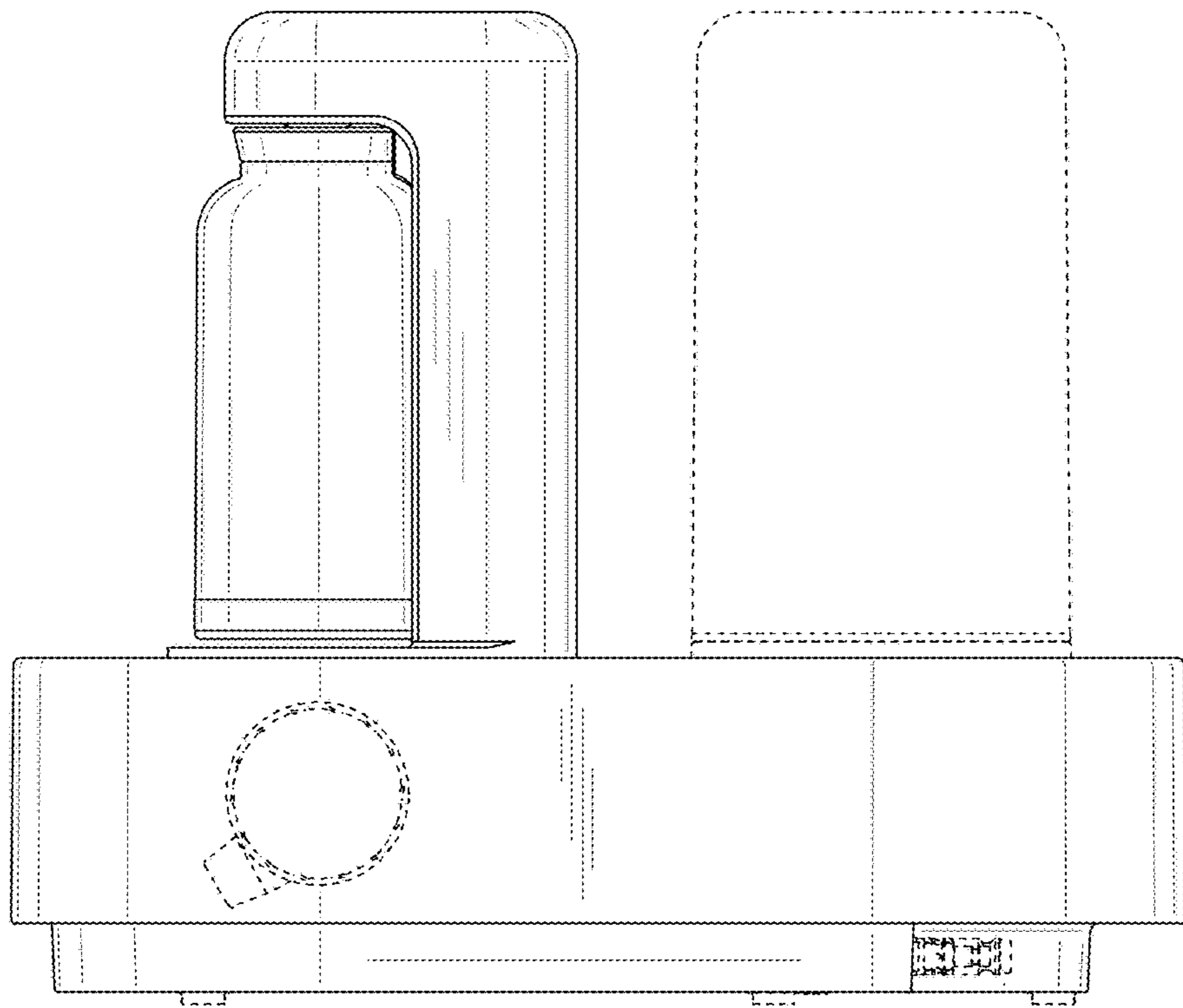


FIG. 6

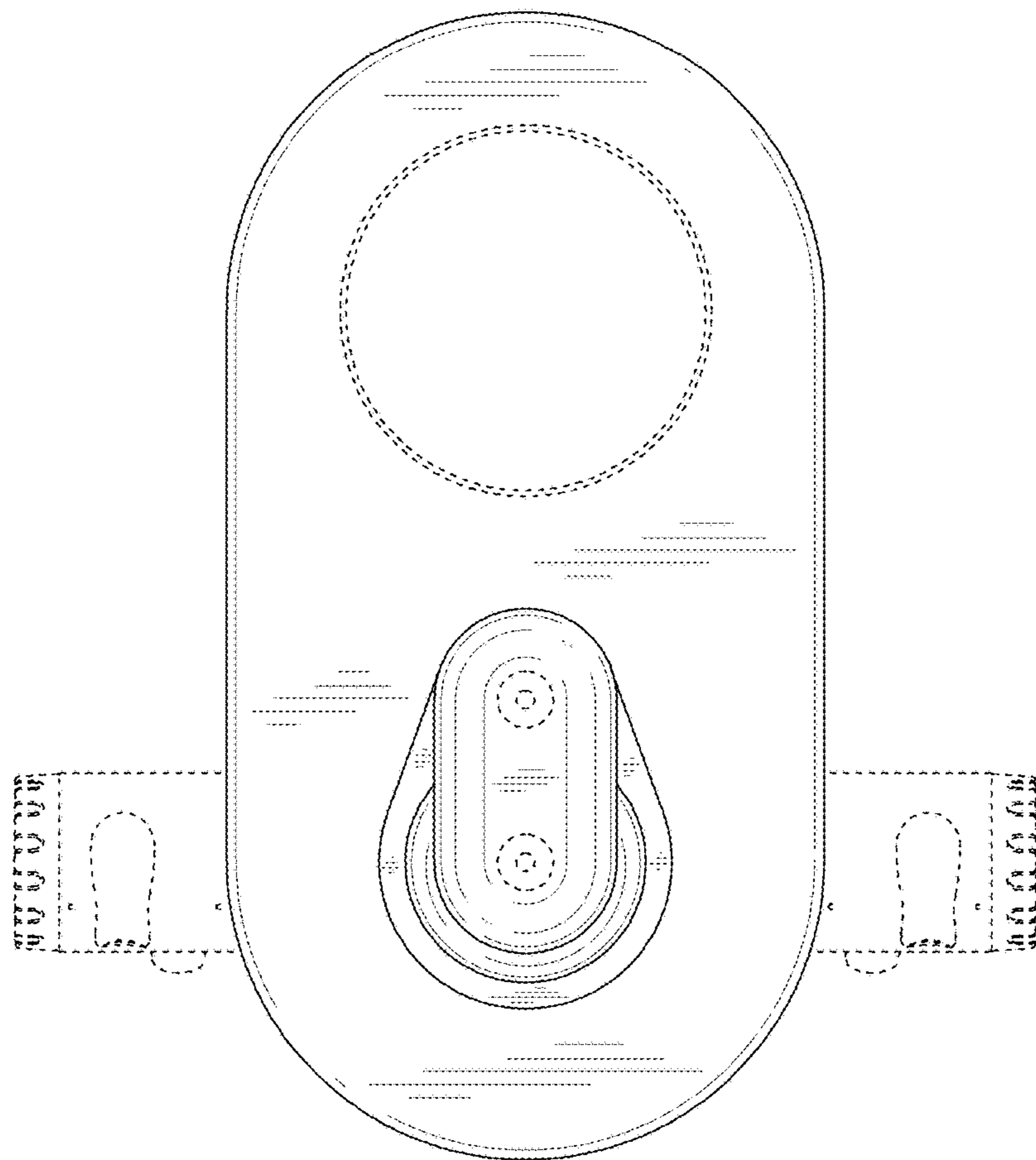


FIG. 7



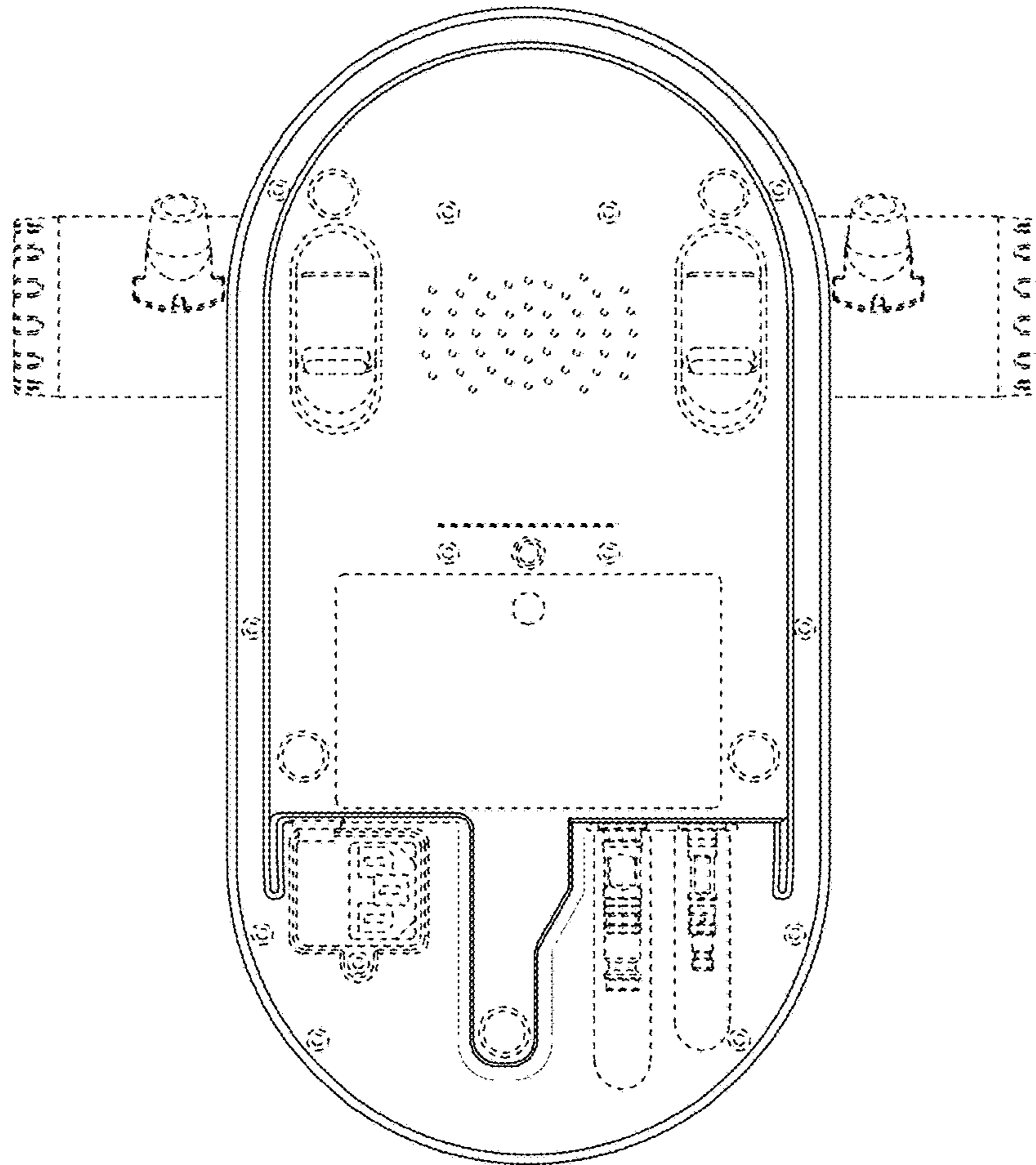


FIG. 8