



US00D840534S

(12) **United States Design Patent** (10) **Patent No.:** **US D840,534 S**  
**Mozzicato et al.** (45) **Date of Patent:** **\*\* Feb. 12, 2019**

(54) **DENTAL AMALGAM SEPARATION CONTAINER**

(71) Applicants: **Nicholas Mozzicato**, Northborough, MA (US); **Richard Goulston**, Northborough, MA (US)

(72) Inventors: **Nicholas Mozzicato**, Northborough, MA (US); **Richard Goulston**, Northborough, MA (US)

(73) Assignee: **Solmetex LLC**, Northborough, MA (US)

(\*\*) Term: **15 Years**

(21) Appl. No.: **29/585,674**

(22) Filed: **Nov. 28, 2016**

**Related U.S. Application Data**

(63) Continuation-in-part of application No. 29/577,701, filed on Sep. 14, 2016, which is a continuation-in-part of application No. 29/567,544, filed on Jun. 9, 2016, which is a continuation-in-part of application No. 29/565,622, filed on May 23, 2016.

(51) **LOC (11) Cl.** ..... **24-04**

(52) **U.S. Cl.**  
USPC ..... **D24/121**; D24/176; D24/221; D24/224; D9/447; D9/503

(58) **Field of Classification Search**  
USPC ..... D9/414, 415, 424, 425, 434, 435, 436, D9/443, 444-452, 454-456, 499, 529, D9/682, 685, 686, 524, 905; D7/387, D7/391, 392, 392.1, 396.1, 396.2, 396.3, D7/396.4, 397, 398, 401.1, 507, 509-511,

(Continued)

(56) **References Cited**

U.S. PATENT DOCUMENTS

D24,111 S \* 3/1895 Landgraf ..... D7/300.1  
D189,743 S \* 2/1961 Happe ..... D32/23

(Continued)

*Primary Examiner* — Michael A. Pratt  
*Assistant Examiner* — Wendy L Arminio

(57) **CLAIM**

The ornamental design for a dental amalgam separation container, as shown and described.

**DESCRIPTION**

FIG. 1 is a front perspective view of a first embodiment of a dental amalgam separation container in accordance with the present invention;

FIG. 2 is a left side view thereof;

FIG. 3 is a right side view thereof;

FIG. 4 is a front view thereof;

FIG. 5 is a rear view thereof;

FIG. 6 is a top view thereof; and

FIG. 7 is a front perspective view of a second embodiment of a dental amalgam separation container in accordance with the present invention;

FIG. 8 is a left side view thereof;

FIG. 9 is a right side view thereof;

FIG. 10 is a front view thereof;

FIG. 11 is a rear view thereof;

FIG. 12 is a top view thereof; and

FIG. 13 is a front perspective view of a third embodiment of a dental amalgam separation container in accordance with the present invention;

FIG. 14 is a left side view thereof;

FIG. 15 is a right side view thereof;

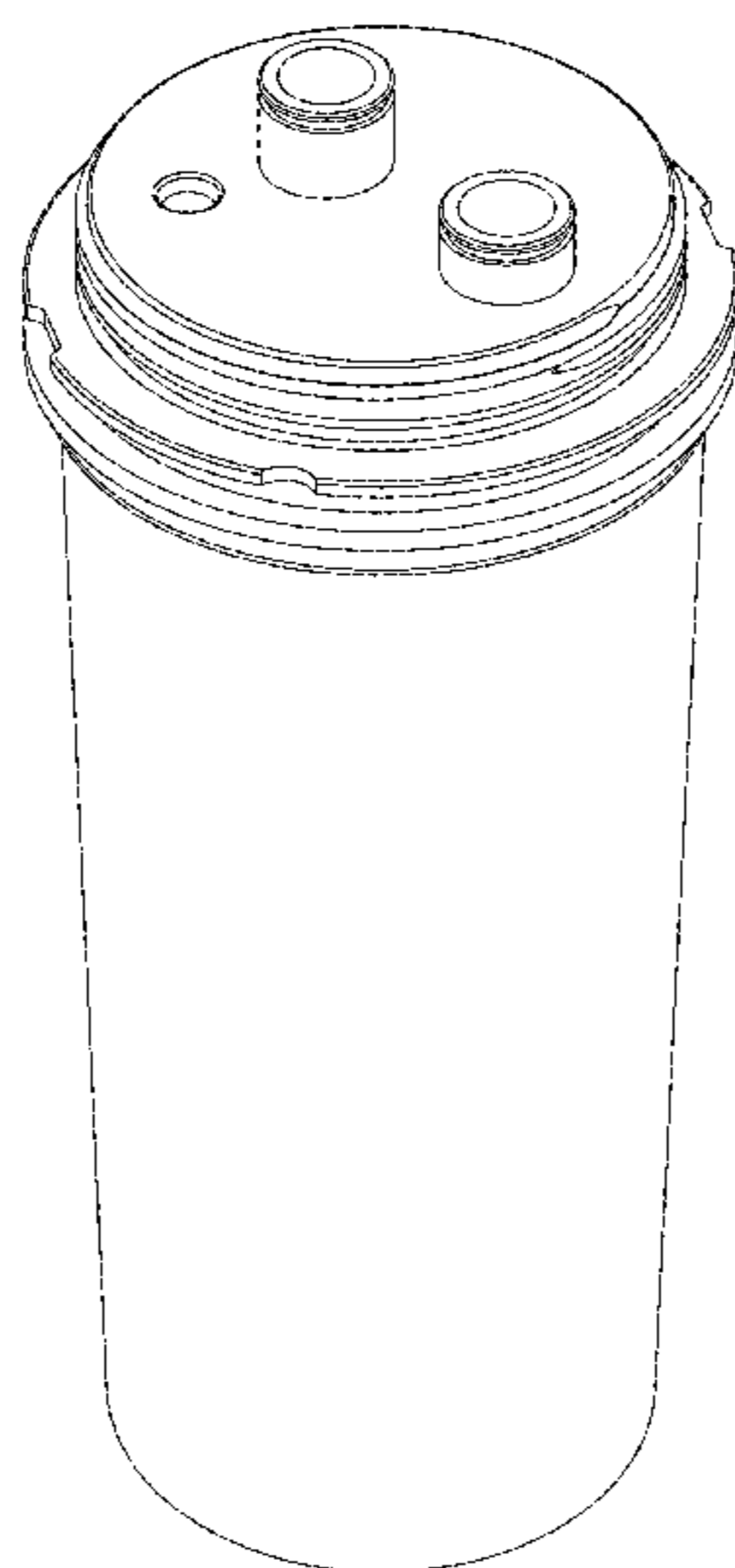
FIG. 16 is a front view thereof;

FIG. 17 is a rear view thereof; and,

FIG. 18 is a top view thereof.

The features shown in broken lines depict portions of the dental amalgam separation container that form no part of the claimed design.

**1 Claim, 18 Drawing Sheets**



(58) **Field of Classification Search**

USPC ..... D7/538, 900, 513; D3/202, 203.2;  
 D28/91, 91.1; D24/121, 221, 224  
 CPC .. A61J 1/00; A61J 1/1412; B65D 1/00; B65D  
 1/02; B65D 1/10; B65D 1/46; B65D  
 2585/56; B65D 2585/545; B65D 41/00;  
 B65D 41/38; B65D 41/56; B65D 41/62;  
 B65D 47/00; B65D 47/06; B65D 47/08;  
 B65D 2543/00046; B65D 2543/00092;  
 B65D 2543/00296; B65D 5/46; B65D  
 2251/00

See application file for complete search history.

(56) **References Cited**

U.S. PATENT DOCUMENTS

D286,268 S \* 10/1986 Wolff ..... D9/434  
 D288,528 S \* 3/1987 Parad ..... D9/435  
 D288,529 S \* 3/1987 Parad ..... D9/435  
 D306,266 S \* 2/1990 Hargrove ..... D24/224  
 D306,649 S \* 3/1990 Lapicola ..... D24/121  
 4,911,315 A \* 3/1990 Shrum ..... B65D 55/16  
 215/229  
 4,934,545 A \* 6/1990 Pezzoli ..... A61J 1/1406  
 215/250  
 4,951,845 A \* 8/1990 Pezzoli ..... A61J 1/1406  
 215/250  
 5,125,522 A \* 6/1992 Pezzoli ..... A61J 1/1475  
 215/250

D341,085 S \* 11/1993 Charbonneau ..... D9/434  
 D349,647 S \* 8/1994 Moffitt ..... D9/435  
 D359,236 S \* 6/1995 Spafford ..... D9/447  
 5,509,551 A \* 4/1996 Terrell, II ..... A47G 19/2266  
 215/229  
 D372,426 S \* 8/1996 Garnett ..... D7/392.1  
 D374,481 S \* 10/1996 McCallister ..... D24/118  
 D384,280 S \* 9/1997 Kuczer ..... D9/436  
 5,730,322 A \* 3/1998 Iba ..... B65D 47/265  
 222/212  
 5,873,494 A \* 2/1999 Dallas, Jr. .... B65D 47/2006  
 222/129  
 D423,354 S \* 4/2000 Lin ..... D32/31  
 D428,768 S \* 8/2000 Betras ..... D7/510  
 D431,158 S \* 9/2000 Schwab ..... D7/510  
 D433,275 S \* 11/2000 Betras ..... D7/392.1  
 D435,194 S \* 12/2000 Betras ..... D7/510  
 D503,097 S \* 3/2005 Burr ..... D9/434  
 D503,110 S \* 3/2005 Burr ..... D9/434  
 D522,359 S \* 6/2006 Van Diepen ..... D9/447  
 D536,247 S \* 2/2007 Burr ..... D9/434  
 D574,237 S \* 8/2008 Yates, III ..... D9/447  
 D630,094 S \* 1/2011 Maxwell ..... D9/447  
 D705,059 S \* 5/2014 Hutchison ..... D9/447  
 D706,135 S \* 6/2014 Hutchison ..... D9/447  
 D727,149 S \* 4/2015 Humm ..... D9/449  
 D750,962 S \* 3/2016 Liu ..... D6/542  
 2002/0185186 A1 \* 12/2002 Juliar ..... A61M 39/10  
 138/96 R  
 2015/0320638 A1 \* 11/2015 Becker ..... A61J 1/1475  
 215/306

\* cited by examiner

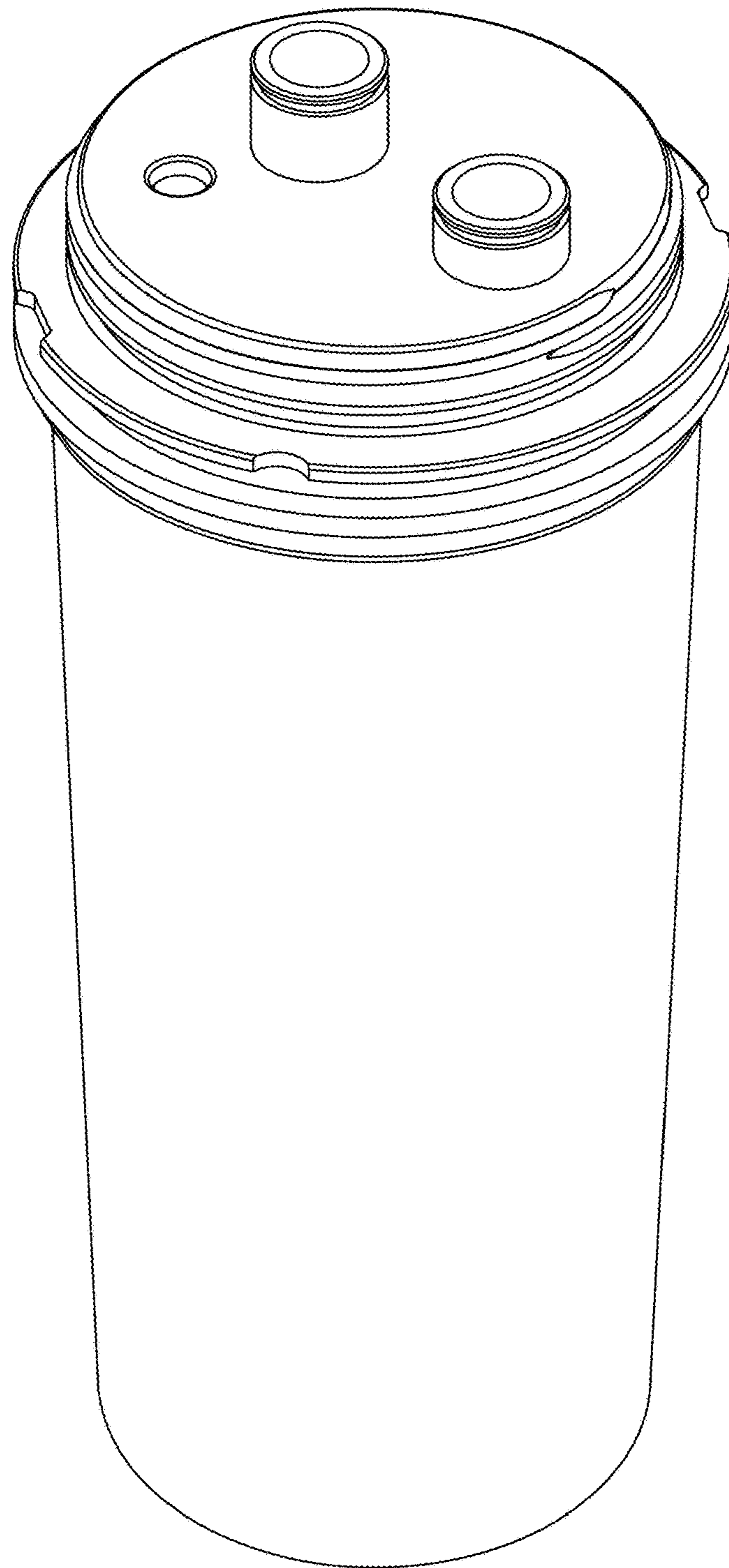


FIG. 1

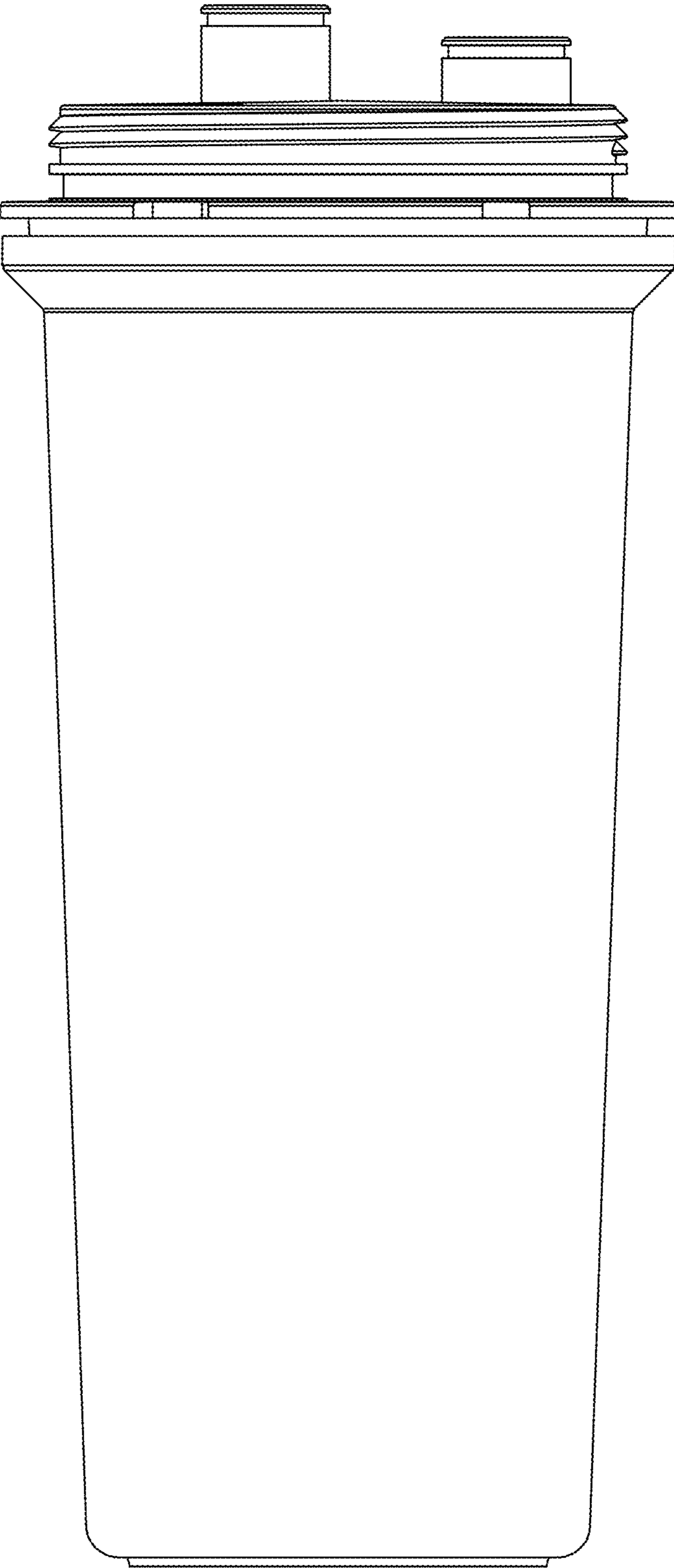


FIG. 2

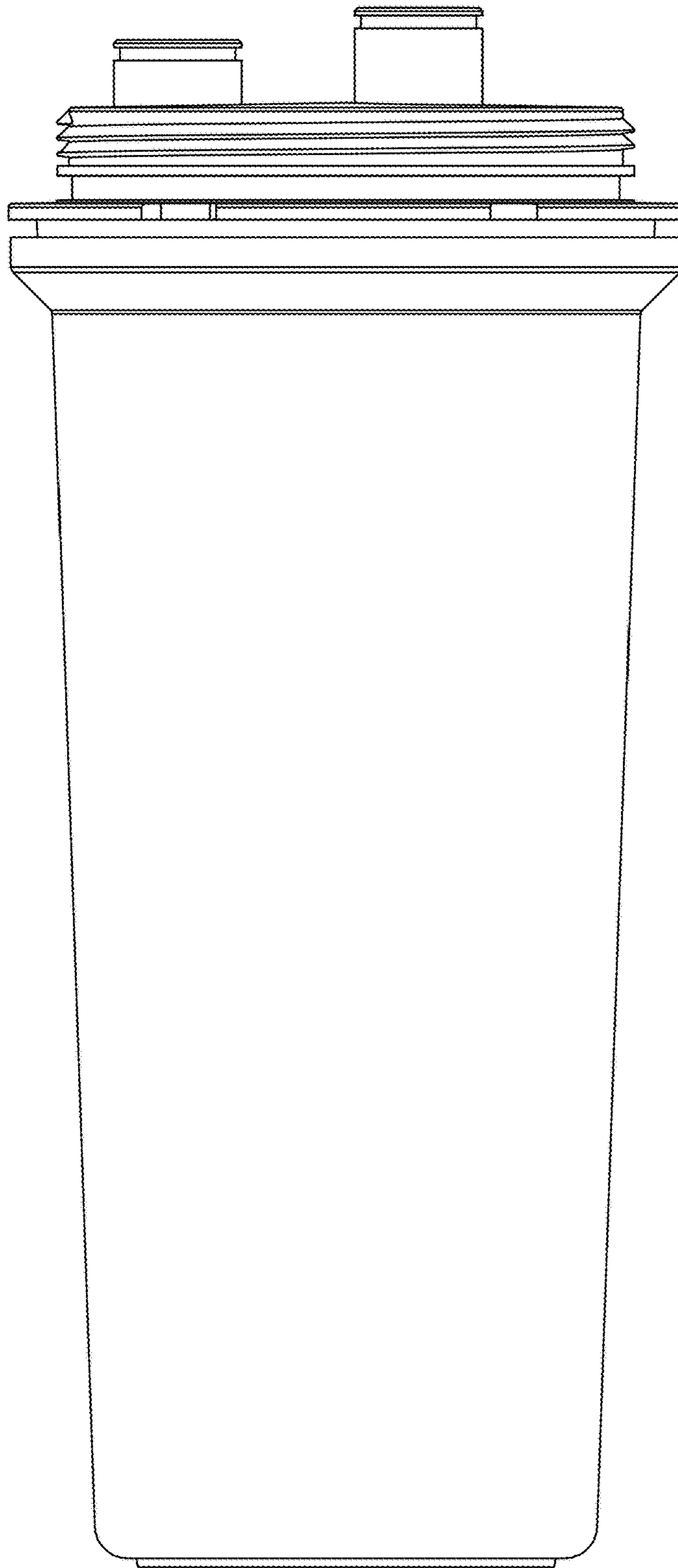


FIG. 3

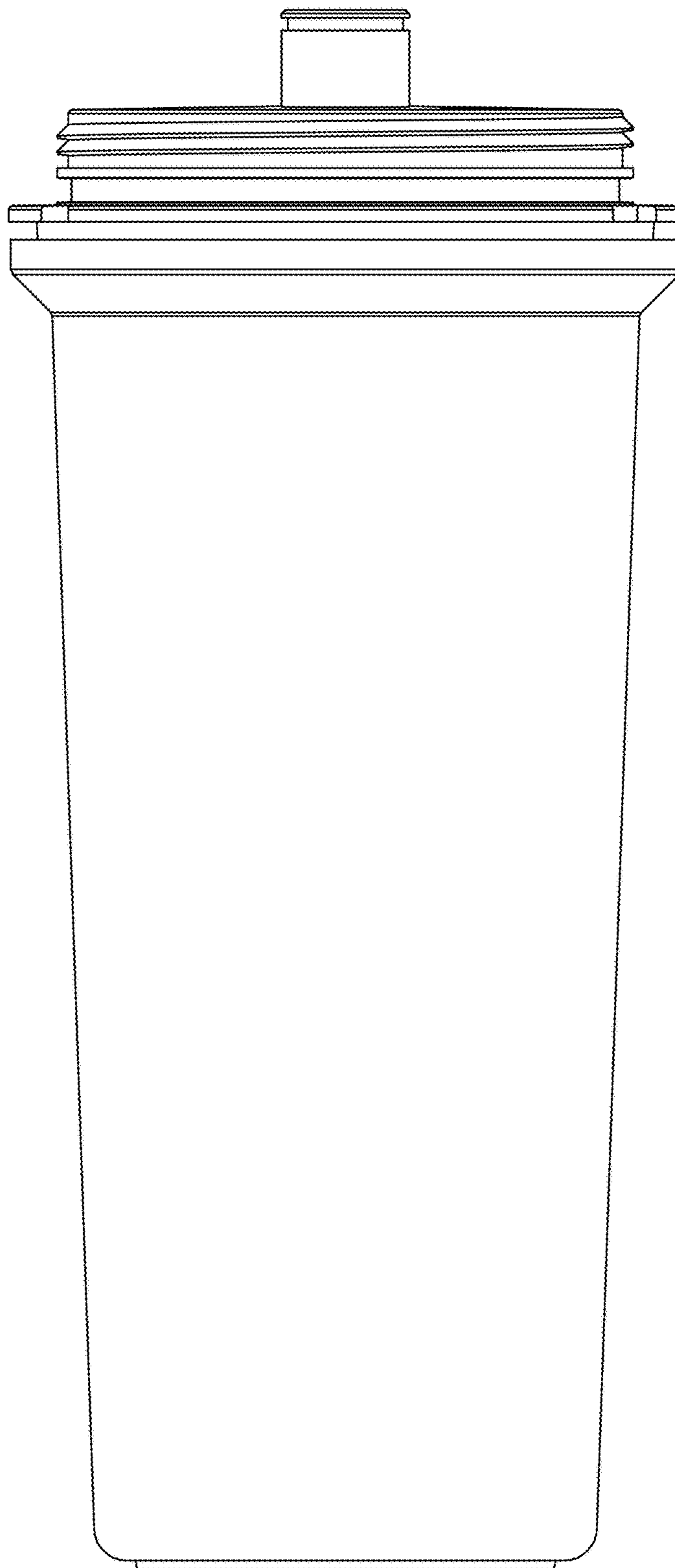


FIG. 4

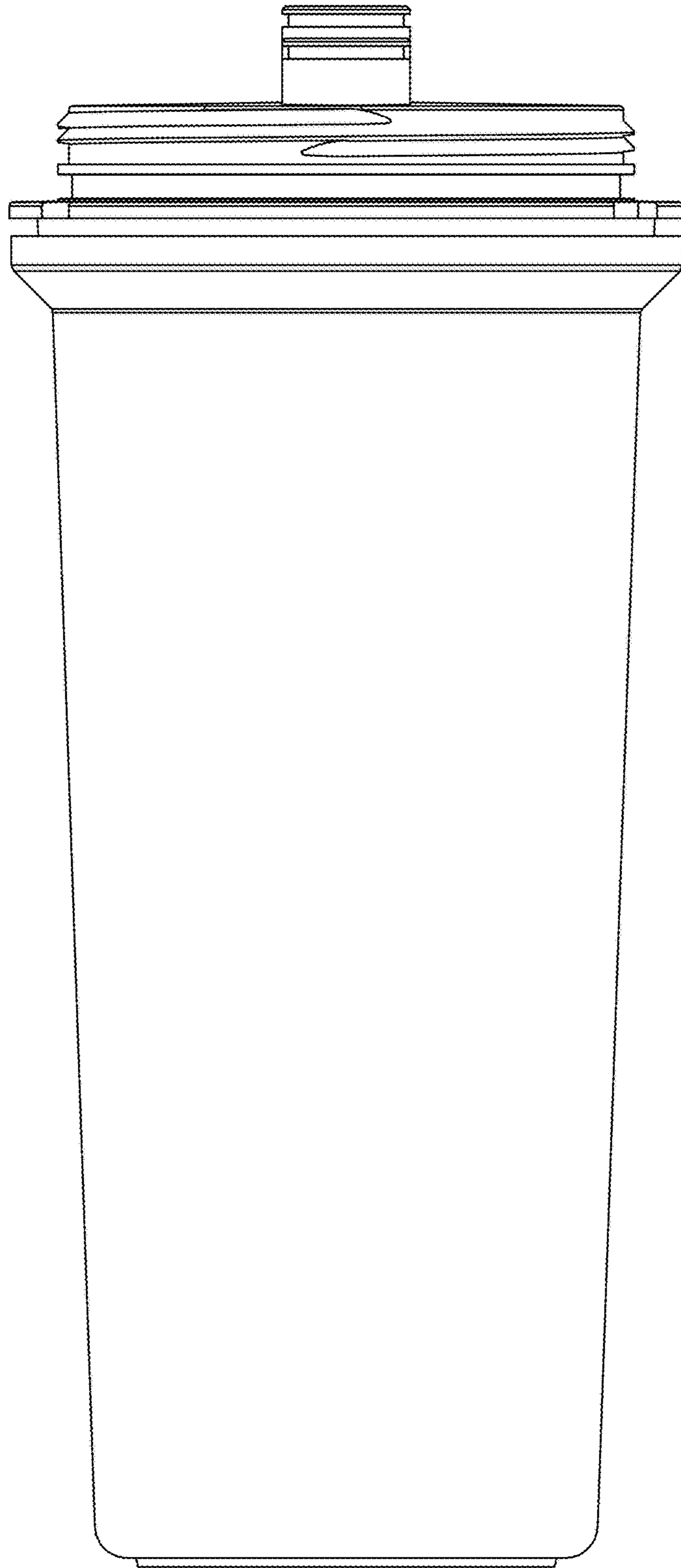
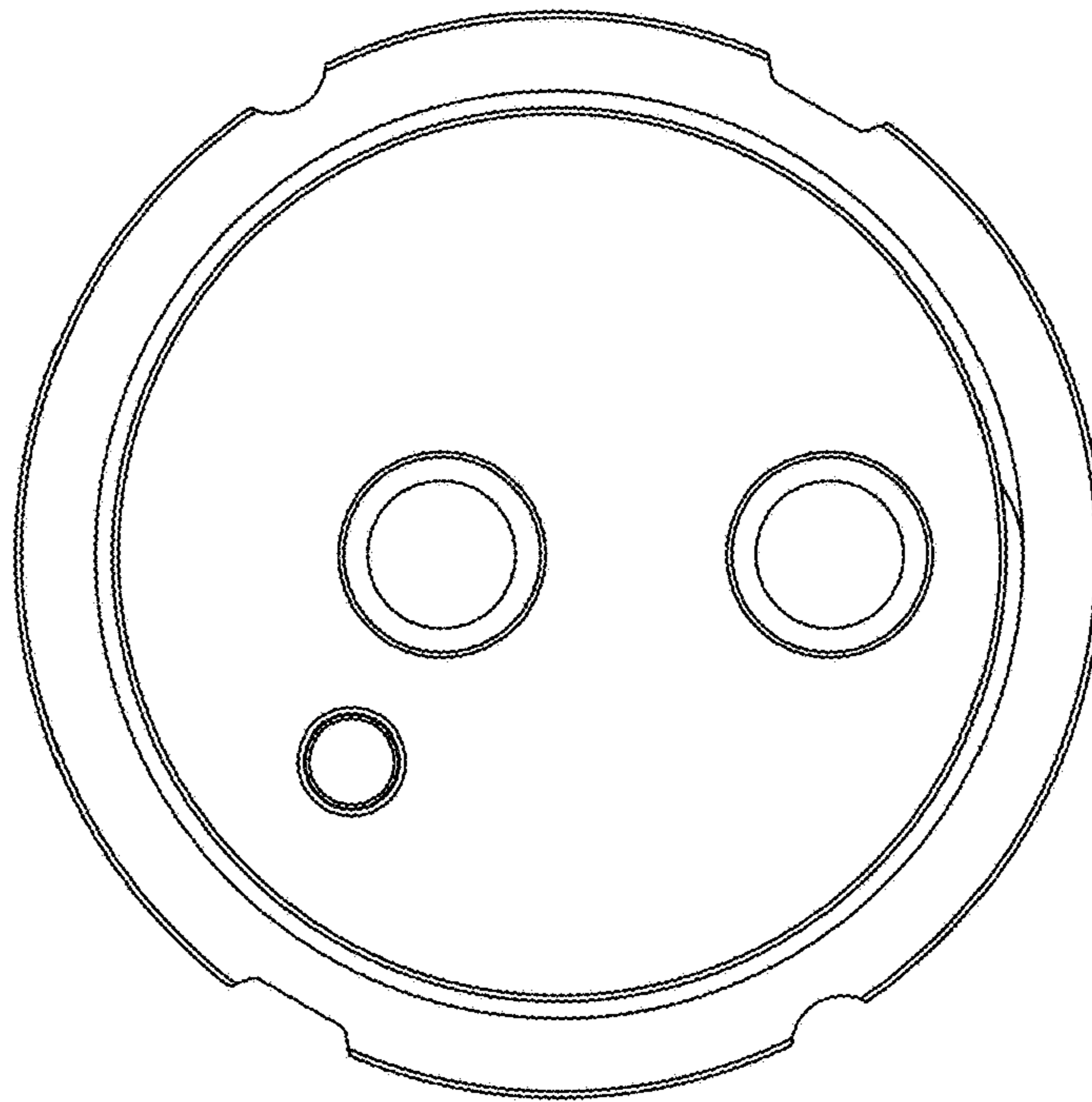


FIG. 5



*FIG. 6*



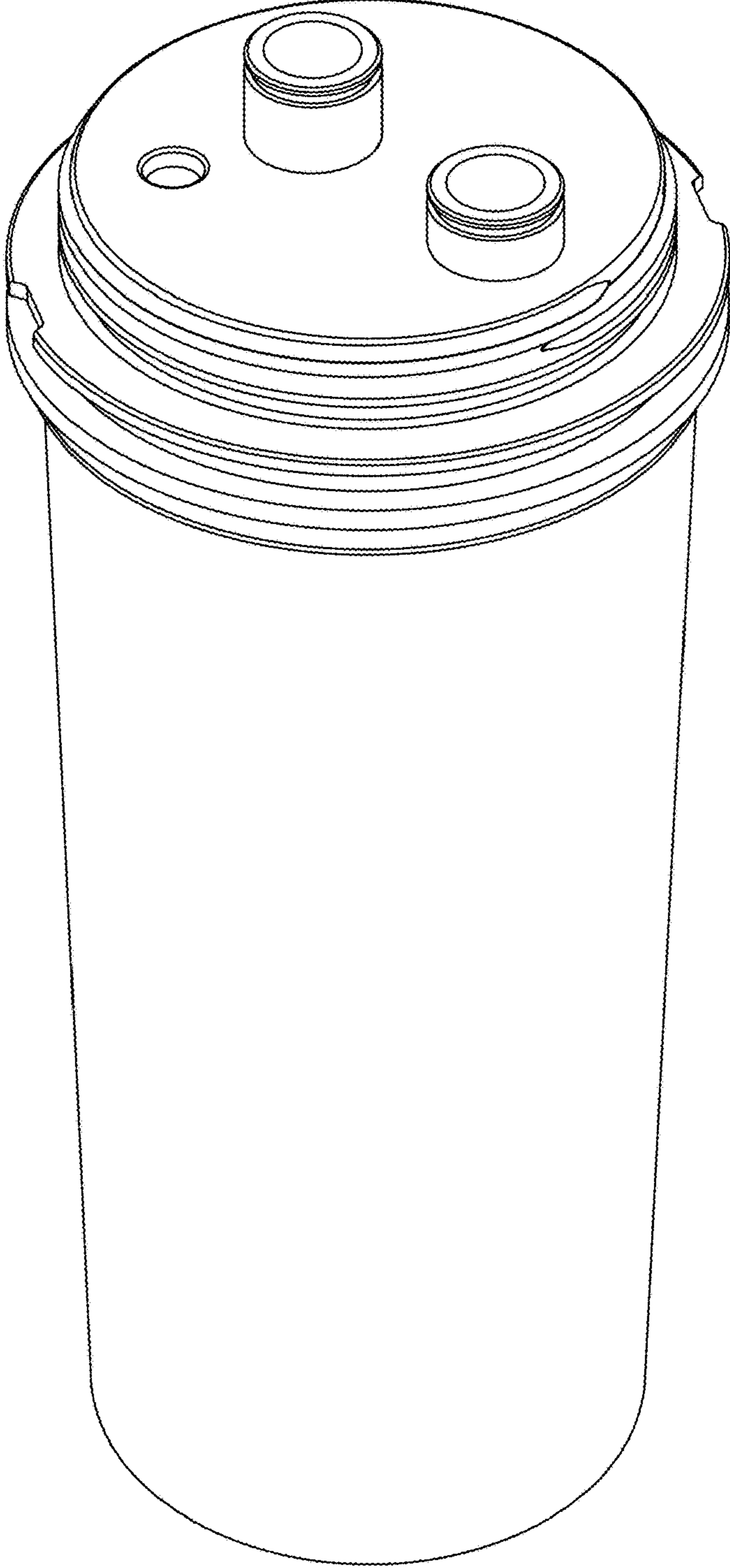


FIG. 7

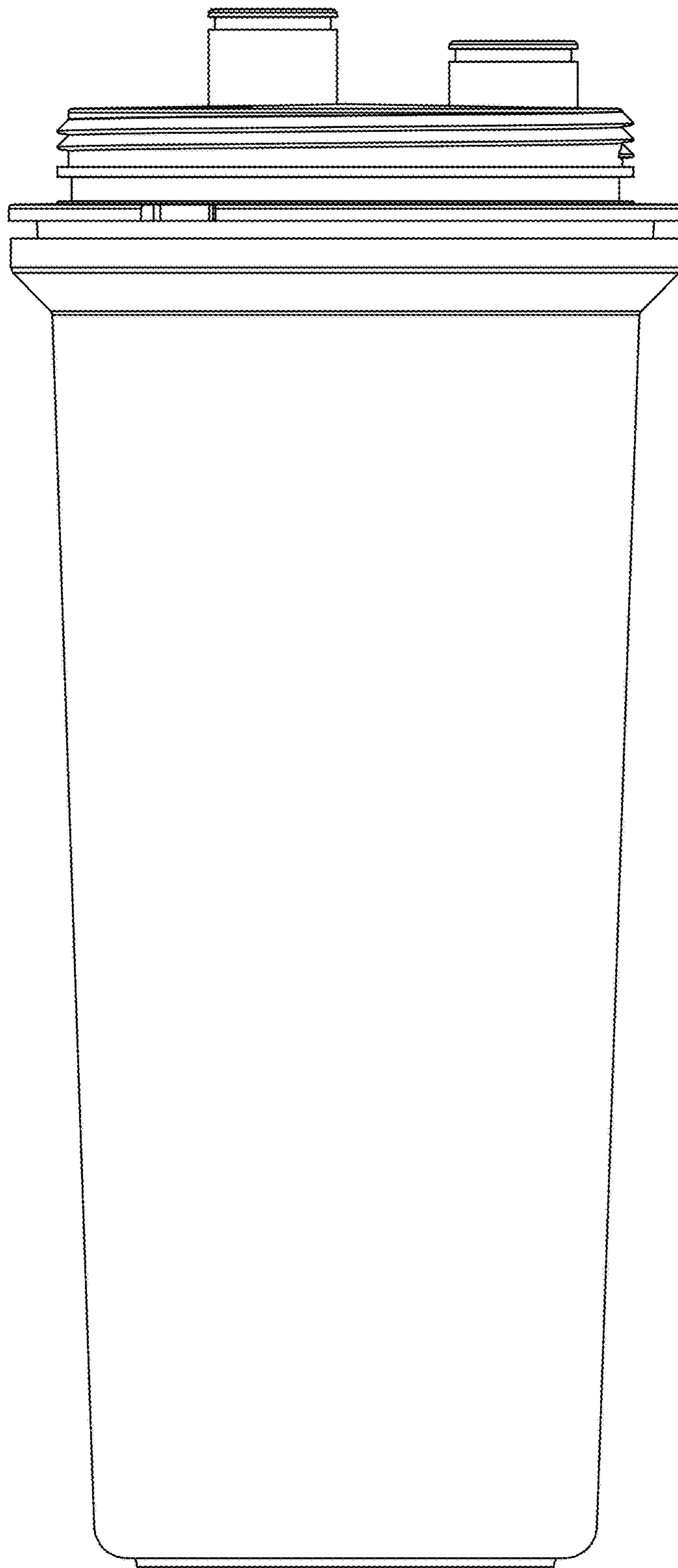


FIG. 8

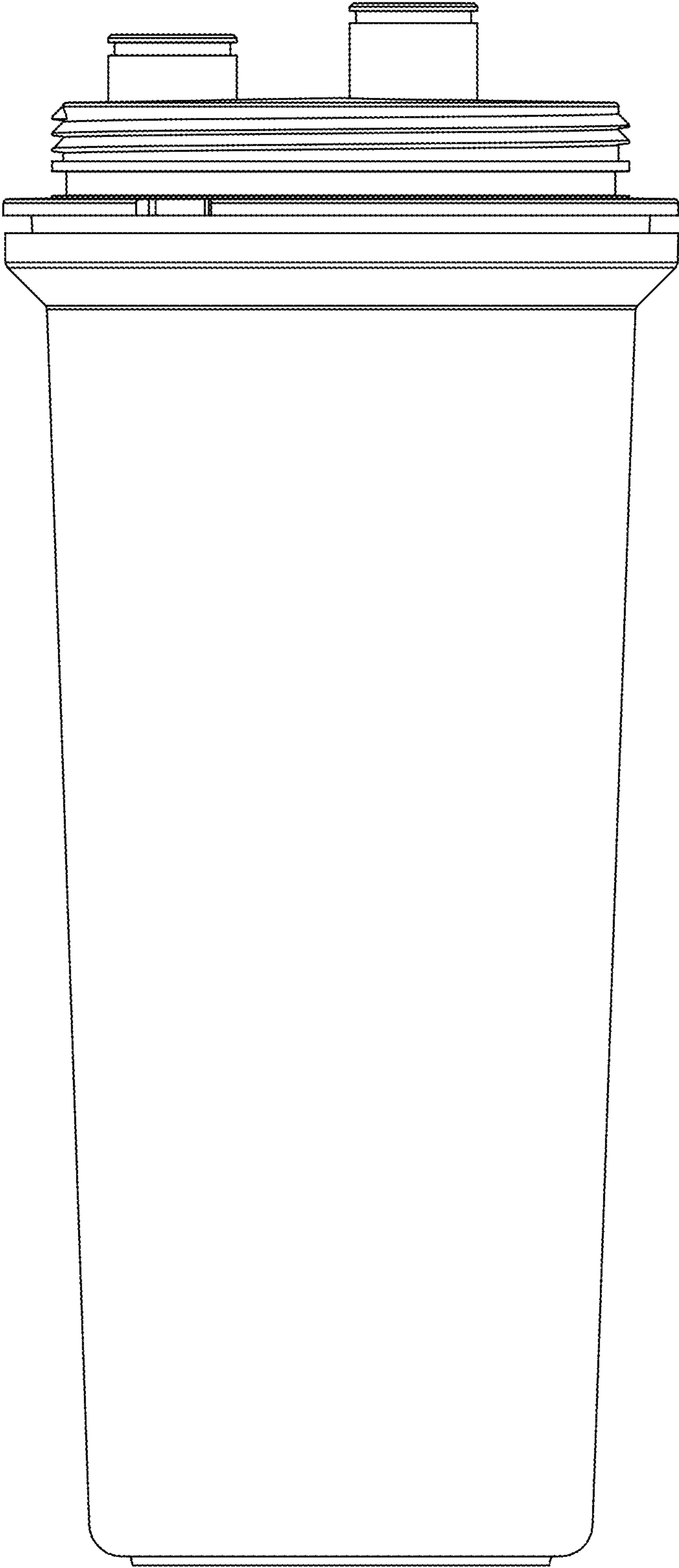
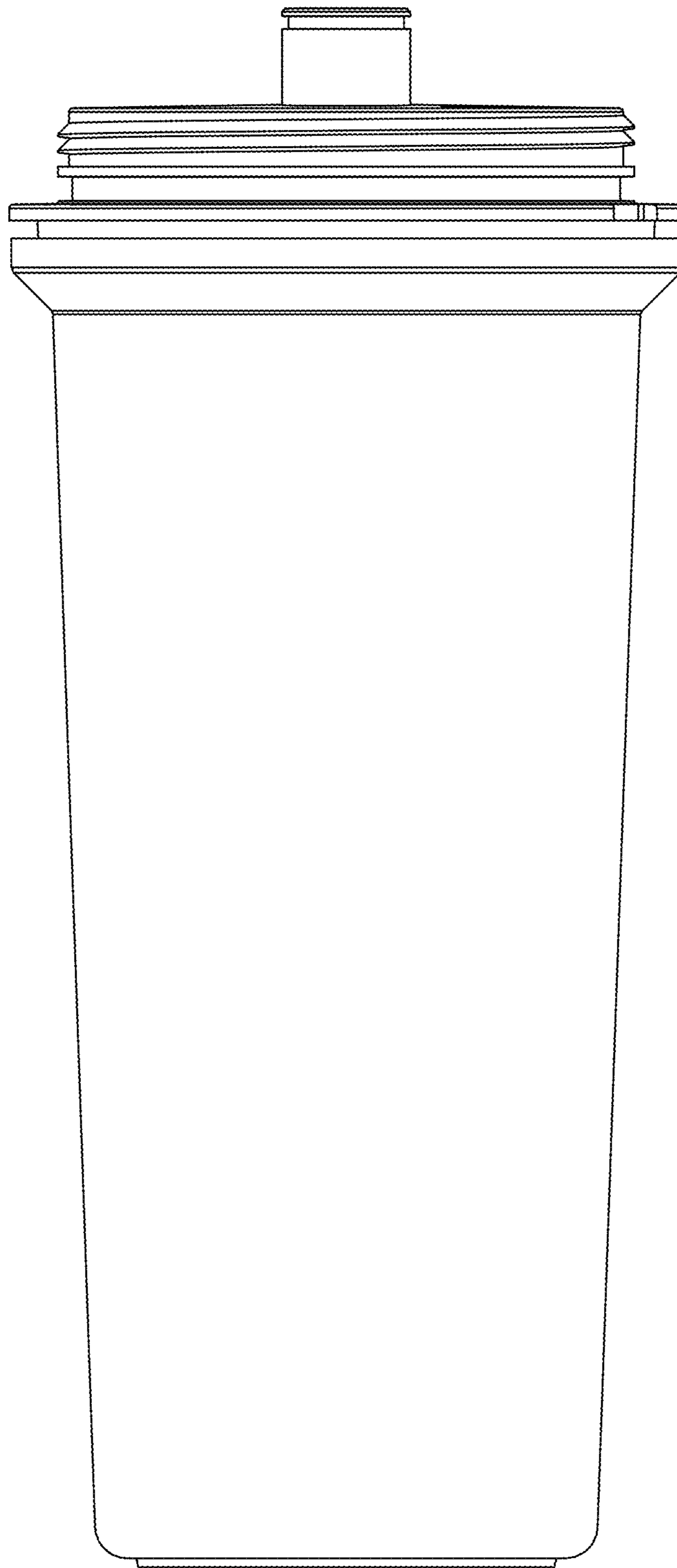
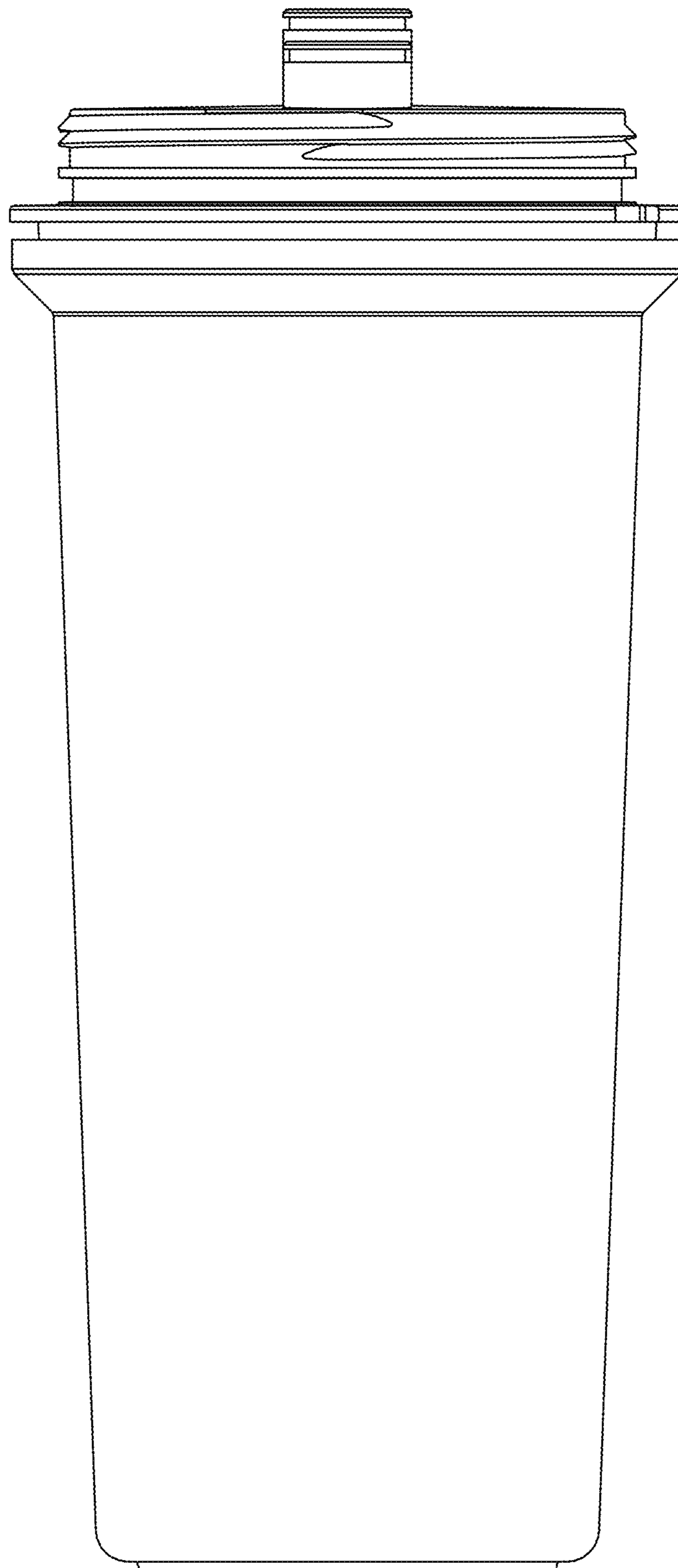


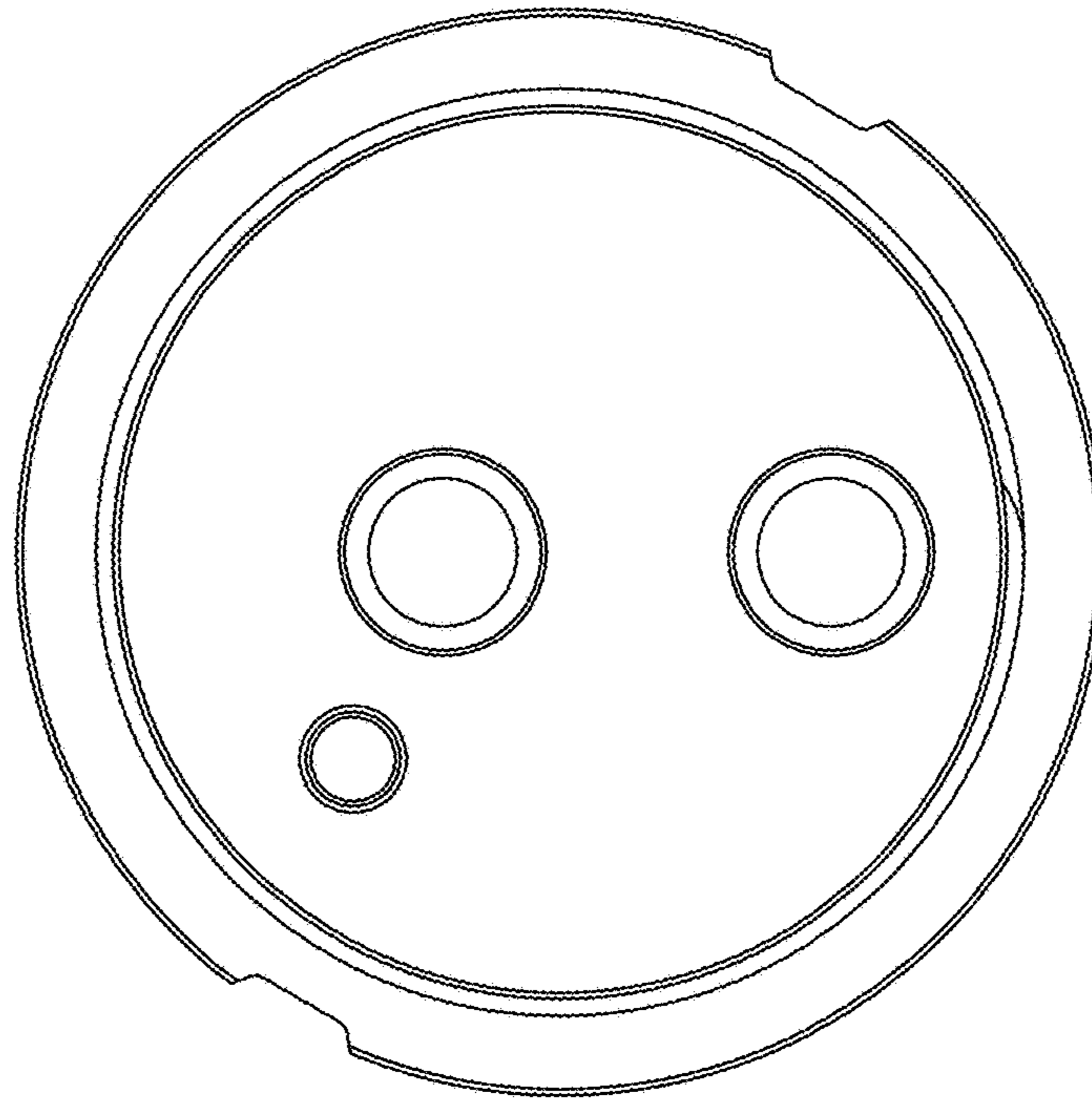
FIG. 9



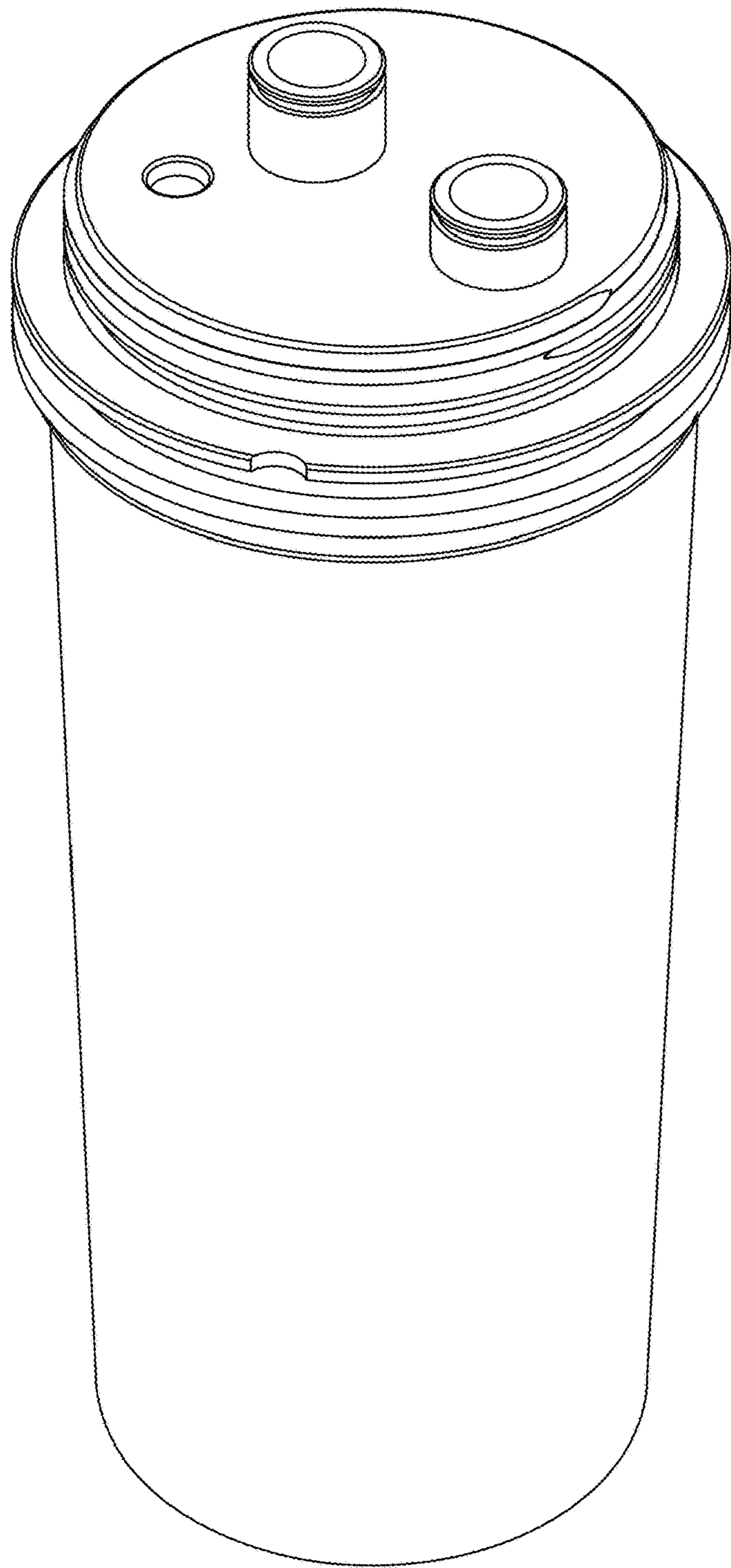
*FIG. 10*



*FIG. 11*



*FIG. 12*



*FIG. 13*

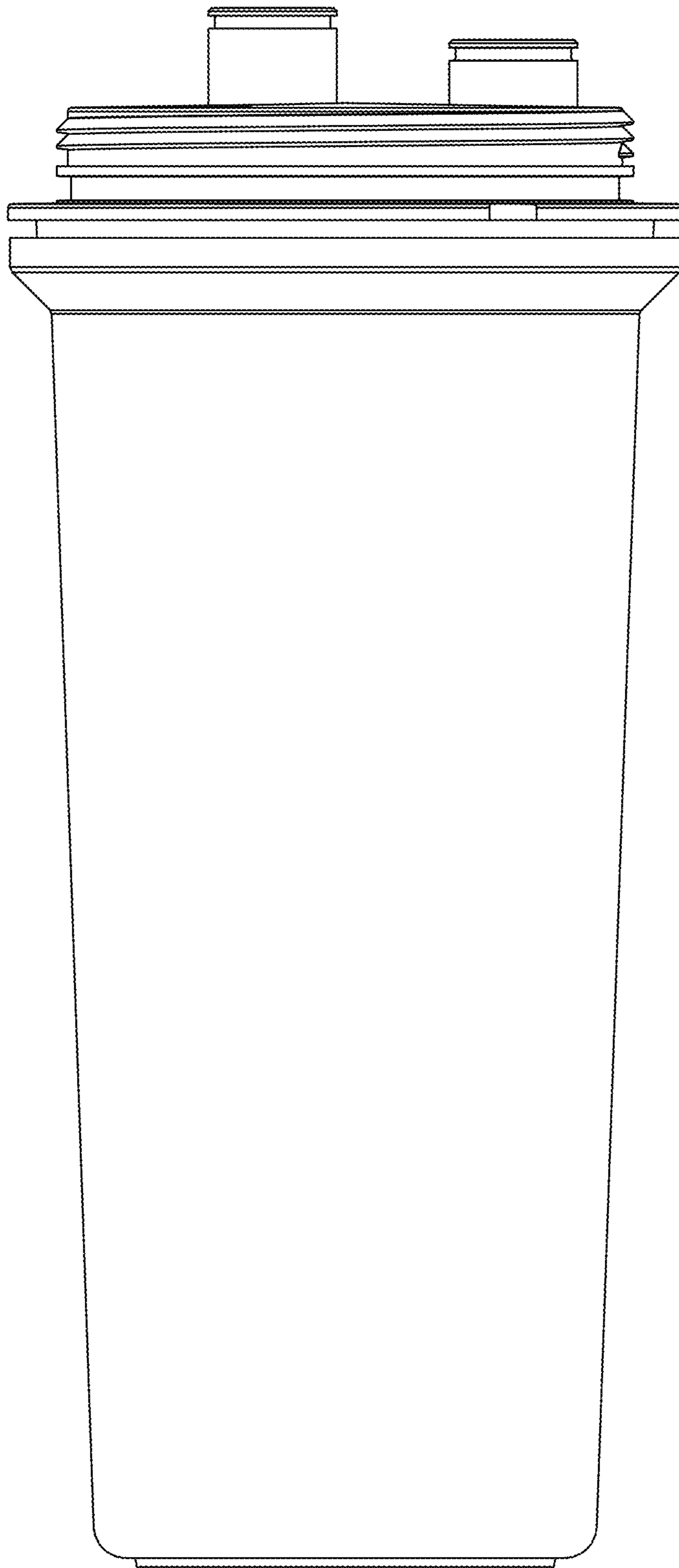


FIG. 14



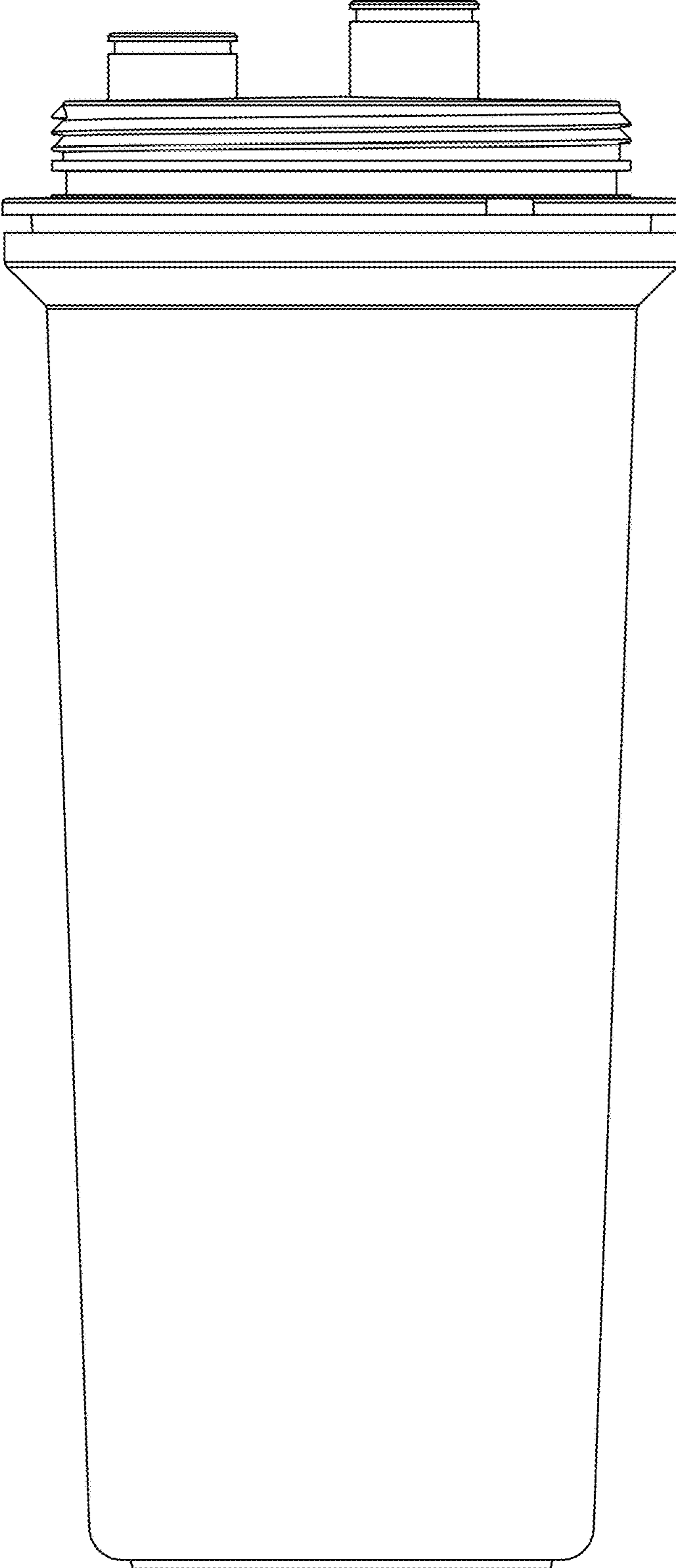


FIG. 15

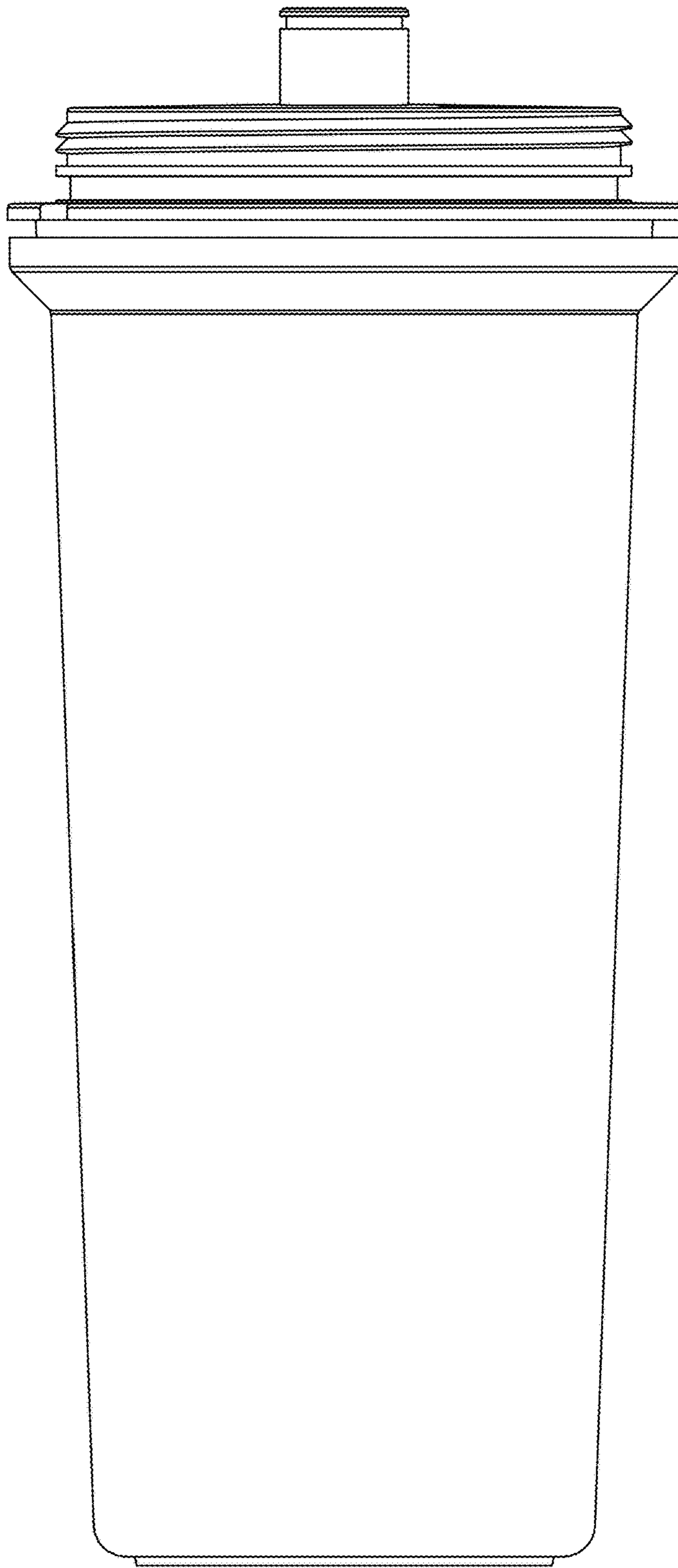


FIG. 16

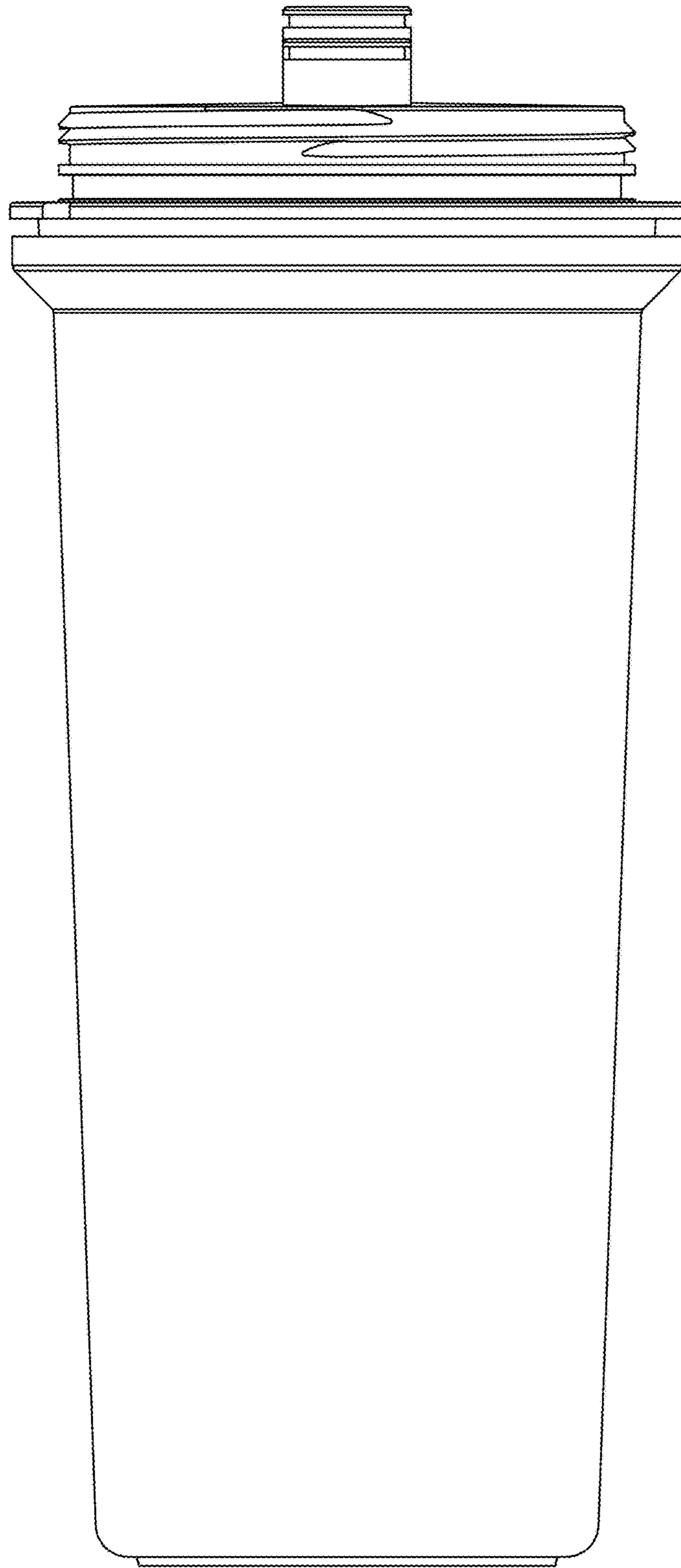
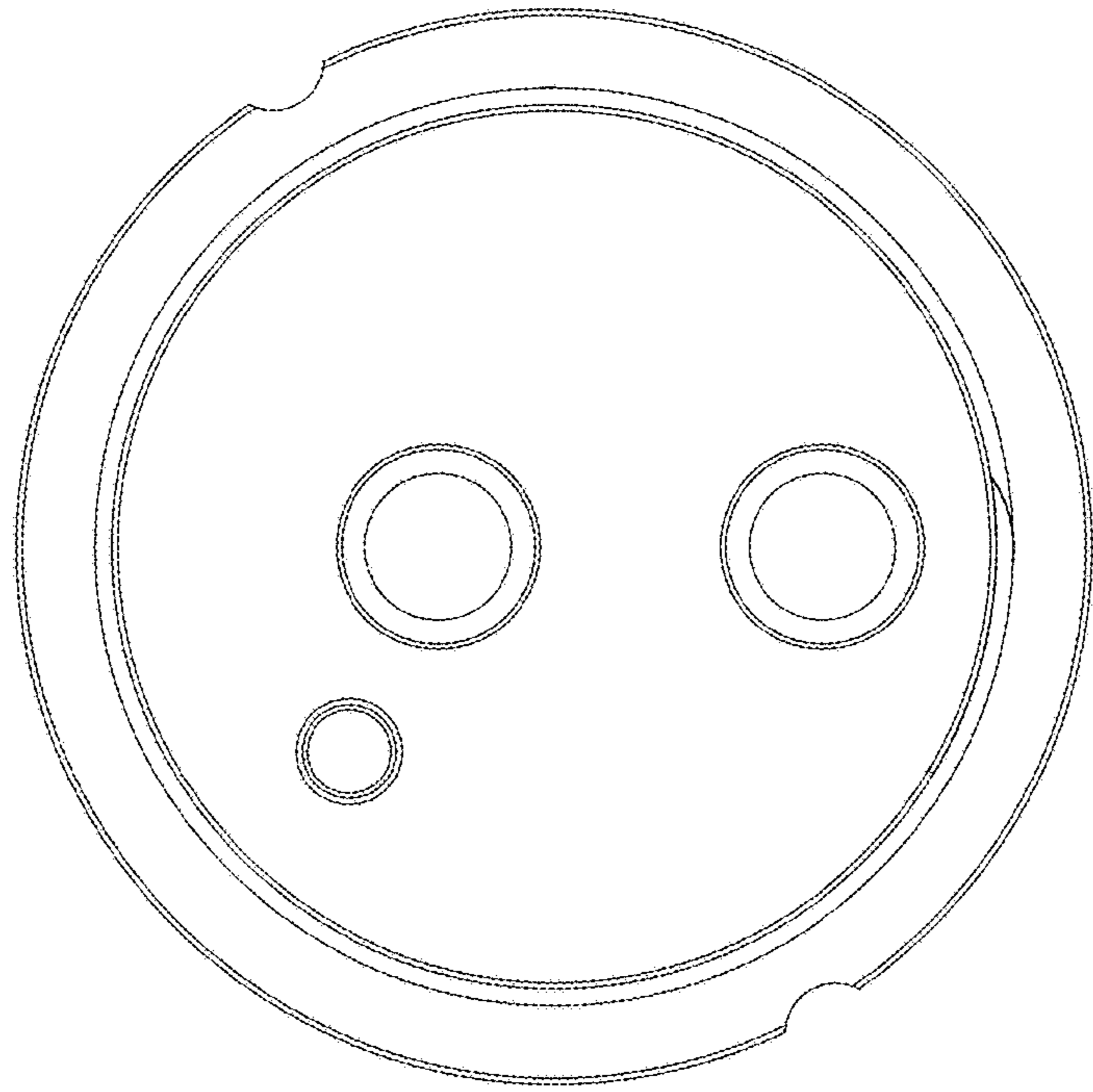


FIG. 17



*FIG. 18*