



US00D840532S

(12) **United States Design Patent** (10) **Patent No.:** **US D840,532 S**  
**Glocker et al.** (45) **Date of Patent:** **\*\* Feb. 12, 2019**

(54) **INJECTION DEVICE**

(71) Applicant: **Vetter Pharma-Fertigung GmbH & Co. KG**, Ravensburg (DE)

(72) Inventors: **Joachim Glocker**, Ravensburg (DE); **Roland Limbeck**, Biberach (DE); **Tilman Roedle**, Wolfegg (DE); **Sarah Kuehnle**, Friedrichshafen (DE); **Yossef Schvets**, Sesto San Giovanni (IT); **Daniele Pesaresi**, Reggio Emilia (IT)

(73) Assignee: **Vetter Pharma-Fertigung GmbH & Co. KG**, Ravensburg (DE)

(\*\*) Term: **15 Years**

(21) Appl. No.: **29/615,991**

(22) Filed: **Sep. 1, 2017**

(30) **Foreign Application Priority Data**

Mar. 3, 2017 (EM) ..... 003782416-0004

(51) **LOC (11) Cl.** ..... **24-02**

(52) **U.S. Cl.**  
USPC ..... **D24/113**

(58) **Field of Classification Search**  
USPC ..... D24/112-114, 108, 133, 130, 127, 187;  
606/181, 185; 604/264, 272, 187, 181,  
604/184, 227  
CPC ..... A61M 5/178; A61M 3/00; A61M 5/20;  
A61M 5/31; A61M 5/3146; A61M  
5/3129; A61M 5/3148; A61M 5/315  
See application file for complete search history.

(56) **References Cited**

**U.S. PATENT DOCUMENTS**

D455,209 S \* 4/2002 Himbert ..... D24/112  
7,998,087 B2 \* 8/2011 Amano ..... A61B 5/14532  
204/403.01

D650,070 S \* 12/2011 Mori ..... D24/113  
8,419,764 B2 \* 4/2013 Begg ..... A61B 17/3494  
606/185  
D732,410 S \* 6/2015 Waaler ..... D10/81  
D737,958 S \* 9/2015 Pieroni ..... D24/112  
D745,662 S \* 12/2015 Chen ..... D24/112  
D745,663 S \* 12/2015 Chen ..... D24/112  
D746,976 S \* 1/2016 Chen ..... D24/112  
D748,782 S \* 2/2016 Zhang ..... D24/133  
9,289,551 B2 \* 3/2016 Hata ..... A61M 5/20  
9,734,361 B2 \* 8/2017 Aoki ..... G06K 5/00  
9,744,310 B2 \* 8/2017 Kondoh ..... A61M 5/20

\* cited by examiner

*Primary Examiner* — David G Muller

(74) *Attorney, Agent, or Firm* — Muncy, Geissler, Olds & Lowe, P.C.

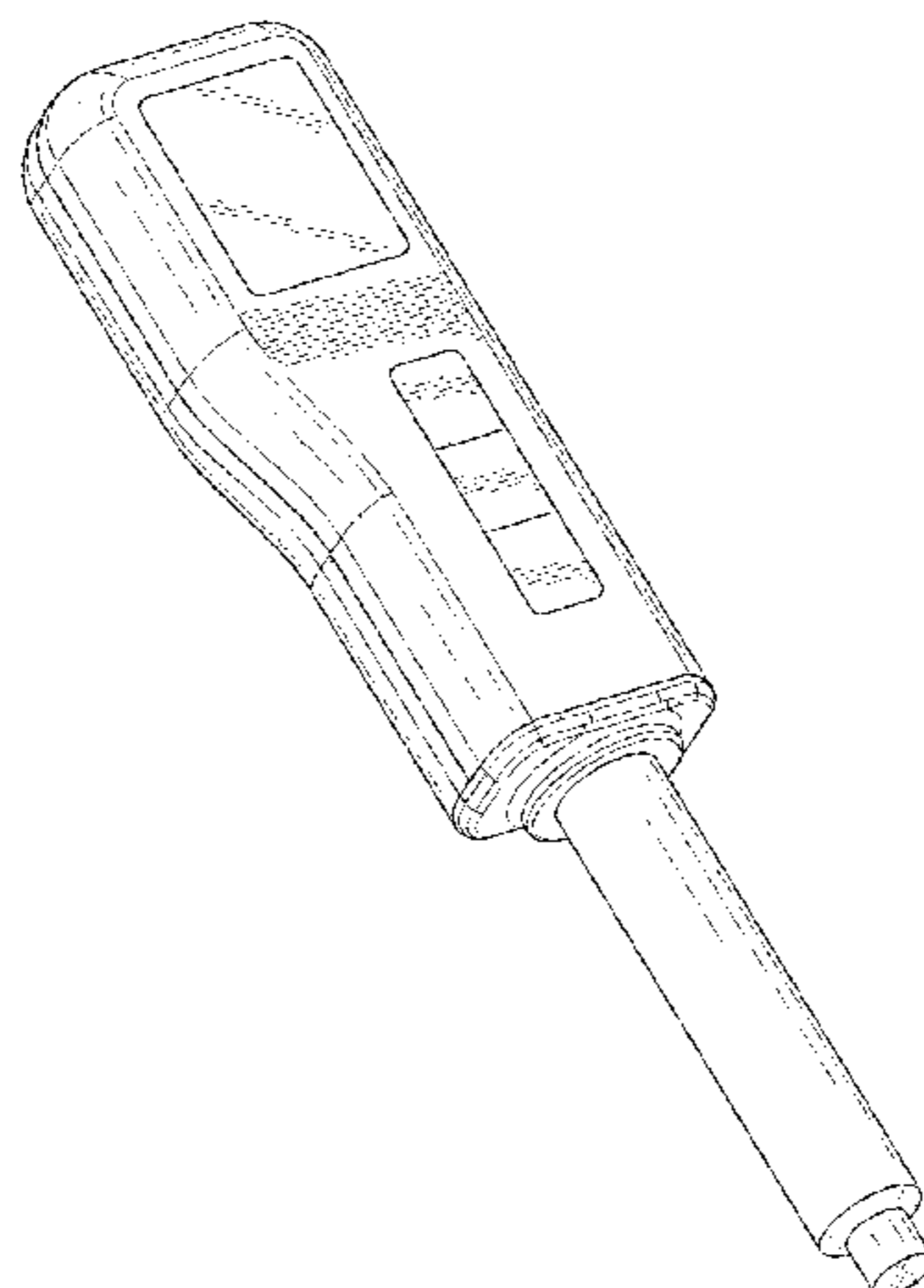
(57) **CLAIM**

The ornamental design for injection device, as shown and described.

**DESCRIPTION**

FIG. 1 is a front perspective view of injection device according to the present invention.  
FIG. 2 is a top view of the injection device of FIG. 1.  
FIG. 3 is a bottom view of the injection device of FIG. 1.  
FIG. 4 is a left side view of the injection device of FIG. 1.  
FIG. 5 is a right side view of the injection device of FIG. 1.  
FIG. 6 is a rear view of the injection device of FIG. 1; and, FIG. 7 is a front view of the injection device of FIG. 1.  
The dashed lines illustrate environment that does not form a part of the present invention, and no claim is made to the material illustrated with dashed lines.

**1 Claim, 6 Drawing Sheets**



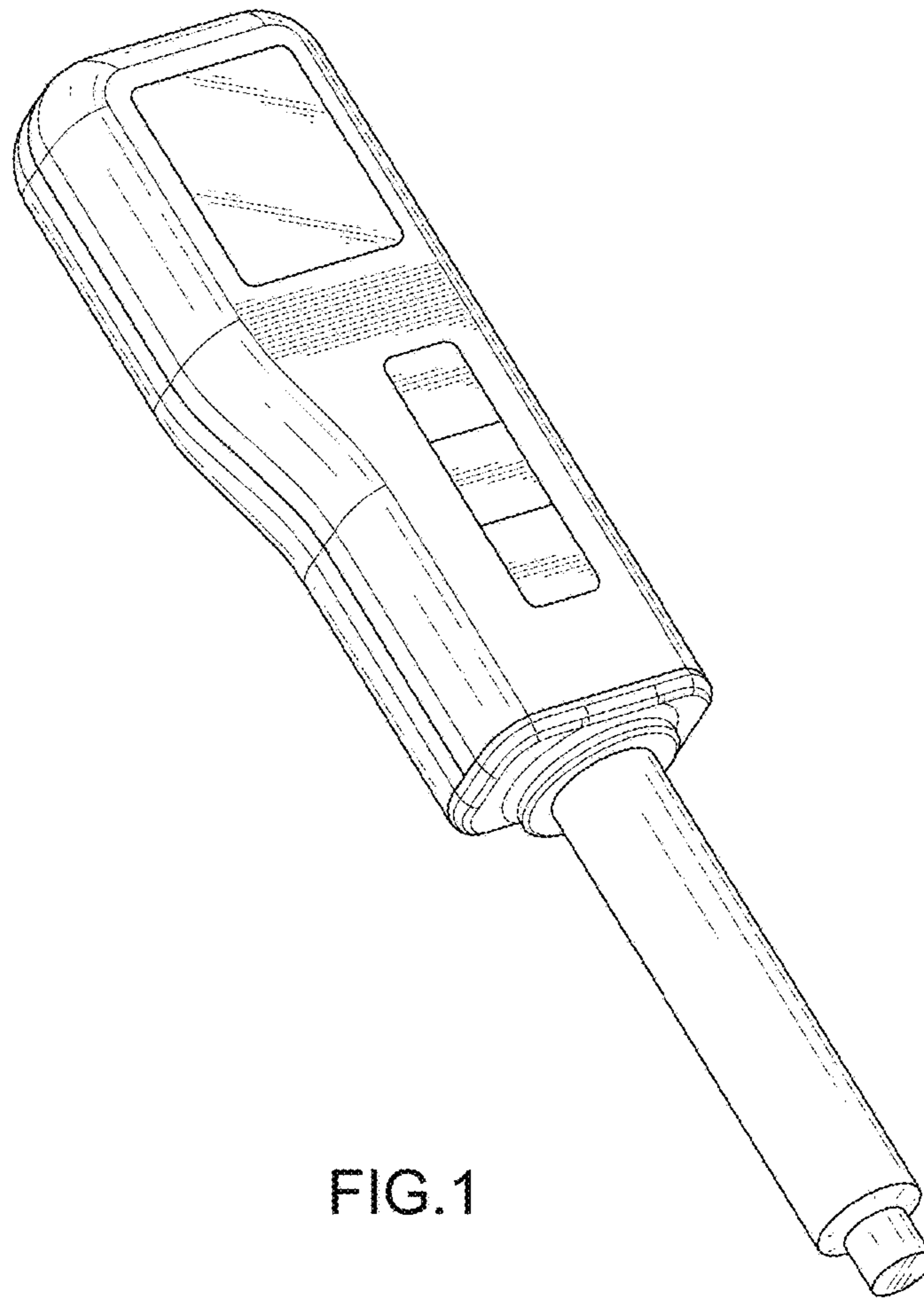


FIG.1

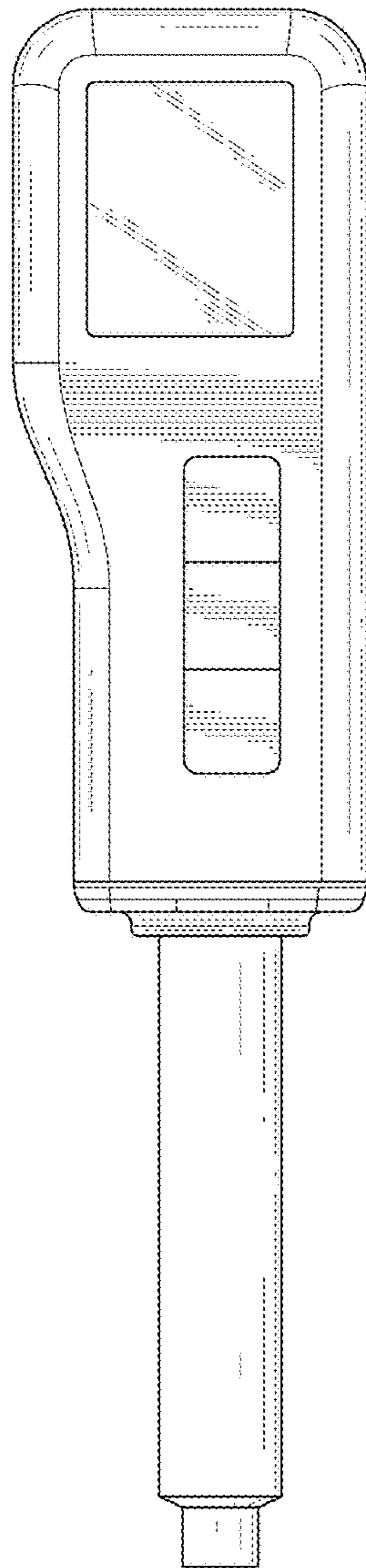


FIG.2

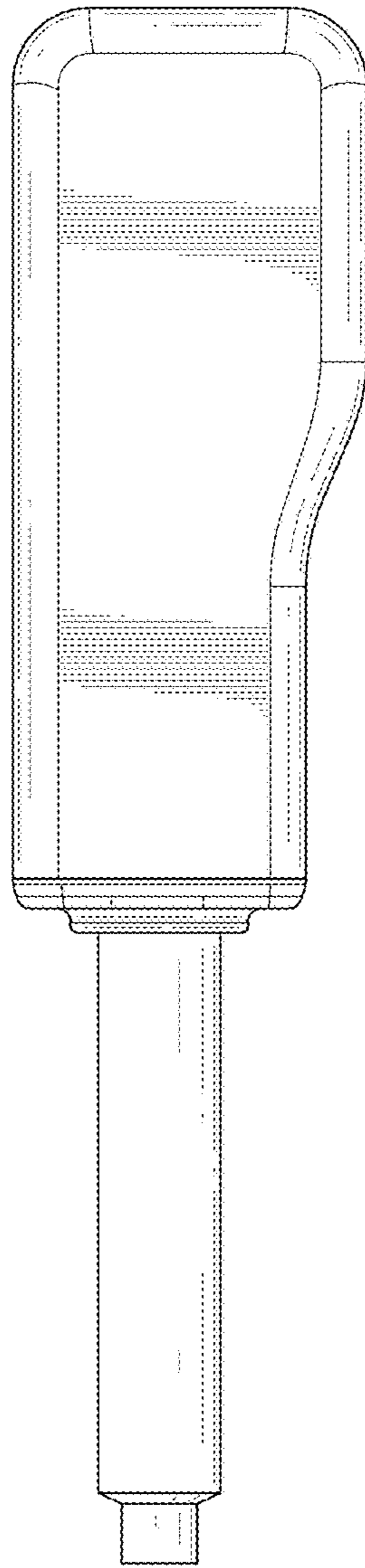


FIG.3

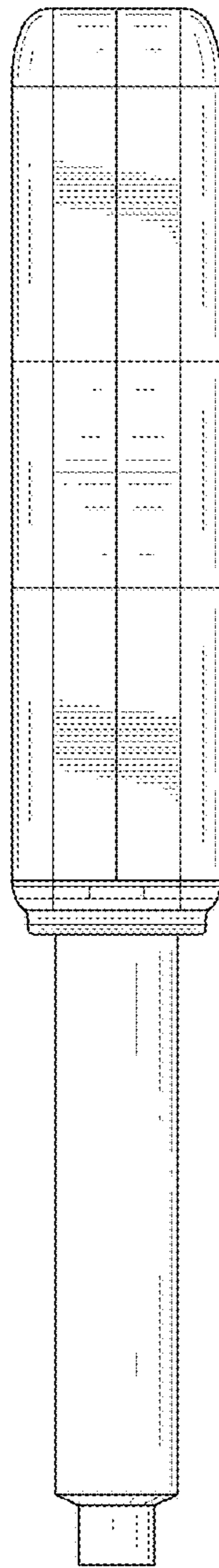


FIG.4

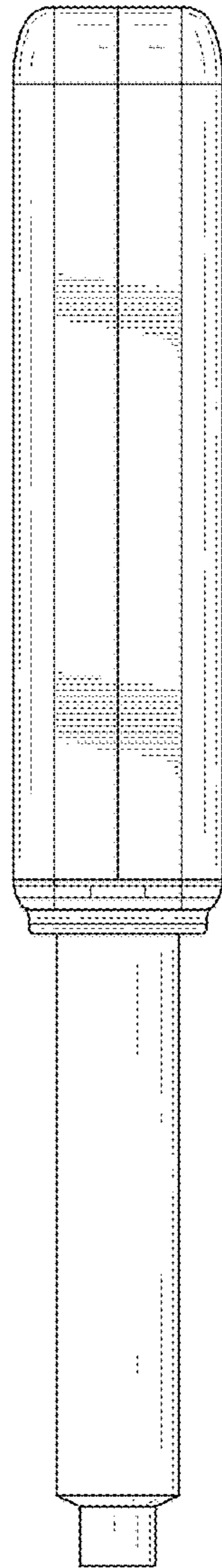


FIG.5

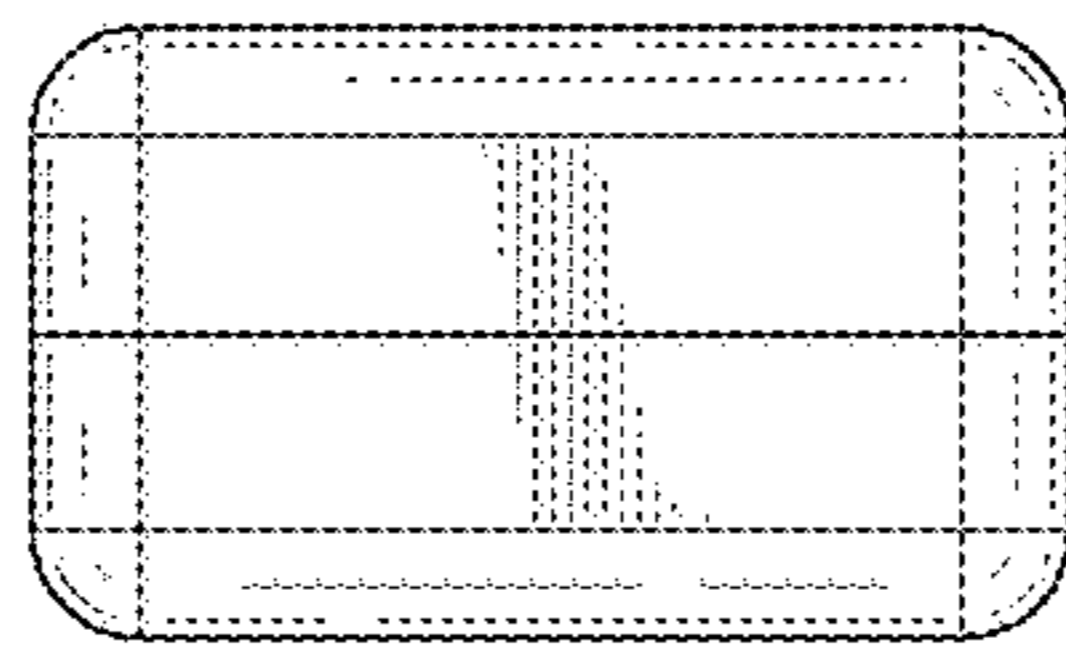


FIG. 6

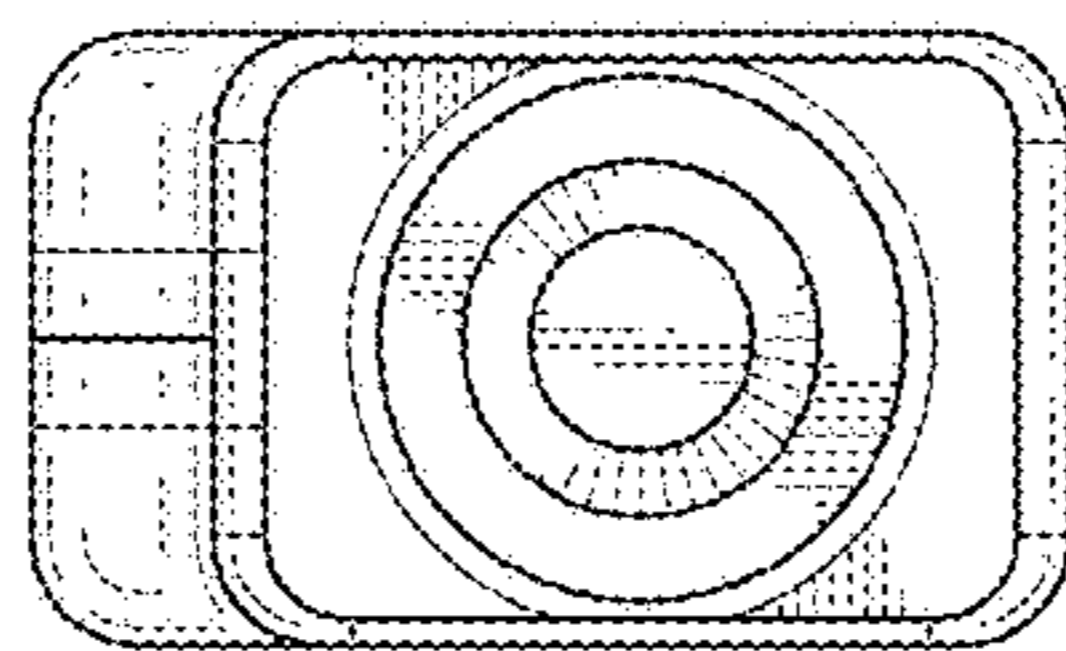


FIG. 7