

US00D840528S

(12) **United States Design Patent**  
**Laumond**

(10) **Patent No.:** **US D840,528 S**

(45) **Date of Patent:** **\*\* Feb. 12, 2019**

(54) **AIR FRESHENER**

(71) Applicant: **PRODUITS BERGER**, Grand  
Bourgtheroulde (FR)

(72) Inventor: **Luc Laumond**, Paris (FR)

(73) Assignee: **PRODUITS BERGER**, Grand  
Bourgtheroulde (FR)

(\*\*) Term: **15 Years**

(21) Appl. No.: **29/613,612**

(22) Filed: **Aug. 11, 2017**

(30) **Foreign Application Priority Data**

Feb. 13, 2017 (EM) ..... 003752245-0001

(51) **LOC (11) Cl.** ..... **28-99**

(52) **U.S. Cl.**  
USPC ..... **D23/366**

(58) **Field of Classification Search**  
USPC ..... D23/314, 325, 333-336, 355-367,  
D23/386-388  
CPC . A61L 9/03; A61L 9/012; A61L 9/015; A61L  
9/037  
See application file for complete search history.

(56) **References Cited**

**U.S. PATENT DOCUMENTS**

D254,145 S \* 2/1980 Wilcock ..... D23/209  
D258,874 S \* 4/1981 Hocq ..... D11/79  
7,241,136 B2 \* 7/2007 Lehoux ..... F23C 13/00  
431/268  
D643,102 S \* 8/2011 Abbondanzio ..... D23/366

D661,387 S \* 6/2012 Kathoefer ..... D23/366  
D706,403 S \* 6/2014 Carter ..... D23/314  
D715,911 S \* 10/2014 Lin ..... A61L 9/03  
D23/366  
D744,172 S \* 11/2015 Donegan ..... D30/127  
9,238,086 B2 \* 1/2016 Sidawi ..... A61L 9/127  
D750,766 S \* 3/2016 Cheika ..... D23/366  
D802,727 S \* 11/2017 Cabrera ..... D23/366

\* cited by examiner

*Primary Examiner* — Brandon M Rosati

*Assistant Examiner* — John A Voytek

(74) *Attorney, Agent, or Firm* — Young & Thompson

(57) **CLAIM**

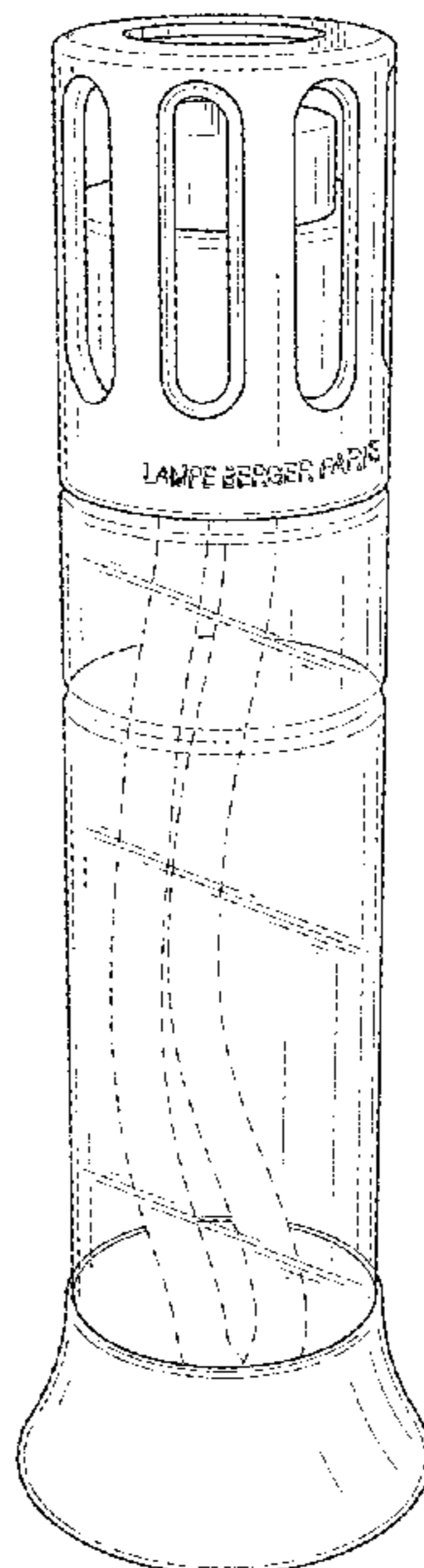
The ornamental design for an air freshener, as shown and described.

**DESCRIPTION**

FIG. 1 is a front, right side, and top perspective view of an air freshener showing the new design;  
FIG. 2 is a front elevation view thereof;  
FIG. 3 is a rear elevation view thereof;  
FIG. 4 is a right side elevation view thereof;  
FIG. 5 is a left side elevation view thereof;  
FIG. 6 is a top plan view thereof; and,  
FIG. 7 is a bottom plan view thereof.

The broken lines in the drawings depict portions of the air freshener that form no part of the claimed design. In particular, the lettering shown on the front of the air freshener and the curved, looped wick shown inside the air freshener are shown in broken lines.

**1 Claim, 7 Drawing Sheets**



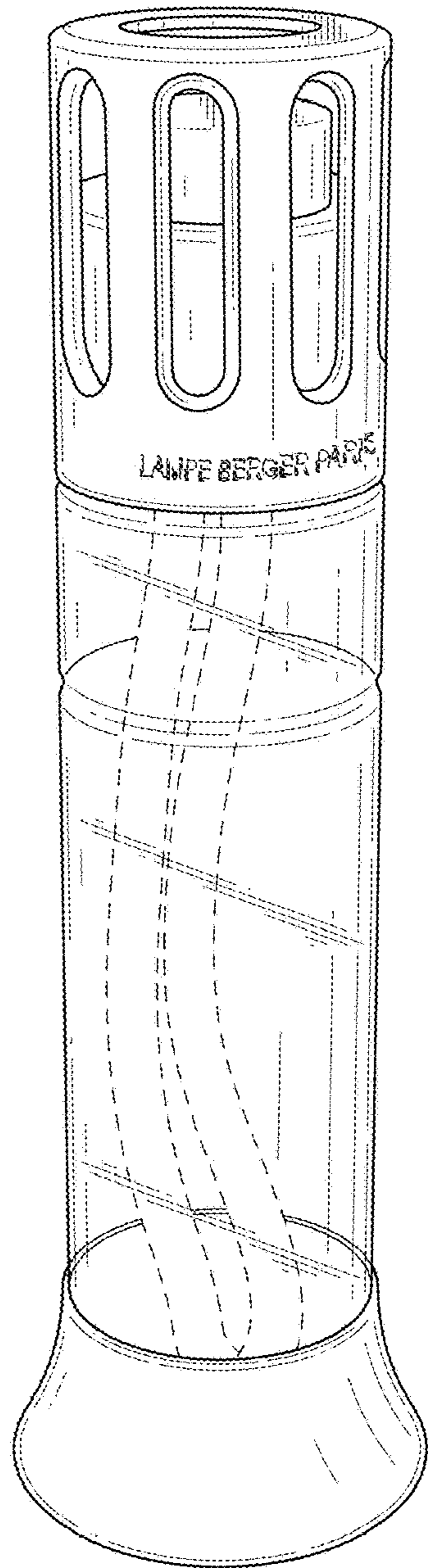


FIG.1

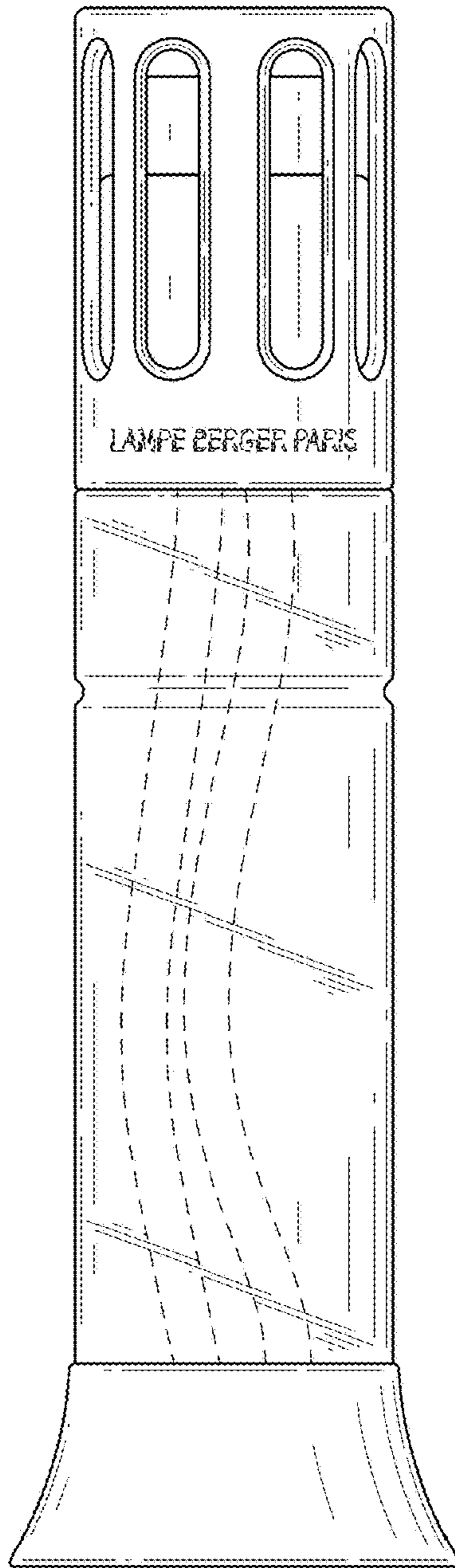


FIG. 2

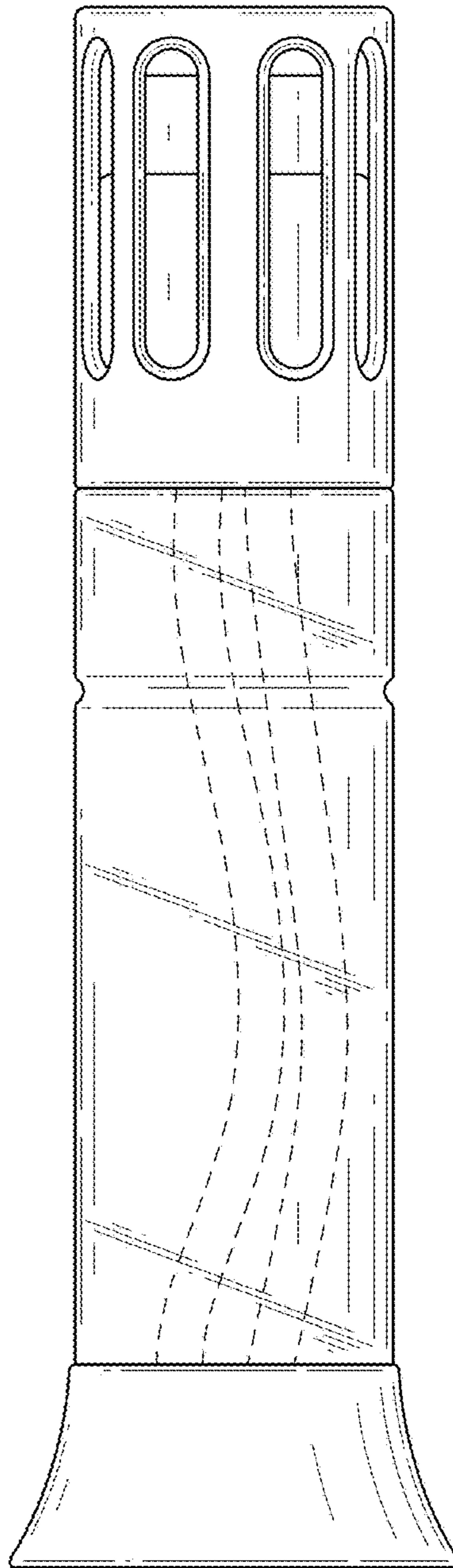


FIG.3

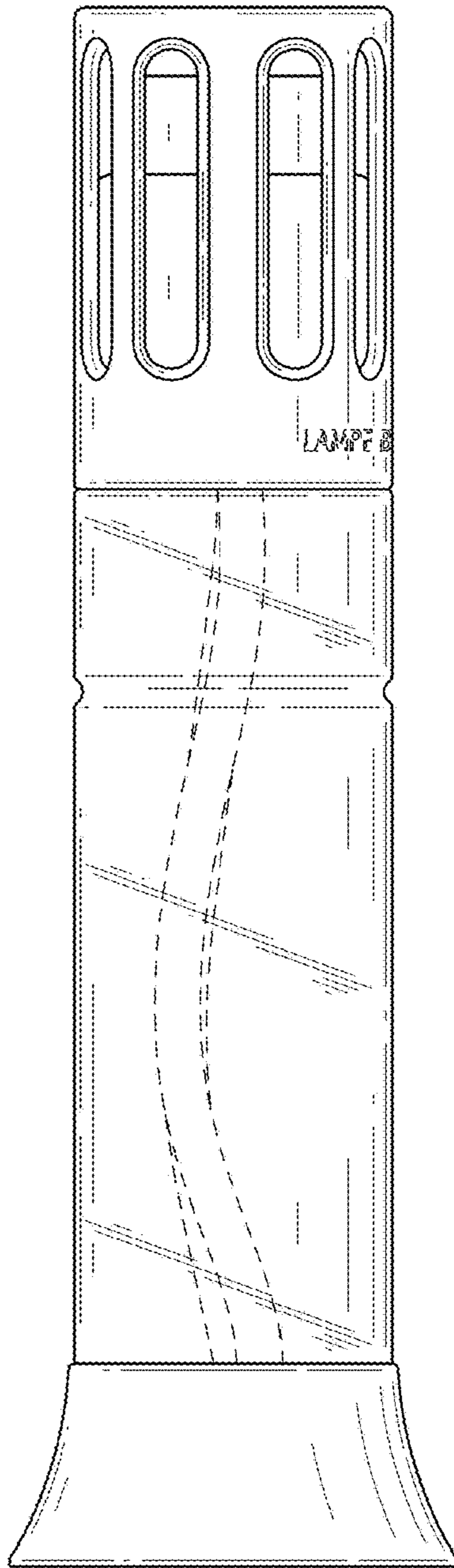


FIG. 4



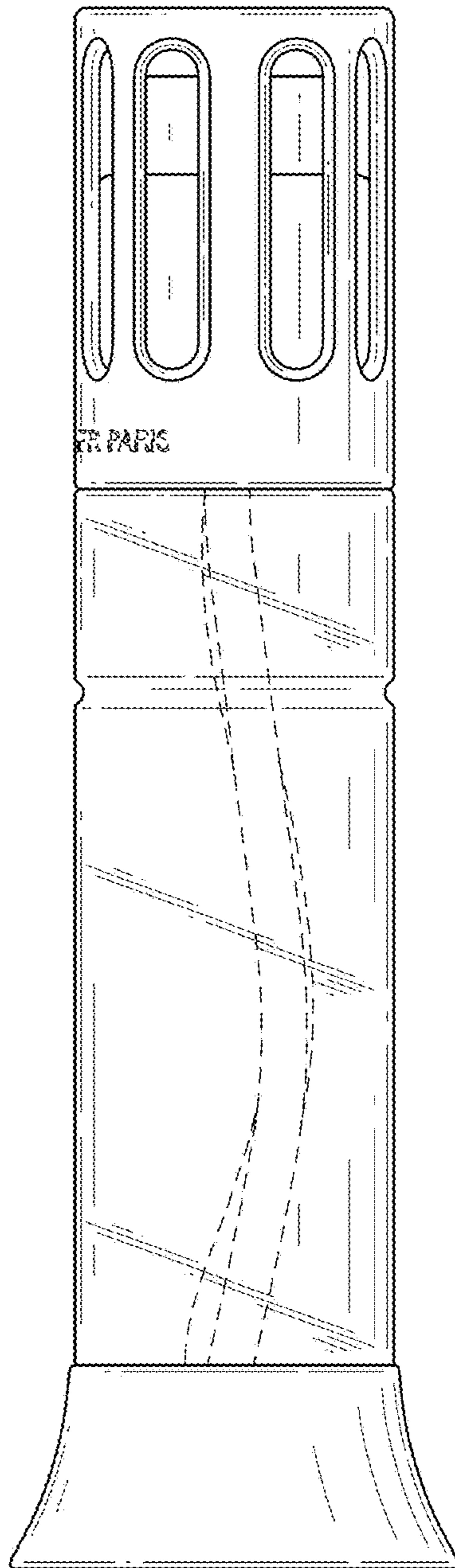


FIG.5

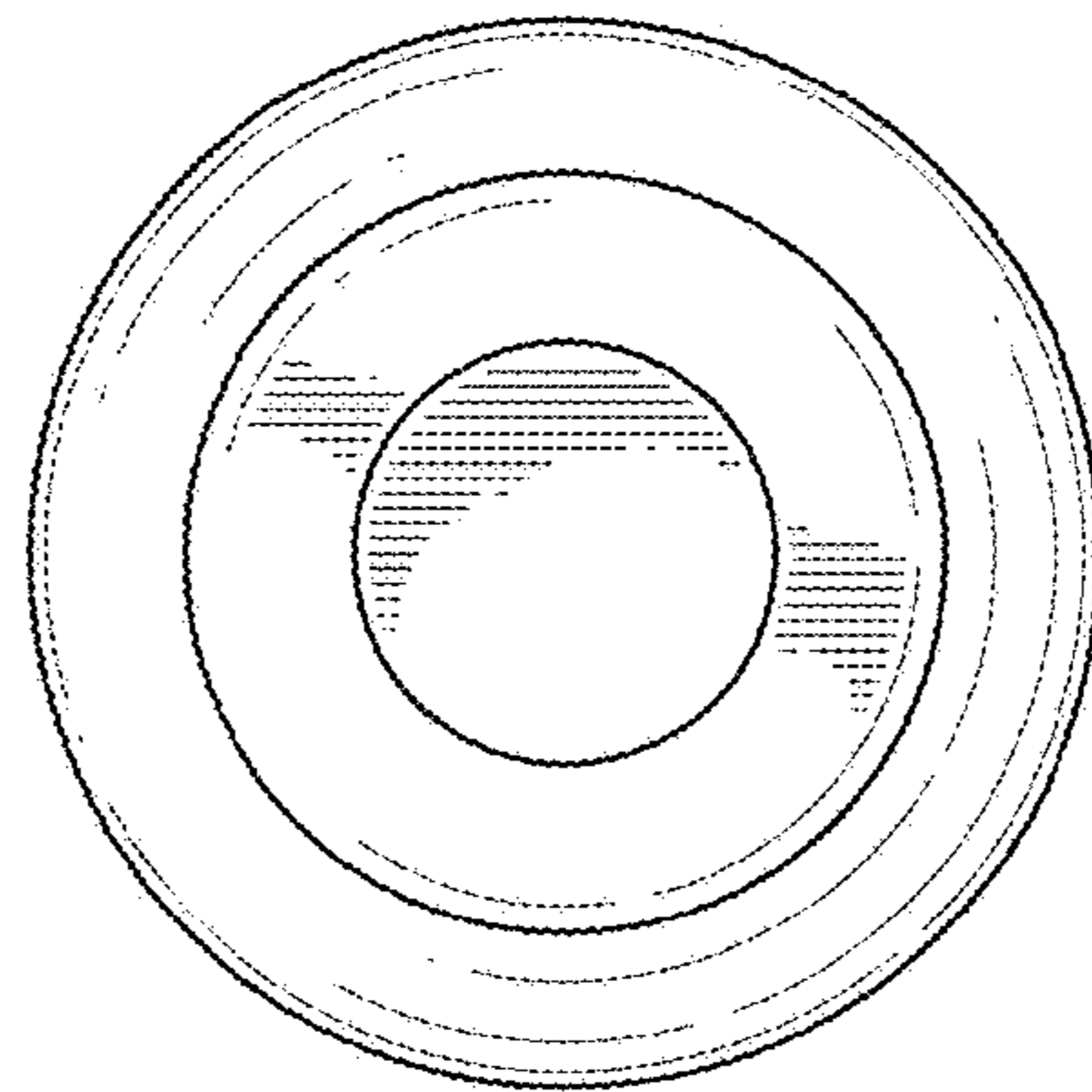


FIG. 6

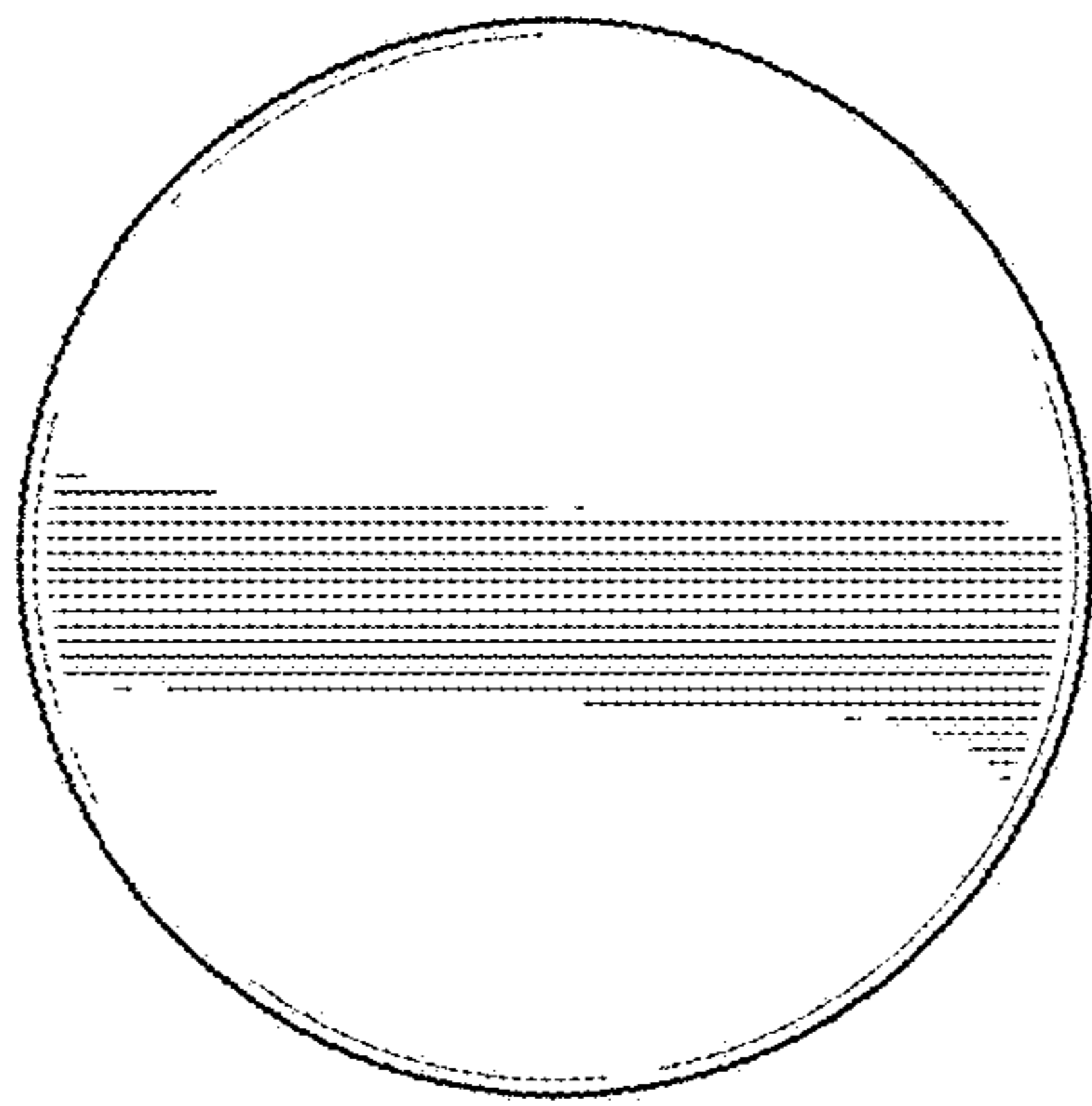


FIG.7