



US00D840527S

(12) **United States Design Patent** (10) **Patent No.:** **US D840,527 S**
Israel et al. (45) **Date of Patent:** **** Feb. 12, 2019**

(54) **HUMIDIFIER**
(71) Applicant: **Vornado Air, LLC**, Andover, KS (US)
(72) Inventors: **Gary Israel**, Andover, KS (US);
Timothy M. Holub, Cheney, KS (US);
Glen W. Ediger, North Newton, KS
(US); **Regan Axtell**, Andover, KS (US);
Amy E. Vogel, Wichita, KS (US)
(73) Assignee: **VORNADO AIR, LLC**, Andover, KS
(US)

D386,575 S * 11/1997 Chiu D23/356
D394,702 S * 5/1998 Chiu D23/356
D422,070 S * 3/2000 Bellil D23/364
D434,843 S * 12/2000 Zaragoza D23/366
D435,095 S * 12/2000 Nanjo D23/351
D443,738 S * 6/2001 Makihara D32/21
D483,455 S * 12/2003 Leslie D23/335
D493,874 S * 8/2004 Woods D23/364
D500,847 S * 1/2005 Manke D23/356
D504,675 S * 5/2005 Dayan D14/216
D574,072 S * 7/2008 Carlson D23/364
D605,271 S * 12/2009 Sata D23/351

(Continued)

(**) Term: **15 Years**
(21) Appl. No.: **29/605,015**
(22) Filed: **May 23, 2017**
(51) **LOC (11) Cl.** **23-04**
(52) **U.S. Cl.**
USPC **D23/356**
(58) **Field of Classification Search**
USPC D23/355-366, 352, 369, 332, 333, 335,
D23/336, 342, 351; 422/120, 122;
55/356, 473, 504; 96/97; 261/DIG. 17,
261/DIG. 65, DIG. 88, DIG. 31
CPC .. A61L 9/16; A61L 9/22; B01D 47/00; B01D
47/027; B01D 2221/02; B01D 2259/4508;
B03C 3/155; B03C 3/368; F24F 3/16;
F24F 3/20; F24F 13/28; F24F 2001/0096;
F24F 3/1405; F24F 3/1603
See application file for complete search history.

(56) **References Cited**
U.S. PATENT DOCUMENTS
D274,353 S * 6/1984 Hoyle D23/352
D337,634 S * 7/1993 Copland D23/356
D355,962 S * 2/1995 Chiu D23/364
D358,461 S * 5/1995 Barker D23/356
D364,165 S * 11/1995 Esslinger D14/213
5,529,726 A * 6/1996 Glenn F24F 6/04
261/107
D374,480 S * 10/1996 Micoley D23/356

OTHER PUBLICATIONS

amazon.com, Vornado EV200 Evaporative Whole Room Humidifier with Simple Tank, 1.5 Gallon Capacity, White, Sep. 4, 2017, https://www.amazon.com/dp/B074XZ4K1H/ref=twister_B0759J5TNG?_encoding=UTF8&psc=1 (Year: 2017).*

Primary Examiner — David G Muller
Assistant Examiner — Nathan M Johnston
(74) *Attorney, Agent, or Firm* — Milligan PC LLO

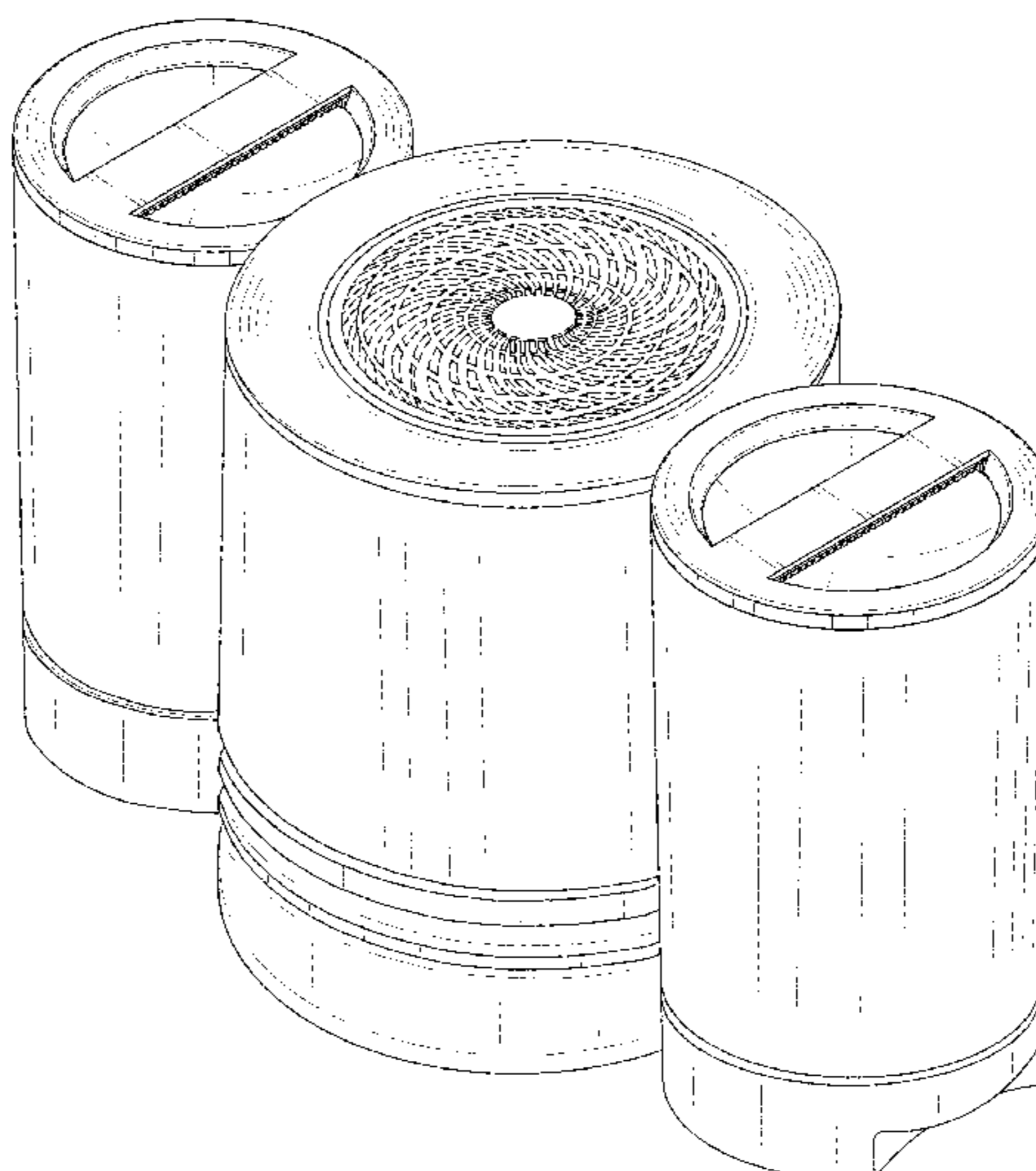
(57) **CLAIM**

The ornamental design for humidifier, as shown and described.

DESCRIPTION

FIG. 1 is a left, front, top perspective view of a humidifier showing our new design;
FIG. 2 is a top plan view thereof;
FIG. 3 is a bottom plan view thereof;
FIG. 4 is a front elevation view thereof;
FIG. 5 is a rear elevation view thereof;
FIG. 6 is right elevation view thereof; and,
FIG. 7 is a left elevation view thereof.
The broken lines represent portions of the structure that form no part of the claim.

1 Claim, 7 Drawing Sheets



(56)

References Cited

U.S. PATENT DOCUMENTS

D607,981	S *	1/2010	Yamaguchi	D23/351
D698,753	S *	2/2014	Yiu	D14/216
D700,692	S *	3/2014	Engelhardt	D23/360
D706,915	S *	6/2014	Suzuki	D23/366
D716,427	S *	10/2014	Lim	D23/364
D742,358	S *	11/2015	Alves	D14/216
D750,597	S *	3/2016	Fischer	D14/216
D765,618	S *	9/2016	Alves	D14/216
D771,141	S *	11/2016	Langhammer	D14/496
D787,034	S *	5/2017	Showole	D23/351
D789,502	S *	6/2017	Cartwright	D23/356
D803,190	S *	11/2017	Lee	D14/216
D803,369	S *	11/2017	Kim	D23/364
D805,622	S *	12/2017	Lee	D23/364
D806,843	S *	1/2018	McDonnell	D23/355
2005/0205916	A1 *	9/2005	Conway	A61L 9/127 257/299
2010/0024652	A1 *	2/2010	Fox	A61L 9/22 96/58
2017/0122605	A1 *	5/2017	Lee	F24F 6/16
2017/0321720	A1 *	11/2017	Park	F04D 29/703
2018/0036655	A1 *	2/2018	Downie	B01D 21/0009

* cited by examiner

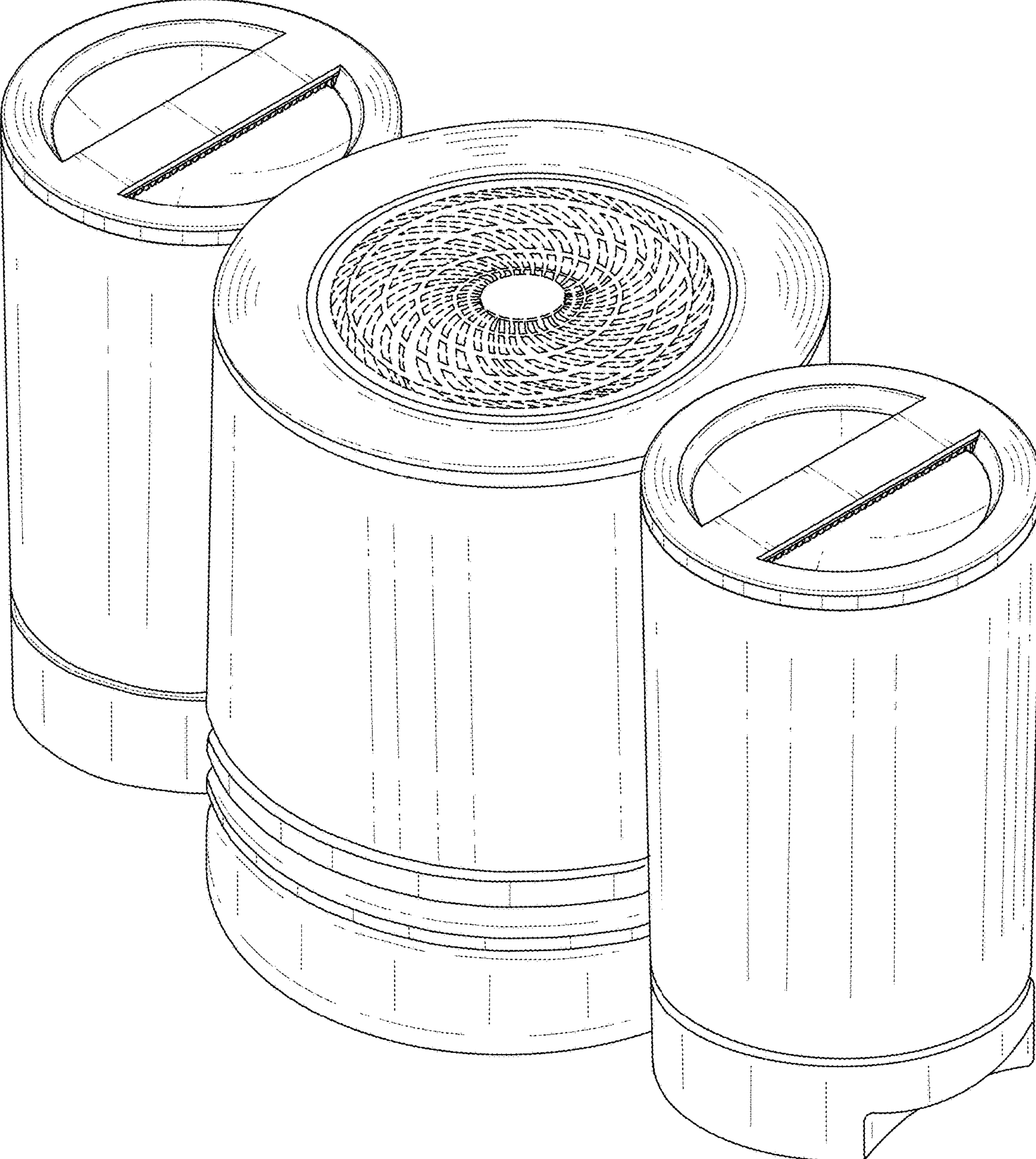


FIG. 1

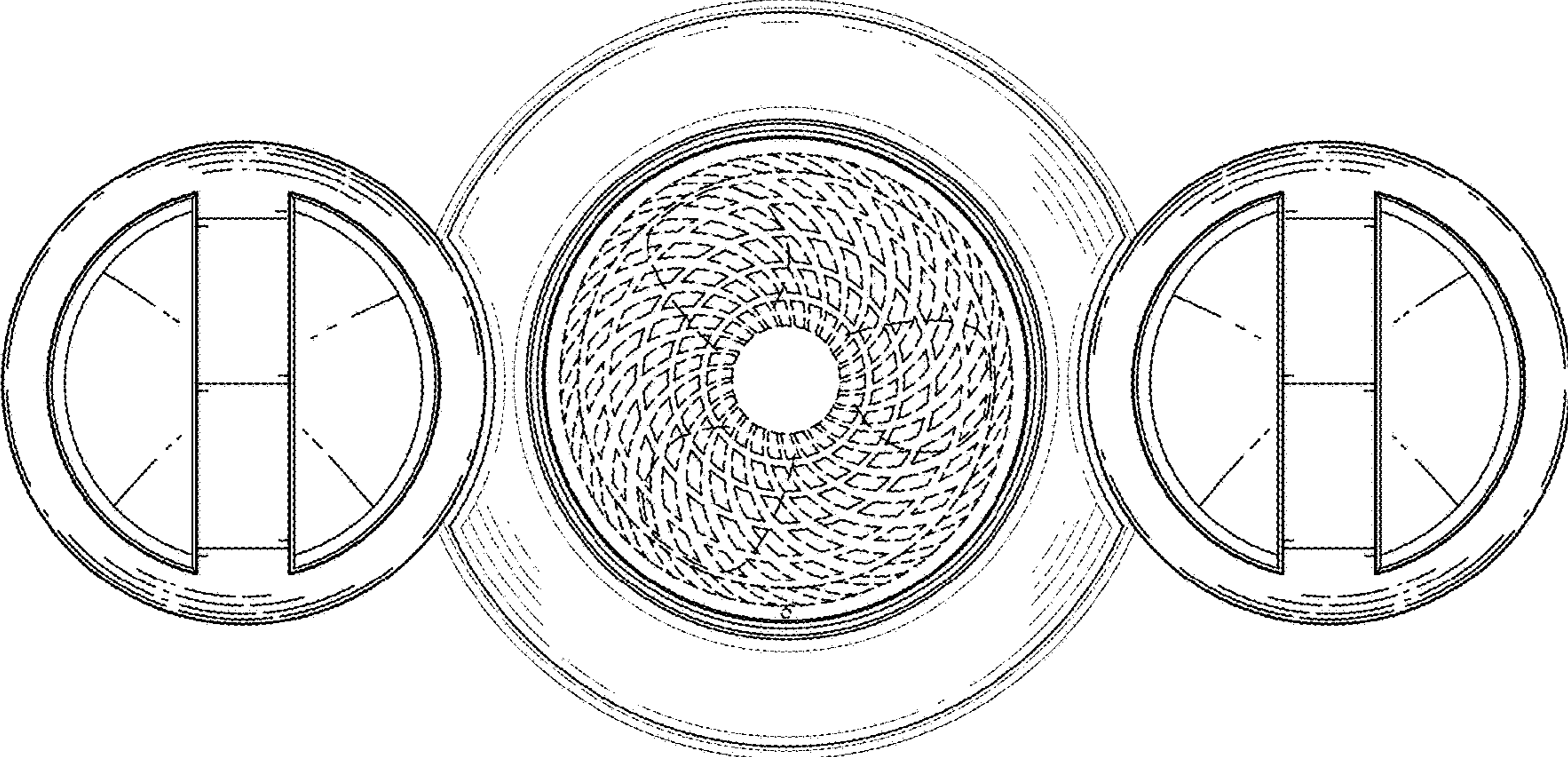


FIG. 2

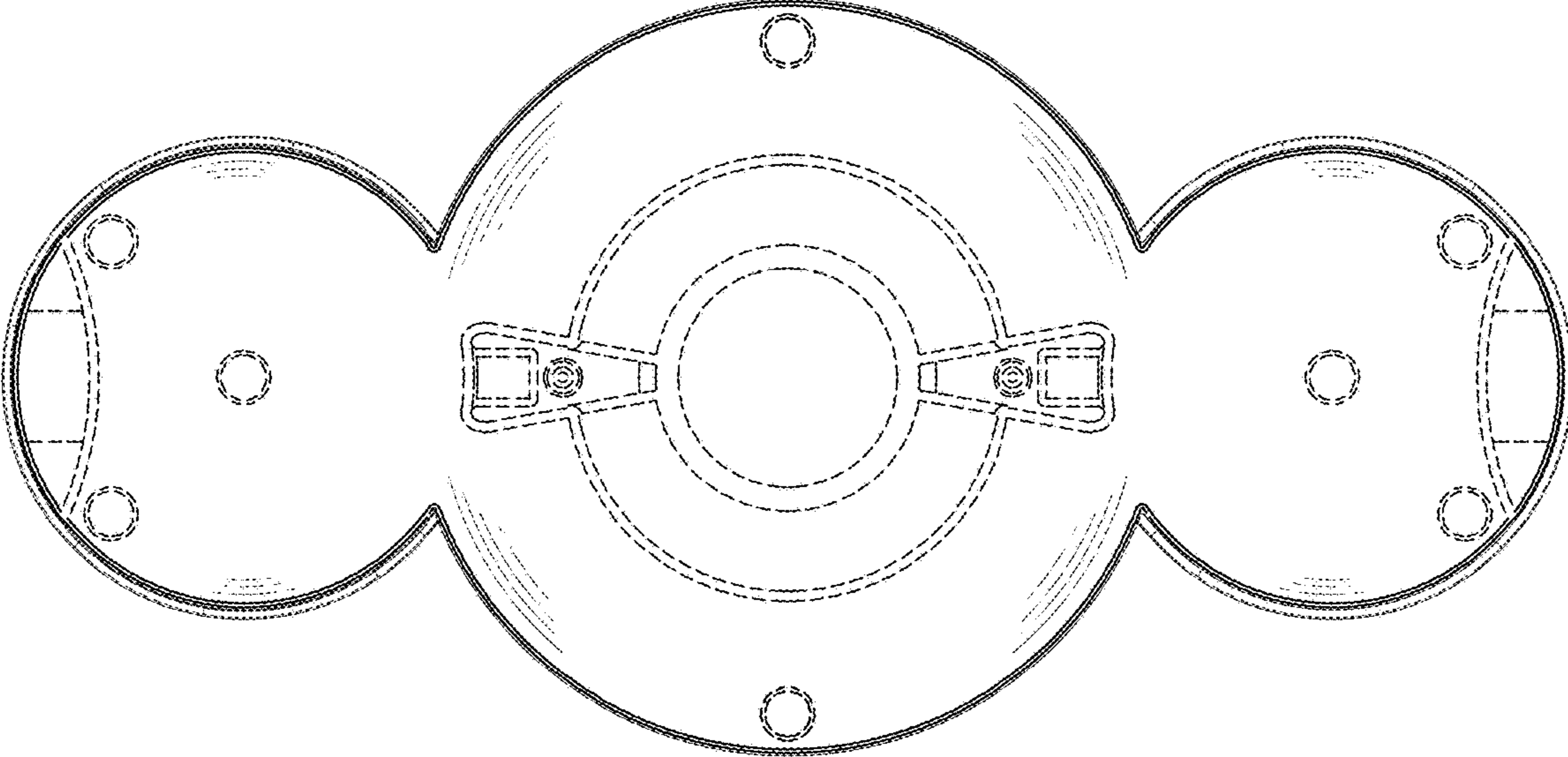


FIG. 3

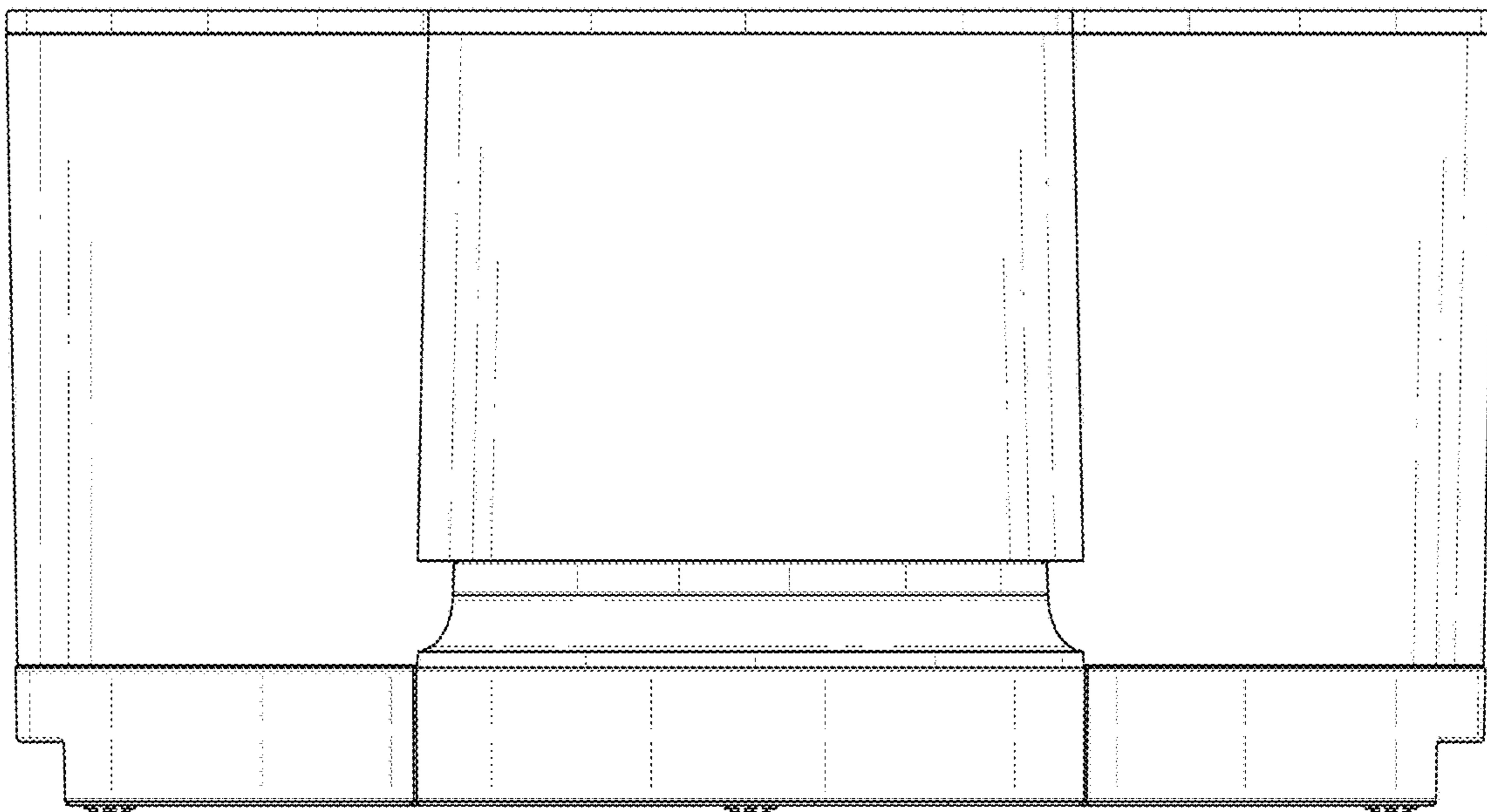


FIG. 4

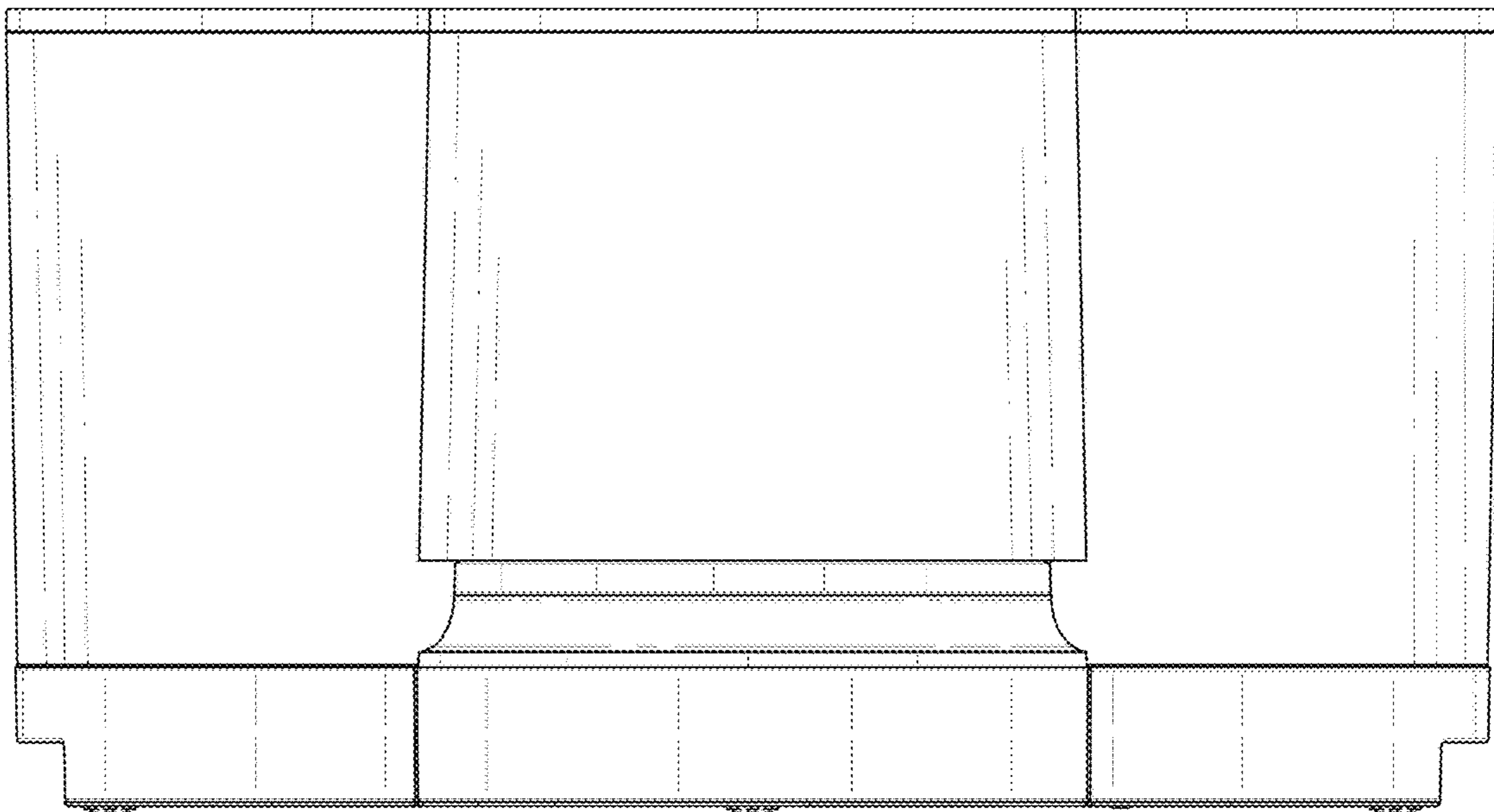


FIG. 5

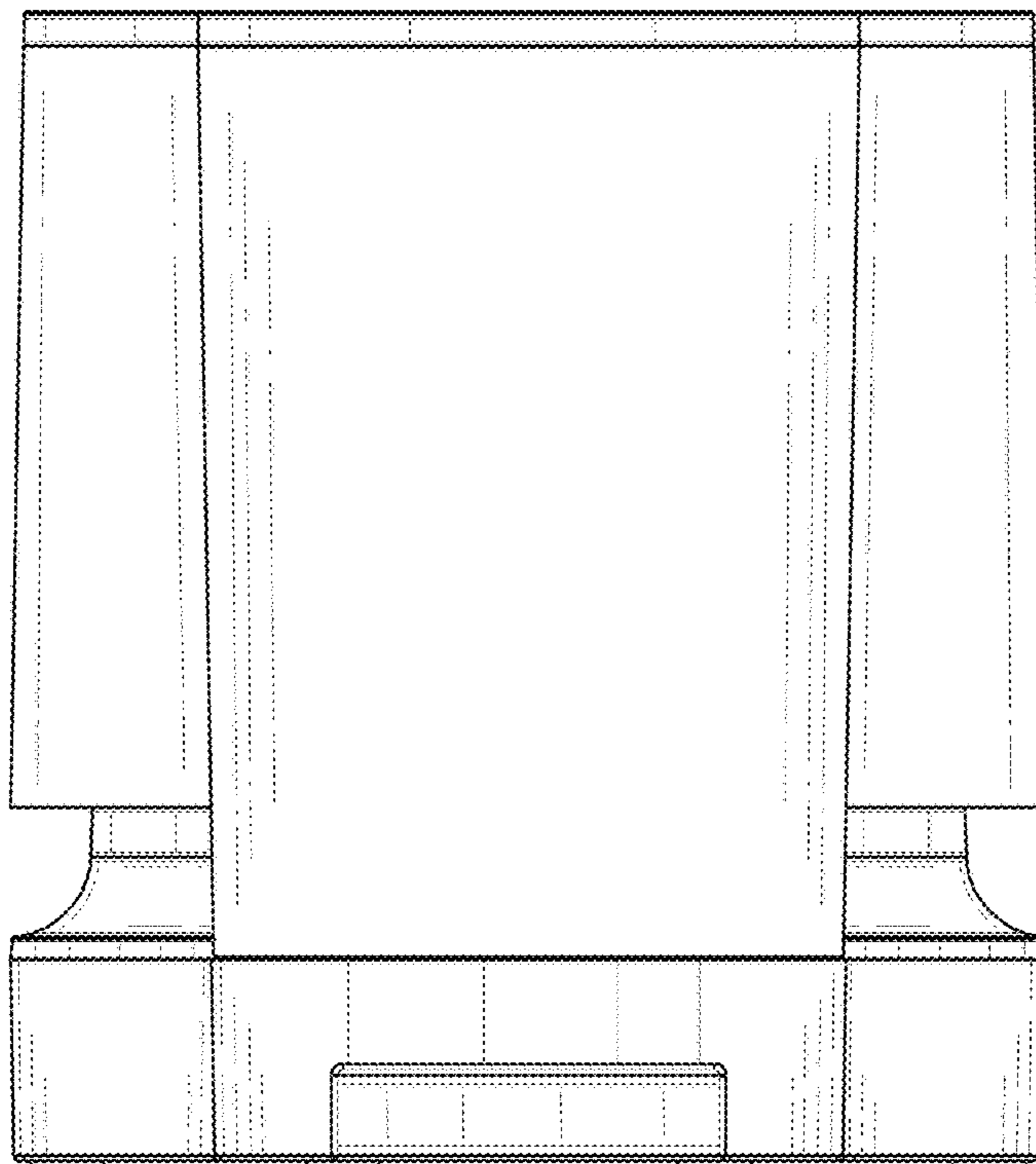


FIG. 6

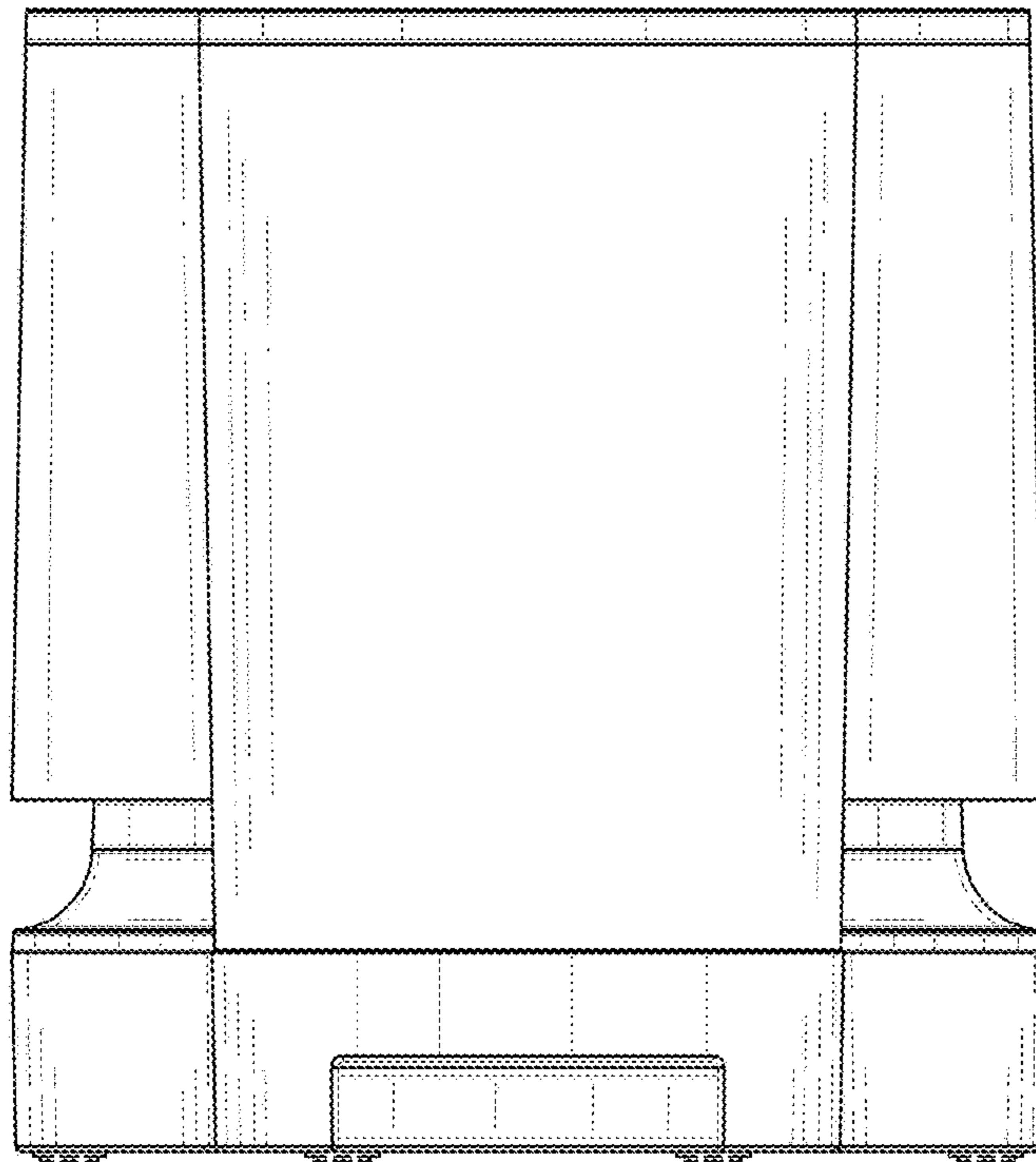


FIG. 7