



US00D840524S

(12) **United States Design Patent**
Bryant

(10) **Patent No.:** **US D840,524 S**

(45) **Date of Patent:** **** Feb. 12, 2019**

- (54) **FLOW-THROUGH PIPING CAP**
- (71) Applicant: **Dobber Industries, LLC**, Cleveland, TX (US)
- (72) Inventor: **Darwin Bryant**, Cleveland, TX (US)
- (73) Assignee: **Dobber Industries, LLC**, Conroe, TX (US)
- (**) Term: **15 Years**
- (21) Appl. No.: **29/617,129**
- (22) Filed: **Sep. 12, 2017**
- (51) **LOC (11) Cl.** **23-03**
- (52) **U.S. Cl.**
USPC **D23/322; D23/341**
- (58) **Field of Classification Search**
USPC D23/393, 259-269, 233, 245, 322, 341
CPC F16L 55/24; F16L 57/005; F16L 15/006;
F24F 13/222; F24F 2013/227
See application file for complete search history.

2011/0132817 A1* 6/2011 Gardner B01D 29/15
210/90
2017/0363246 A1* 12/2017 Bryant F16L 55/24
2018/0080589 A1* 3/2018 Heon F16L 37/0925

* cited by examiner

Primary Examiner — T Chase Nelson

Assistant Examiner — Ania Aman

(74) *Attorney, Agent, or Firm* — Phillip Black; James P Dossey; Dossey & Jones, PLLC

(57) **CLAIM**

The ornamental design for a flow-through piping cap, as shown and described.

DESCRIPTION

FIG. 1 is side view of the disassembled flow-through piping cap disclosed herein. The piping cap is disassembled to show the three individual pieces that make up the piping cap; FIG. 2 is a side view of the assembled flow-through piping cap disclosed herein. Flow-through piping cap is symmetrically cylindrical, therefore a view from any side about its cylindrical axis would result in the same image; FIG. 3 is a bottom-side view of the flow-through piping cap disclosed herein; and, FIG. 4 is a top-side view of the flow-through piping cap disclosed herein.

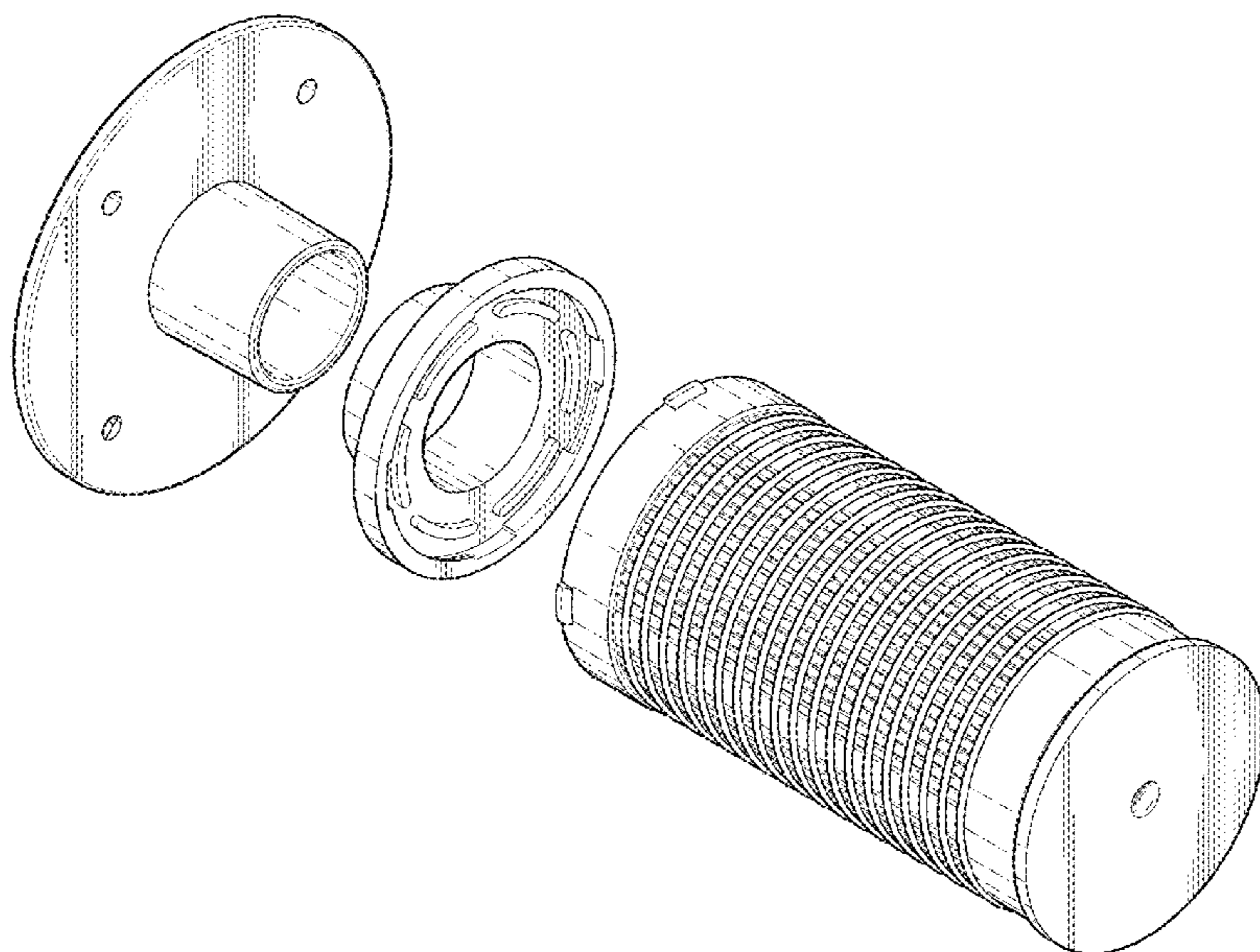
The surface shading is for purposes of illustrating the contour and appearance of the claimed surface upon which is illustrated, but is not actually seen on the surfaces of the flow-through piping cap.

1 Claim, 3 Drawing Sheets

(56) **References Cited**

U.S. PATENT DOCUMENTS

- 4,067,072 A * 1/1978 Izzi E03F 5/0407
285/12
- D412,738 S * 8/1999 Kuwabara D23/233
- D419,652 S * 1/2000 Hall D23/259
- D463,537 S * 9/2002 Kozu D23/233
- D545,404 S * 6/2007 Nightlinger D23/260
- D545,405 S * 6/2007 Nightlinger D23/260
- 7,624,756 B1 * 12/2009 Coogle F24F 13/222
137/240



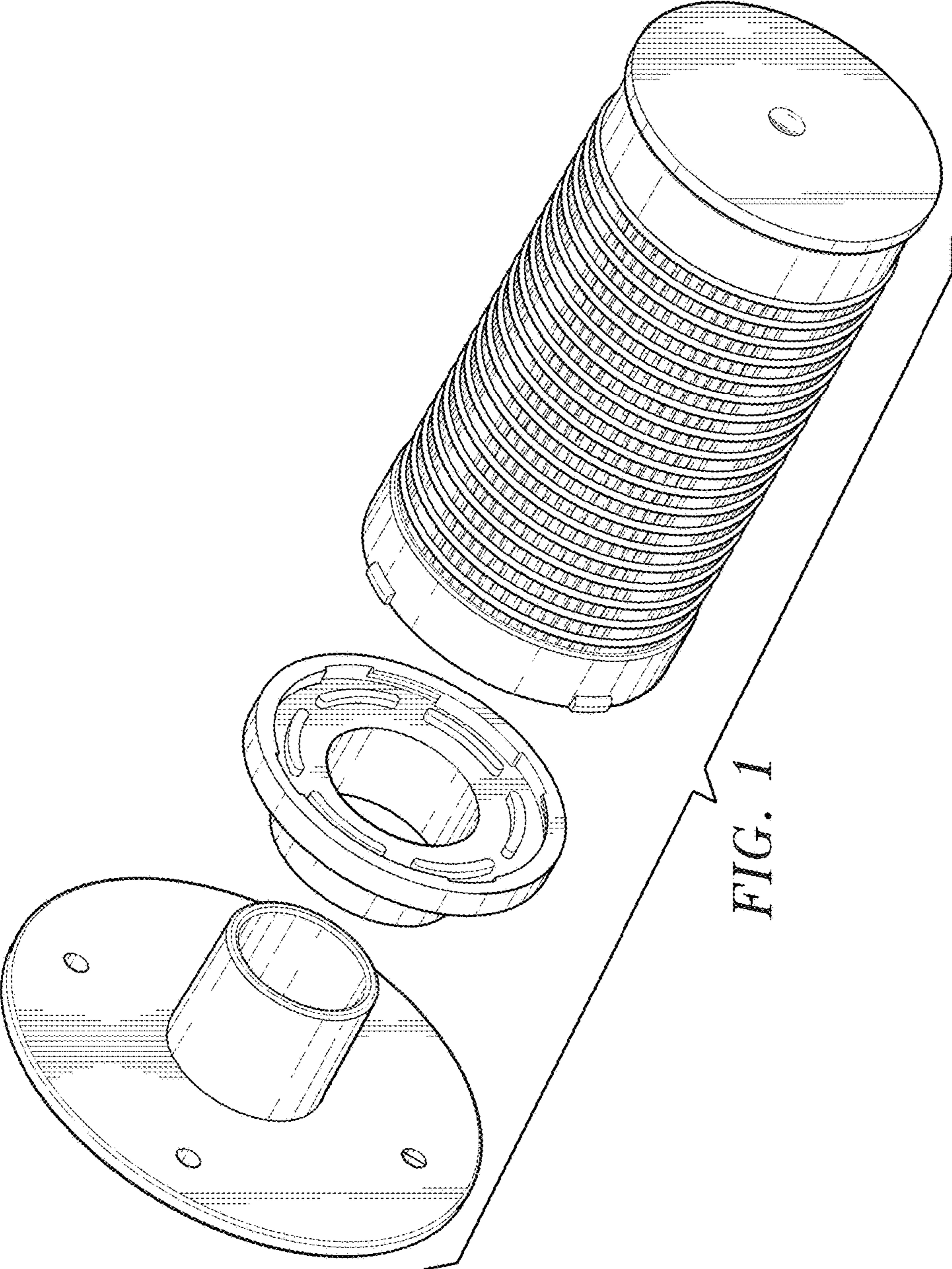


FIG. 1

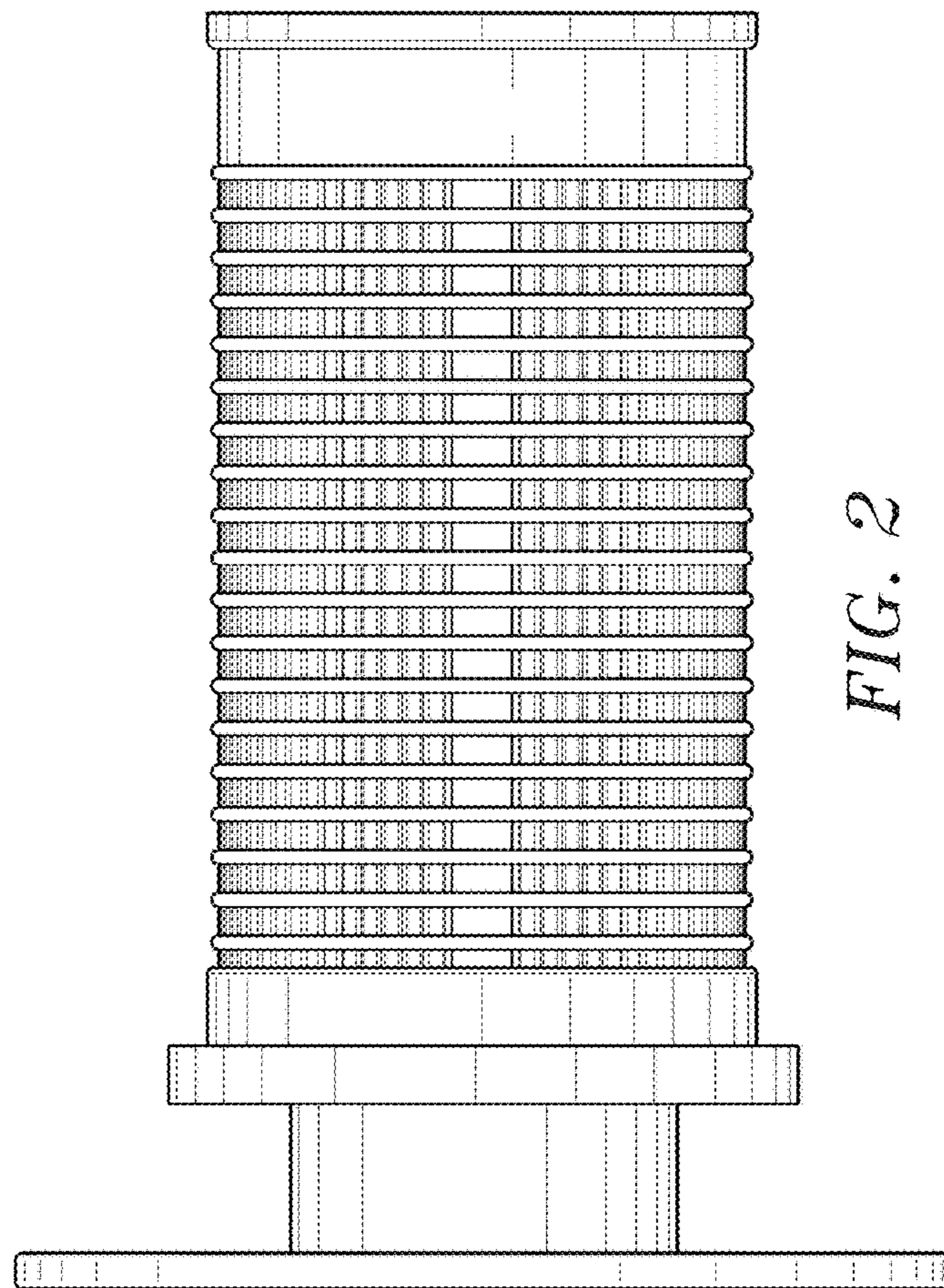


FIG. 2

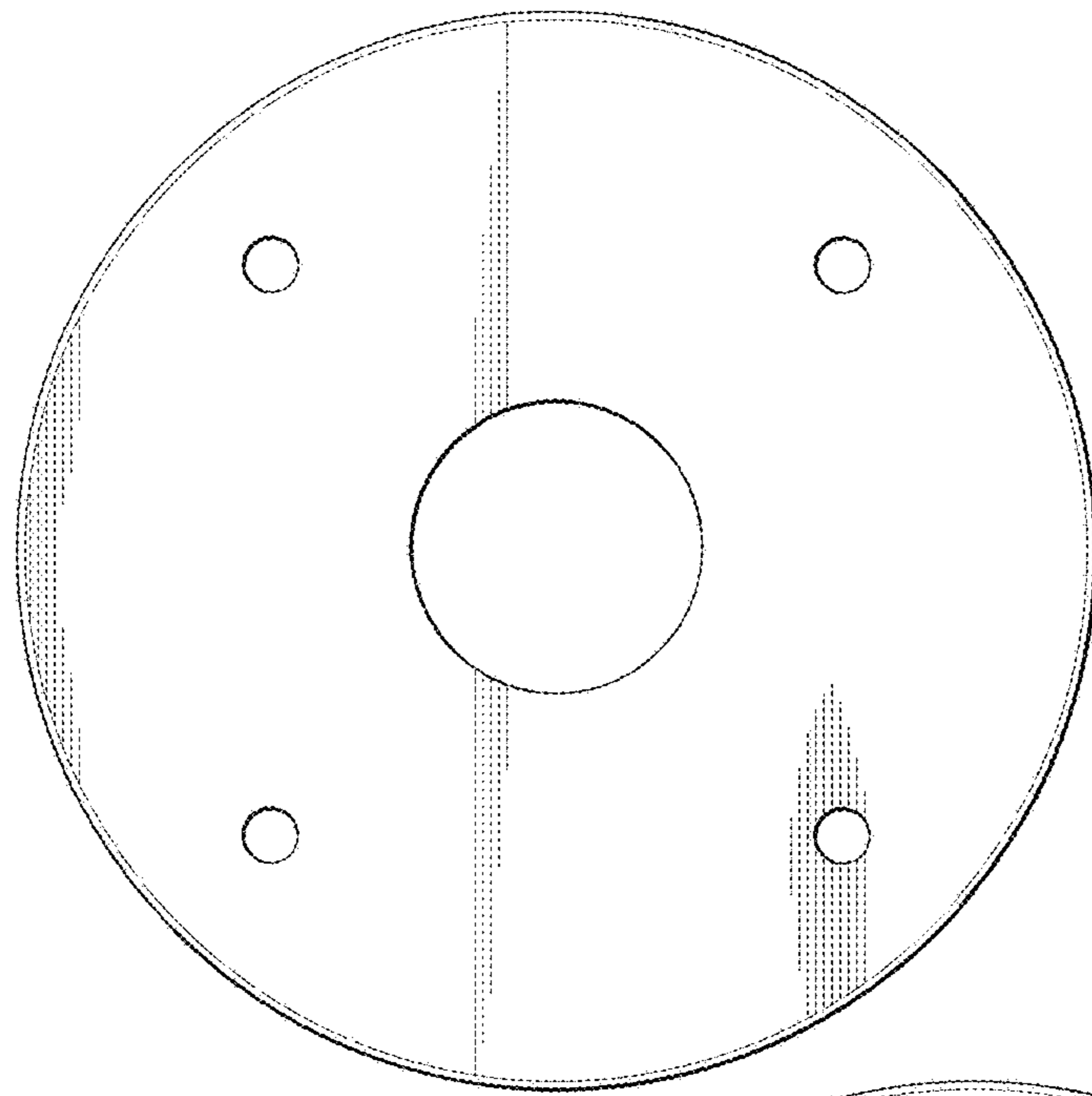


FIG. 3

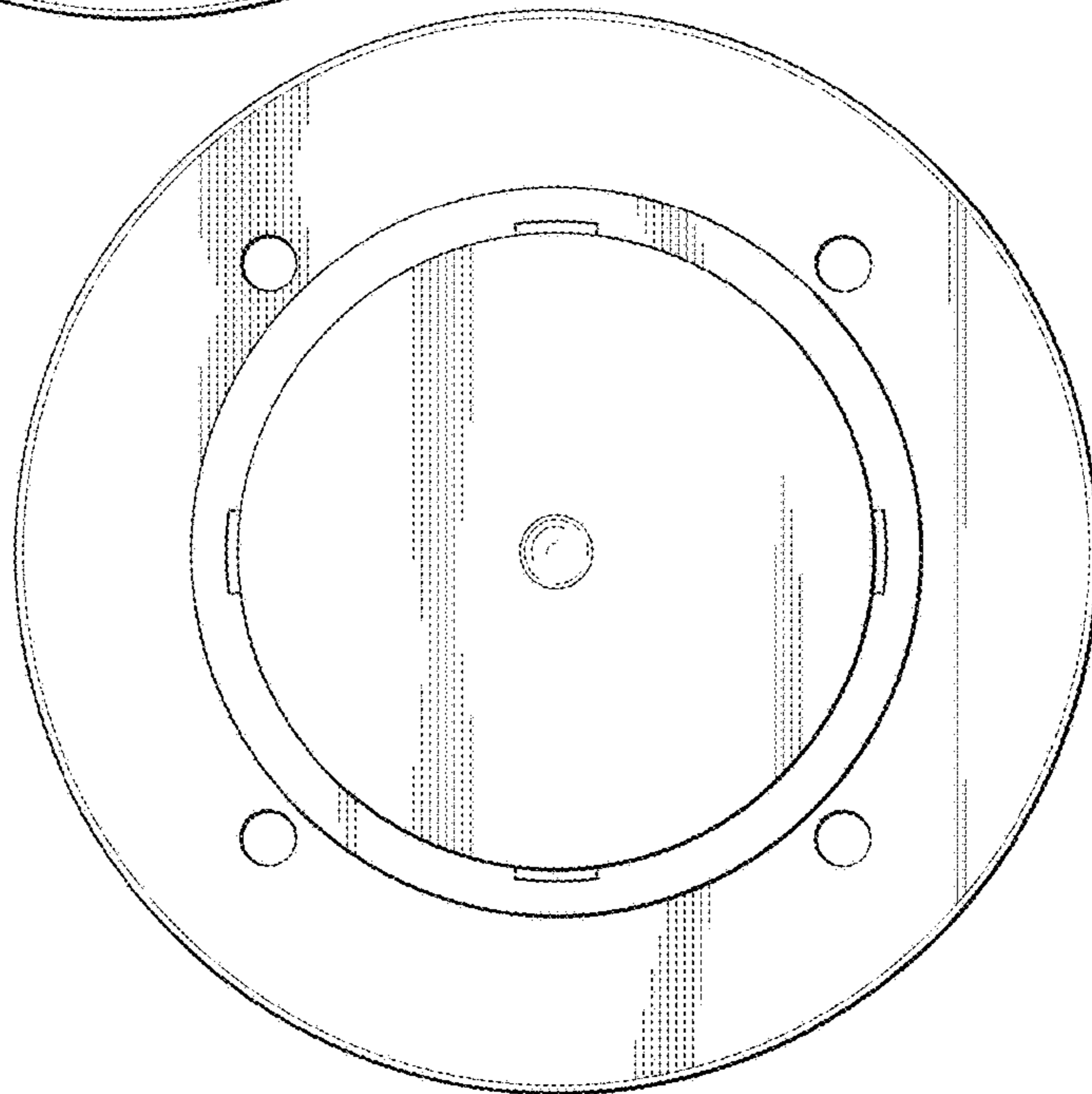


FIG. 4