



US00D840523S

(12) **United States Design Patent** (10) **Patent No.:** **US D840,523 S**  
**Boeltl et al.** (45) **Date of Patent:** **\*\* Feb. 12, 2019**

(54) **LIGATURE RESISTANT CORNER BASIN**

**DESCRIPTION**

(71) Applicant: **Acorn Engineering Company**, City of Industry, CA (US)  
(72) Inventors: **Darryl M. Boeltl**, Whittier, CA (US); **Christopher T. Adkison**, Ontario, CA (US)  
(73) Assignee: **Acorn Engineering Company**, City of Industry, CA (US)  
(\*\*) Term: **15 Years**  
(21) Appl. No.: **29/614,801**  
(22) Filed: **Aug. 23, 2017**  
(51) **LOC (11) Cl.** ..... **23-02**  
(52) **U.S. Cl.**  
USPC ..... **D23/308**  
(58) **Field of Classification Search**  
USPC ..... D23/284, 293.1, 303, 308, 286, 288;  
D6/707, 707.19, 707.26  
CPC ..... E03C 1/18  
See application file for complete search history.

(56) **References Cited**

**U.S. PATENT DOCUMENTS**

D54,101 S \* 11/1919 Knight ..... D23/287  
D287,748 S \* 1/1987 Landan ..... D23/286  
D535,728 S \* 1/2007 Helmetsie ..... D23/286  
D645,124 S \* 9/2011 Palomba ..... D23/284  
D676,945 S \* 2/2013 Schindler ..... D23/286  
D823,994 S \* 7/2018 Kergoet ..... D23/284

\* cited by examiner

*Primary Examiner* — Robert A Delehanty

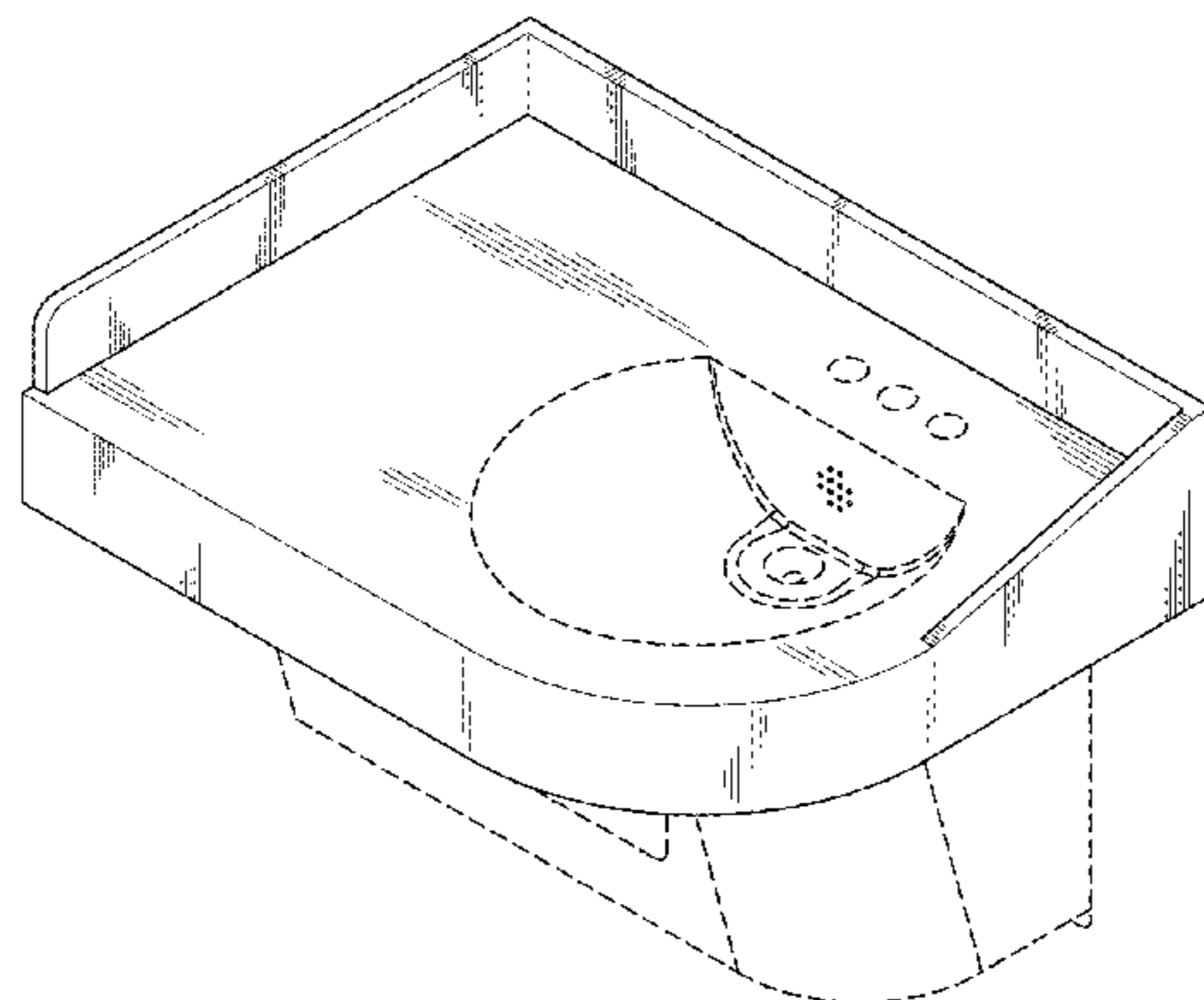
(74) *Attorney, Agent, or Firm* — Eric J. Sosenko;  
Jonathan P. O'Brien; Honigman Miller Schwartz and  
Cohn LLP

(57) **CLAIM**

The ornamental design for a ligature resistant corner basin,  
as shown and described.

FIG. 1 is a top-right quartering perspective view of a ligature resistant corner basin filling station embodying the principles of the present invention;  
FIG. 2 is a top view of the ligature resistant corner basin seen in FIG. 1;  
FIG. 3 is a front view of the ligature resistant corner basin seen in FIG. 1;  
FIG. 4 is a right side view of the ligature resistant corner basin seen in FIG. 1;  
FIG. 5 is a left side view of the ligature resistant corner basin seen in FIG. 1;  
FIG. 6 is rear view of the ligature resistant corner basin seen in FIG. 1;  
FIG. 7 is a bottom view of the ligature resistant corner basin seen in FIG. 1;  
FIG. 8 is a top-left quartering perspective view of a further embodiment of a ligature resistant corner basin incorporating the principles of the present invention;  
FIG. 9 top view of the ligature resistant corner basin seen in FIG. 8;  
FIG. 10 is a front view of the ligature resistant corner basin seen in FIG. 8;  
FIG. 11 is a left side view of the ligature resistant corner basin seen in FIG. 8;  
FIG. 12 is a right side view of the ligature resistant corner basin seen in FIG. 8;  
FIG. 13 is a rear view of the ligature resistant corner basin seen in FIG. 8; and,  
FIG. 14 is a bottom view of the ligature resistant corner basin seen in FIG. 8.  
Broken lines in the figures are for illustrative purposes only and are not part of the claimed design. Shade lines having a combination of long and short lines in the figures show contour and not surface ornamentation.

**1 Claim, 8 Drawing Sheets**



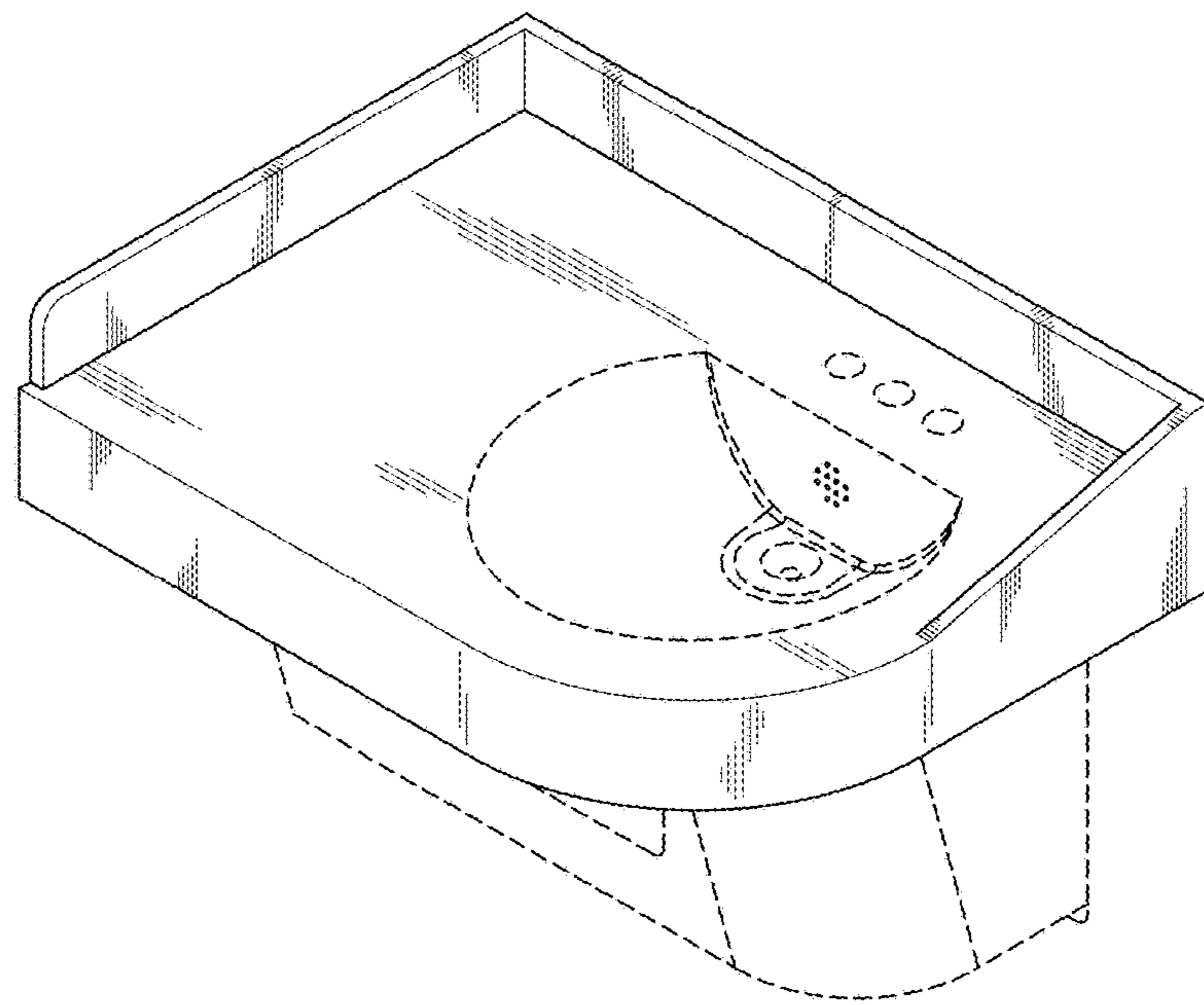


FIG. 1

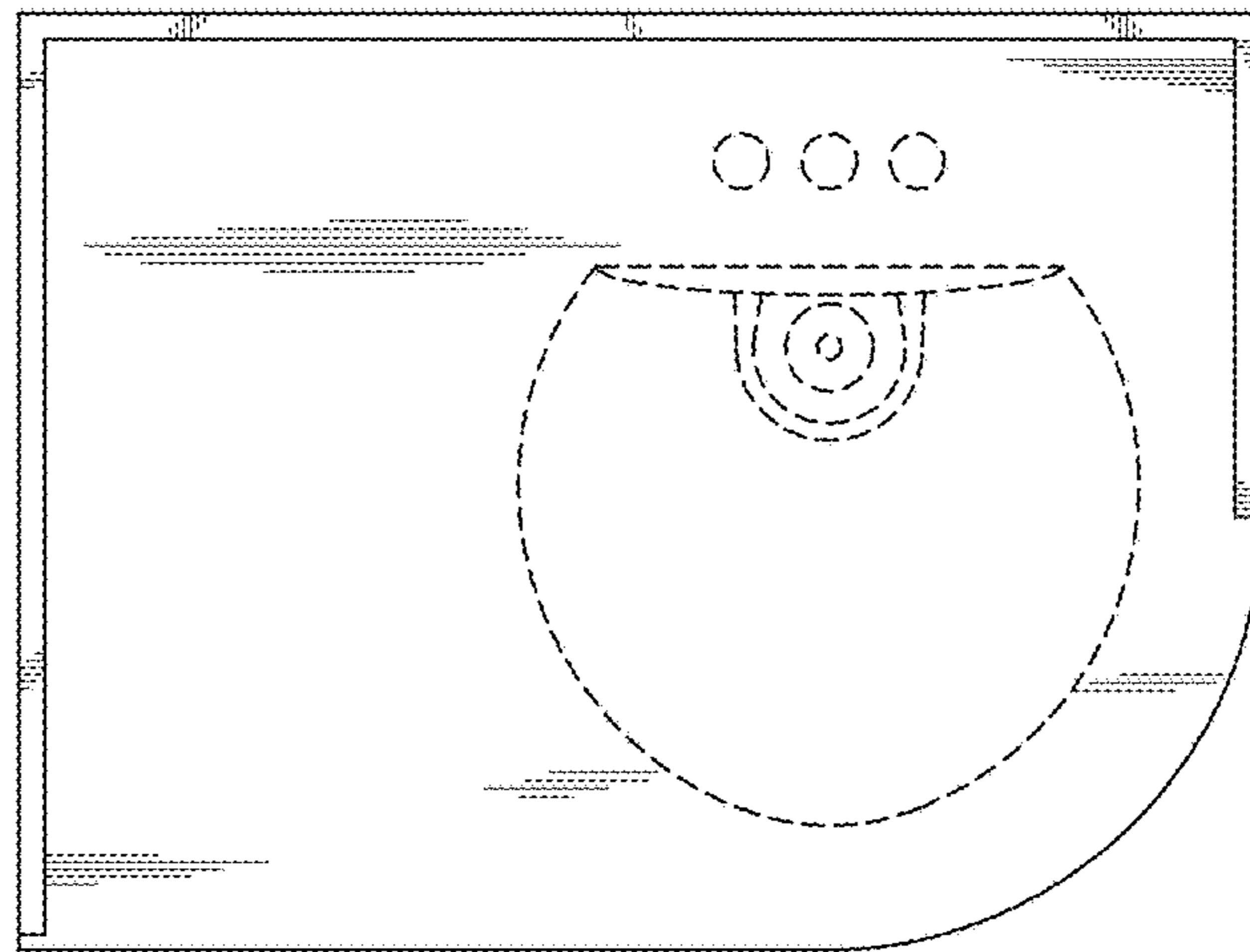


FIG. 2

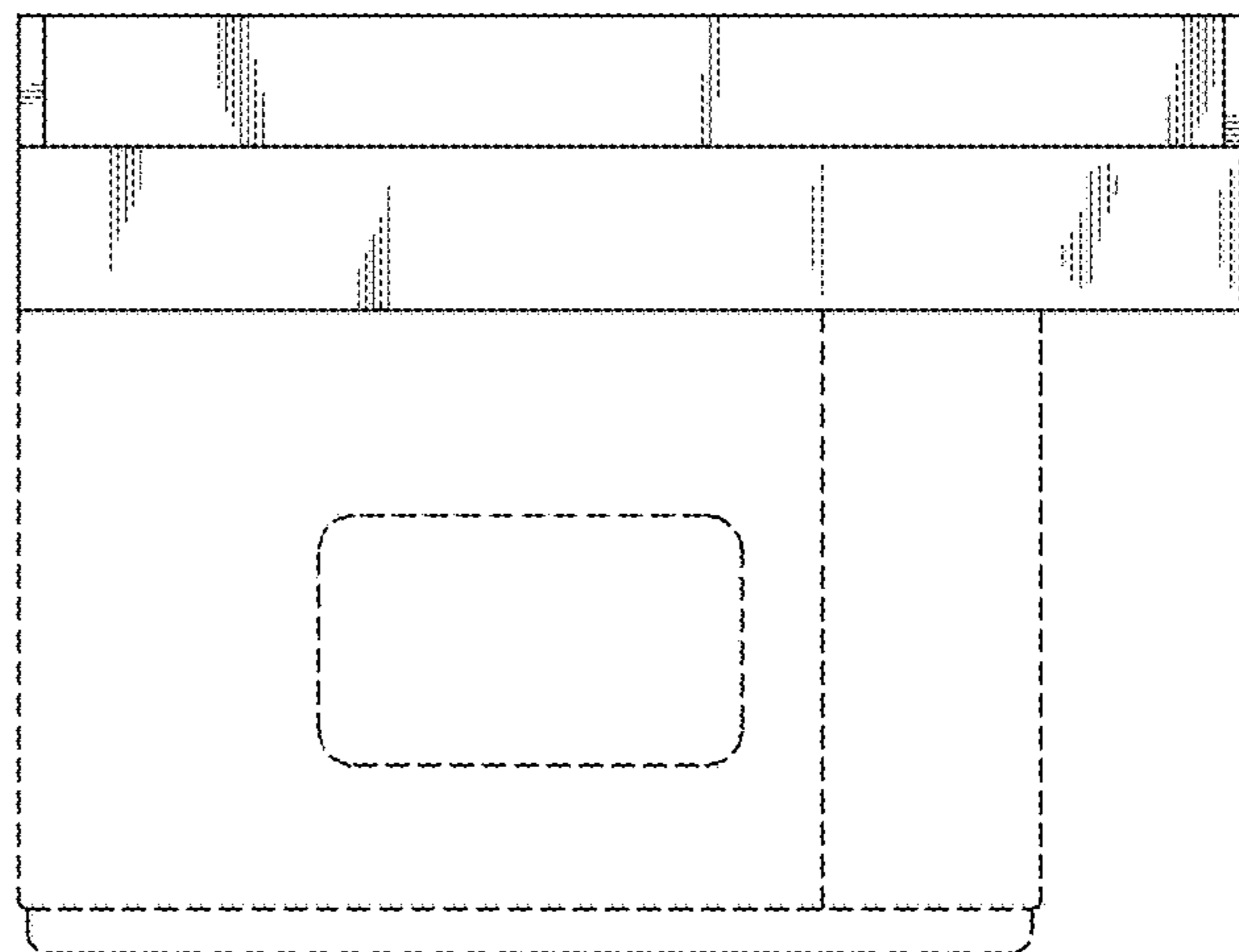


FIG. 3

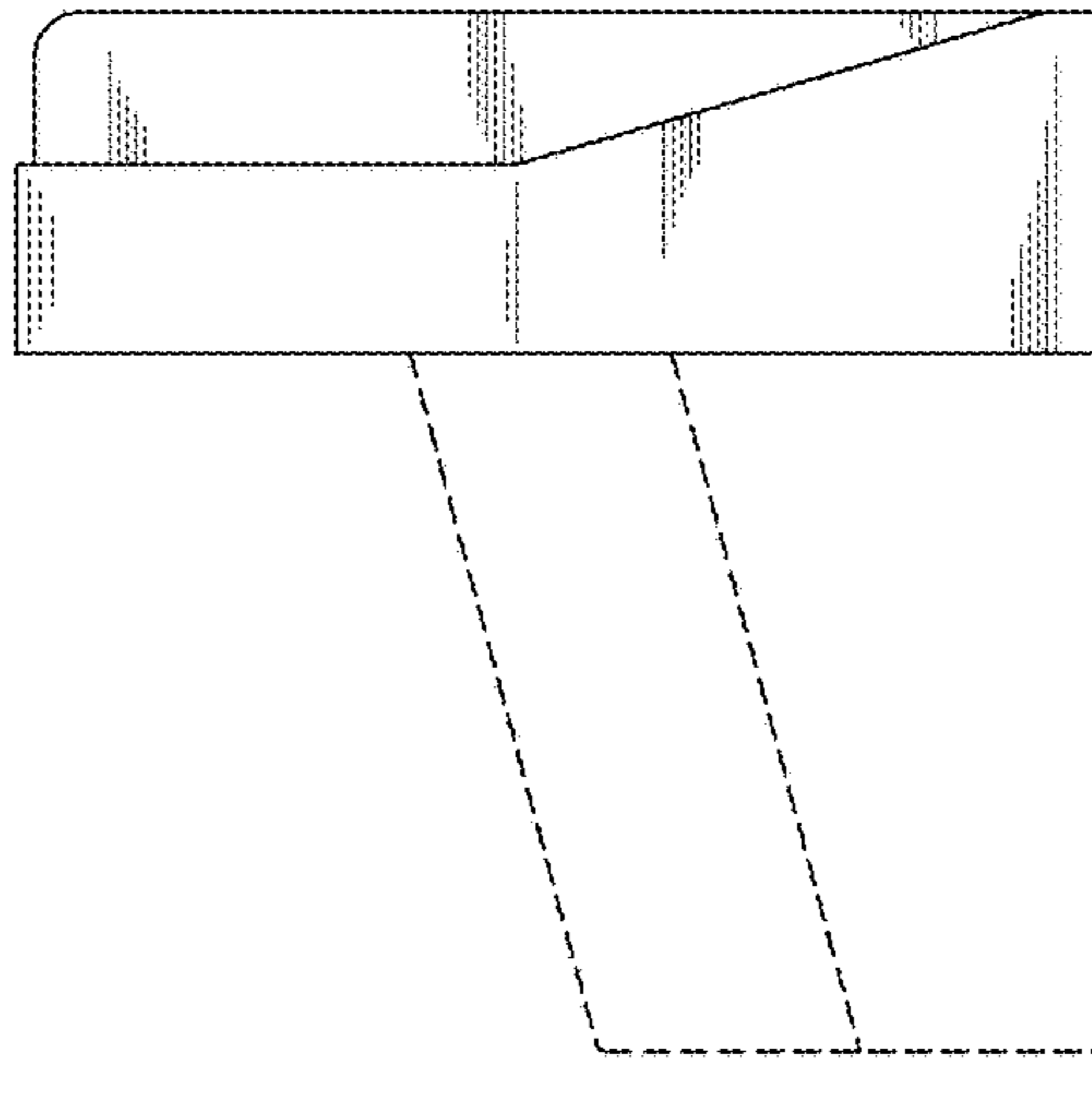


FIG. 4

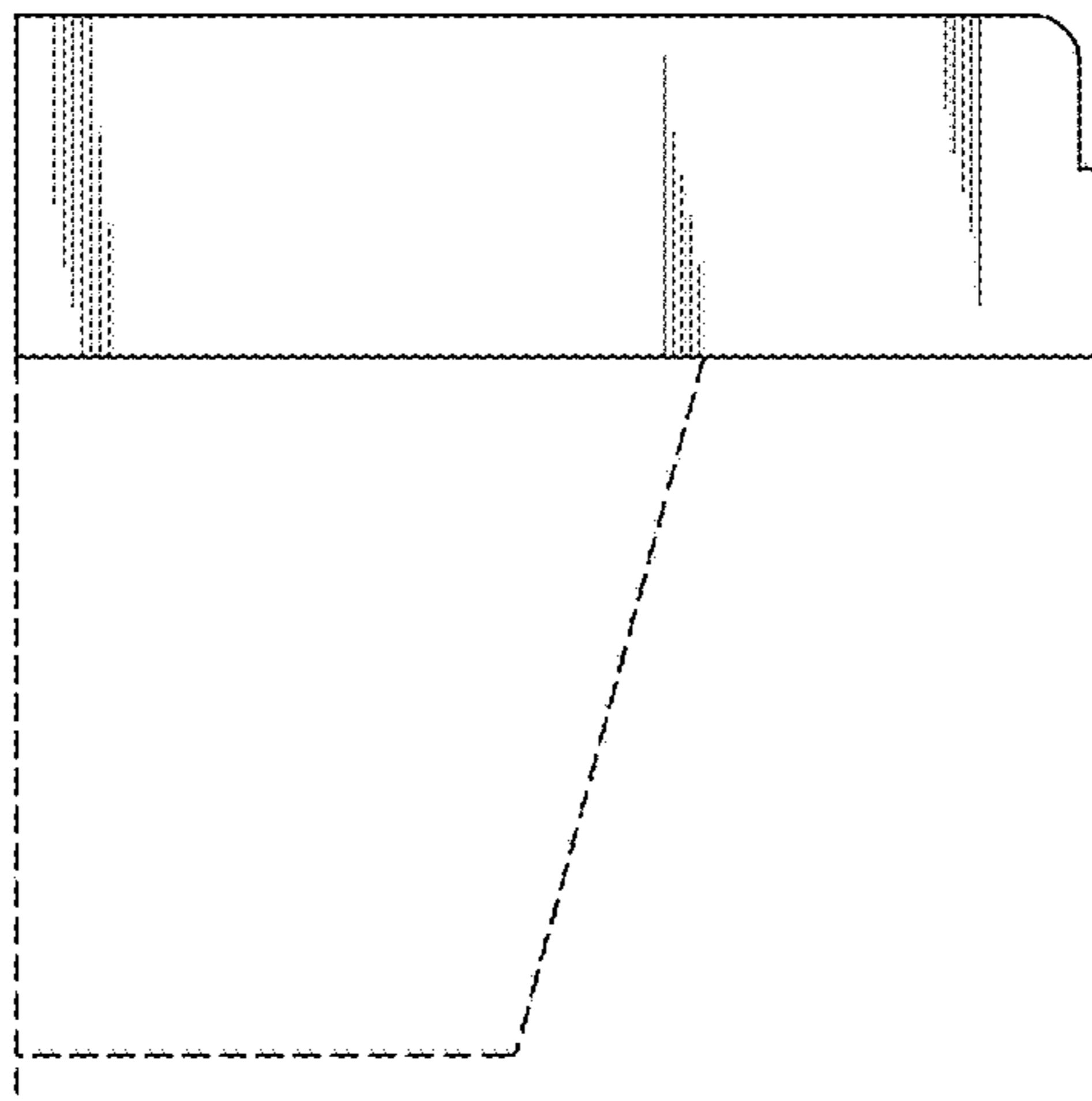


FIG. 5

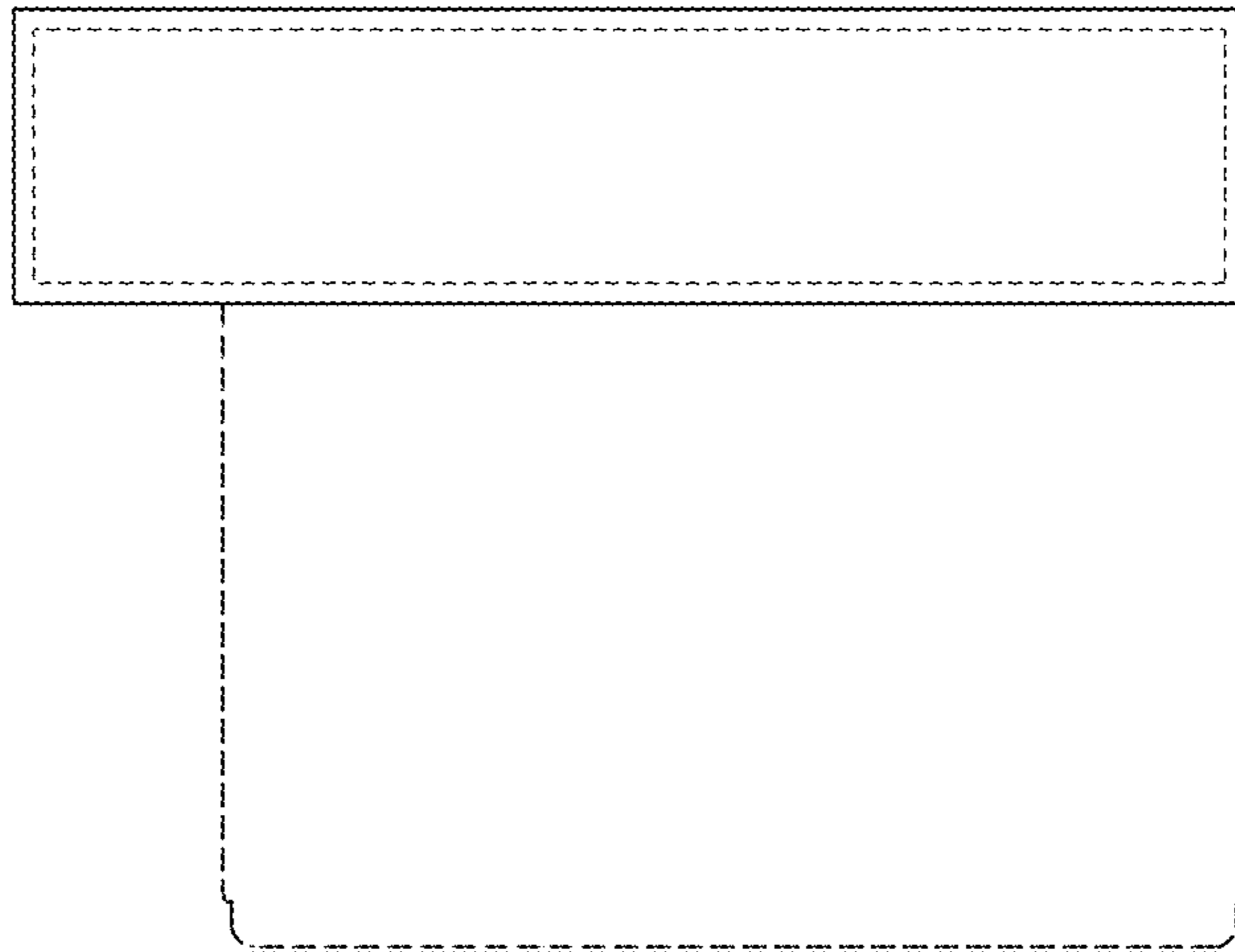


FIG. 6

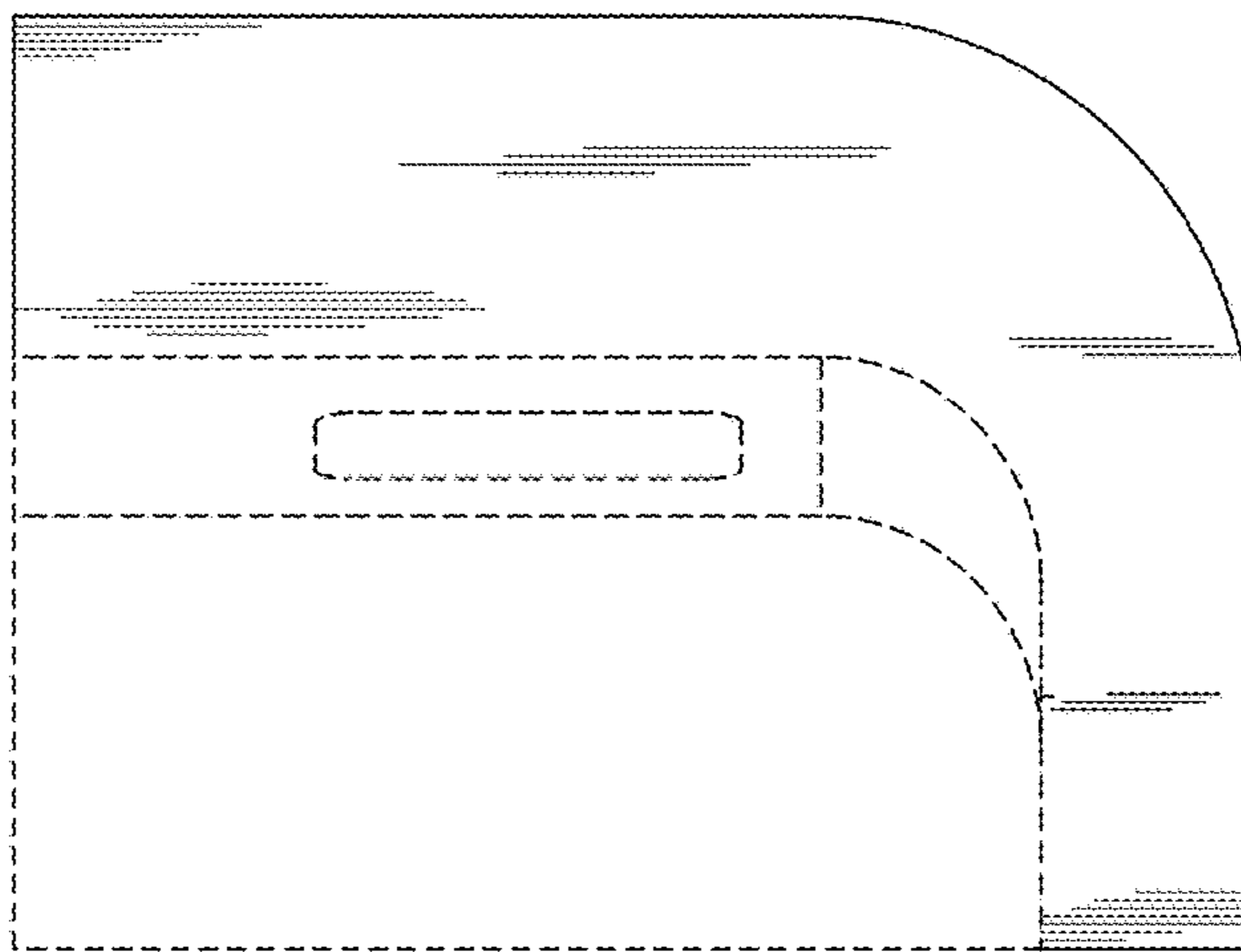


FIG. 7

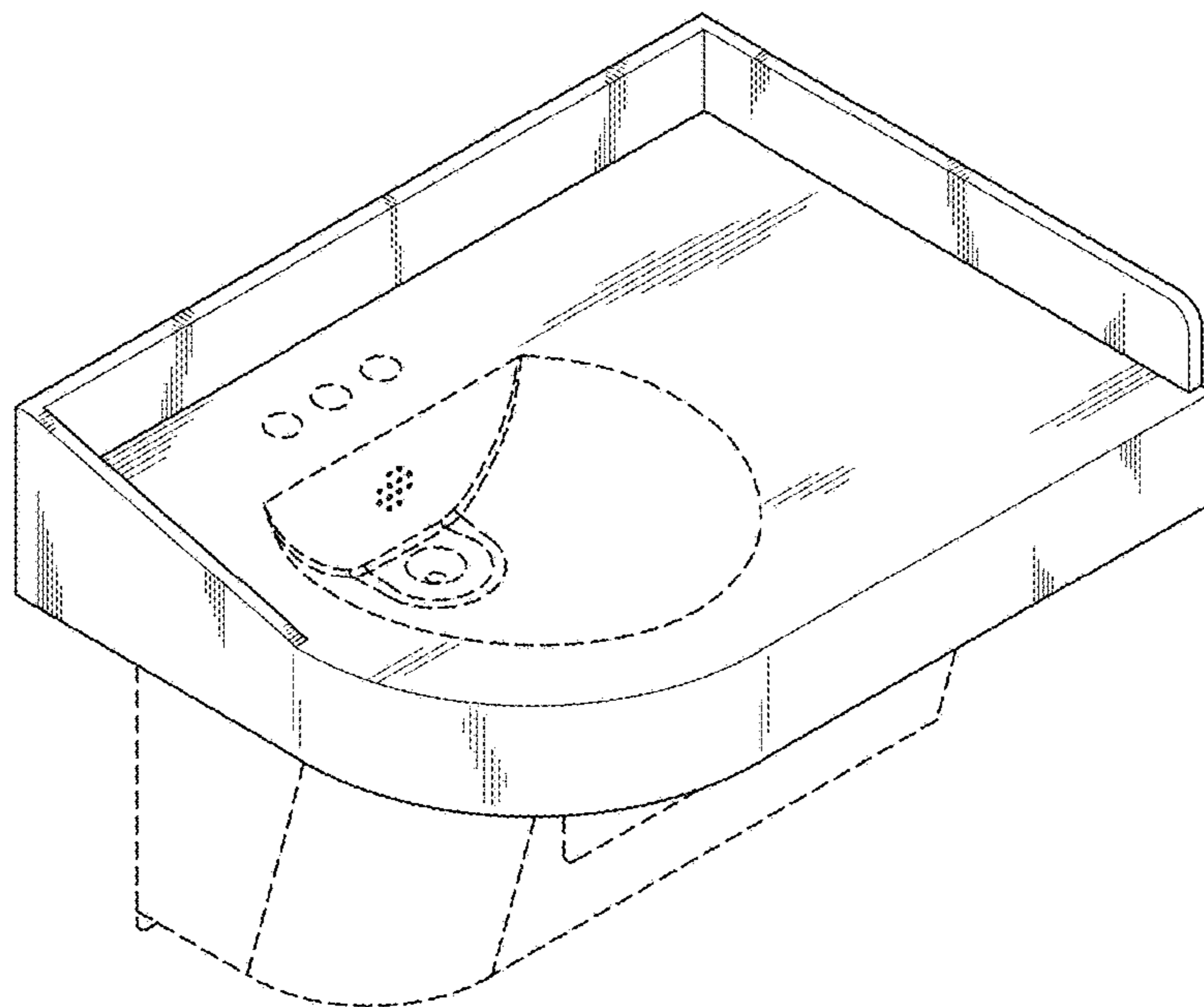


FIG. 8

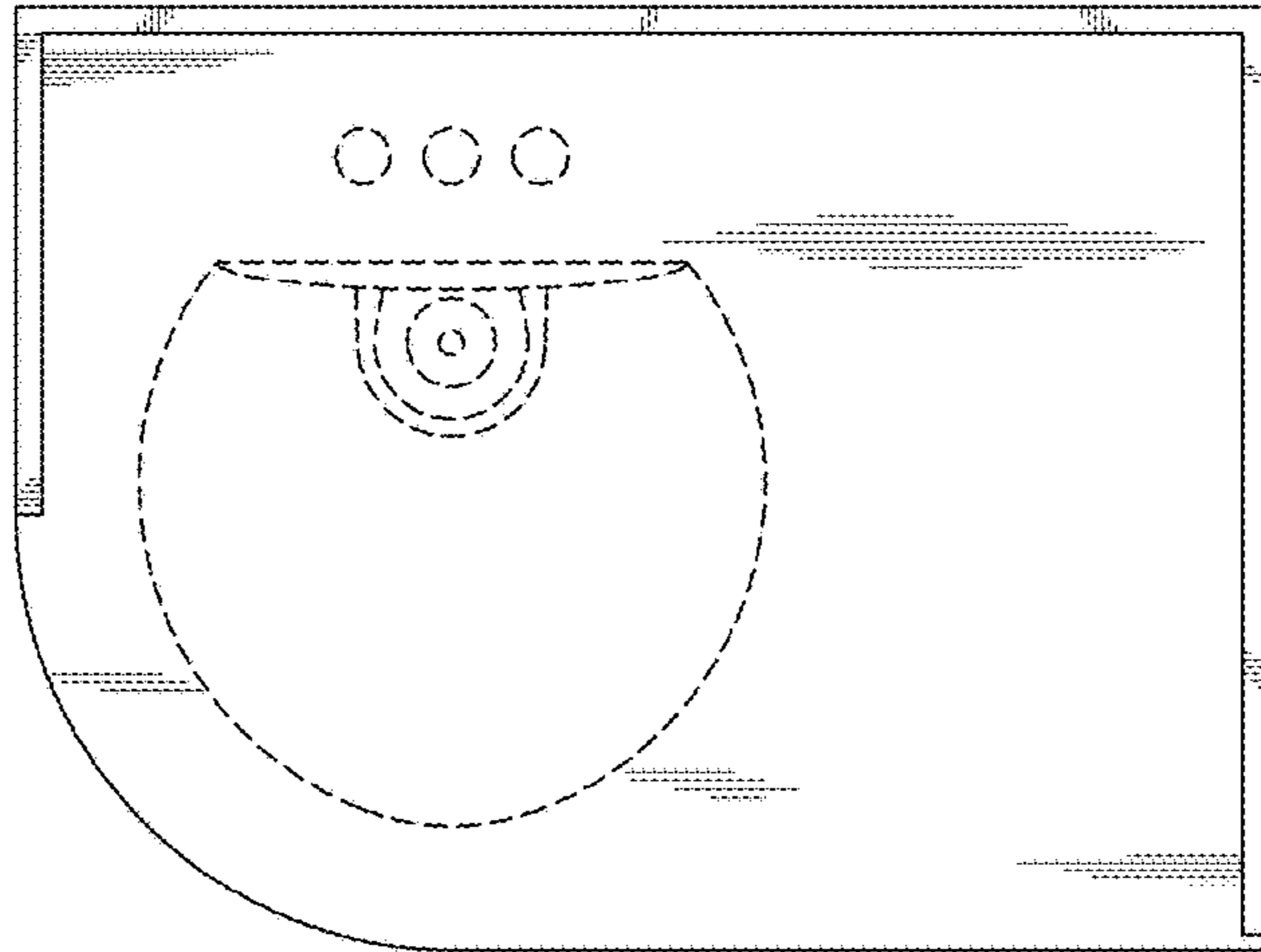


FIG. 9

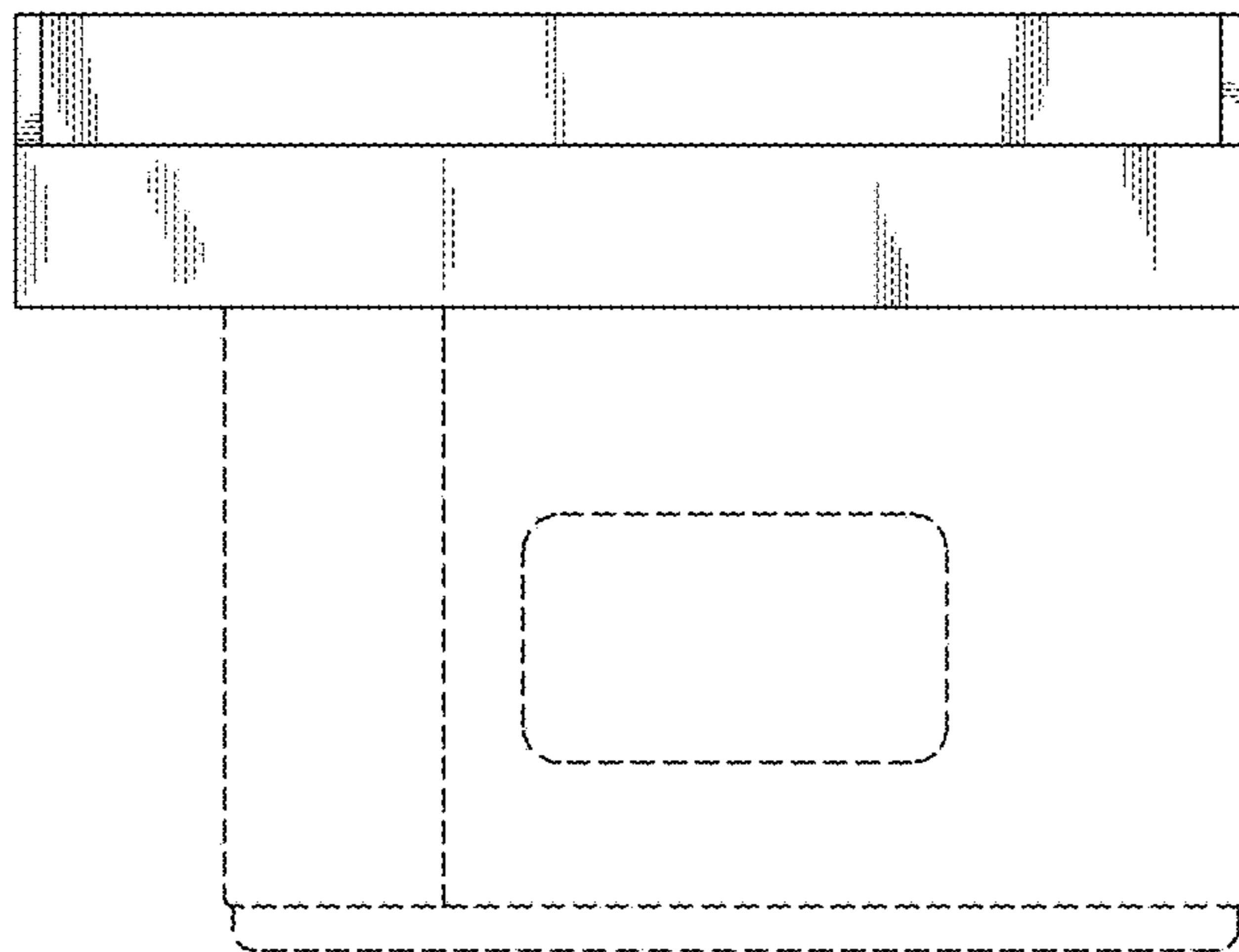


FIG. 10

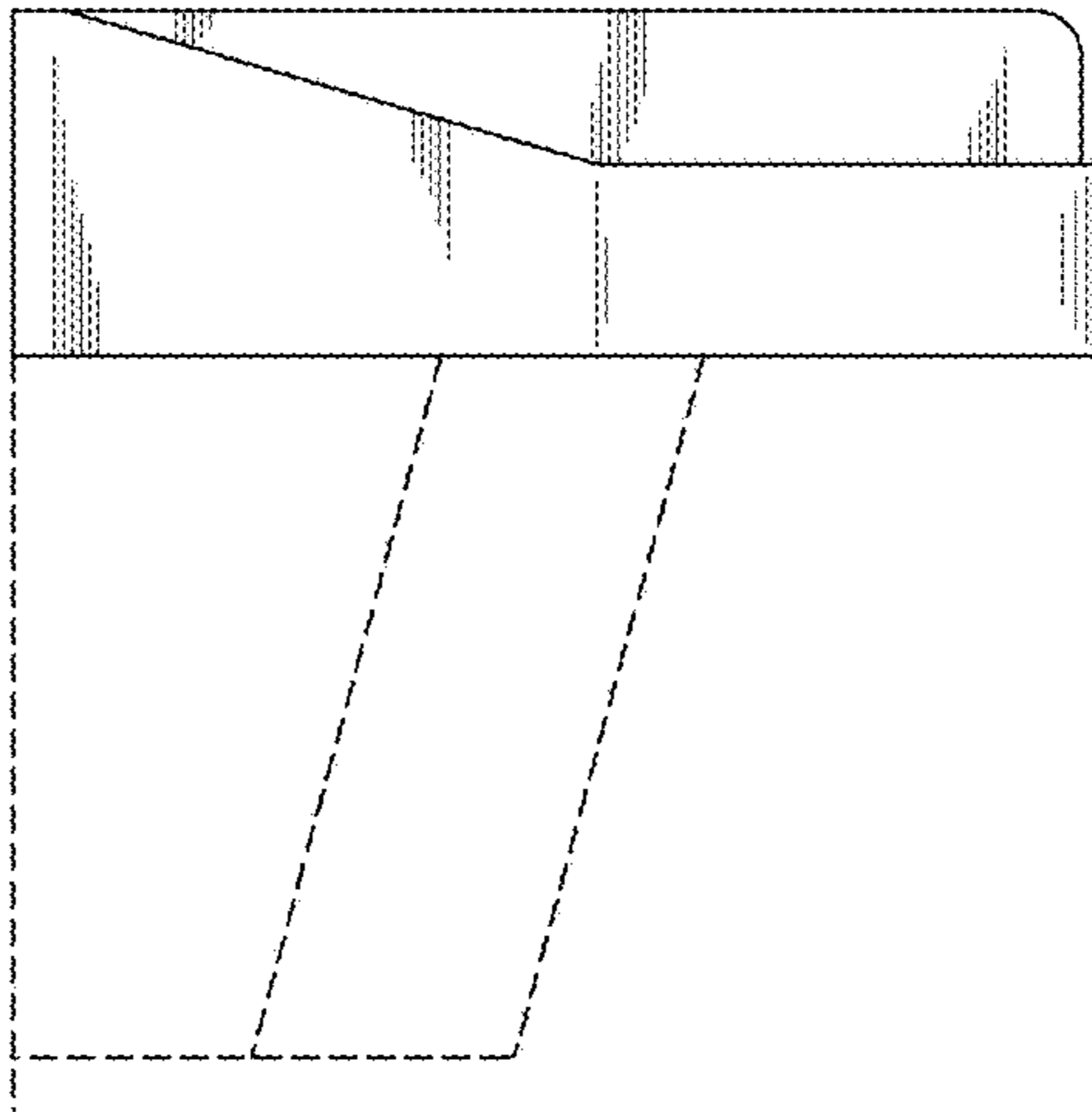


FIG. 11

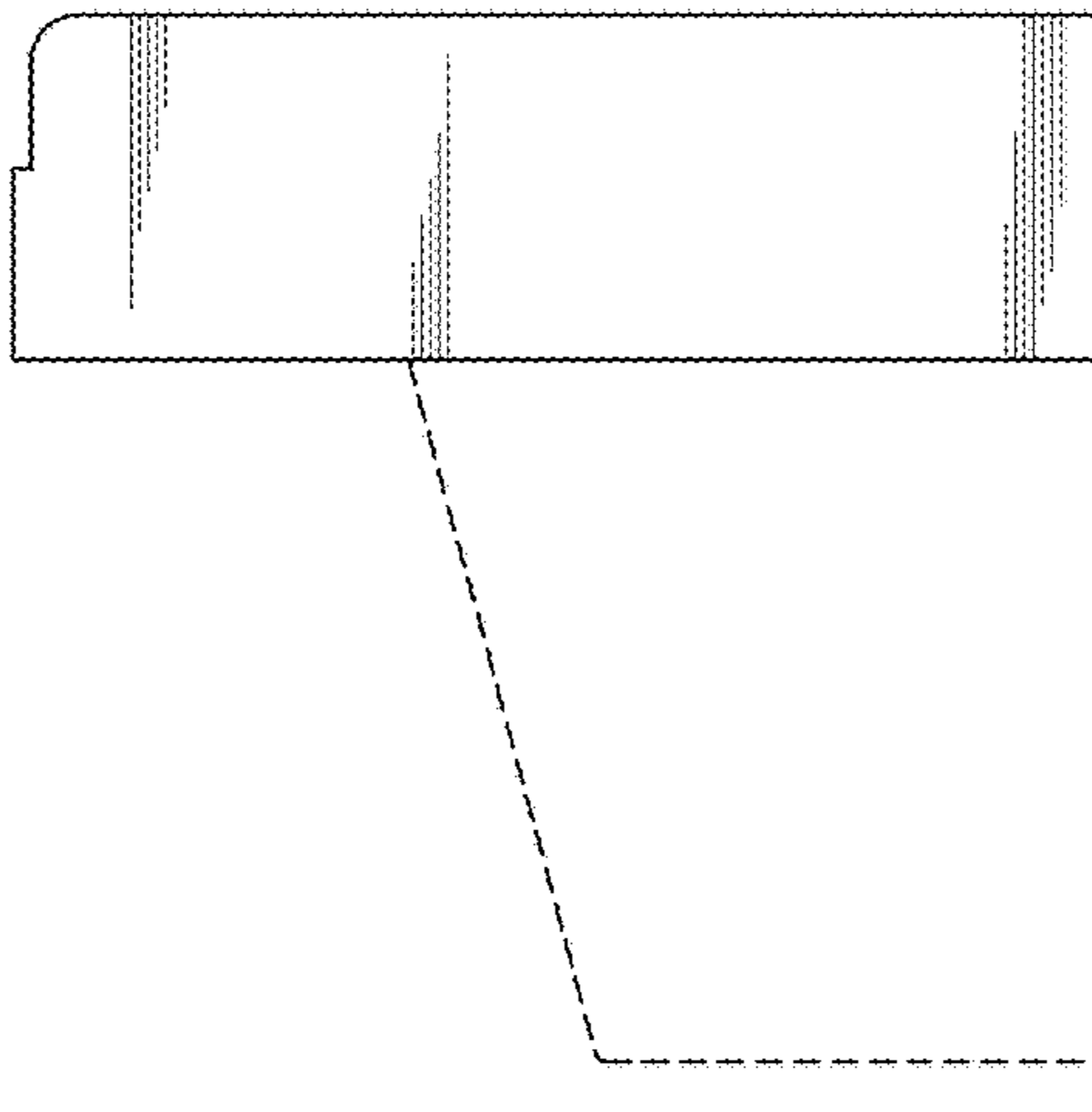


FIG. 12



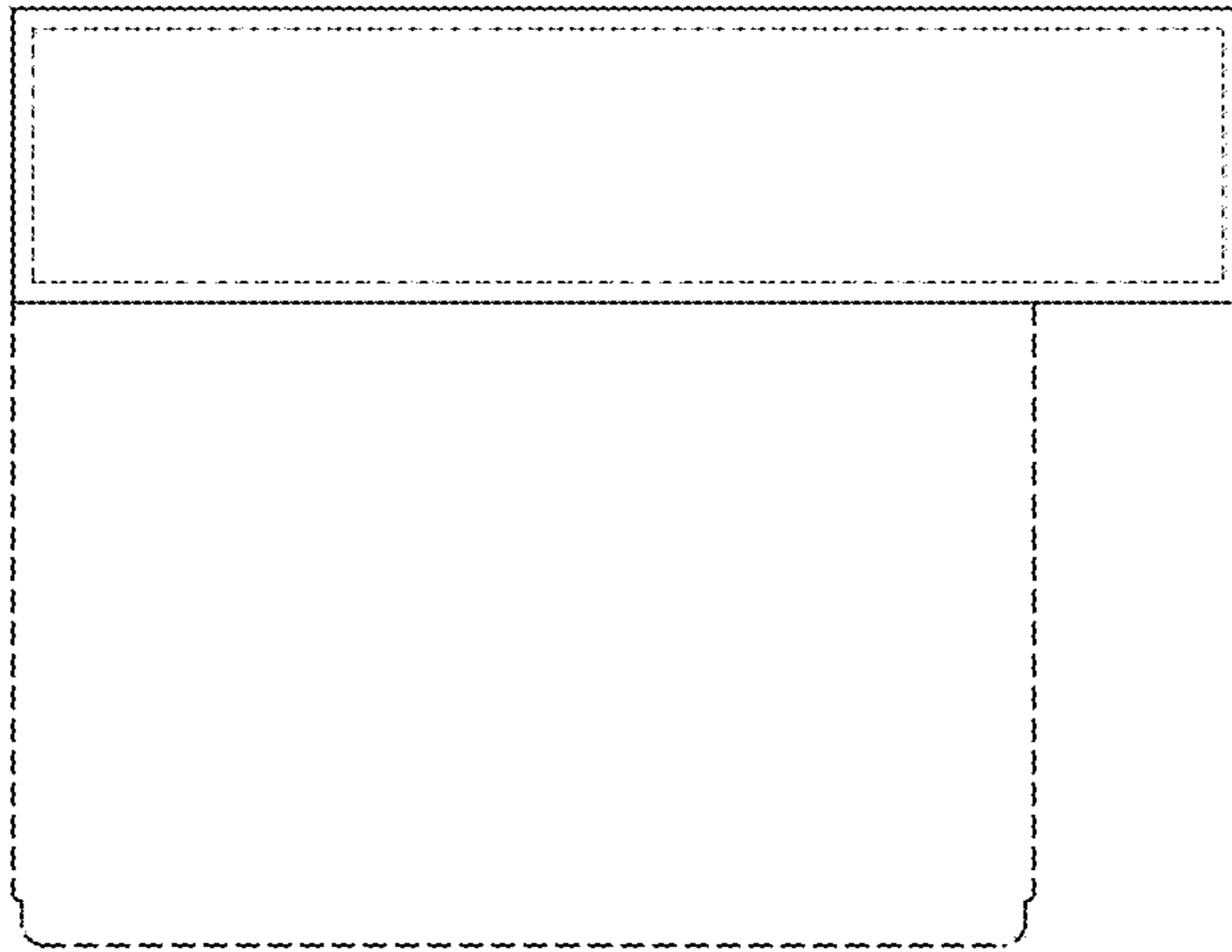


FIG. 13

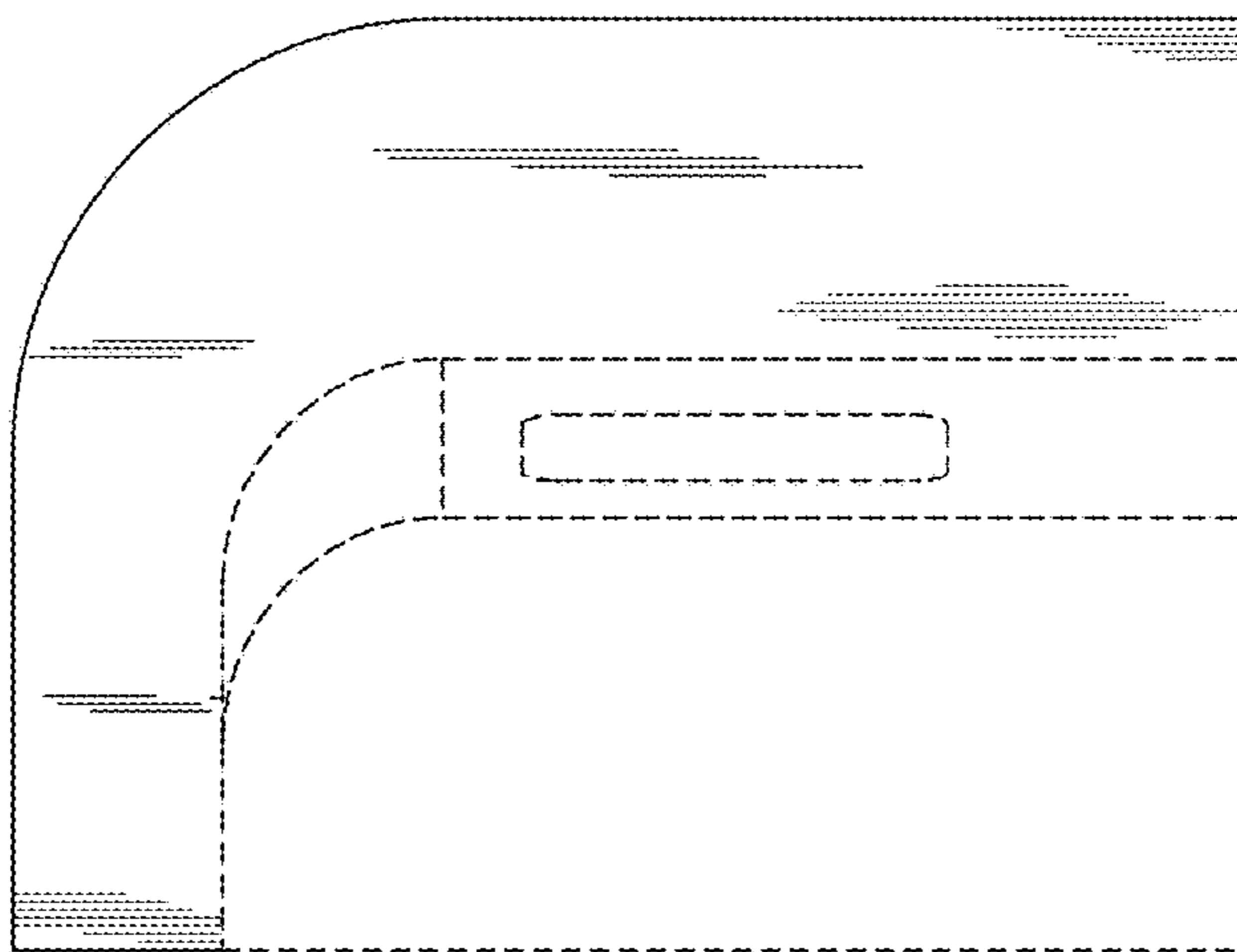


FIG. 14