



US00D840521S

(12) **United States Design Patent** (10) **Patent No.:** **US D840,521 S**  
**Kergoet** (45) **Date of Patent:** **\*\* Feb. 12, 2019**

- (54) **TOILET**
- (71) Applicant: **KOHLER CO.**, Kohler, WI (US)
- (72) Inventor: **Francois Kergoet**, Malakoff (FR)
- (73) Assignee: **KOHLER CO.**, Kohler, WI (US)
- (\*\*) Term: **15 Years**
- (21) Appl. No.: **29/625,289**
- (22) Filed: **Nov. 8, 2017**

**Related U.S. Application Data**

- (62) Division of application No. 29/576,678, filed on Sep. 6, 2016, now Pat. No. Des. 812,728.

(30) **Foreign Application Priority Data**

Mar. 9, 2016 (EM) ..... 003021922

- (51) **LOC (11) Cl.** ..... **23-02**

- (52) **U.S. Cl.**  
USPC ..... **D23/295**

- (58) **Field of Classification Search**  
USPC ..... D23/295-301, 303, 309, 313  
CPC ..... A47K 11/02; A47K 11/026; A47K 11/00;  
A47K 13/00; E03D 11/18; E03D 5/10;  
E03D 13/00

See application file for complete search history.

(56) **References Cited**

**U.S. PATENT DOCUMENTS**

- 723,973 A 3/1903 Alexander
- D337,376 S 7/1993 Ragonot
- D449,674 S 10/2001 Otte
- D455,477 S 4/2002 Soulier
- D508,984 S 8/2005 Gordon
- D536,428 S \* 2/2007 Kohler, Jr. .... D23/295
- D536,771 S 2/2007 Chenesseau

- D538,410 S 3/2007 Chensesseau
- D549,508 S 8/2007 Clark
- D557,392 S 12/2007 Mukai
- D594,944 S 6/2009 Starck
- D600,333 S 9/2009 Liu
- D600,335 S 9/2009 Cleppe
- D601,233 S 9/2009 Kergoet
- D624,997 S \* 10/2010 Schonherr ..... D23/301
- D637,702 S 5/2011 Rexach
- D659,811 S 5/2012 Licini
- D667,940 S 9/2012 Licini
- 8,296,870 B2 10/2012 Kannenglesser
- D694,378 S 11/2013 Bates
- D694,379 S 11/2013 Bates
- D695,384 S 12/2013 Bates
- D700,686 S 3/2014 Spangler
- D702,819 S \* 4/2014 Garland ..... D23/301

(Continued)

*Primary Examiner* — Brandon M Rosati

*Assistant Examiner* — John A Voytek

(74) *Attorney, Agent, or Firm* — Foley & Lardner LLP

(57) **CLAIM**

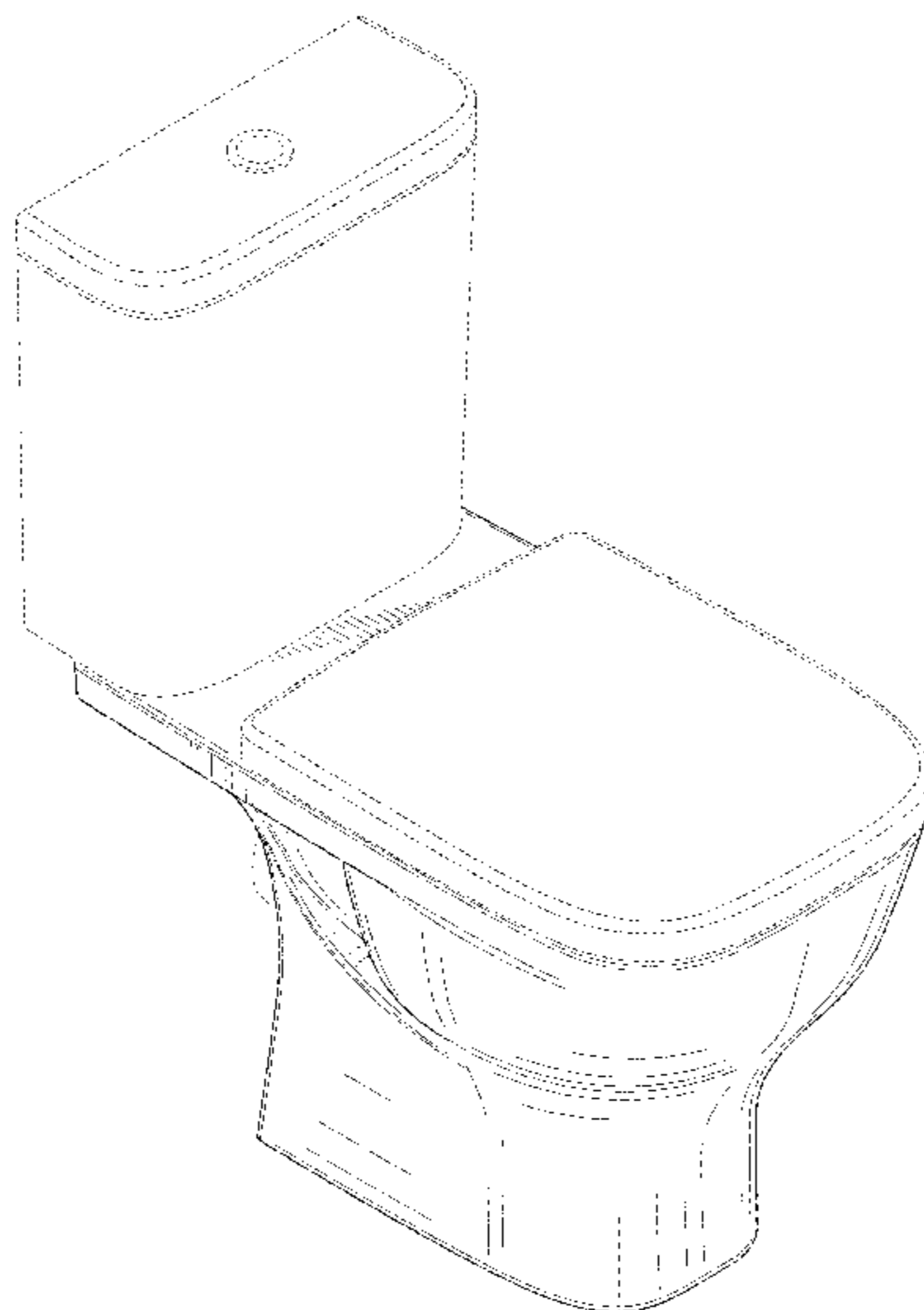
I claim the ornamental design for a toilet, as shown and described.

**DESCRIPTION**

FIG. 1 is a top, front, left perspective view of a toilet;  
 FIG. 2 is a right side elevation view thereof;  
 FIG. 3 is a left side elevation view thereof;  
 FIG. 4 is a front elevation view thereof;  
 FIG. 5 is a rear elevation view thereof;  
 FIG. 6 is a top plan view thereof; and,  
 FIG. 7 is a bottom plan view thereof.

The ornamental design which is claimed is shown in solid lines in the drawings. In the drawings, the broken lines depict environmental subject matter only and form no part of the claimed design. The dot and dashed lines indicate a boundary between the claimed and unclaimed portions of the design.

**1 Claim, 7 Drawing Sheets**



(56)

**References Cited**

U.S. PATENT DOCUMENTS

D770,020 S	10/2016	Lilly
D799,011 S	10/2017	Stevenson
D809,636 S	2/2018	Dong
D811,563 S	2/2018	L'Henaff
2008/0201835 A1	8/2008	Ueno

\* cited by examiner

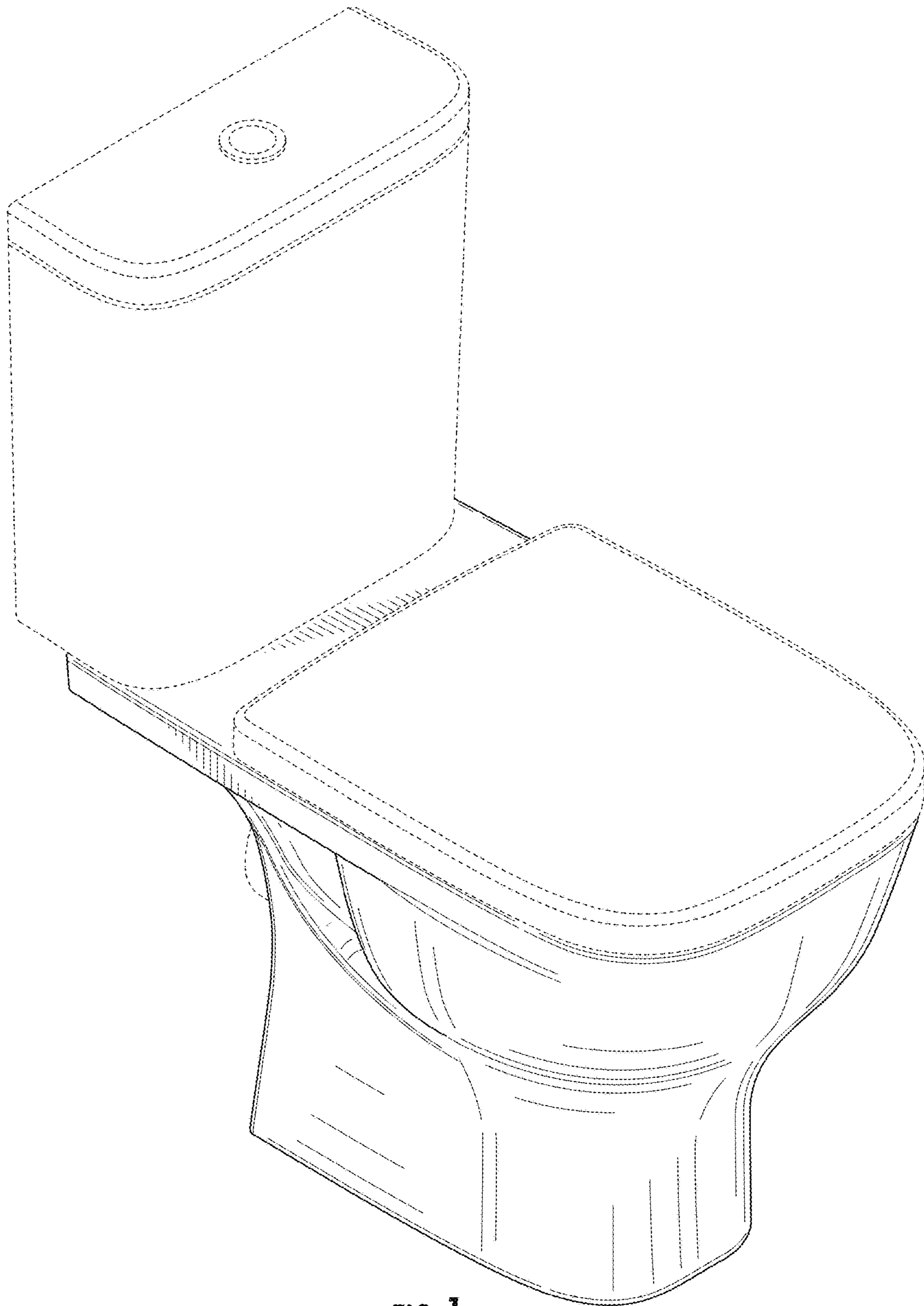


FIG. 1

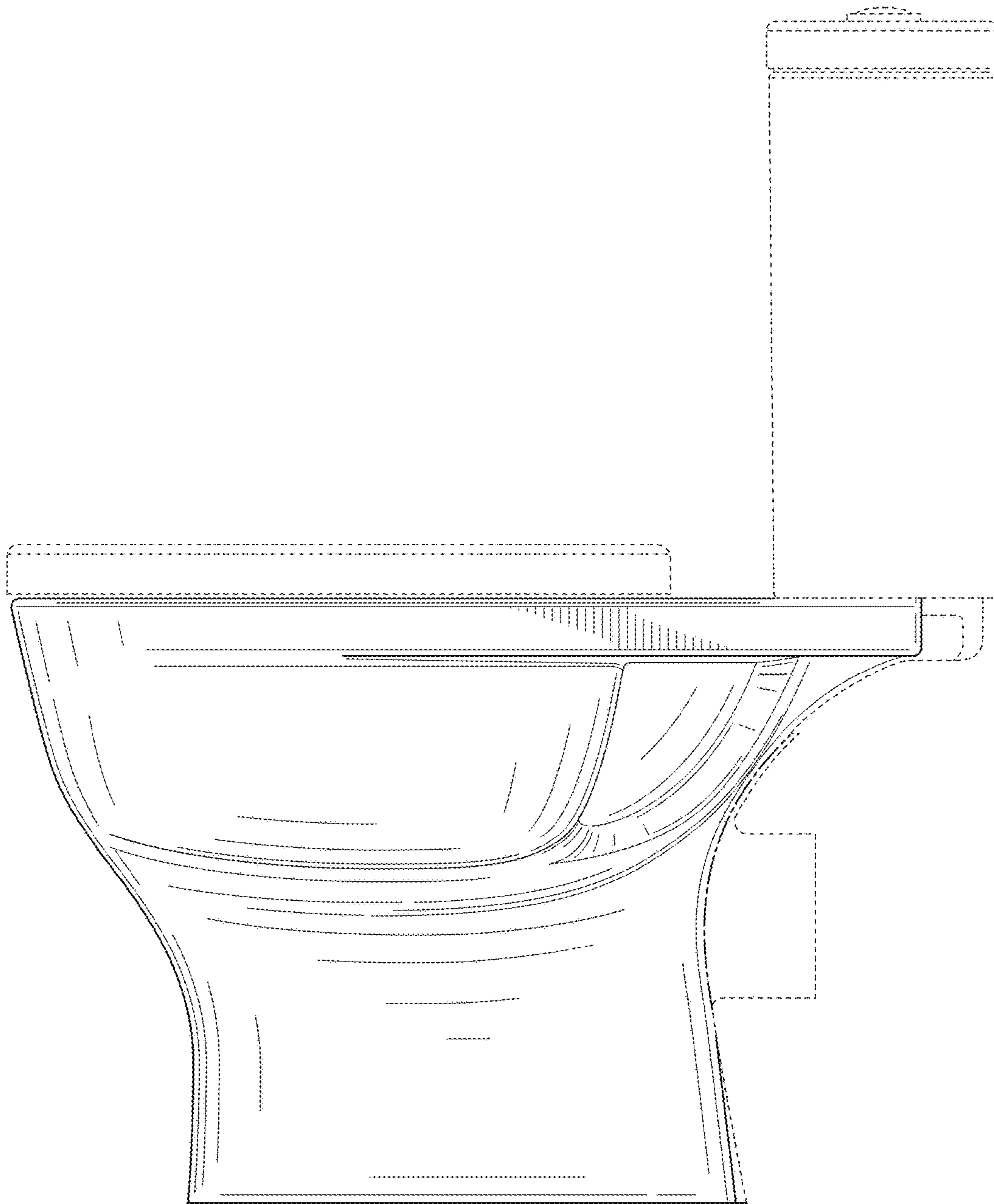


FIG. 2

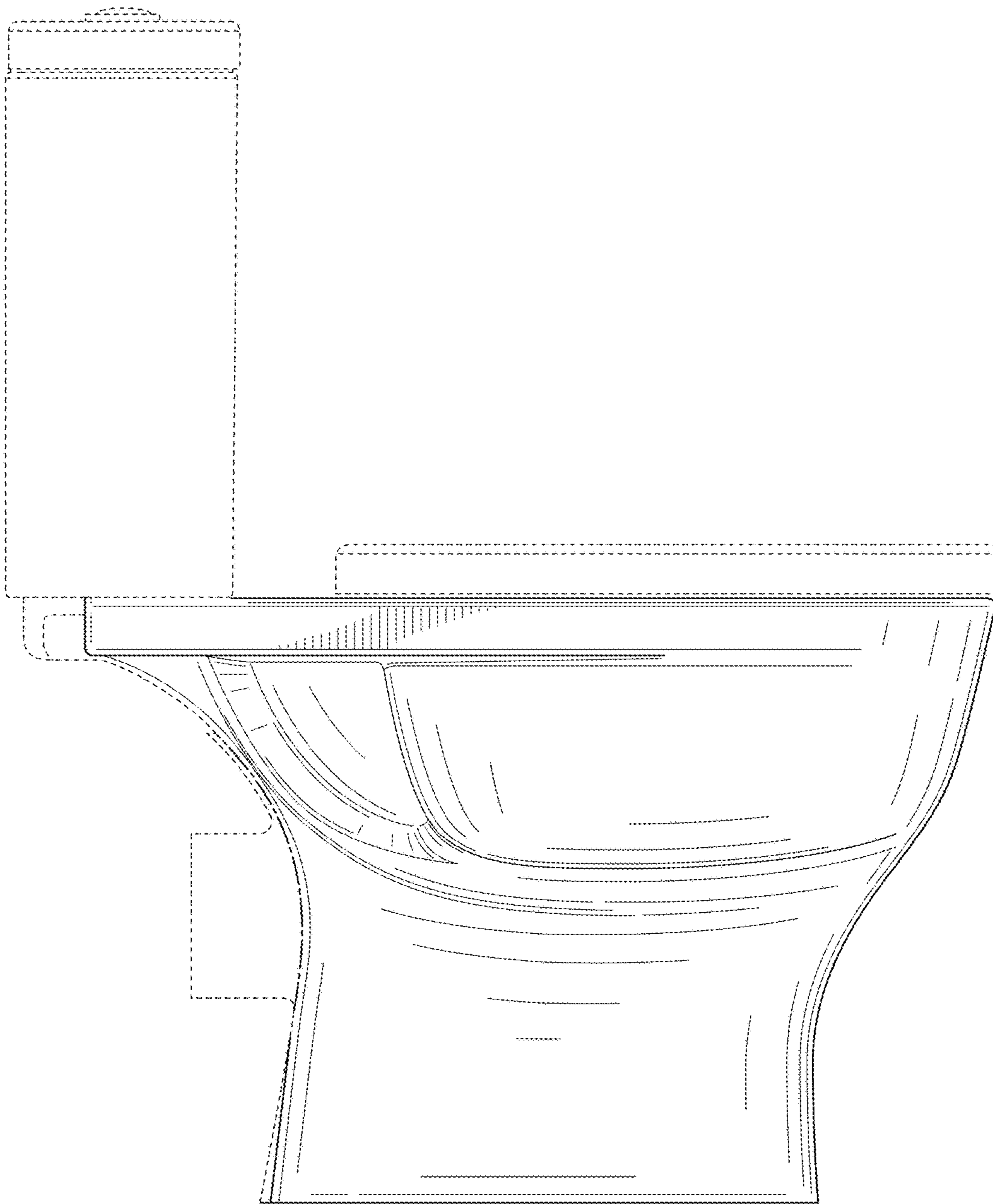


FIG. 3

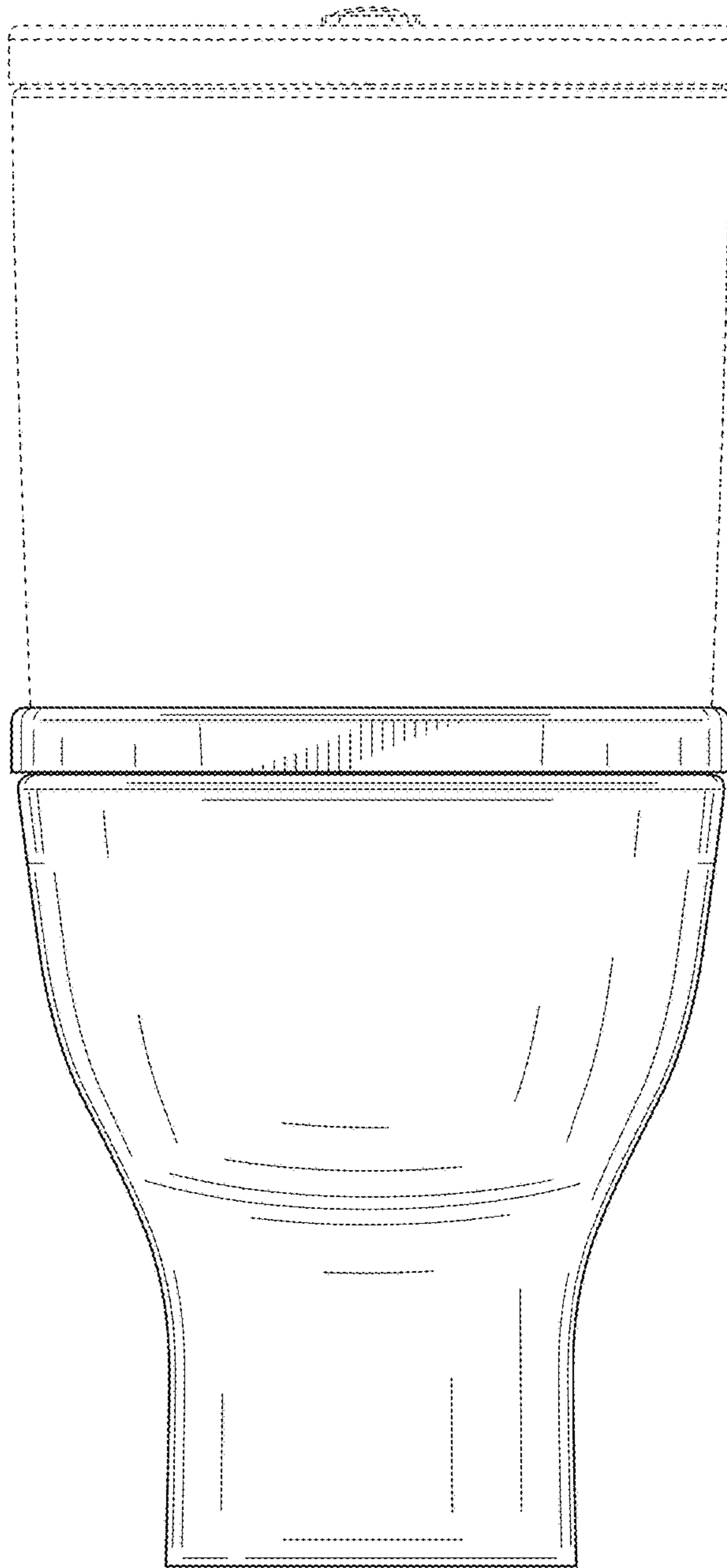


FIG. 4

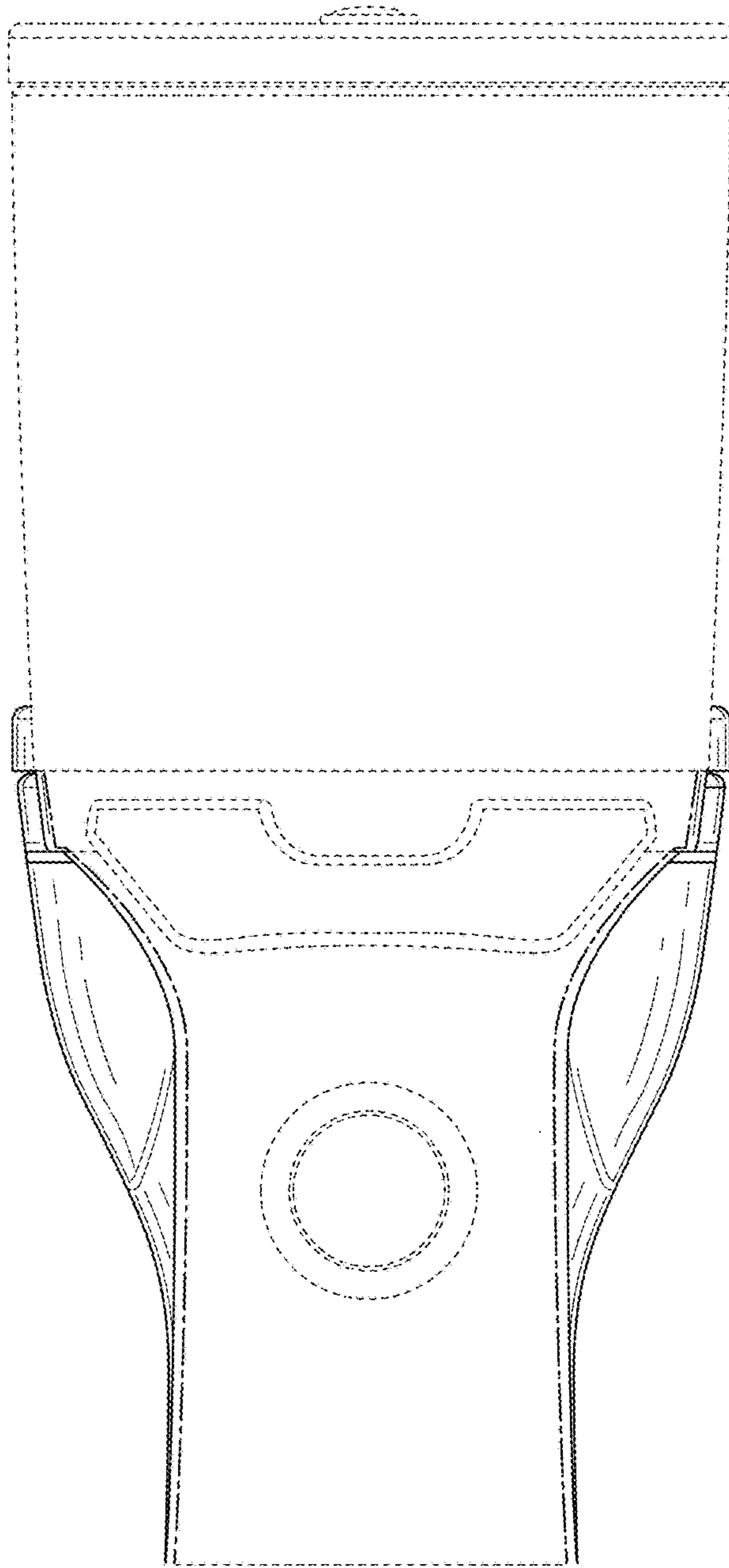
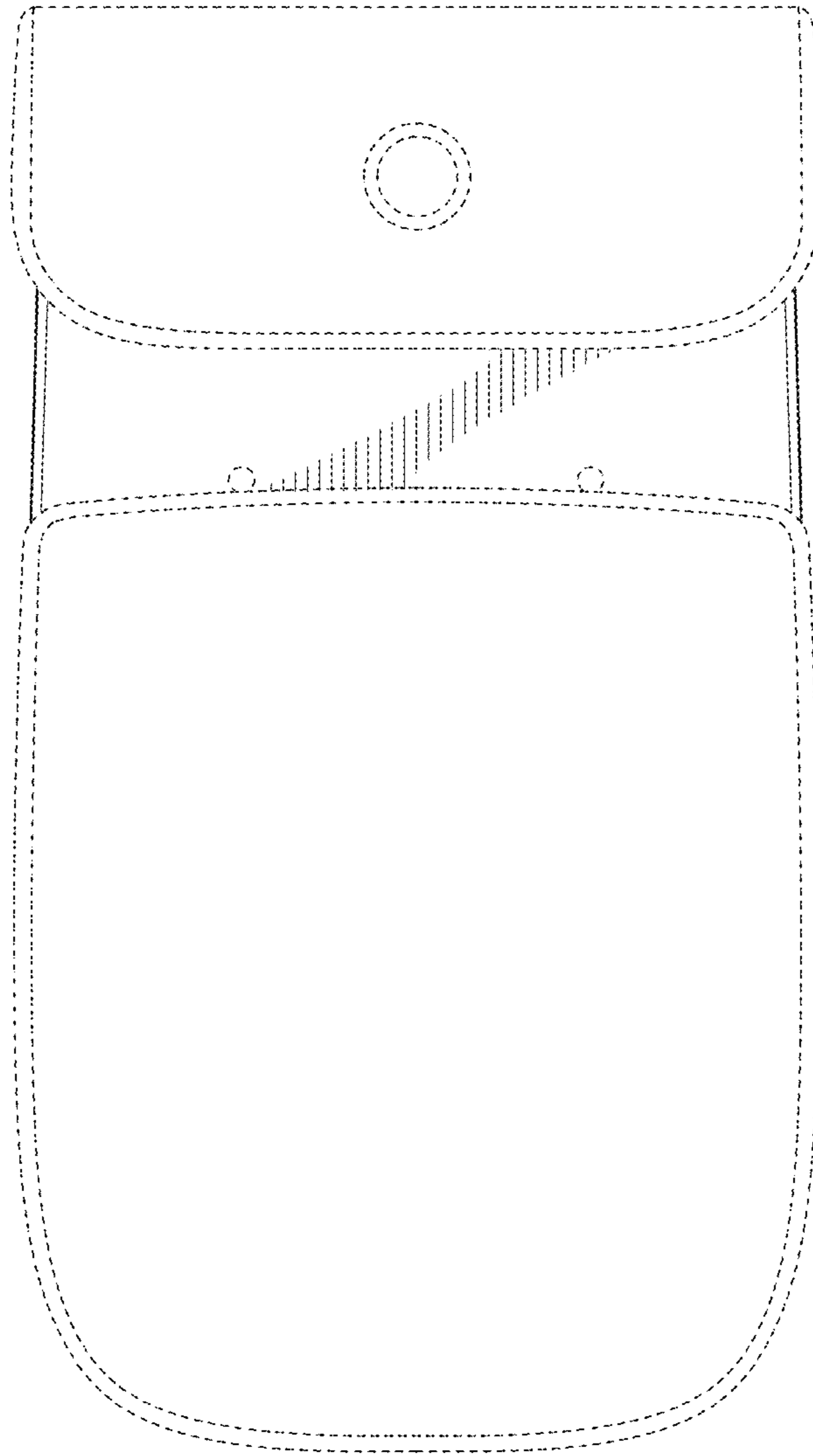


FIG. 5



**FIG. 6**



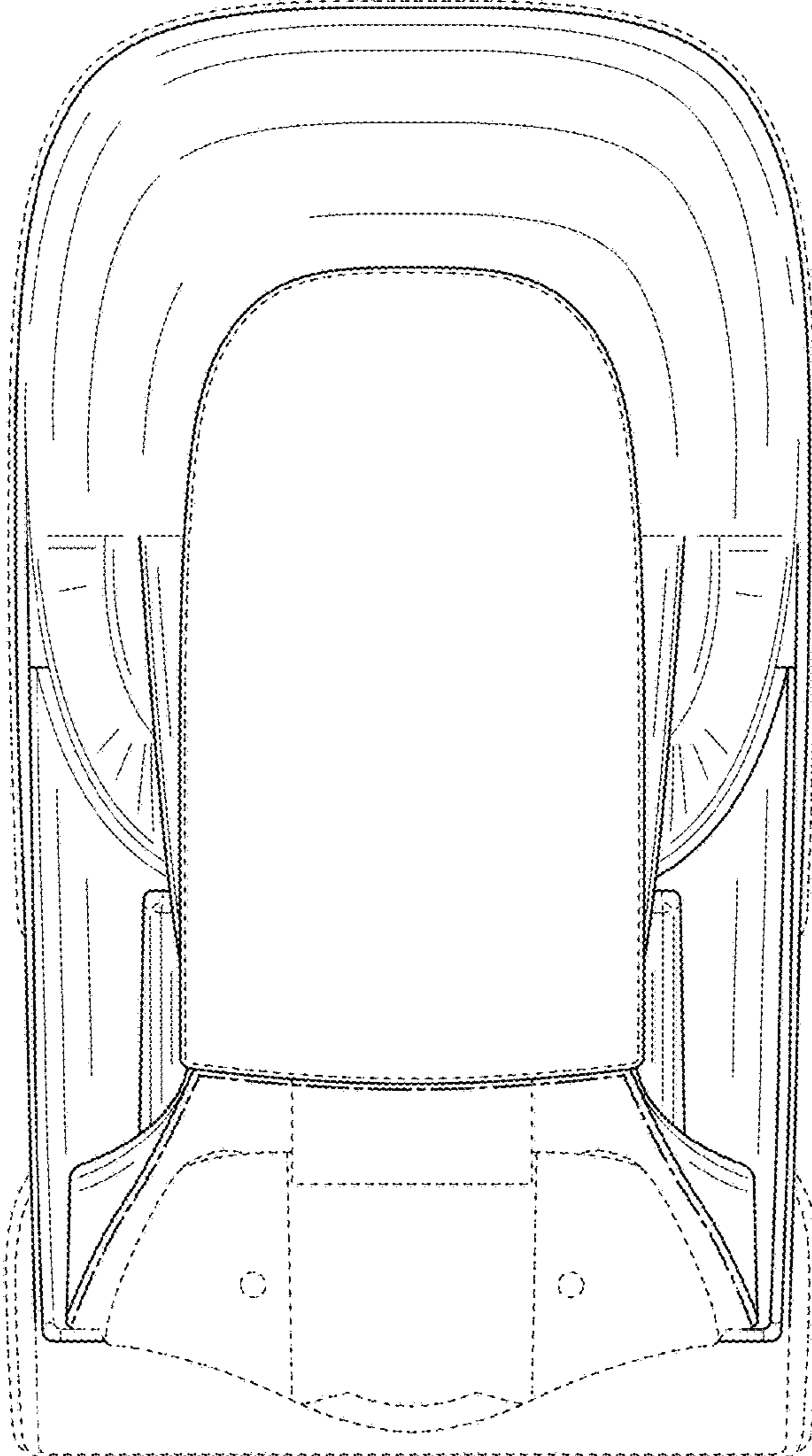


FIG. 7