



US00D840520S

(12) **United States Design Patent**  
**Harding**

(10) **Patent No.:** **US D840,520 S**

(45) **Date of Patent:** **\*\* Feb. 12, 2019**

(54) **CAMPING TUB AND SINK ASSEMBLY**

8,117,689 B2 \* 2/2012 Slayton ..... A47K 1/02  
4/516

(71) Applicant: **Kenneth Harding**, Goodyear, AZ (US)

D674,473 S \* 1/2013 Euse ..... D23/286  
9,066,631 B2 \* 6/2015 Didehvar ..... A47K 1/02

(72) Inventor: **Kenneth Harding**, Goodyear, AZ (US)

\* cited by examiner

(\*\*) Term: **15 Years**

*Primary Examiner* — Robert A Delehanty

(21) Appl. No.: **29/612,594**

(74) *Attorney, Agent, or Firm* — Global Intellectual  
Property Agency, LLC; Daniel Boudwin

(22) Filed: **Aug. 2, 2017**

(51) **LOC (11) Cl.** ..... **23-02**

(52) **U.S. Cl.**  
USPC ..... **D23/286**

(58) **Field of Classification Search**  
USPC ..... D23/284, 293.1, 303, 308, 285  
CPC . E03C 1/18; E03C 1/186; E03C 1/182; A47K  
1/00; A47K 1/02

See application file for complete search history.

(57) **CLAIM**

The ornamental design for a camping tub and sink assembly,  
as shown and described.

**DESCRIPTION**

FIG. 1 shows a perspective view of the camping tub and sink  
assembly.

FIG. 2 shows a front view of the camping tub and sink  
assembly.

FIG. 3 shows a rear view of the camping tub and sink  
assembly.

FIG. 4 shows a side view of the camping tub and sink  
assembly.

FIG. 5 shows an opposing side view of the camping tub and  
sink assembly.

FIG. 6 shows an overhead view of the camping tub and sink  
assembly; and,

FIG. 7 shows an underside view of the camping tub and sink  
assembly.

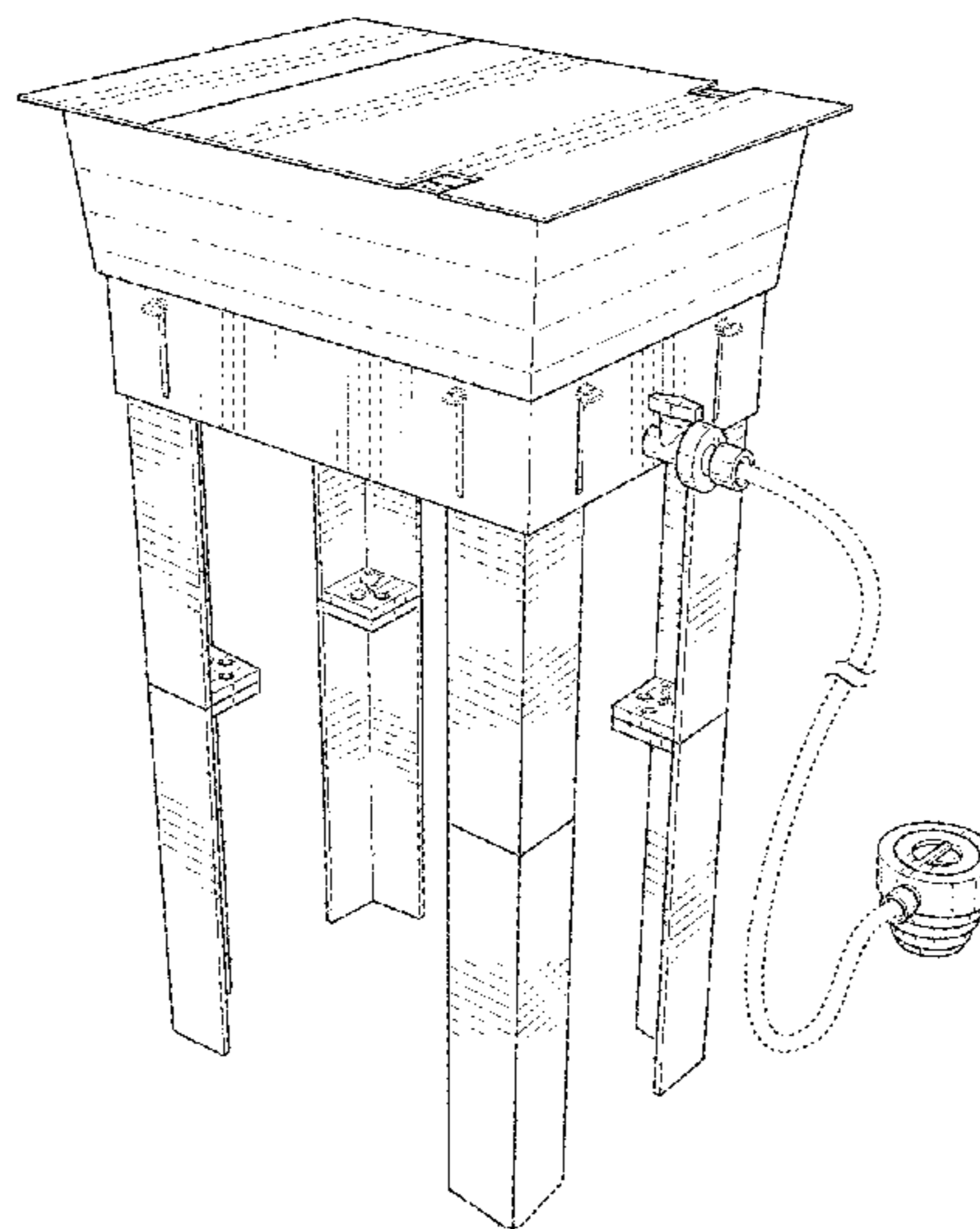
The broken lines shown in the drawing views represent  
unclaimed portions of the sink assembly and form no part of  
the claimed design.

(56) **References Cited**

U.S. PATENT DOCUMENTS

2,663,392	A	12/1953	Miller	
3,871,399	A	3/1975	Watson	
4,766,621	A *	8/1988	Rasor	..... E04H 15/001 114/343
5,313,676	A *	5/1994	Wright	..... A47K 1/02 4/631
5,667,256	A	9/1997	Caine	
5,715,547	A *	2/1998	Becker	..... D06F 1/02 4/619
5,881,404	A	3/1999	Knight	
6,427,259	B1	8/2002	Cawthon	
D583,445	S *	12/2008	Lee	..... D23/284
D603,026	S *	10/2009	DeBoer	..... D23/286
7,954,183	B2 *	6/2011	Cawthon	..... E03C 1/18 4/643

**1 Claim, 7 Drawing Sheets**



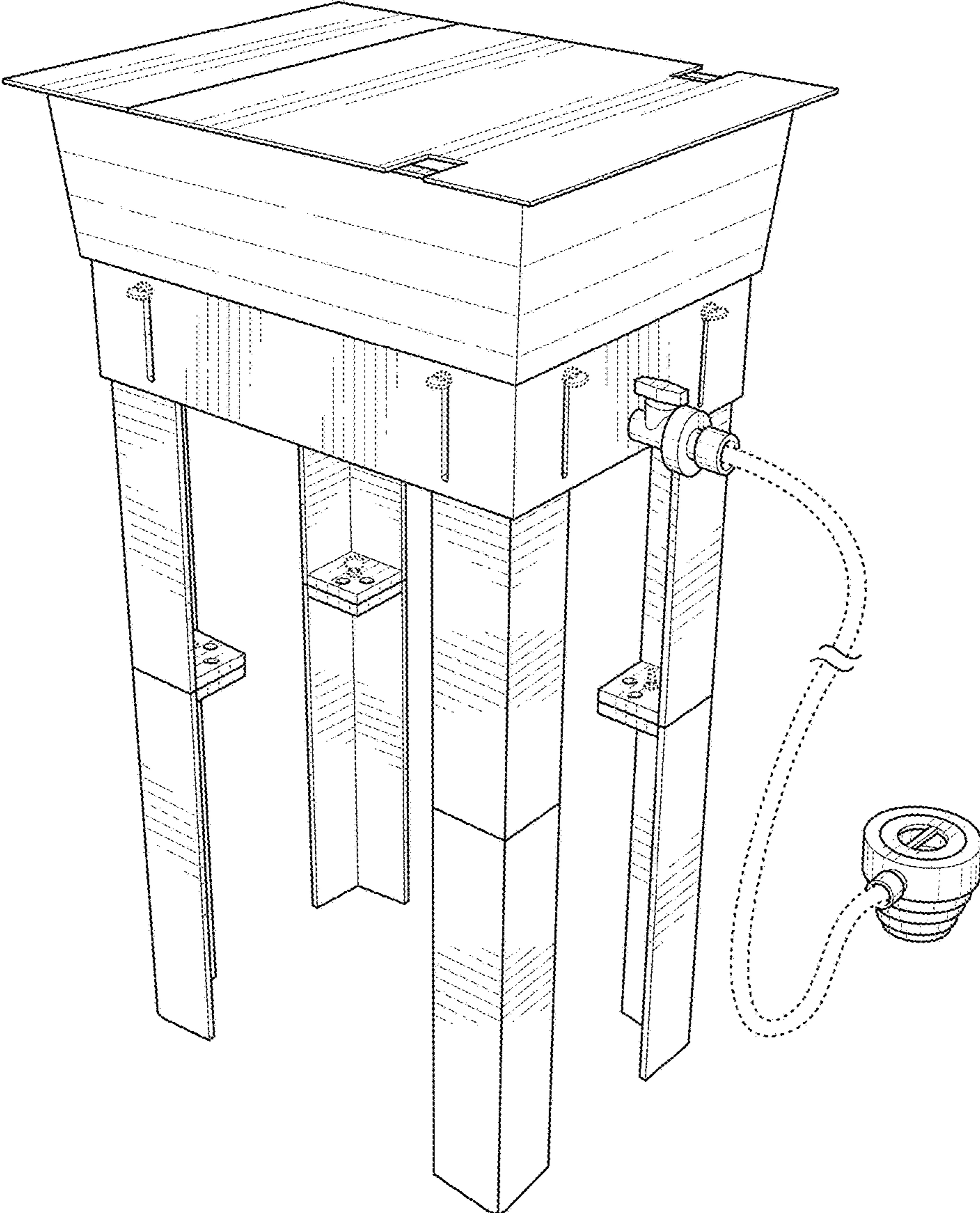


FIG. 1

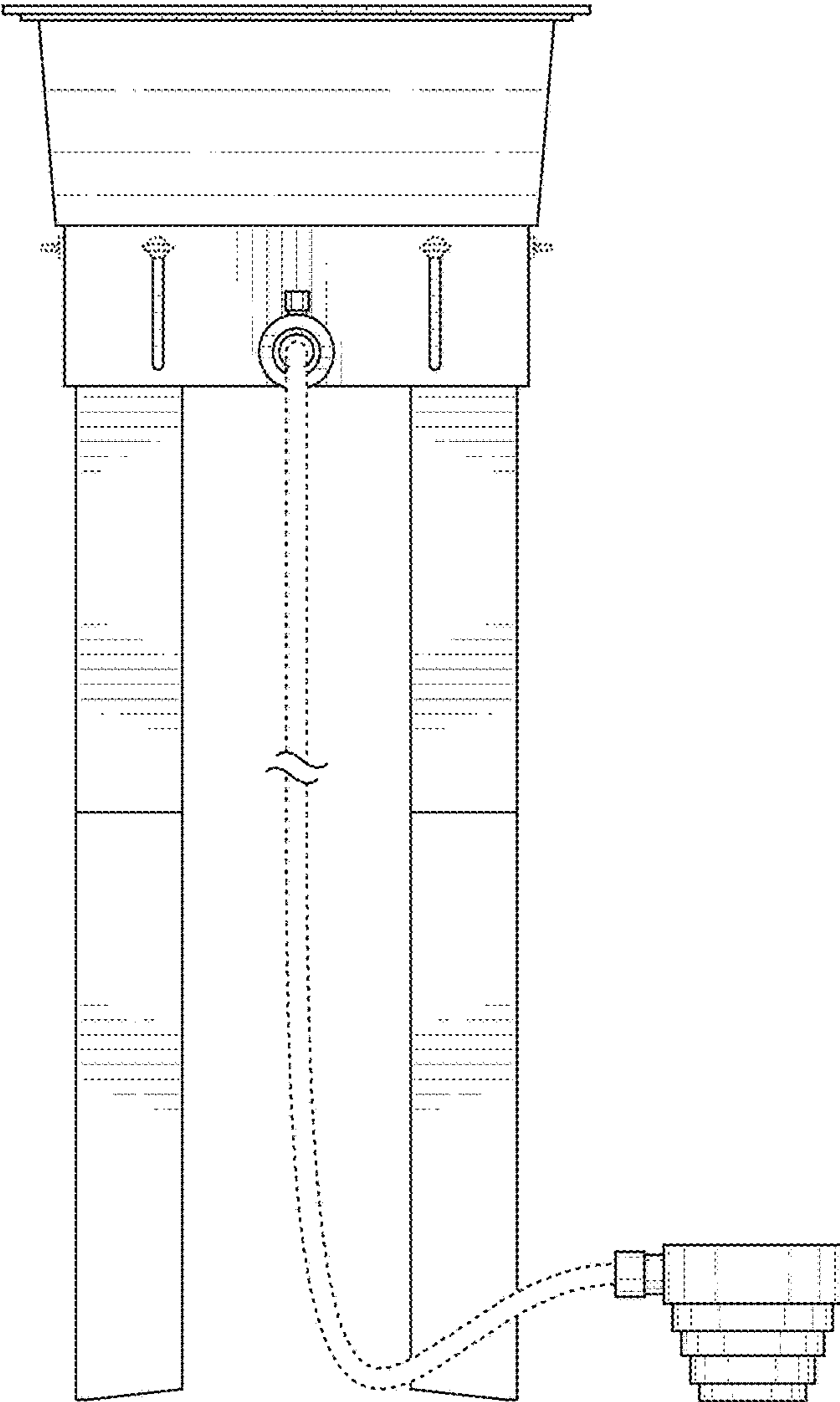


FIG. 2

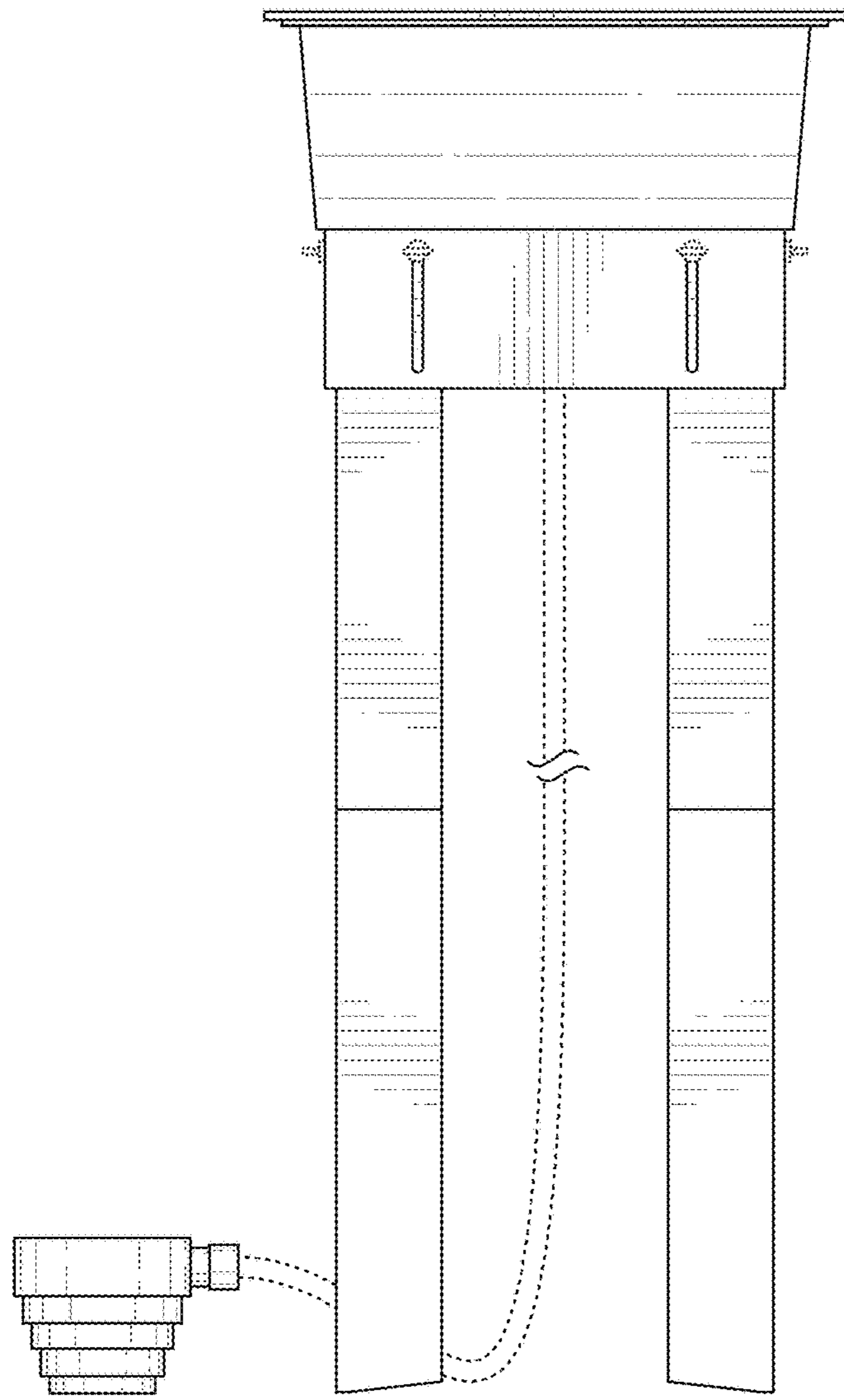


FIG. 3

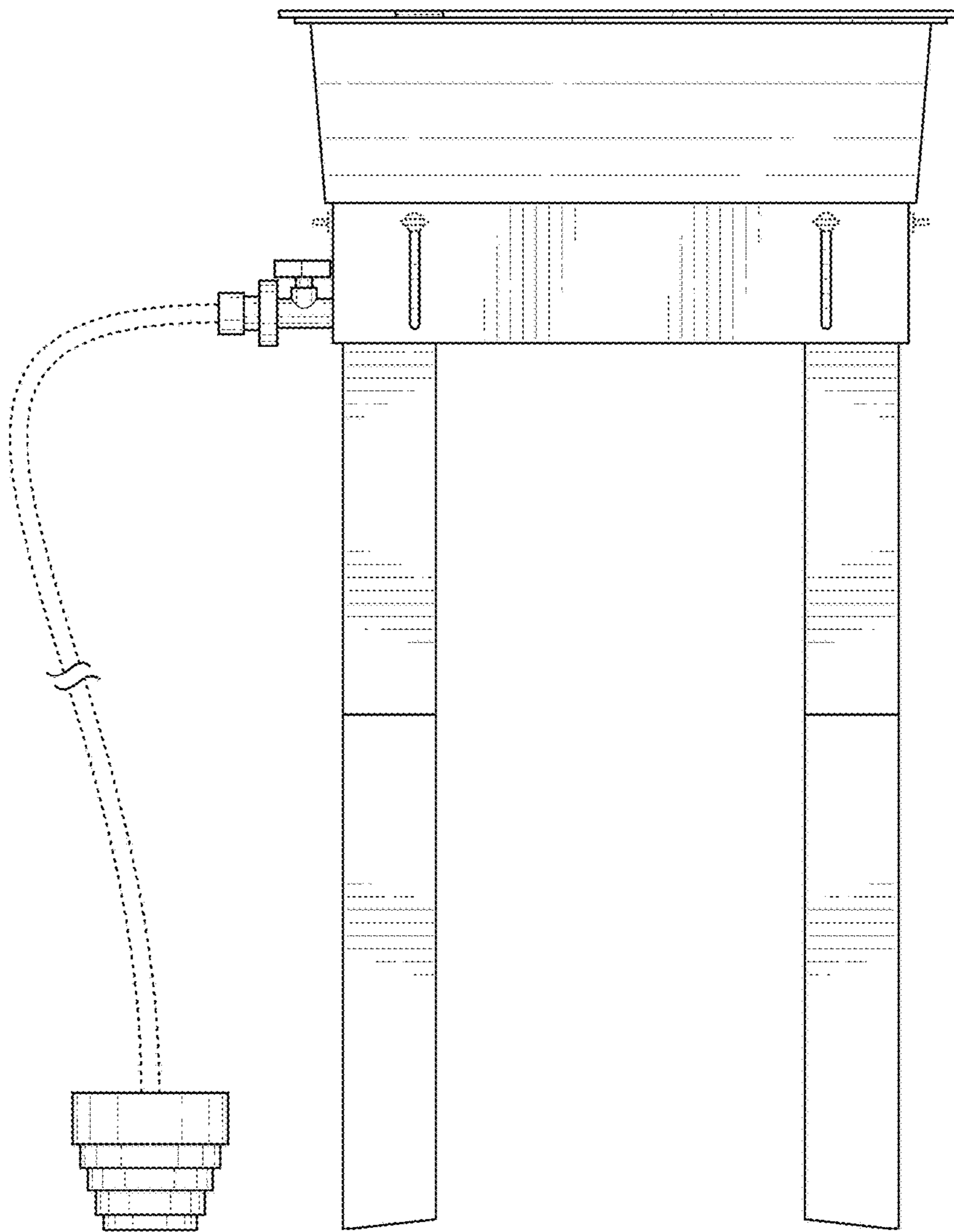


FIG. 4

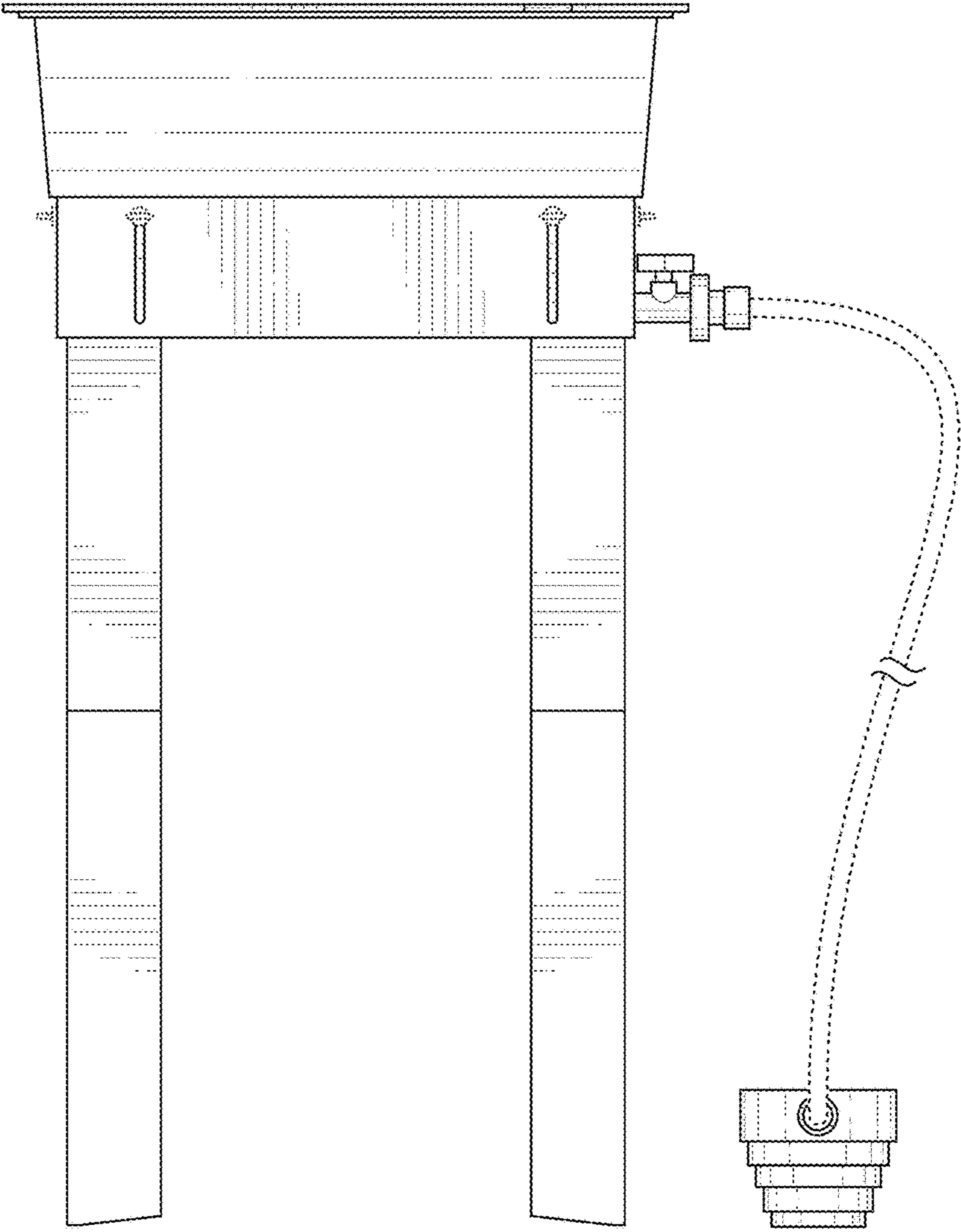


FIG. 5

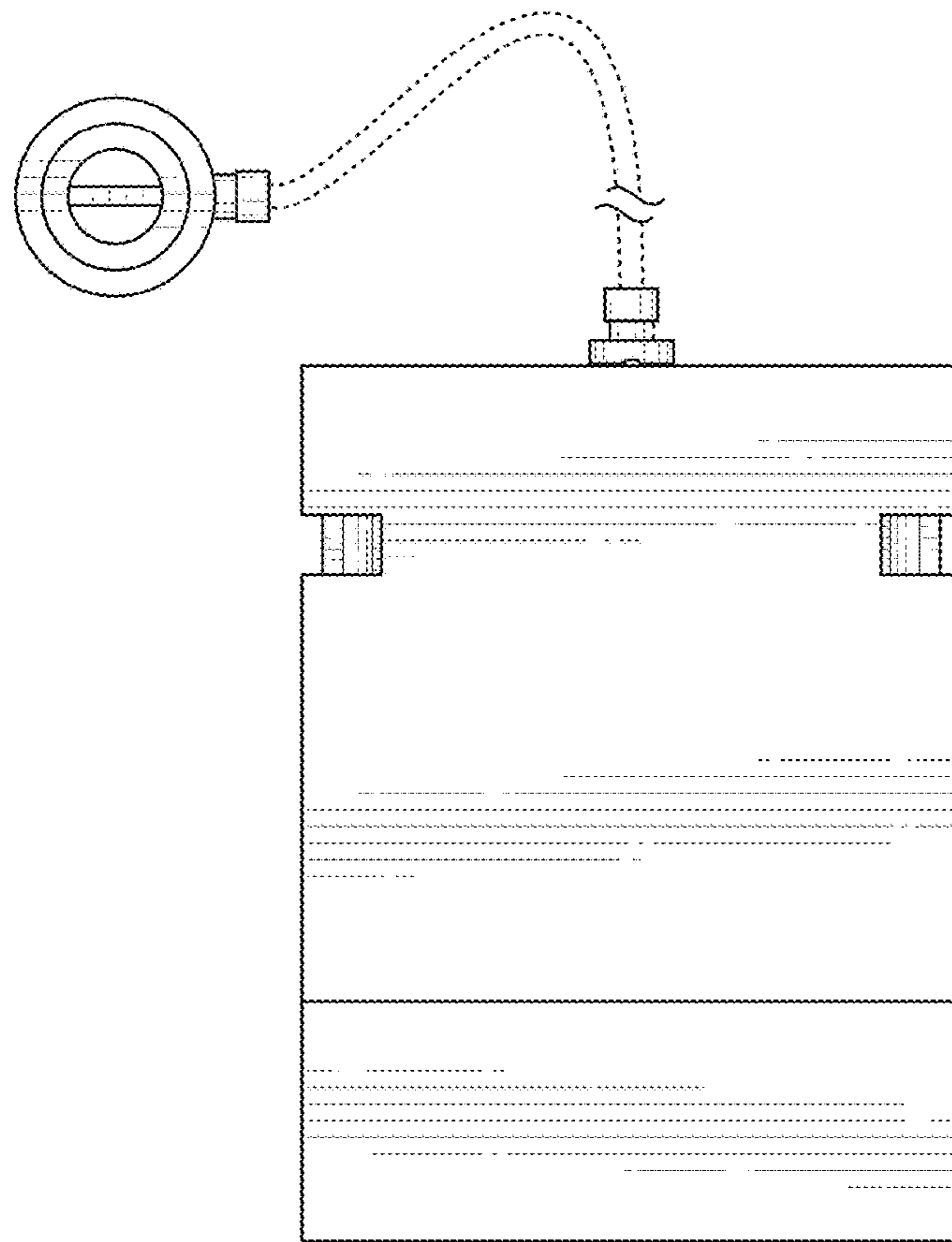


FIG. 6

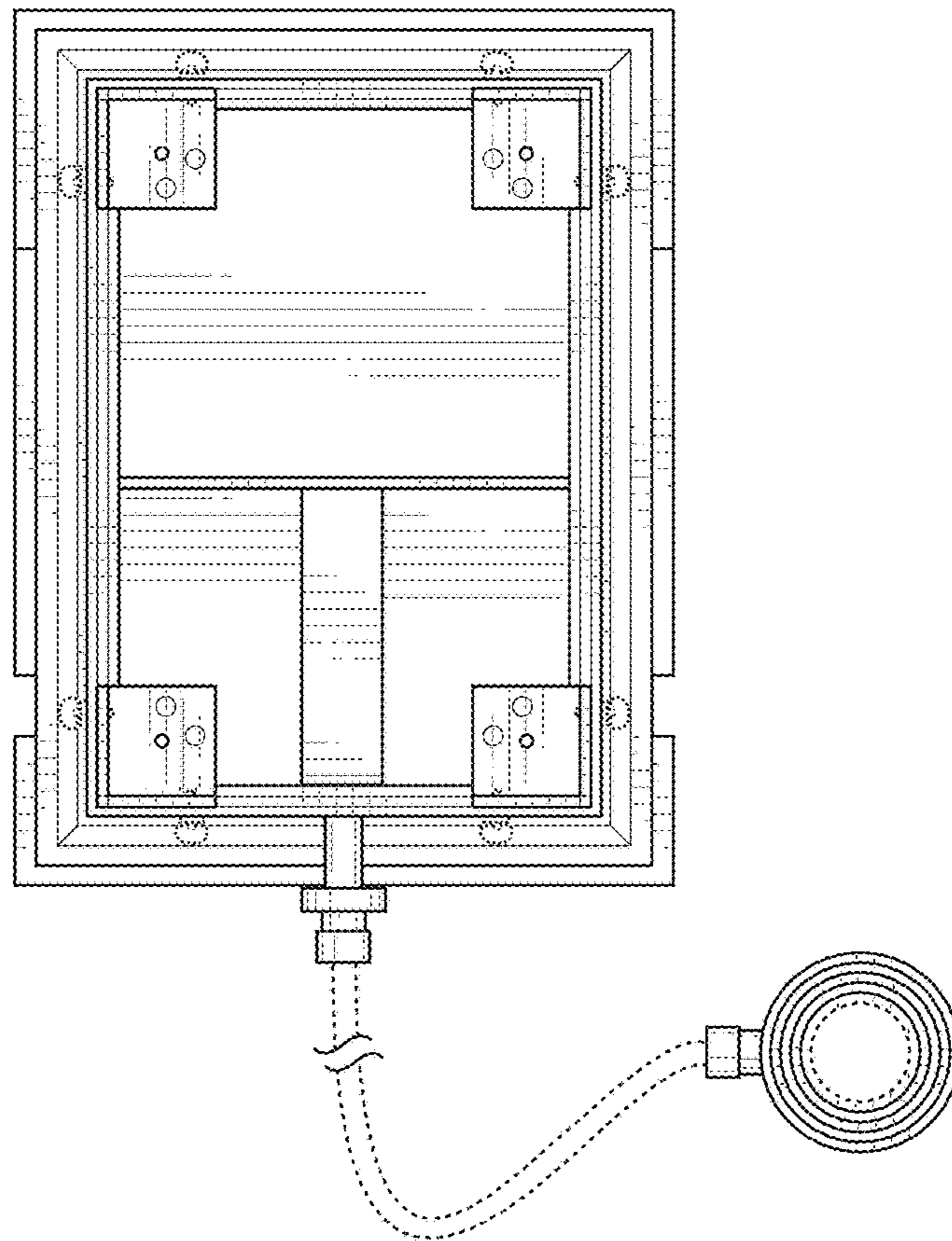


FIG. 7