



US00D840518S

(12) **United States Design Patent** (10) **Patent No.:** **US D840,518 S**  
**Richter** (45) **Date of Patent:** **\*\* Feb. 12, 2019**

(54) **WASHBASIN**

(71) Applicant: **Duravit Aktiengesellschaft**, Hornberg (DE)

(72) Inventor: **Frank Richter**, Hornberg (DE)

(73) Assignee: **Duravit Aktiengesellschaft**, Hornberg (DE)

(\*\*) Term: **15 Years**

(21) Appl. No.: **29/613,850**

(22) Filed: **Aug. 14, 2017**

(30) **Foreign Application Priority Data**

Feb. 15, 2017 (WO) ..... DM/095253

(51) **LOC (11) Cl.** ..... **23-02**

(52) **U.S. Cl.**  
USPC ..... **D23/284**

(58) **Field of Classification Search**  
USPC ..... D23/284, 293.1, 303, 308  
CPC ..... E03C 1/18  
See application file for complete search history.

(56) **References Cited**

**U.S. PATENT DOCUMENTS**

D538,905 S \* 3/2007 Wano ..... D23/293.1  
D636,855 S \* 4/2011 Thomas ..... D23/293.1  
D659,811 S \* 5/2012 Licini ..... D23/293.1  
D745,122 S \* 12/2015 Schonherr ..... D23/284

\* cited by examiner

*Primary Examiner* — Robert A Delehanty

(74) *Attorney, Agent, or Firm* — Florek & Endres PLLC

(57) **CLAIM**

I claim the ornamental design for a washbasin, as shown and described.

**DESCRIPTION**

FIG. 1 is a perspective view of a first embodiment of a design for a washbasin.

FIG. 2 is a top plan view of a first embodiment of a design for a washbasin.

FIG. 3 is a bottom plan view of a first embodiment of a design for a washbasin.

FIG. 4 is a front elevation view of a first embodiment of a design for a washbasin.

FIG. 5 is a rear elevation view of a first embodiment of a design for a washbasin.

FIG. 6 is a right side elevation view of a first embodiment of a design for a washbasin.

FIG. 7 is a left side elevation view of a first embodiment of a design for a washbasin.

FIG. 8 is a perspective view of a second embodiment of a design for a washbasin.

FIG. 9 is a top plan view of a second embodiment of a design for a washbasin.

FIG. 10 is a bottom plan view of a second embodiment of a design for a washbasin.

FIG. 11 is a front elevation view of a second embodiment of a design for a washbasin.

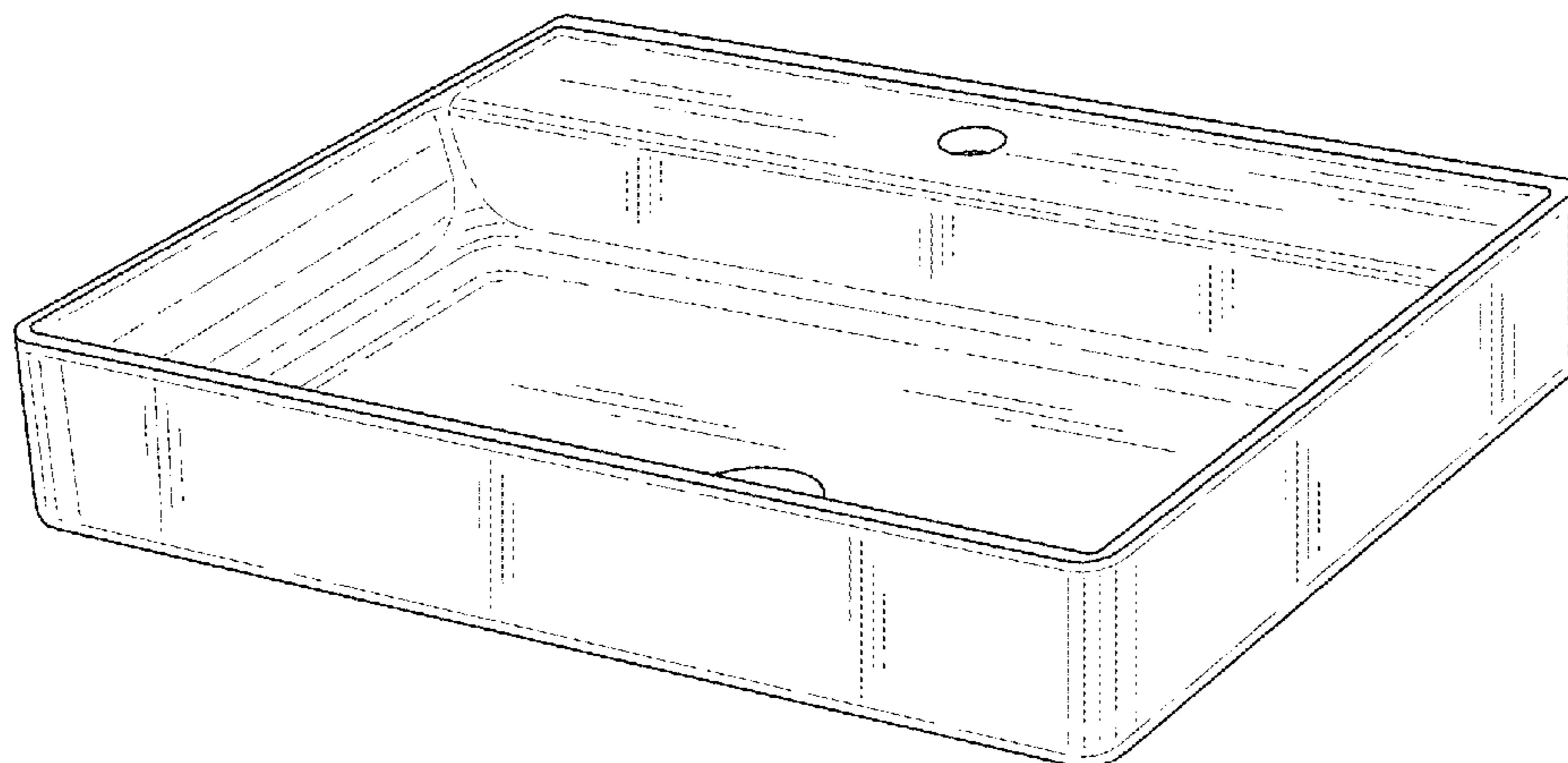
FIG. 12 is a rear elevation view of a second embodiment of a design for a washbasin.

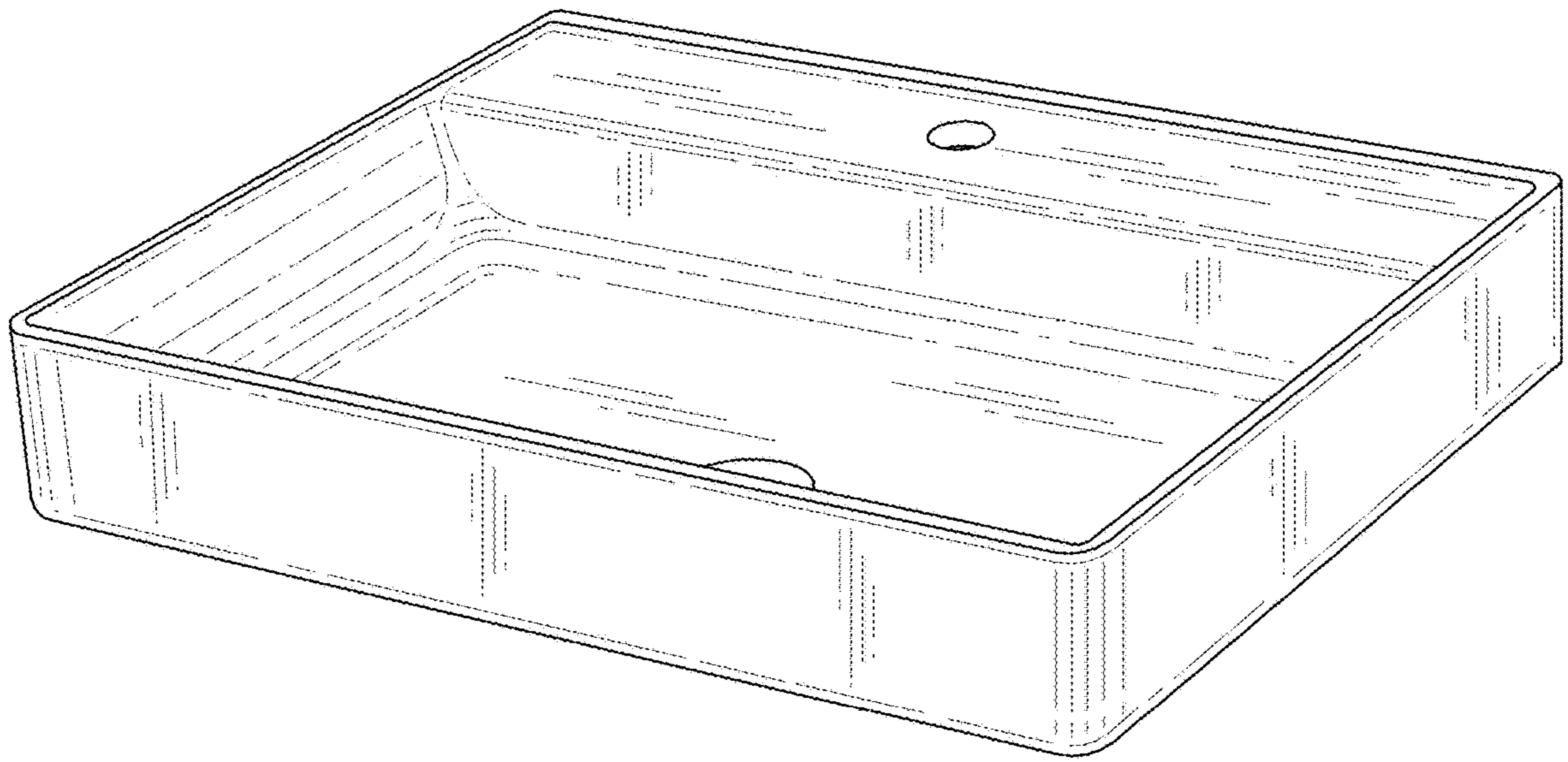
FIG. 13 is a right side elevation view of a second embodiment of a design for a washbasin; and,

FIG. 14 is a left side elevation view of a second embodiment of a design for a washbasin.

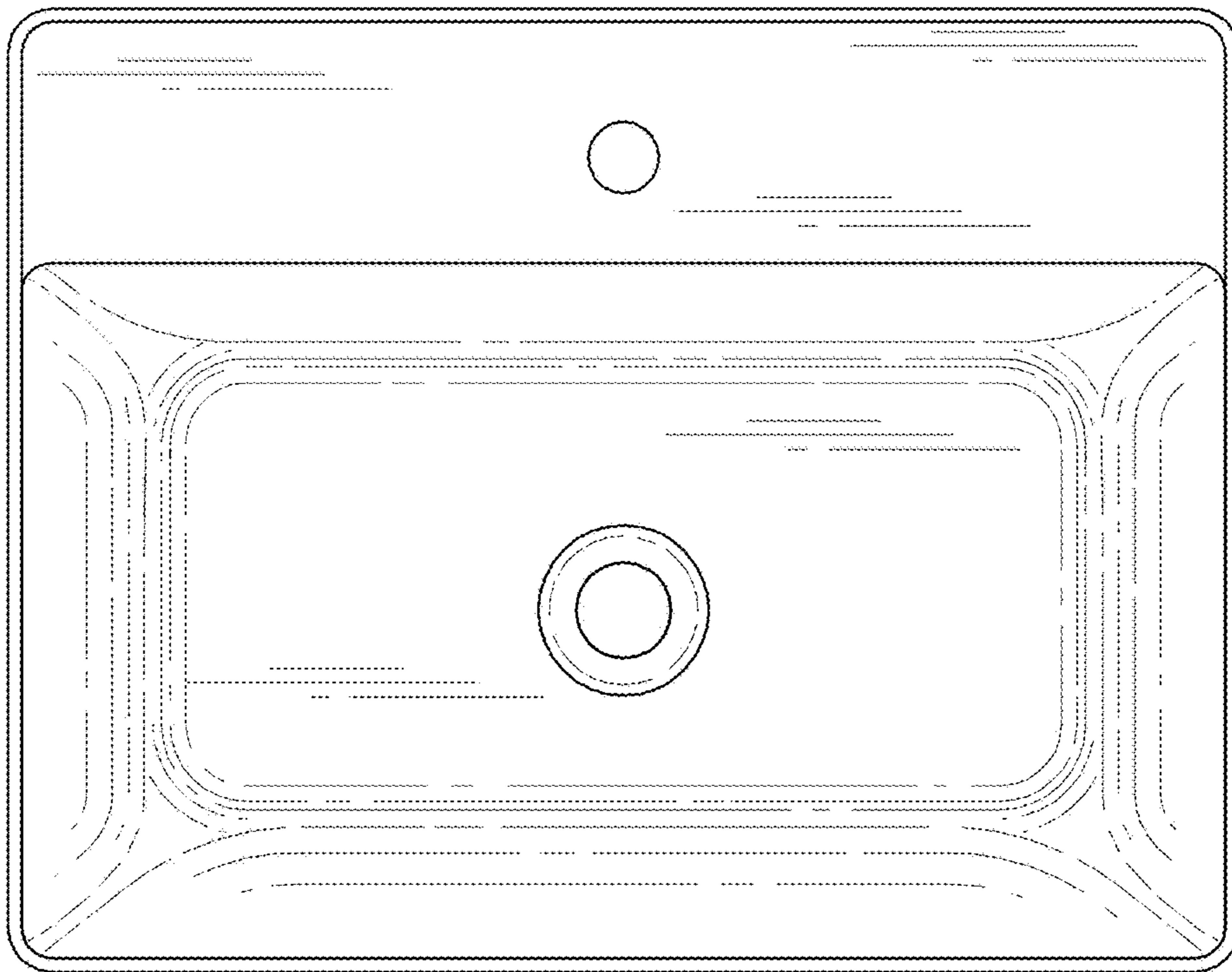
The broken lines shown in the drawings represent unclaimed portions of the washbasin and forms no part of the claimed design.

**1 Claim, 8 Drawing Sheets**

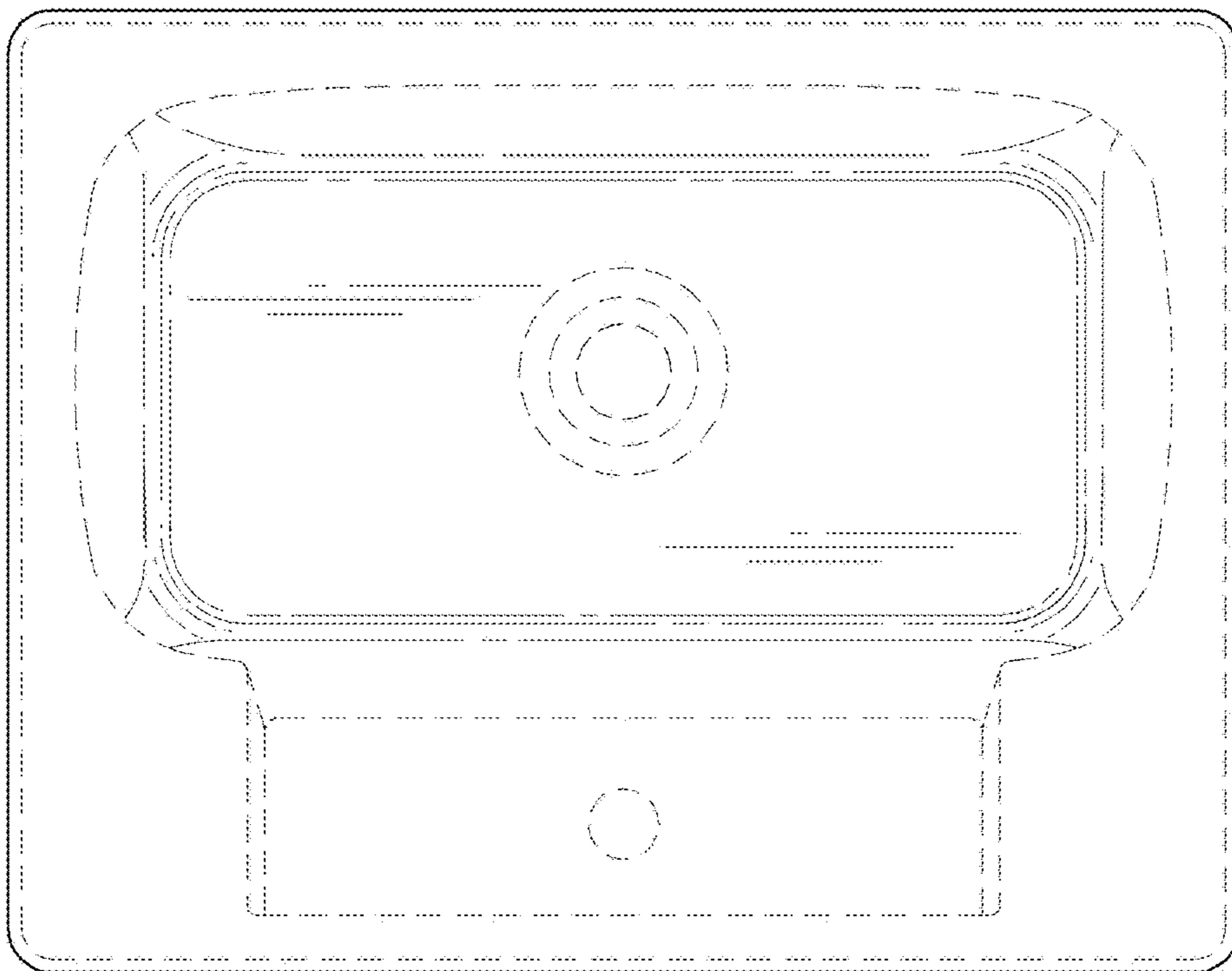




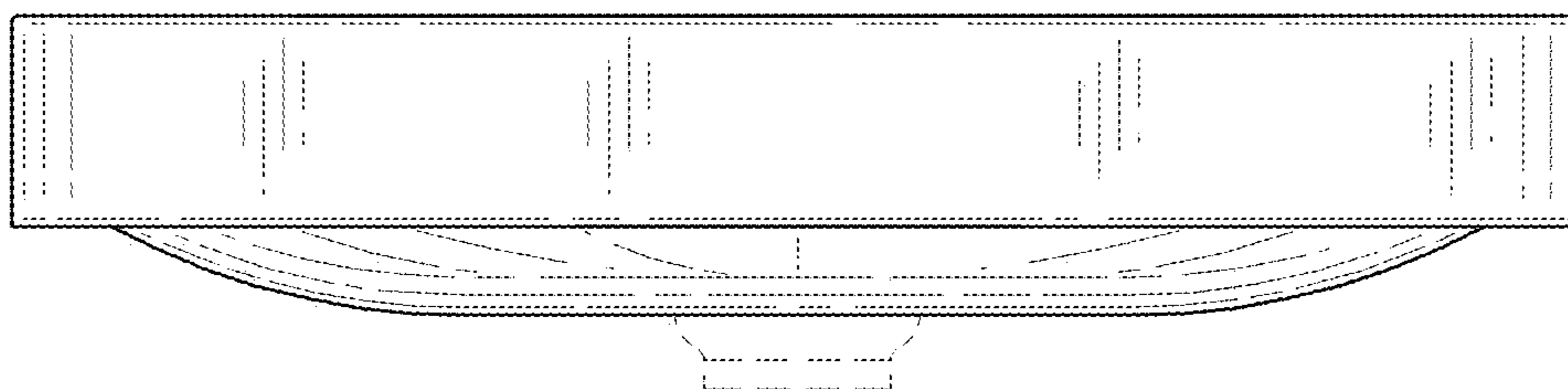
*FIG. 1*



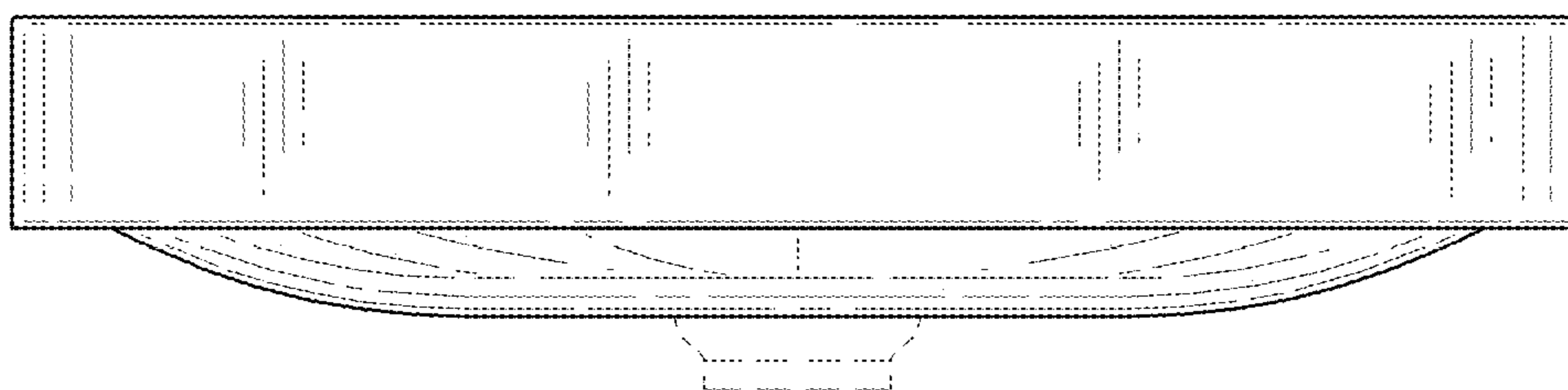
*FIG. 2*



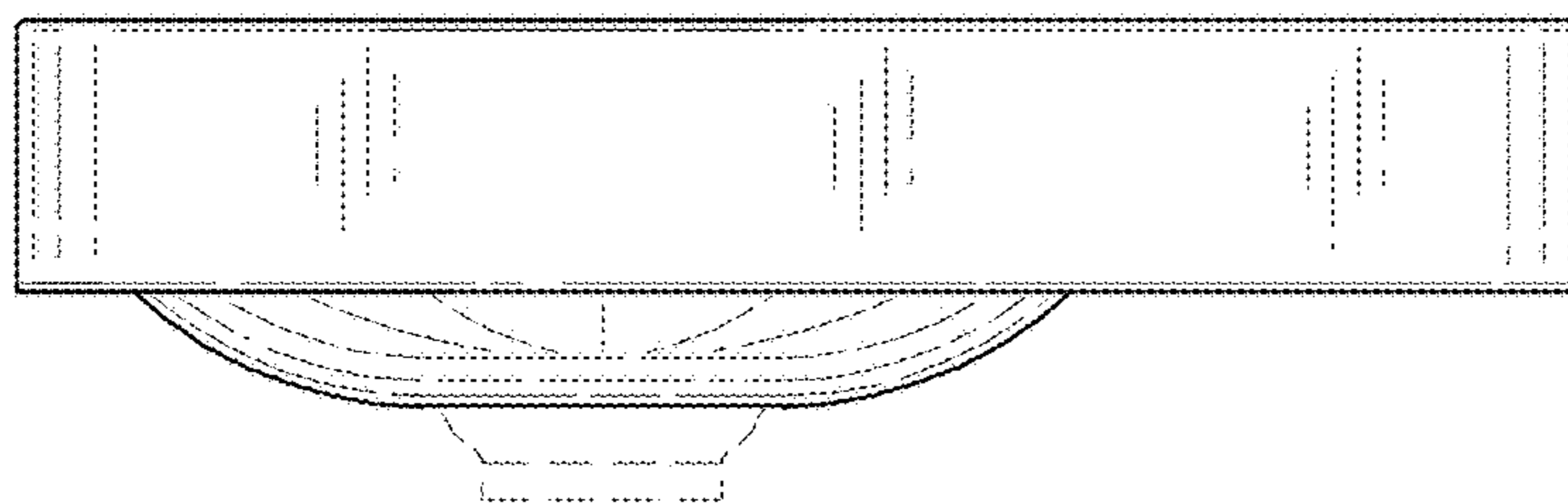
*FIG. 3*



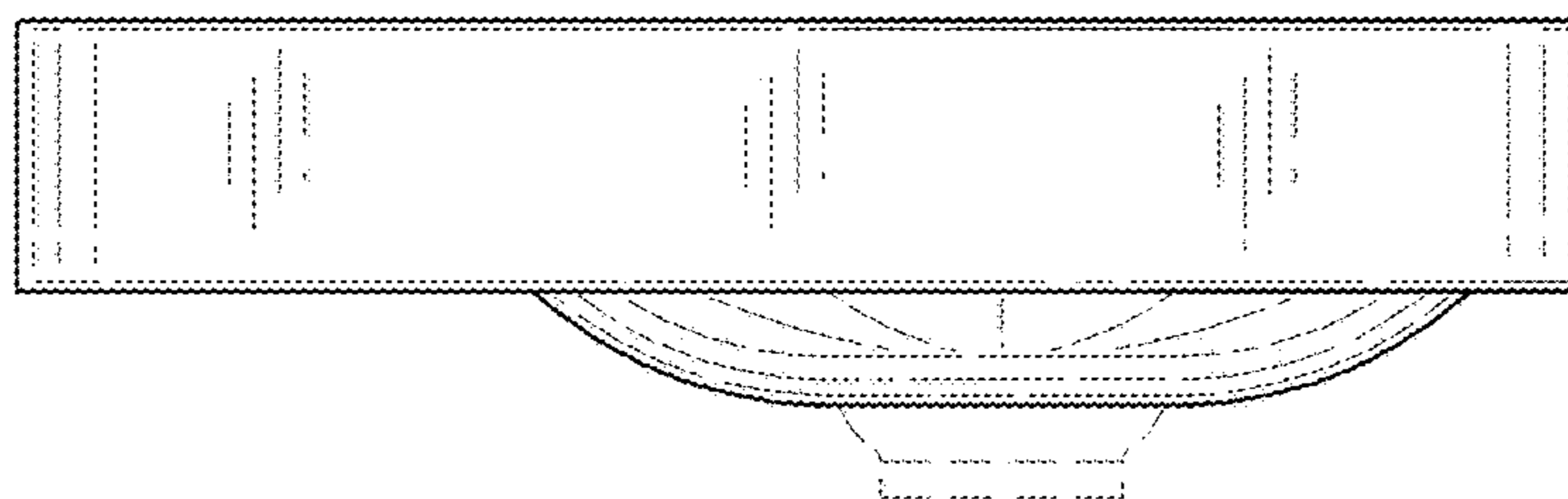
*FIG. 4*



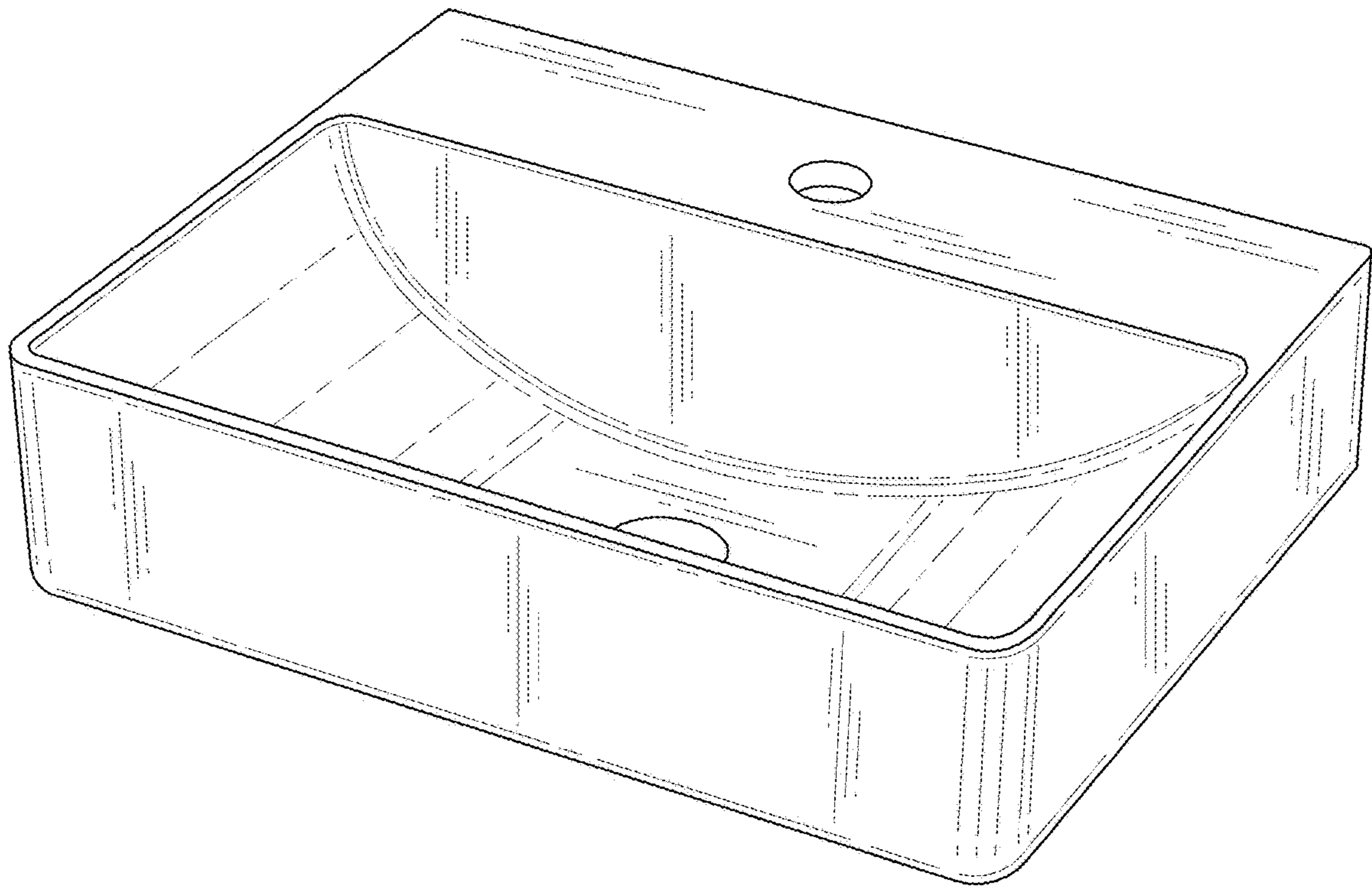
*FIG. 5*



*FIG. 6*



*FIG. 7*



*FIG. 8*

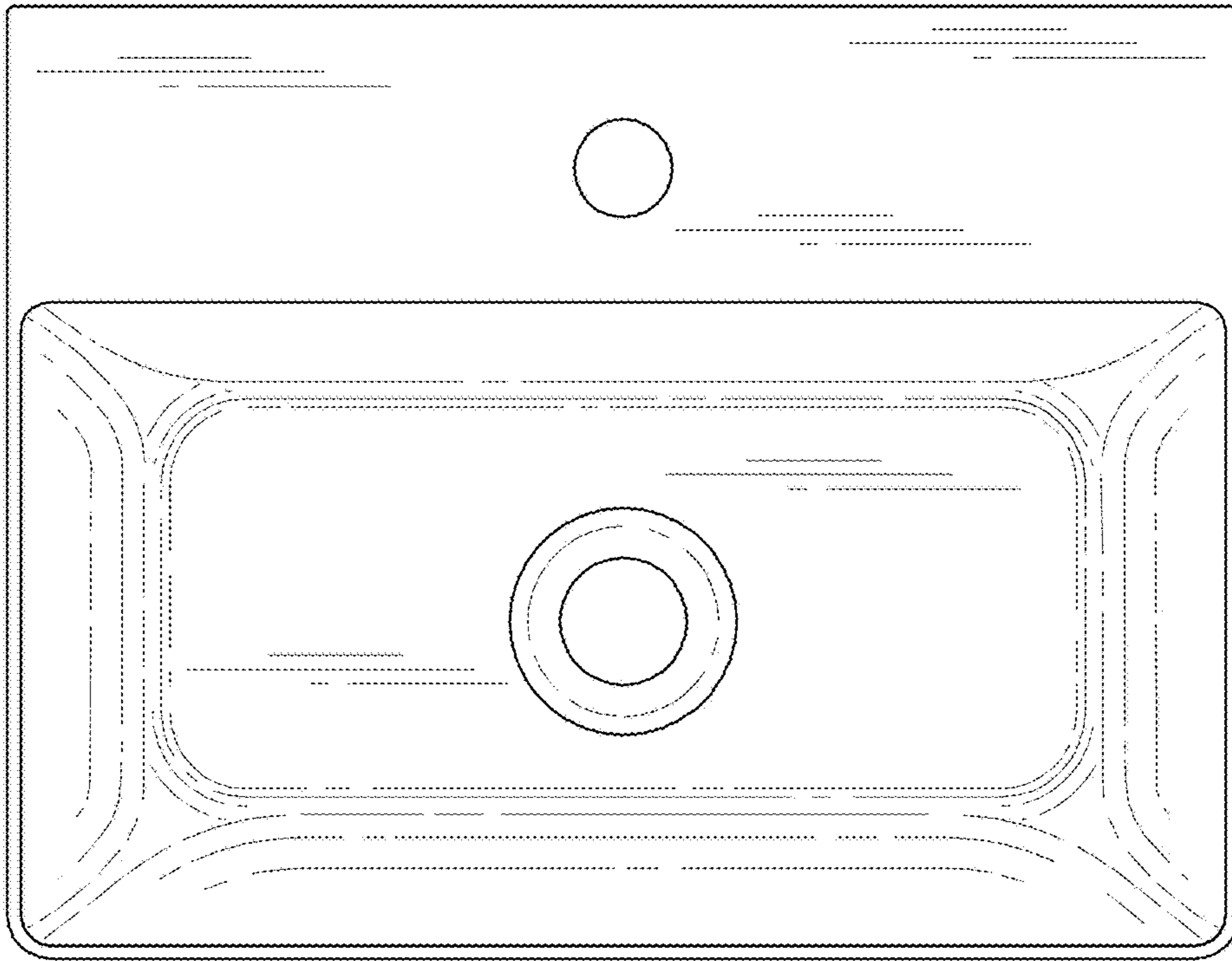


FIG. 9

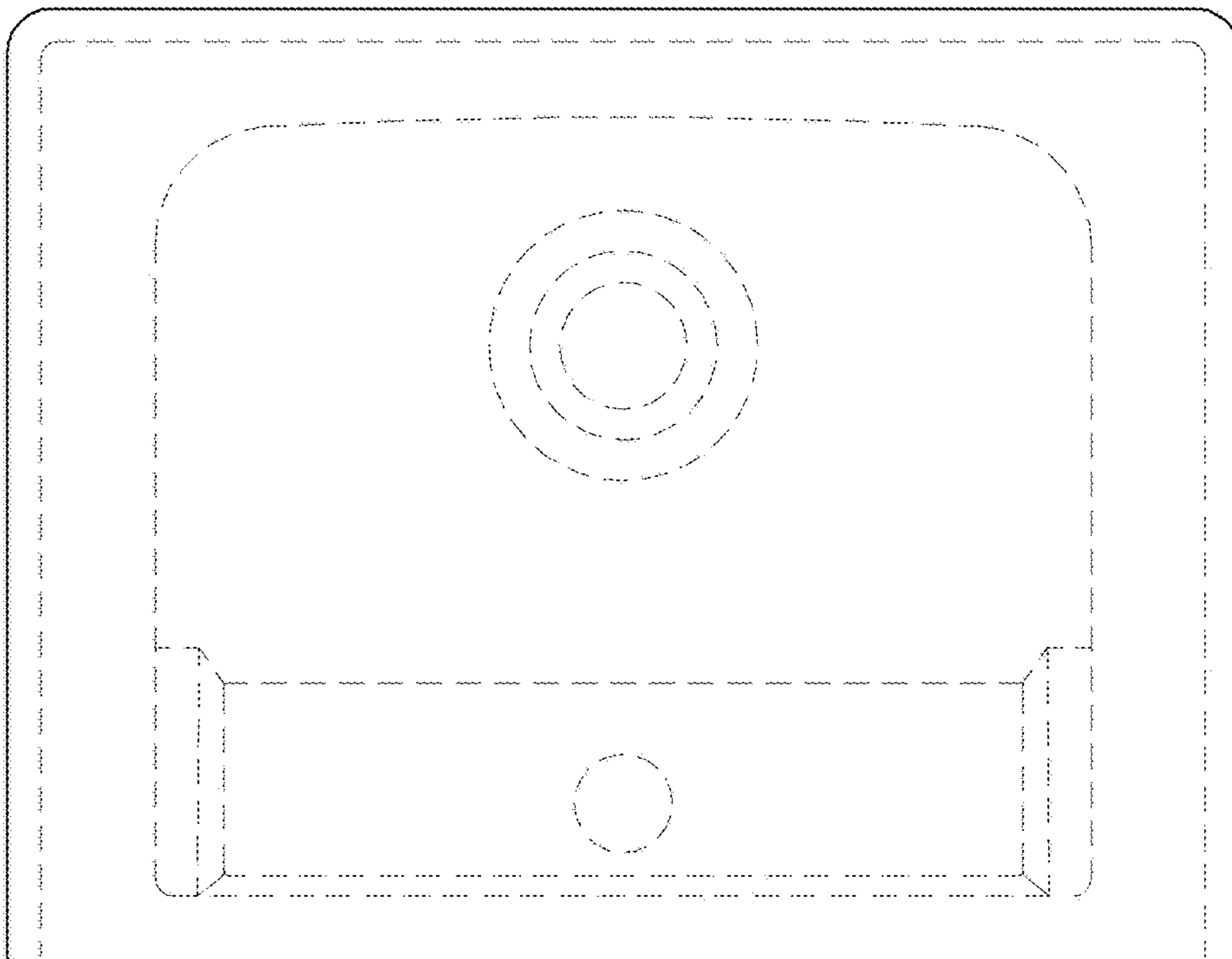
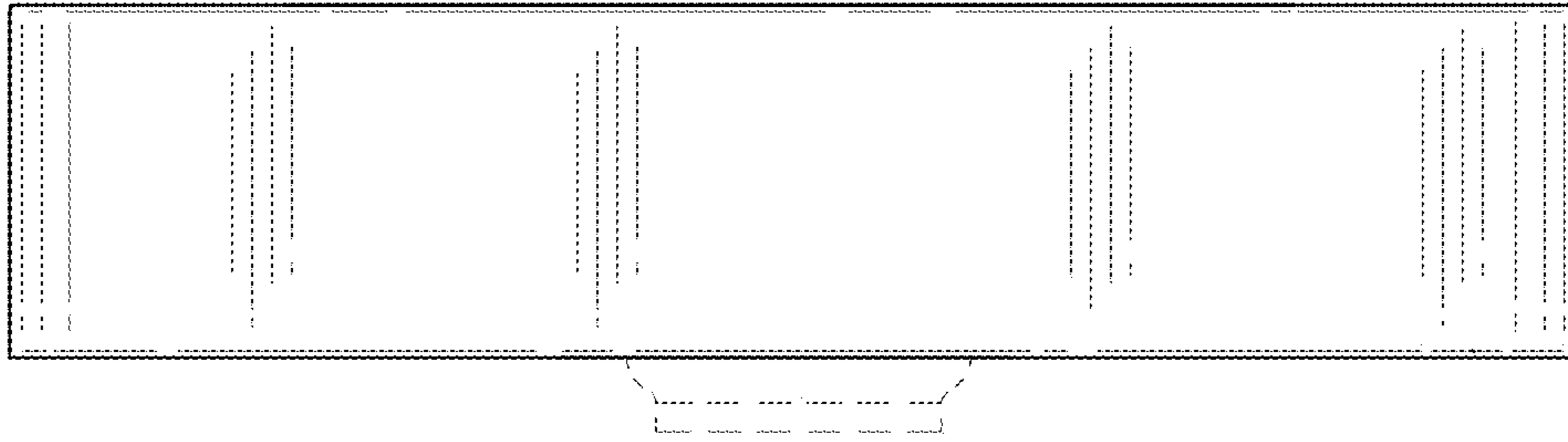
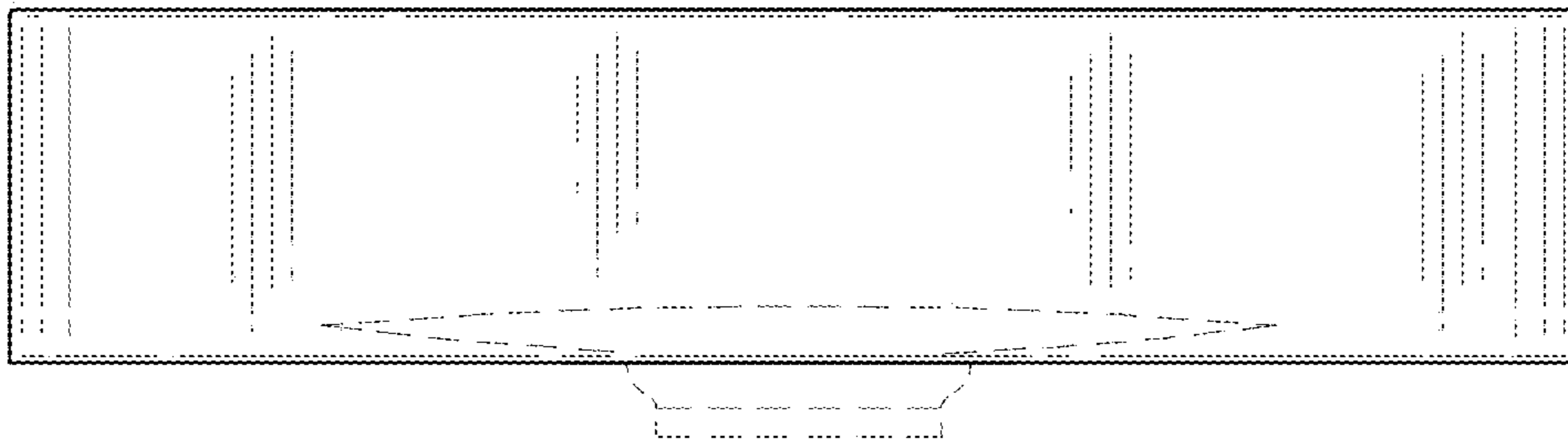


FIG. 10

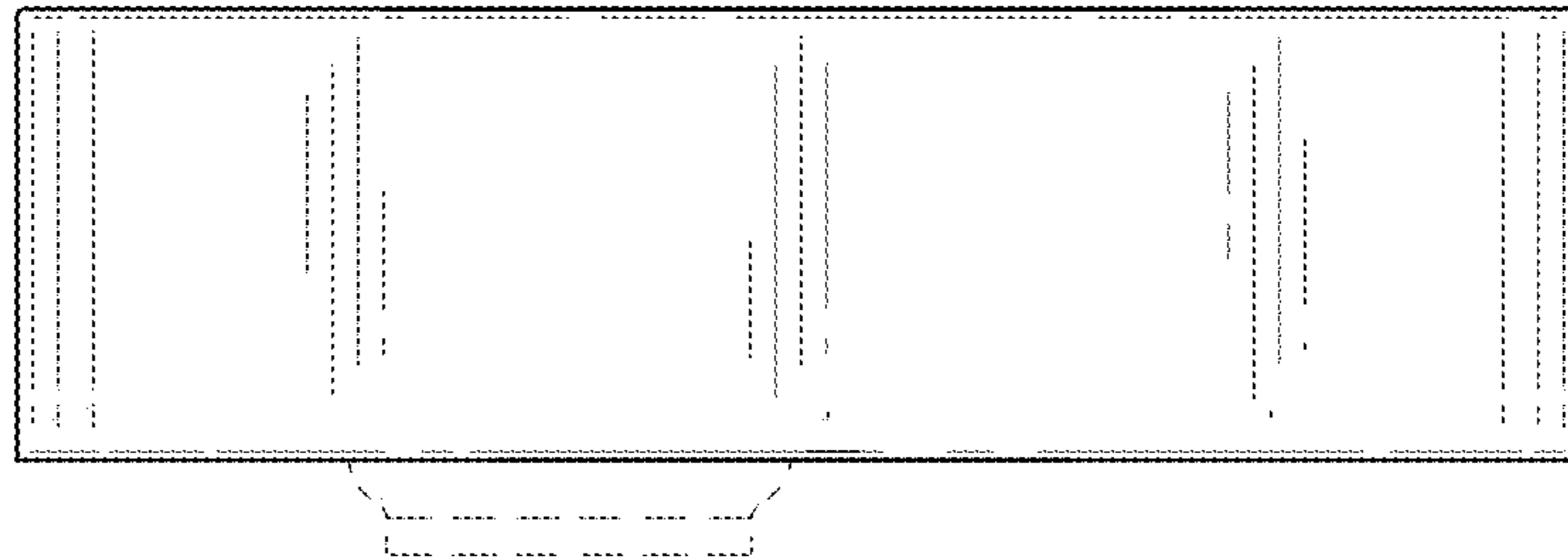


*FIG. 11*

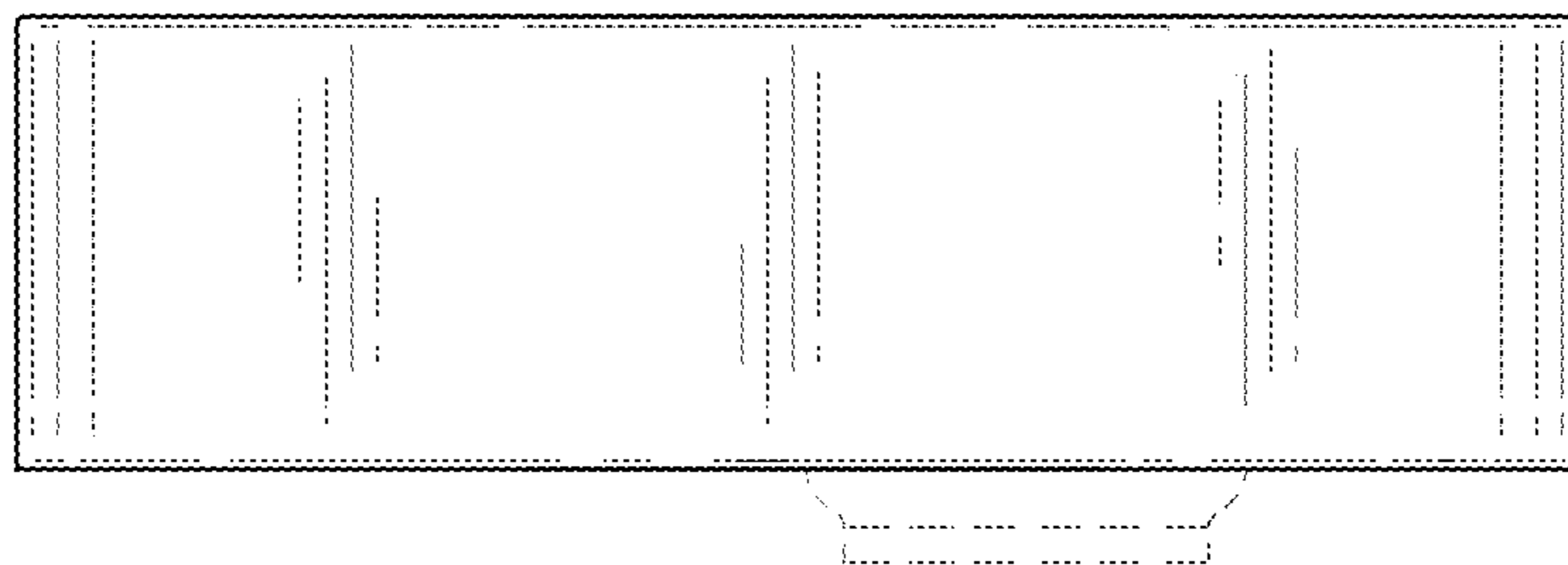


*FIG. 12*





*FIG. 13*



*FIG. 14*