

US00D840517S

(12) **United States Design Patent** (10) **Patent No.:** **US D840,517 S**  
**Richter** (45) **Date of Patent:** **\*\* Feb. 12, 2019**

(54) **WASHBASIN**

D415,261 S \* 10/1999 Thomas ..... D23/284  
D538,905 S \* 3/2007 Wano ..... D23/293.1  
D745,122 S \* 12/2015 Schonherr ..... D23/284

(71) Applicant: **Duravit Aktiengesellschaft**, Hornberg (DE)

\* cited by examiner

(72) Inventor: **Frank Richter**, Hornberg (DE)

*Primary Examiner* — Robert A Delehanty

(73) Assignee: **Duravit Aktiengesellschaft**, Hornberg (DE)

(74) *Attorney, Agent, or Firm* — Florek & Endres PLLC

(\*\*) Term: **15 Years**

(57) **CLAIM**

I claim the ornamental design for a washbasin, as shown and described.

(21) Appl. No.: **29/613,847**

**DESCRIPTION**

(22) Filed: **Aug. 14, 2017**

FIG. 1 is a perspective view of the washbasin of the present invention.

(30) **Foreign Application Priority Data**

Feb. 15, 2017 (WO) ..... DM/095253

FIG. 2 is a top plan view of the washbasin of the present invention.

(51) **LOC (11) Cl.** ..... **23-02**

FIG. 3 is a bottom plan view of the washbasin of the present invention.

(52) **U.S. Cl.**  
USPC ..... **D23/284**

FIG. 4 is a front elevation view of the washbasin of the present invention.

(58) **Field of Classification Search**  
USPC ..... D23/284, 293.1, 303, 308  
CPC ..... E03C 1/18  
See application file for complete search history.

FIG. 5 is a rear elevation view of the washbasin of the present invention.

FIG. 6 is a right side elevation view of the washbasin of the present invention; and,

(56) **References Cited**

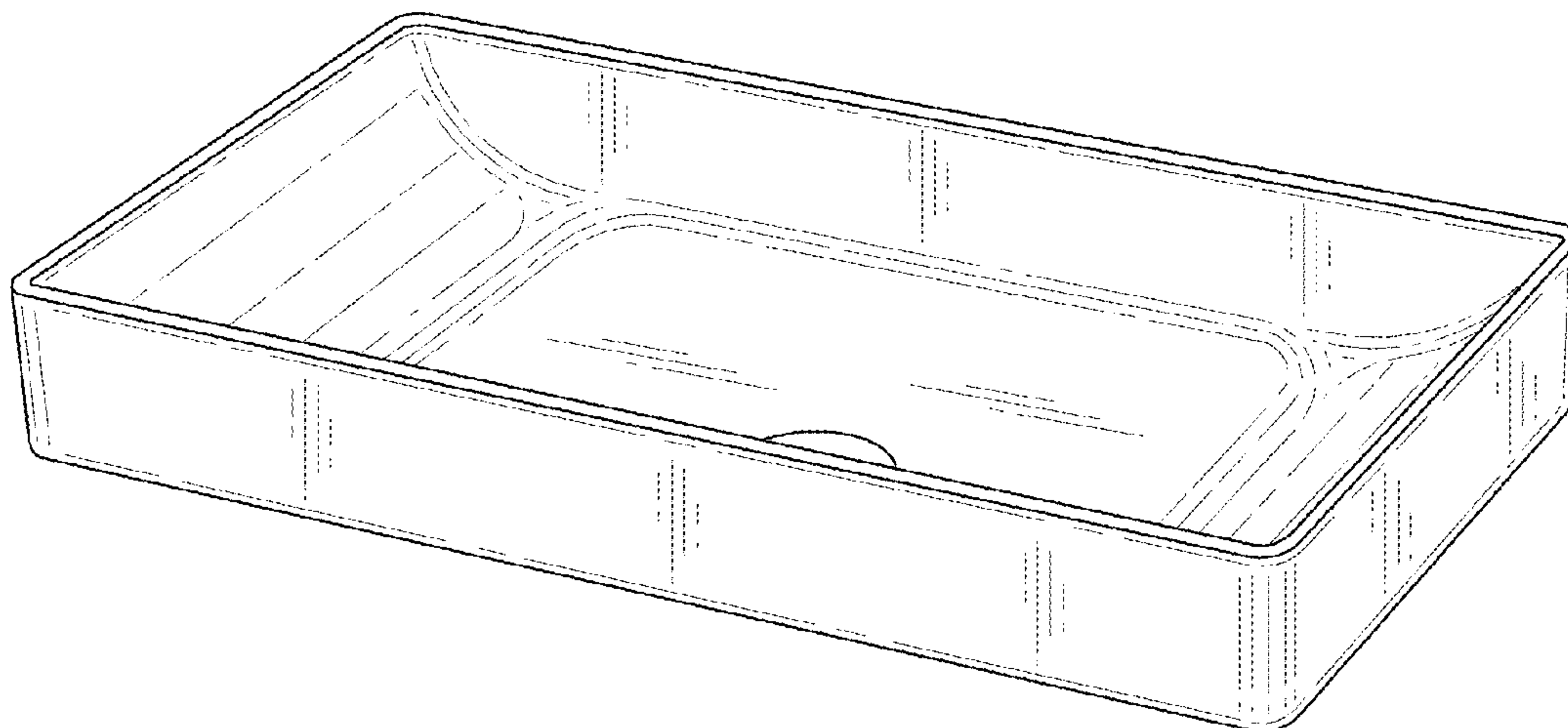
**U.S. PATENT DOCUMENTS**

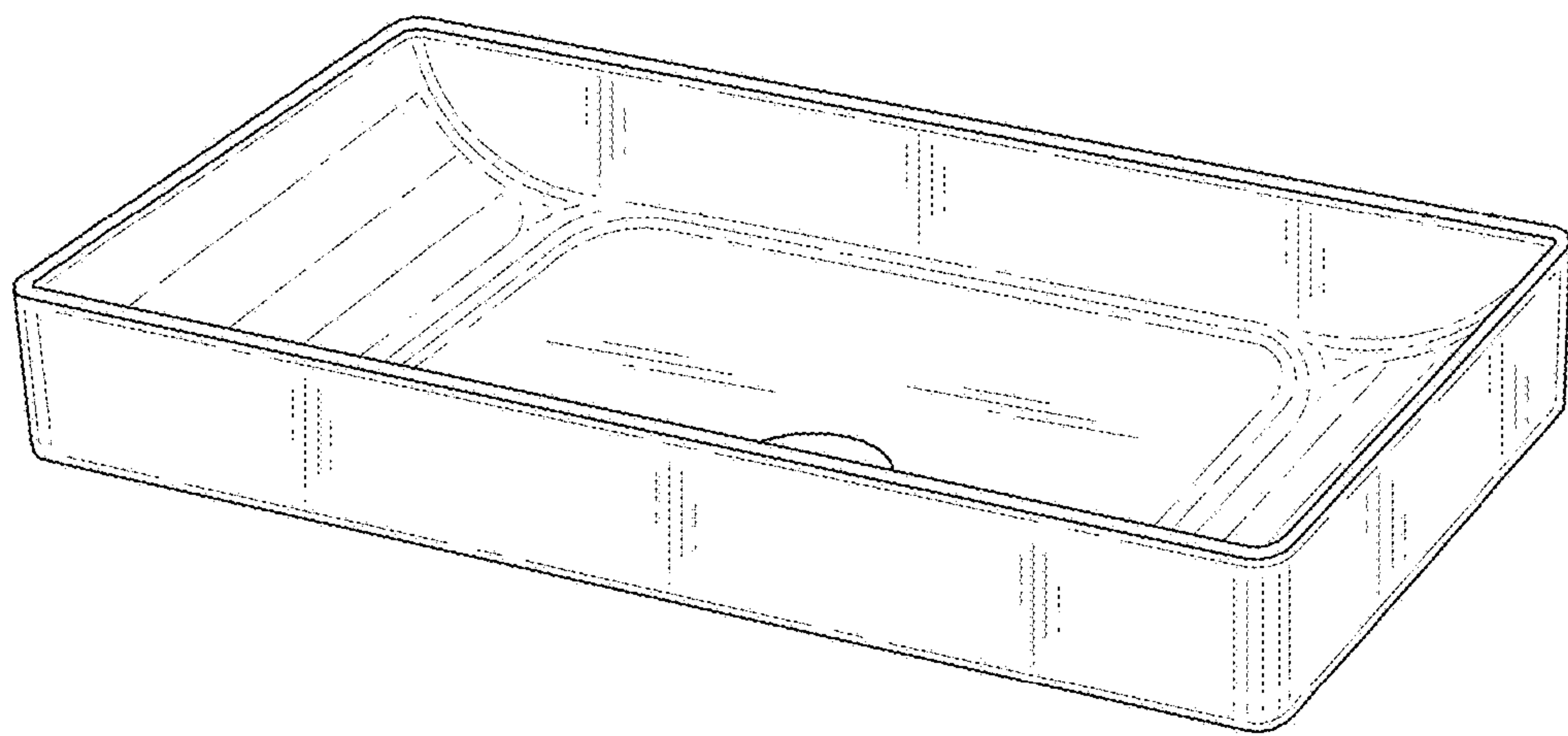
D391,353 S \* 2/1998 McKeone ..... D23/284  
5,819,335 A \* 10/1998 Hennessy ..... E03C 1/18  
4/619

FIG. 7 is a left side elevation view of the washbasin of the present invention.

The broken lines shown in the drawings represent unclaimed portions of the washbasin and forms no part of the claimed design.

**1 Claim, 4 Drawing Sheets**





*FIG. 1*

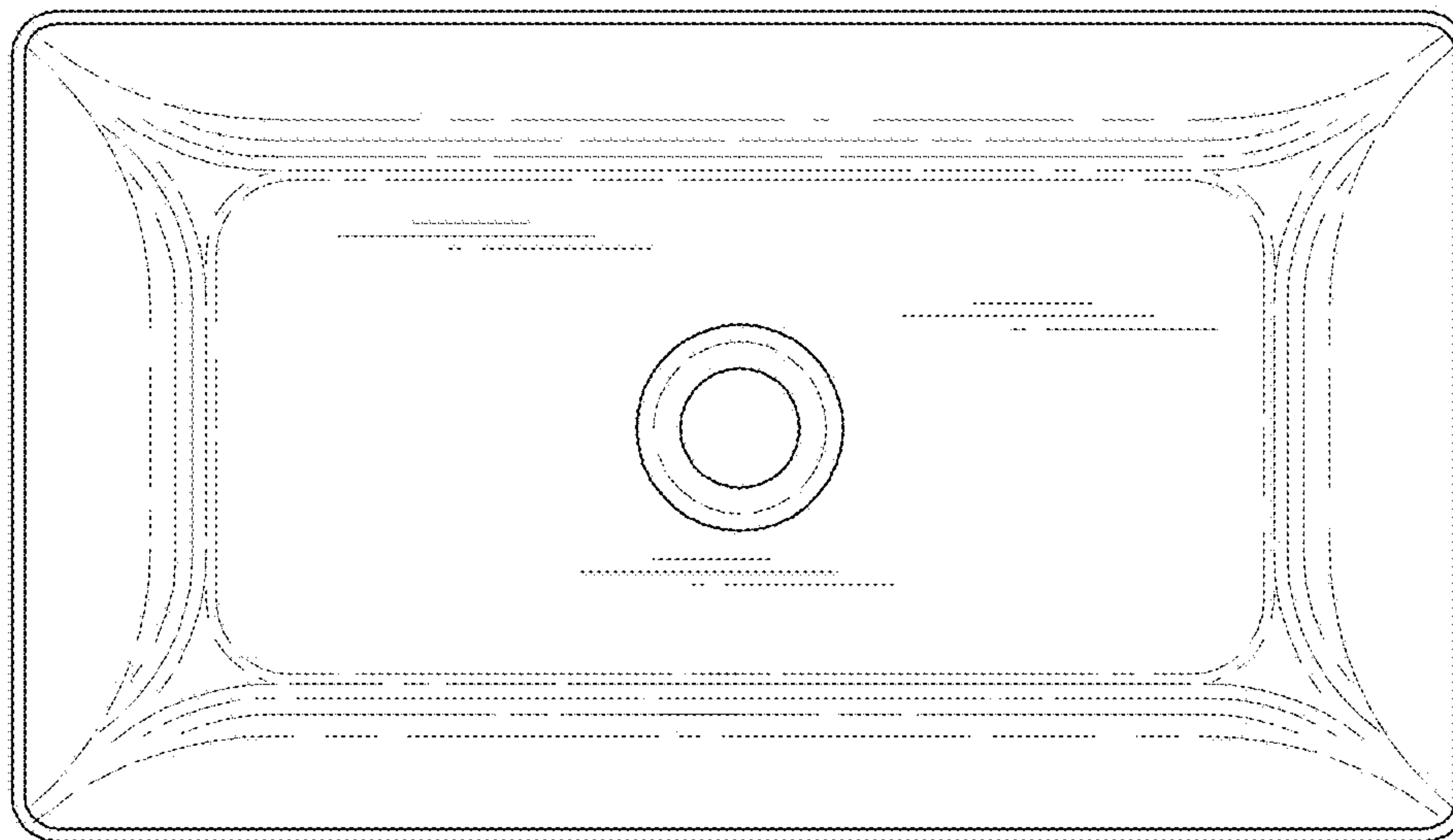


FIG. 2

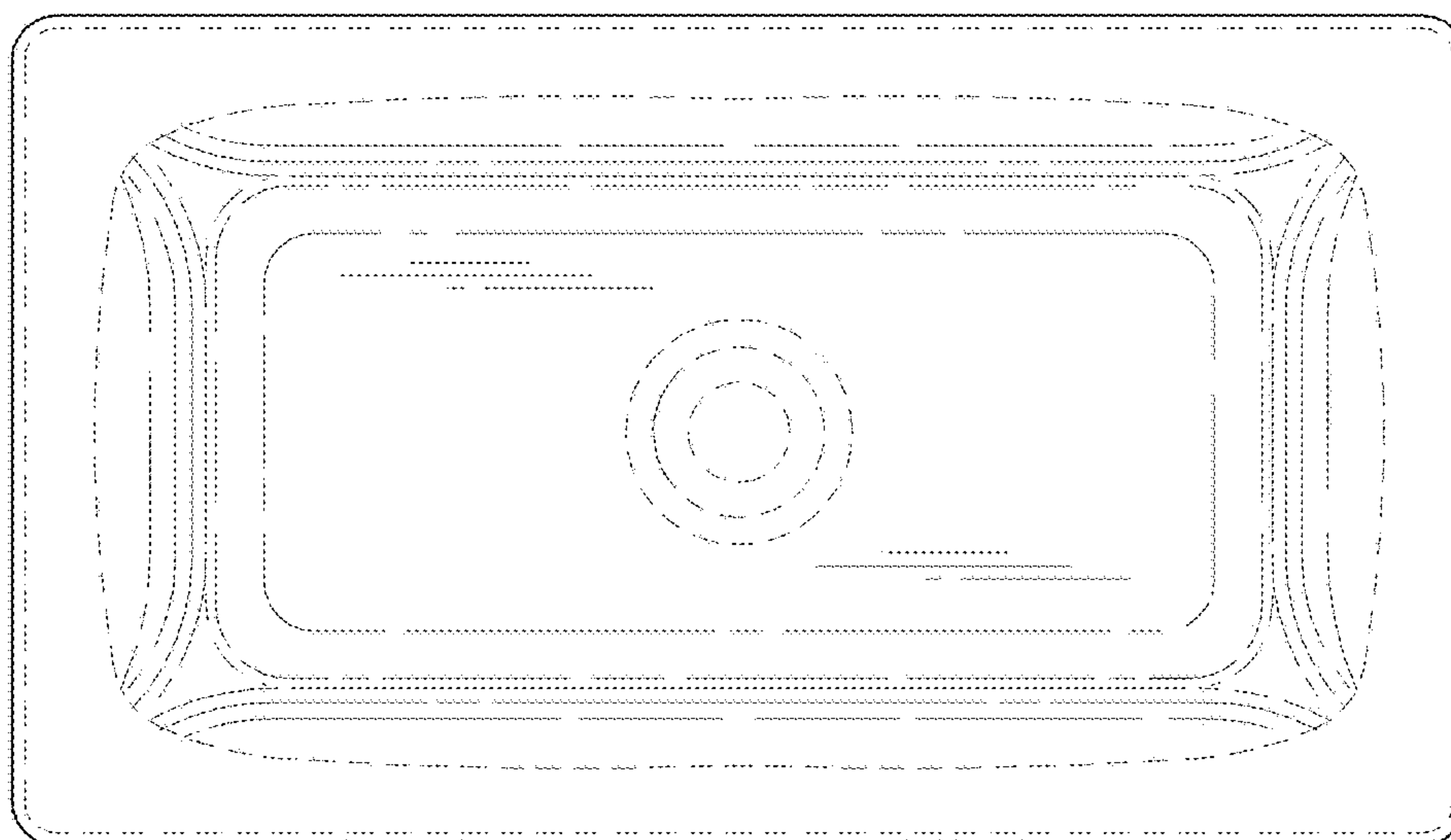
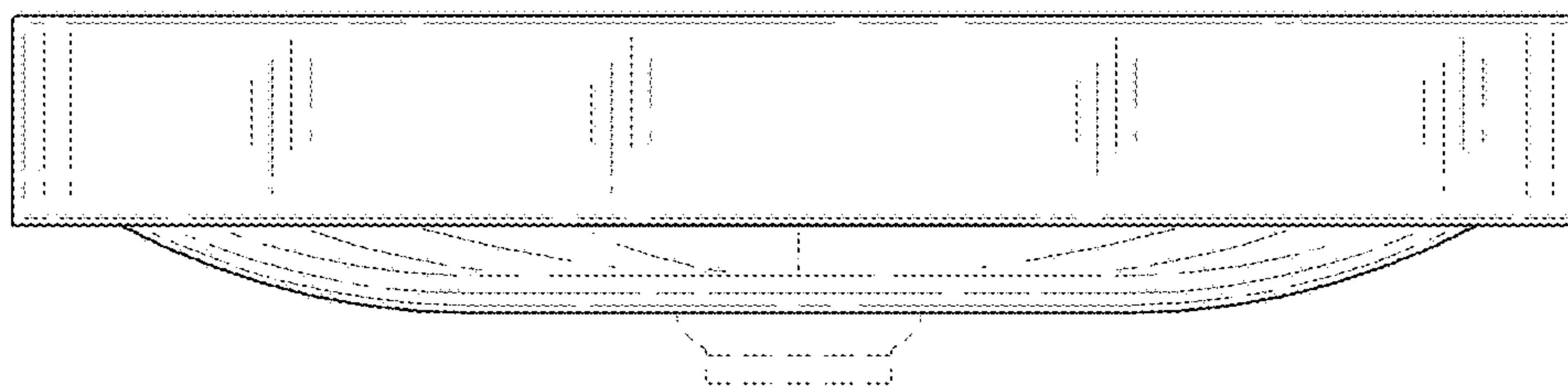
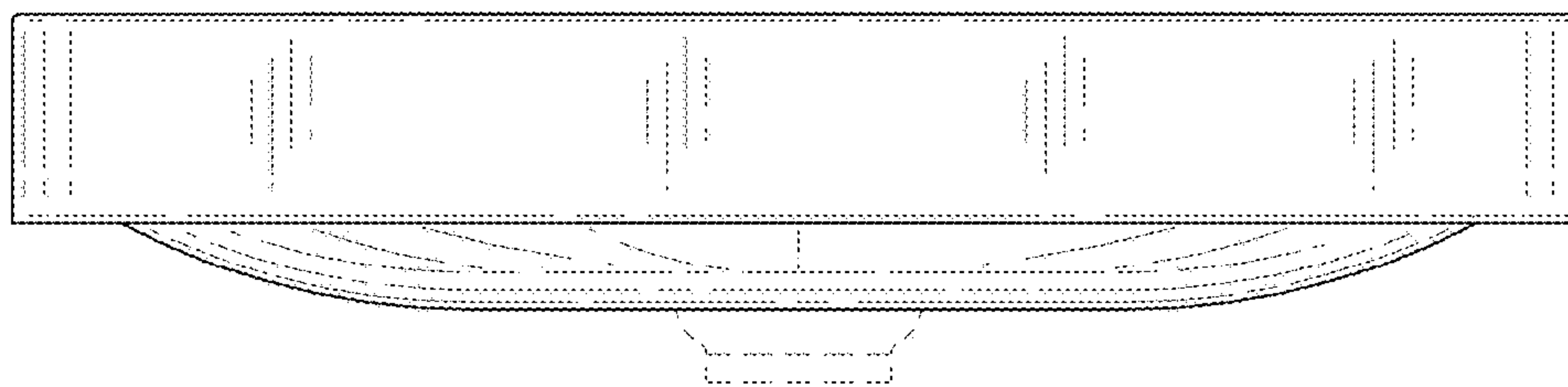


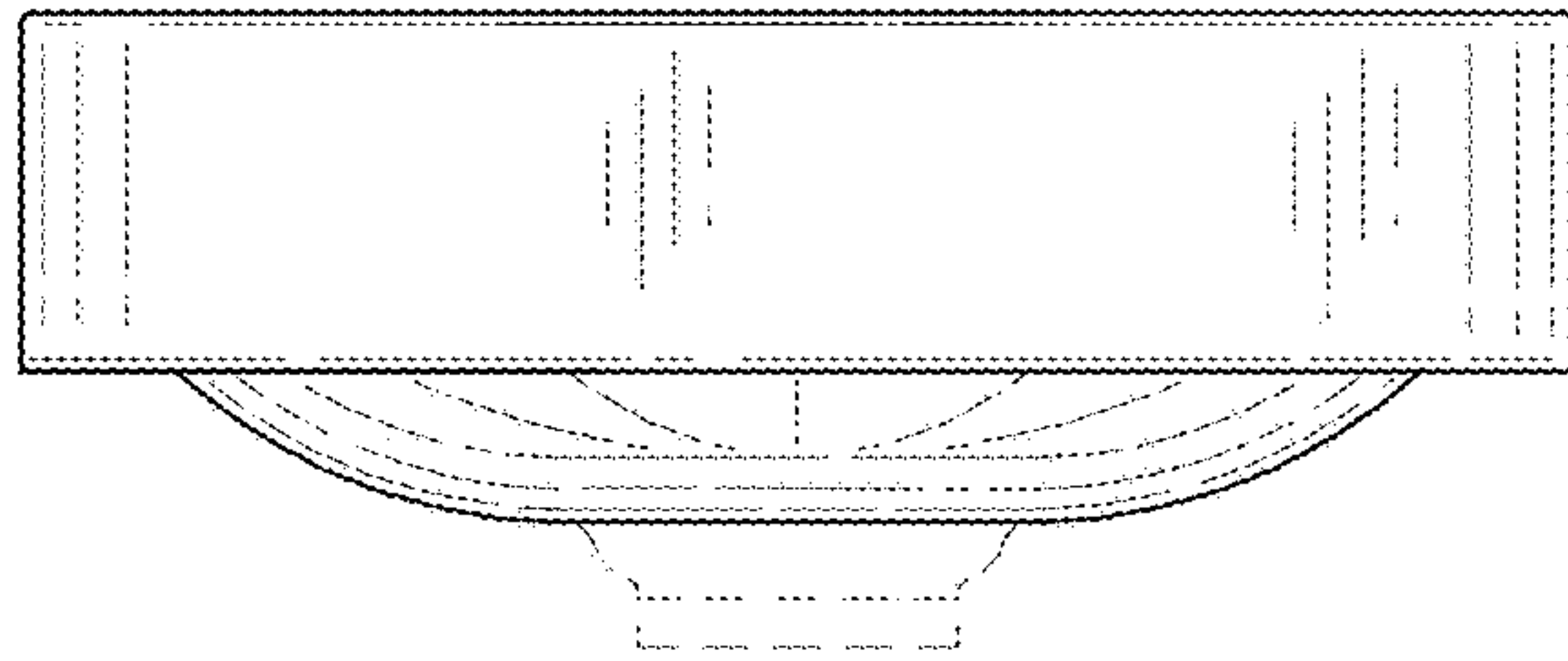
FIG. 3



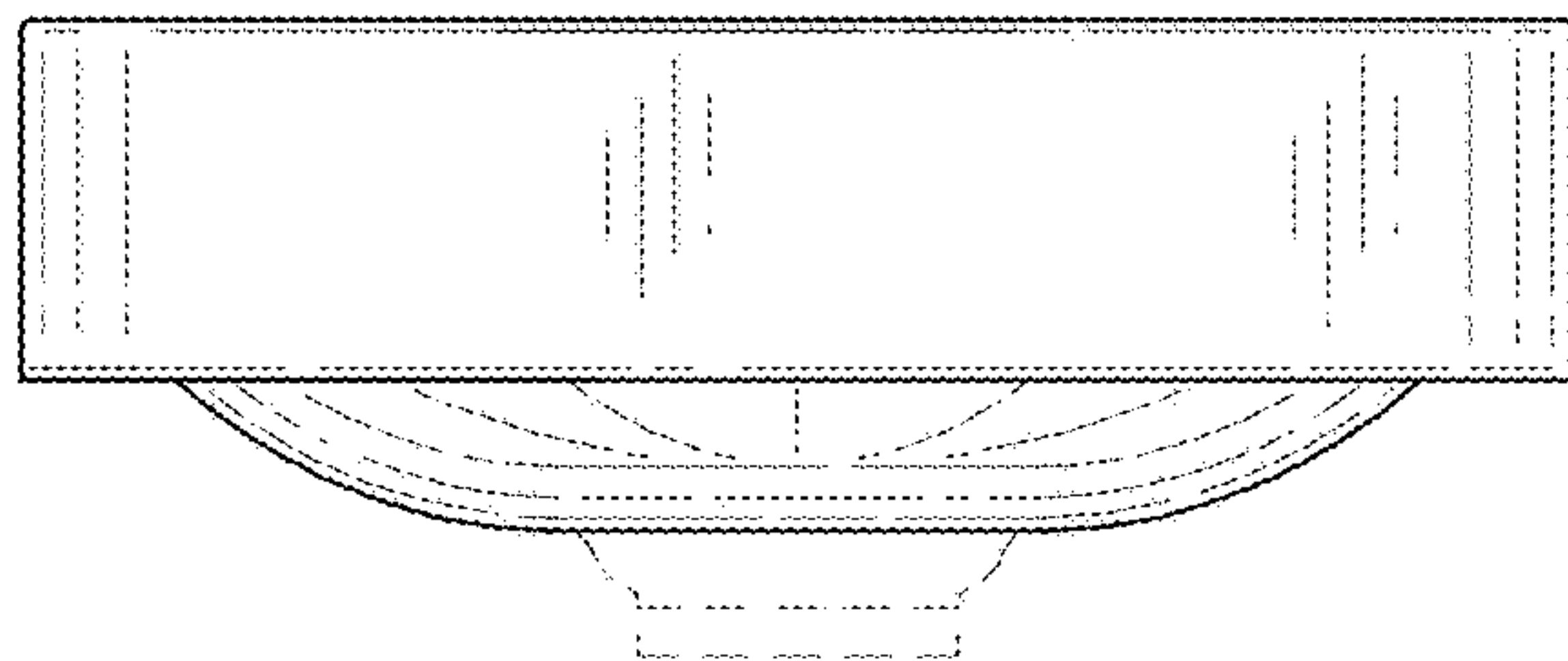
*FIG. 4*



*FIG. 5*



*FIG. 6*



*FIG. 7*