



US00D840516S

(12) **United States Design Patent** (10) **Patent No.:** **US D840,516 S**
Haynes (45) **Date of Patent:** **** Feb. 12, 2019**

(54) **SEALING GLAND**

(71) Applicant: **Lake Products Limited**, Auckland (NZ)

(72) Inventor: **Andrew Leo Haynes**, Auckland (NZ)

(73) Assignee: **Lake Products Limited**, Auckland (NZ)

(**) Term: **15 Years**

(21) Appl. No.: **29/611,036**

(22) Filed: **Jul. 18, 2017**

Related U.S. Application Data

(63) Continuation of application No. 29/538,801, filed on Sep. 8, 2015, now Pat. No. Des. 796,014, which is a continuation of application No. 12/084,142, filed as application No. PCT/NZ2006/000278 on Oct. 27, 2006, now Pat. No. 9,255,412.

(30) **Foreign Application Priority Data**

Sep. 11, 2006 (NZ) 549800

(51) **LOC (11) Cl.** **23-01**

(52) **U.S. Cl.**
USPC **D23/269**

(58) **Field of Classification Search**

USPC D23/269, 262, 259-261; 277/351-359, 277/504, 562, 563, 572, 361-364, 381, 277/606, 616, 314, 382, 394, 395; D25/48.2, 122, 164, 199; 285/42-50, 4; 52/58

CPC F16L 5/02; F16L 5/10; F16L 21/05; E04D 13/1406; E04D 13/1407; F16K 3/0227; F16K 51/02; F16J 15/106

See application file for complete search history.

(56) **References Cited**

U.S. PATENT DOCUMENTS

2,510,362 A 6/1950 Anderson
D170,425 S 9/1953 Monahan, Jr.

(Continued)

FOREIGN PATENT DOCUMENTS

AU 199895218 6/1999
AU 200042690 1/2001

(Continued)

Primary Examiner — Eric L Goodman

Assistant Examiner — Amy C Wierenga

(74) *Attorney, Agent, or Firm* — Foley & Lardner LLP

(57) **CLAIM**

I claim the ornamental design for a sealing gland, as shown and described.

DESCRIPTION

FIG. 1 is a perspective view of the claimed design, according to one embodiment;

FIG. 2 is a front view of the claimed design of FIG. 1;

FIG. 3 is a rear view of the claimed design of FIG. 1;

FIG. 4 is a left side view of the claimed design of FIG. 1, the right side view of the claimed design is a mirror image of the left side view;

FIG. 5 is a top view of the claimed design of FIG. 1, the bottom view forms no part of the claimed design;

FIG. 6 is a perspective view of the claimed design, according to a second embodiment;

FIG. 7 is a front view of the claimed design of FIG. 6;

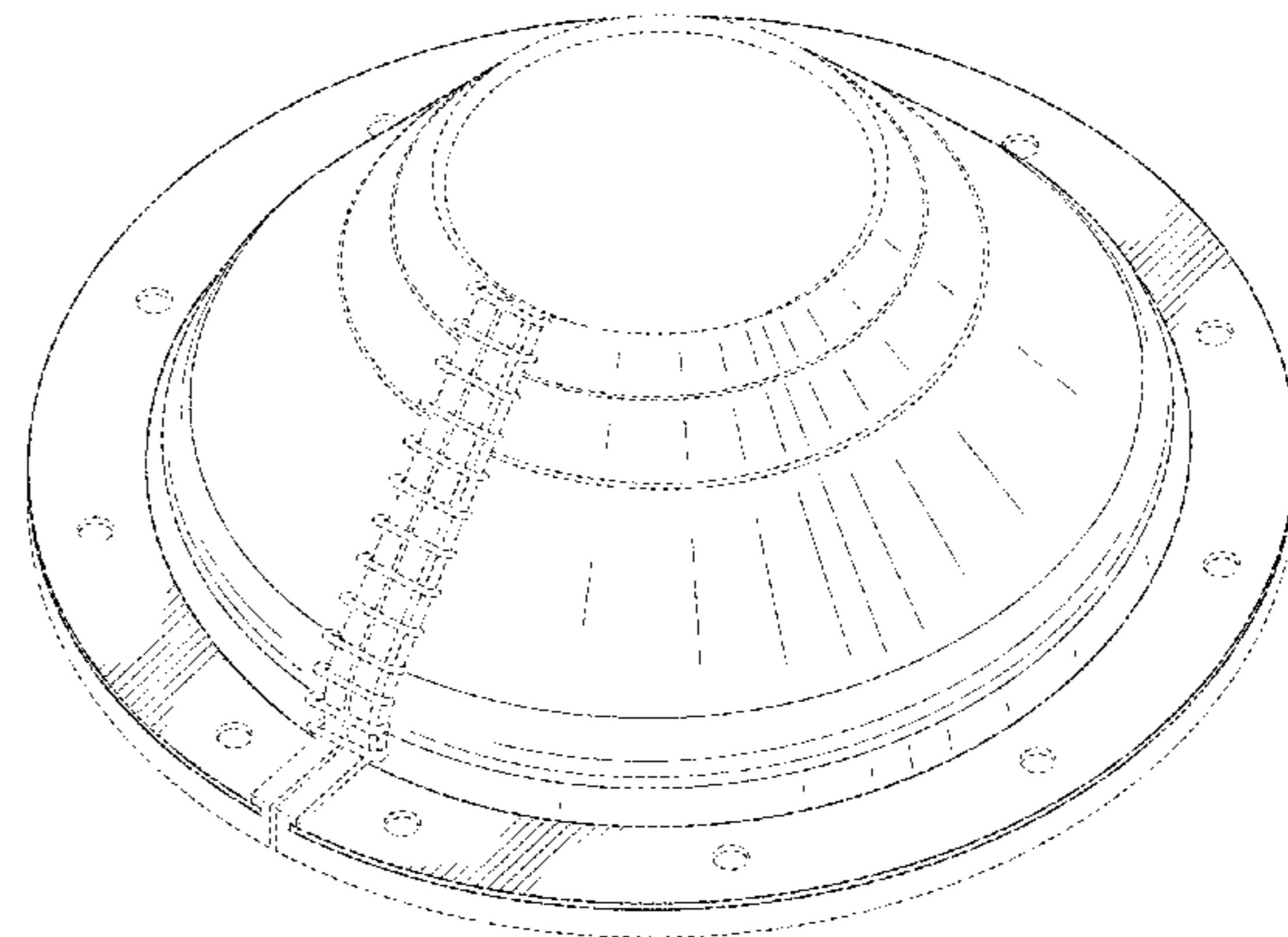
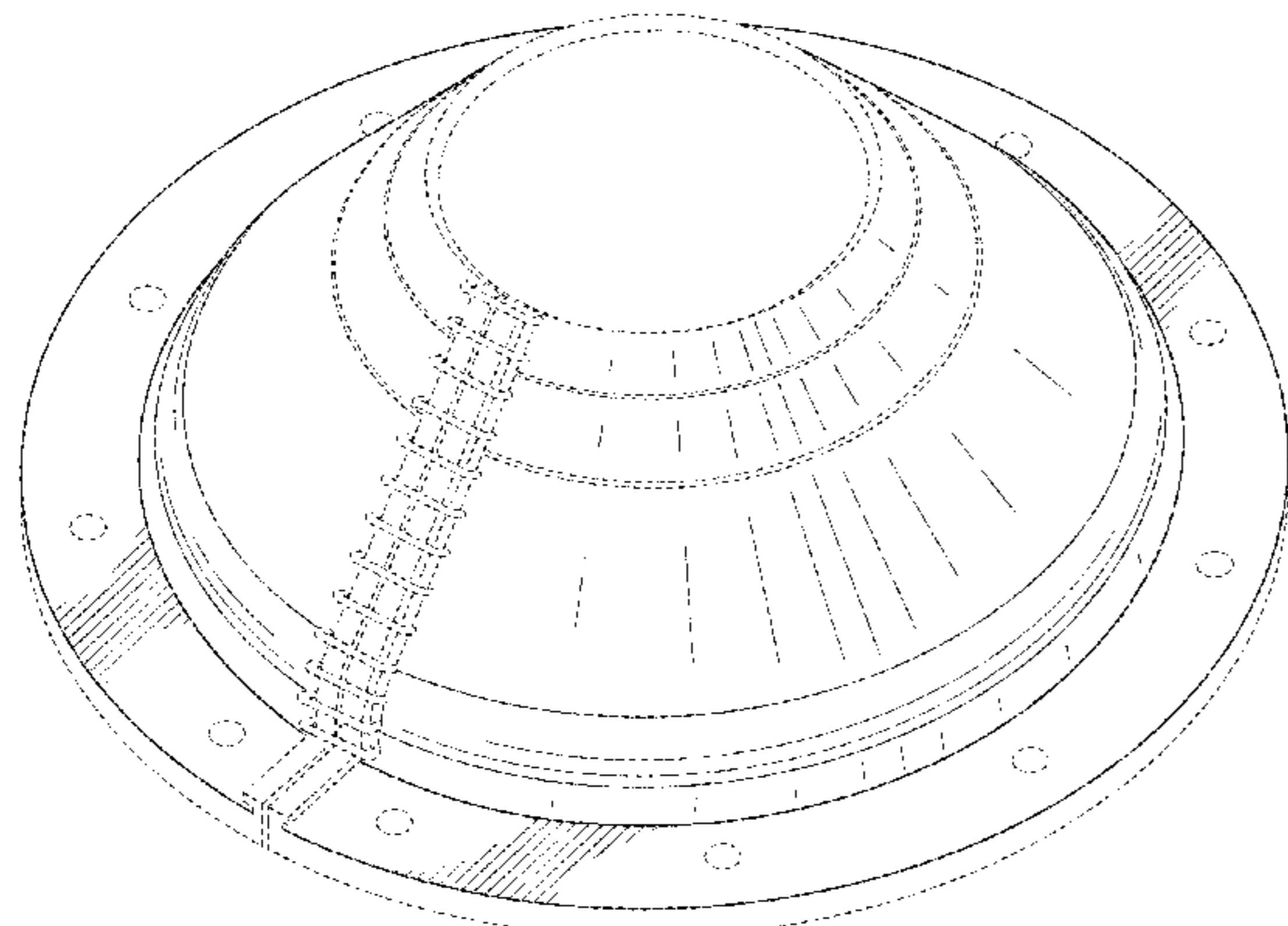
FIG. 8 is a rear view of the claimed design of FIG. 6;

FIG. 9 is a left side view of the claimed design of FIG. 6, the right side view of the claimed design is a mirror image of the left side view; and,

FIG. 10 is a top view of the claimed design of FIG. 6, the bottom view forms no part of the claimed design.

Any portion of the article depicted in broken lines forms no part of the claimed design.

1 Claim, 10 Drawing Sheets



(56)

References Cited

U.S. PATENT DOCUMENTS

3,205,760 A 9/1965 Seckerson et al.
 D216,693 S 3/1970 Dammer
 3,566,738 A 3/1971 Cupit
 3,602,530 A 8/1971 Elwart
 3,654,965 A 4/1972 Gramain
 3,677,576 A * 7/1972 Gustafson E04D 13/1471
 285/423
 3,893,919 A 7/1975 Flegel et al.
 3,977,137 A 8/1976 Patry
 4,120,129 A 10/1978 Nagler et al.
 D252,703 S 8/1979 Cupit
 4,211,423 A 7/1980 Resech
 4,333,660 A 6/1982 Cupit
 D269,454 S 6/1983 Houseman
 4,449,554 A 5/1984 Busse
 4,469,467 A 9/1984 Odill et al.
 4,519,793 A 5/1985 Galindo
 4,570,943 A 2/1986 Houseman et al.
 4,625,469 A 12/1986 Gentry et al.
 4,664,390 A 5/1987 Houseman
 D292,233 S 10/1987 Schalle
 D292,234 S 10/1987 Schalle
 D294,177 S 2/1988 Sherlock
 4,903,997 A 2/1990 Kifer
 D312,506 S 11/1990 Schalle
 5,010,700 A 4/1991 Blair
 5,018,748 A 5/1991 Schalle
 5,036,636 A 8/1991 Hasty
 D321,565 S * 11/1991 Schalle D25/199
 5,176,408 A * 1/1993 Pedersen E04D 13/1407
 285/419
 5,222,334 A 6/1993 Hasty
 5,226,263 A 7/1993 Merrin et al.
 5,248,154 A * 9/1993 Westhoff F16L 5/10
 277/606
 5,347,776 A 9/1994 Skoff
 5,414,964 A 5/1995 Bodycomb
 D364,933 S * 12/1995 Schalle D25/199
 D370,274 S 5/1996 Menzies
 5,588,267 A 12/1996 Rodriguez et al.
 D380,039 S 6/1997 Sutherland et al.
 5,703,154 A 12/1997 Davis et al.
 5,711,536 A 1/1998 Meyers
 D423,087 S 4/2000 Houseman
 6,123,339 A 9/2000 Otsuji et al.
 D436,157 S 1/2001 Houseman
 6,185,885 B1 2/2001 Thaler
 D447,222 S 8/2001 Mathers
 6,409,178 B1 6/2002 Raden et al.
 6,471,217 B1 10/2002 Hayfield et al.
 6,752,176 B1 6/2004 Price et al.
 6,830,269 B1 12/2004 Mayle
 6,866,271 B2 3/2005 MacDonald
 6,957,817 B2 10/2005 Goll
 7,021,878 B1 4/2006 Albertson et al.
 D525,685 S 7/2006 Walton
 7,114,301 B2 * 10/2006 Bibaud E04D 13/1476
 285/42
 7,140,618 B2 11/2006 Valls, Jr.

D581,777 S 12/2008 Huang
 D585,968 S 2/2009 Elkins et al.
 D593,641 S 6/2009 Plank et al.
 7,814,709 B1 10/2010 Resech
 8,141,303 B2 3/2012 McDow et al.
 8,209,923 B1 7/2012 Rich
 8,453,389 B2 * 6/2013 Selke E04D 13/1476
 52/58
 8,608,206 B2 * 12/2013 Fedale, Sr. E04D 13/1407
 277/636
 8,614,400 B2 12/2013 Aldrich et al.
 D699,328 S 2/2014 Haynes
 8,656,667 B2 2/2014 Beall
 D722,621 S 2/2015 Gray et al.
 9,206,928 B2 * 12/2015 Haynes F16L 5/02
 9,255,412 B2 * 2/2016 Haynes E04D 13/1407
 D785,768 S * 5/2017 Haynes D23/269
 D796,013 S * 8/2017 Haynes E04D 13/1407
 D23/269
 D796,014 S * 8/2017 Haynes D23/269
 D796,074 S * 8/2017 Bond D25/199
 D796,663 S * 9/2017 Mitchell D23/393
 D801,487 S * 10/2017 Haynes D23/269
 2004/0255523 A1 12/2004 Bibaud et al.
 2004/0262854 A1 12/2004 Matczak et al.
 2005/0055889 A1 3/2005 Thaler
 2006/0145428 A1 7/2006 Dudman
 2006/0179725 A1 * 8/2006 Chu E04D 13/1407
 52/82
 2006/0186607 A1 8/2006 Shih et al.
 2007/0101664 A1 5/2007 Hoy et al.
 2007/0143956 A1 6/2007 Kumakura et al.
 2008/0092844 A1 4/2008 Tsukamoto
 2009/0302545 A1 12/2009 Haynes
 2010/0059941 A1 3/2010 Beele
 2011/0140371 A1 6/2011 Strydom
 2011/0156354 A1 6/2011 Egritepe et al.
 2011/0266755 A1 11/2011 Anderson et al.
 2012/0126529 A1 5/2012 Beall
 2012/0126530 A1 * 5/2012 Fedale, Sr. E04D 13/1407
 285/42
 2012/0297573 A1 11/2012 Iwahara et al.
 2013/0020796 A1 * 1/2013 Humber E04D 13/1407
 285/44
 2013/0193652 A1 8/2013 Whitley
 2013/0328300 A1 * 12/2013 Bond B26D 3/00
 285/42
 2014/0084549 A1 3/2014 Haynes et al.
 2017/0059061 A1 * 3/2017 Haynes E04D 13/1407

FOREIGN PATENT DOCUMENTS

AU 199911298 2/2002
 CA 2104172 3/1994
 DE 29613258 9/1996
 DE 20015281 1/2001
 DE 10358668 3/2005
 FR 2862736 5/2005
 WO WO-88/09855 12/1988
 WO WO-98/09855 3/1998
 WO WO-2006/128790 A1 12/2006

* cited by examiner

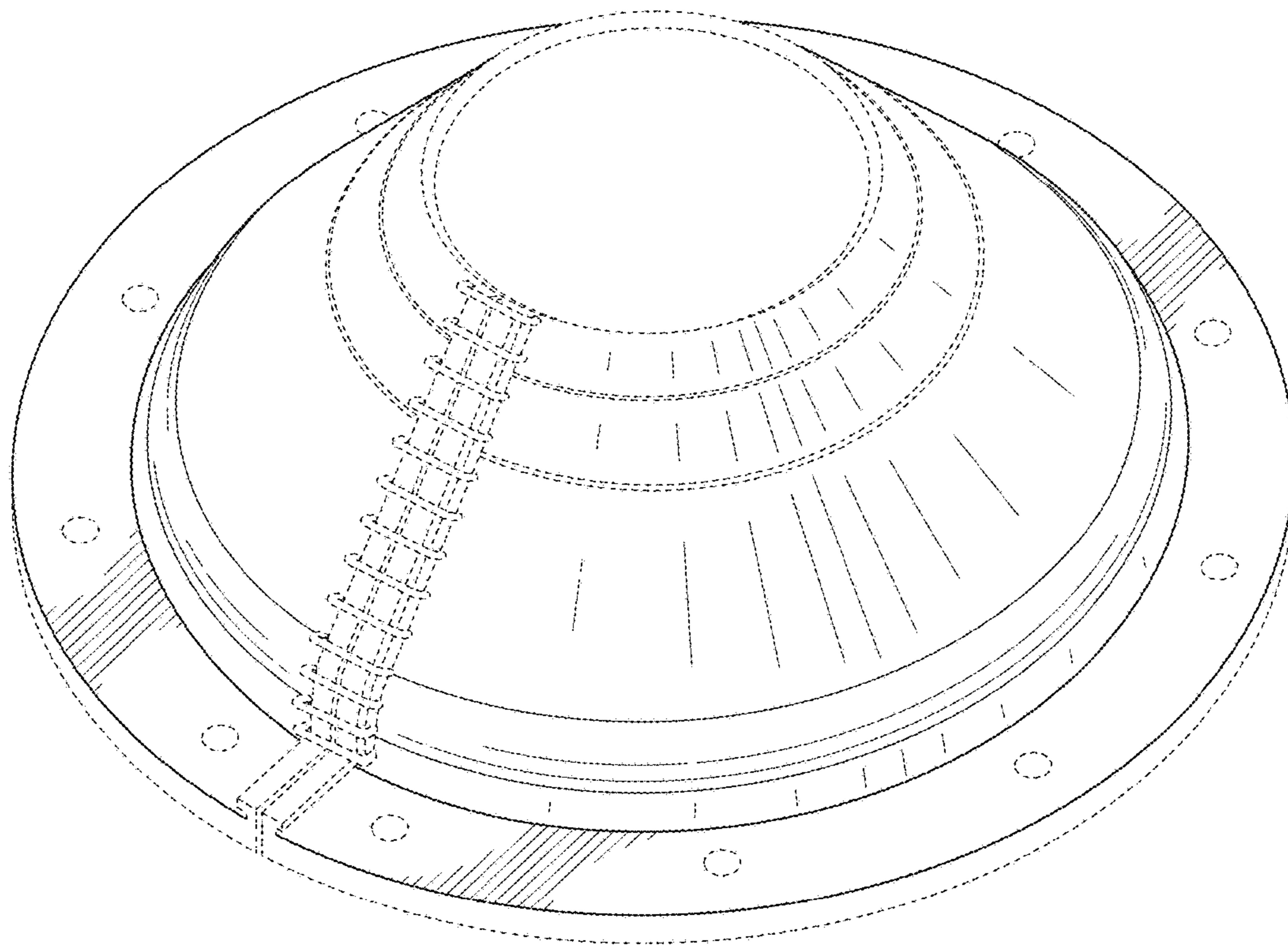


FIG. 1

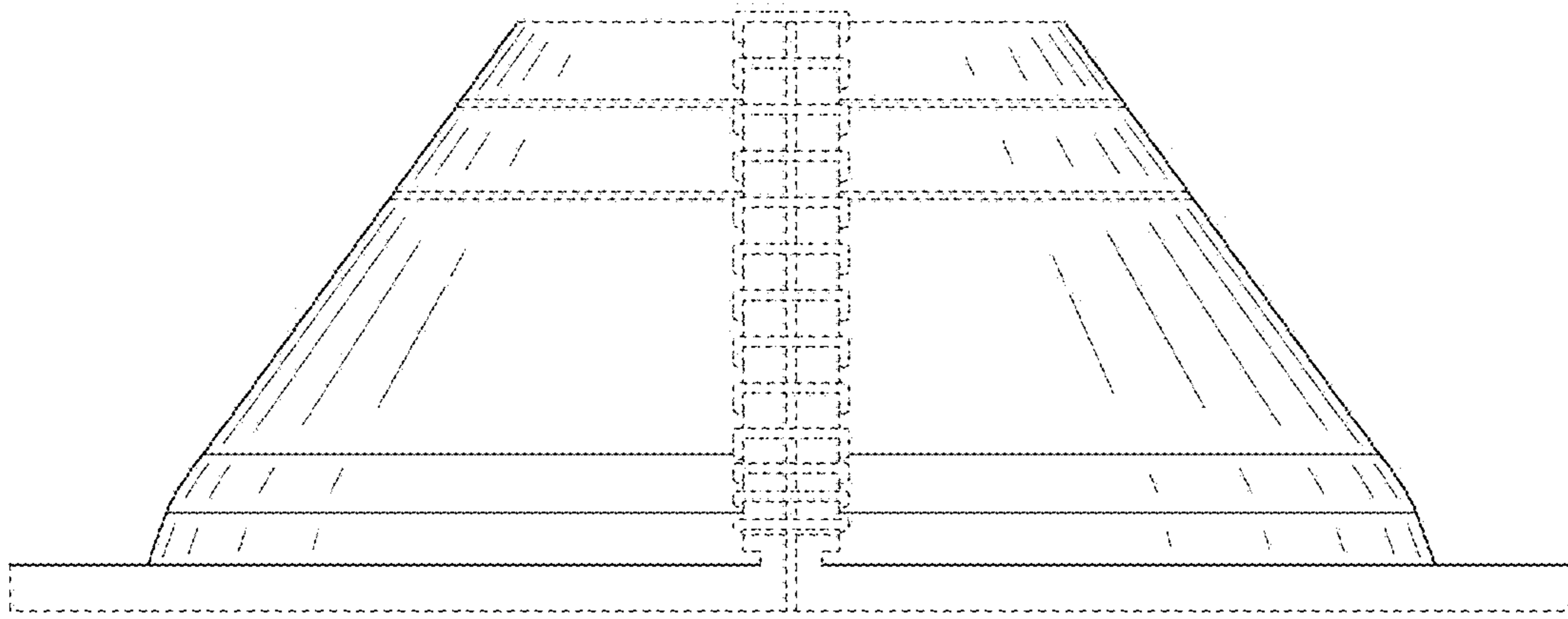


FIG. 2

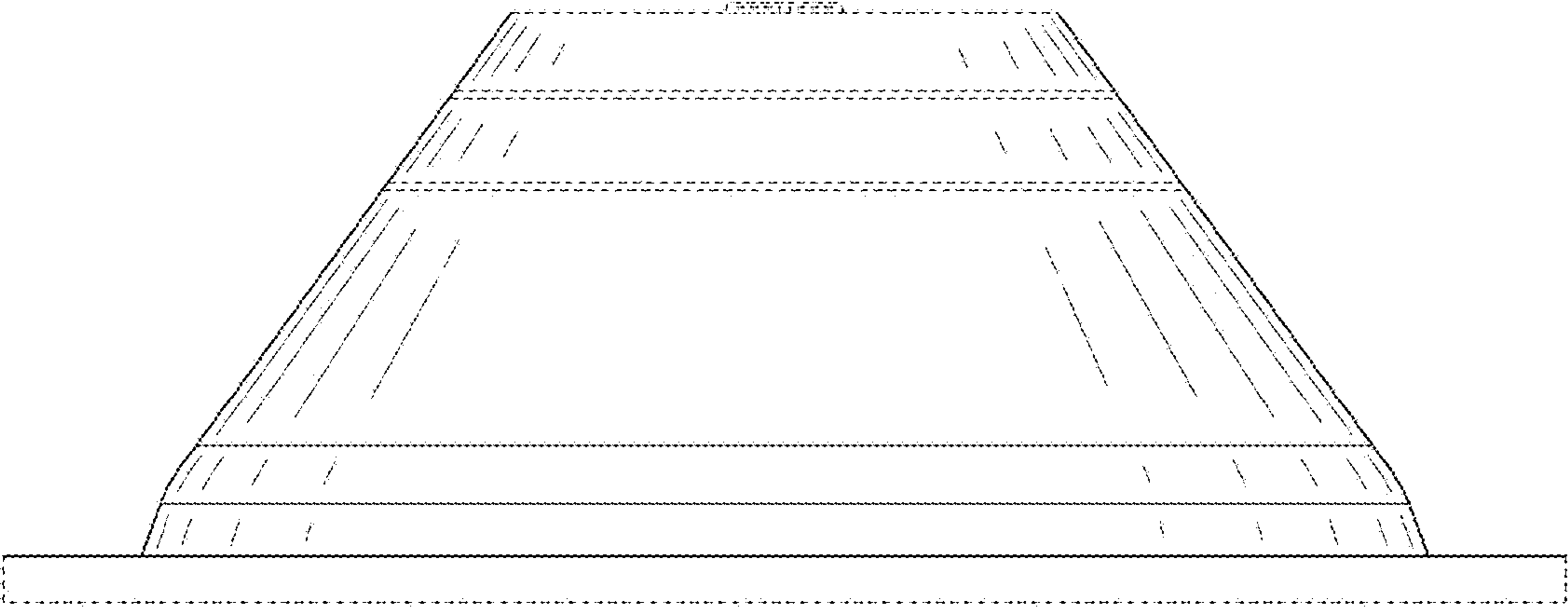


FIG. 3

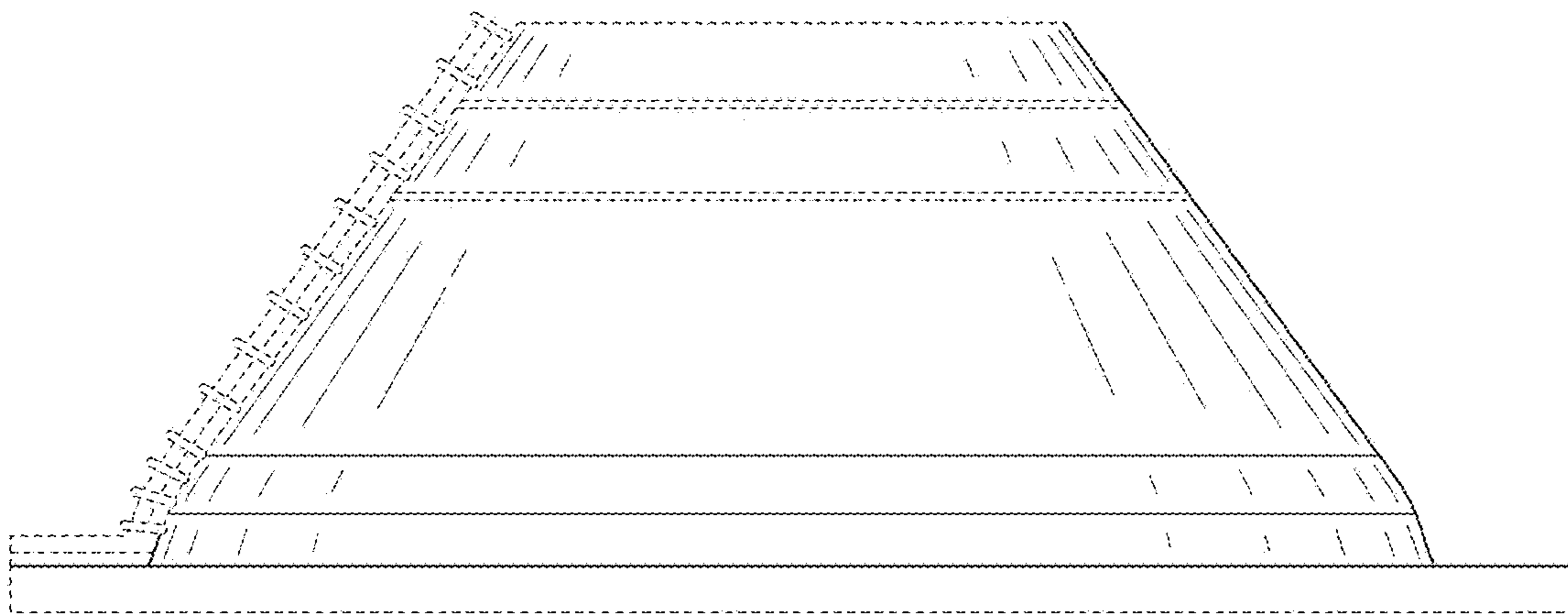


FIG. 4

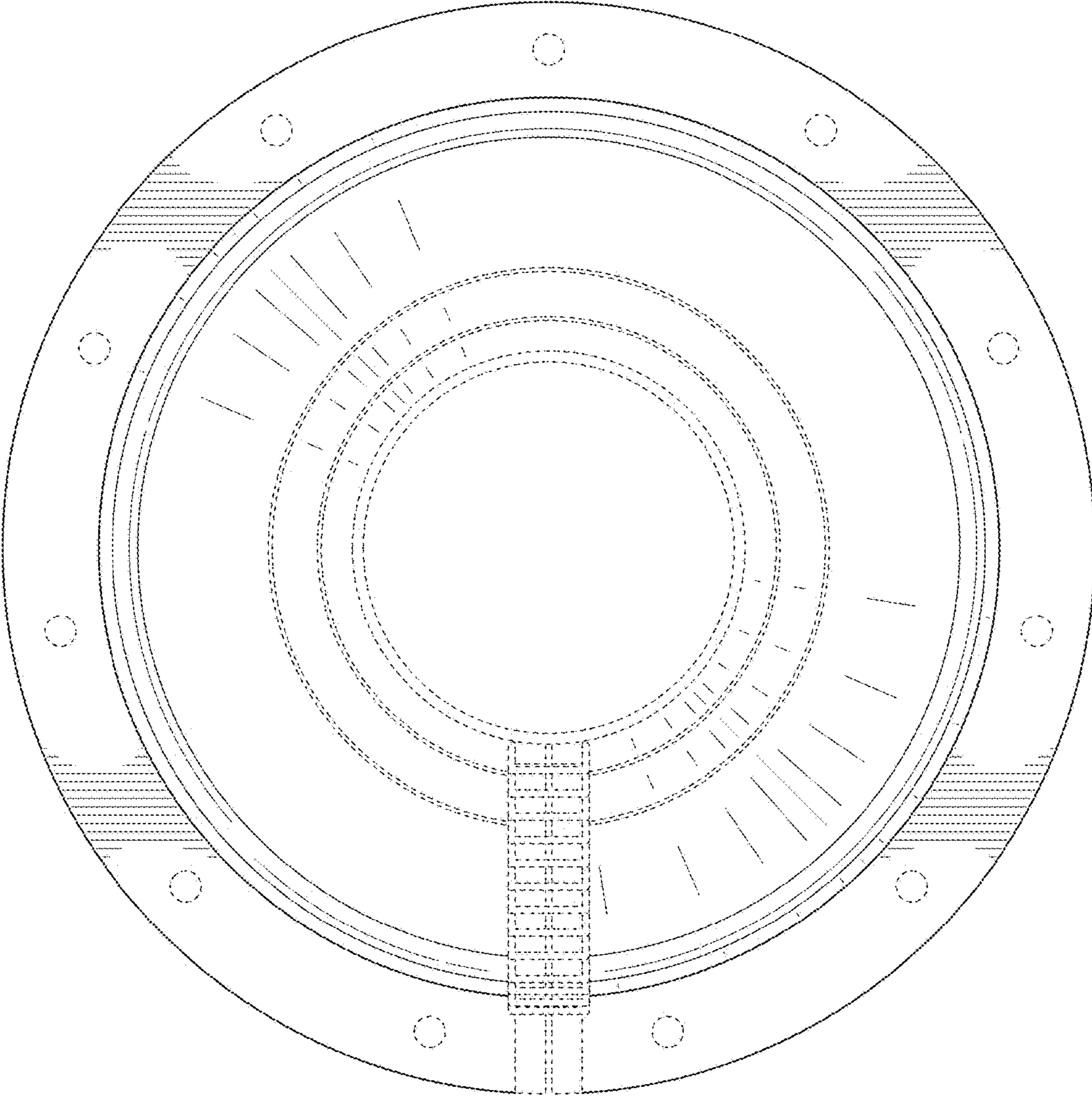


FIG. 5

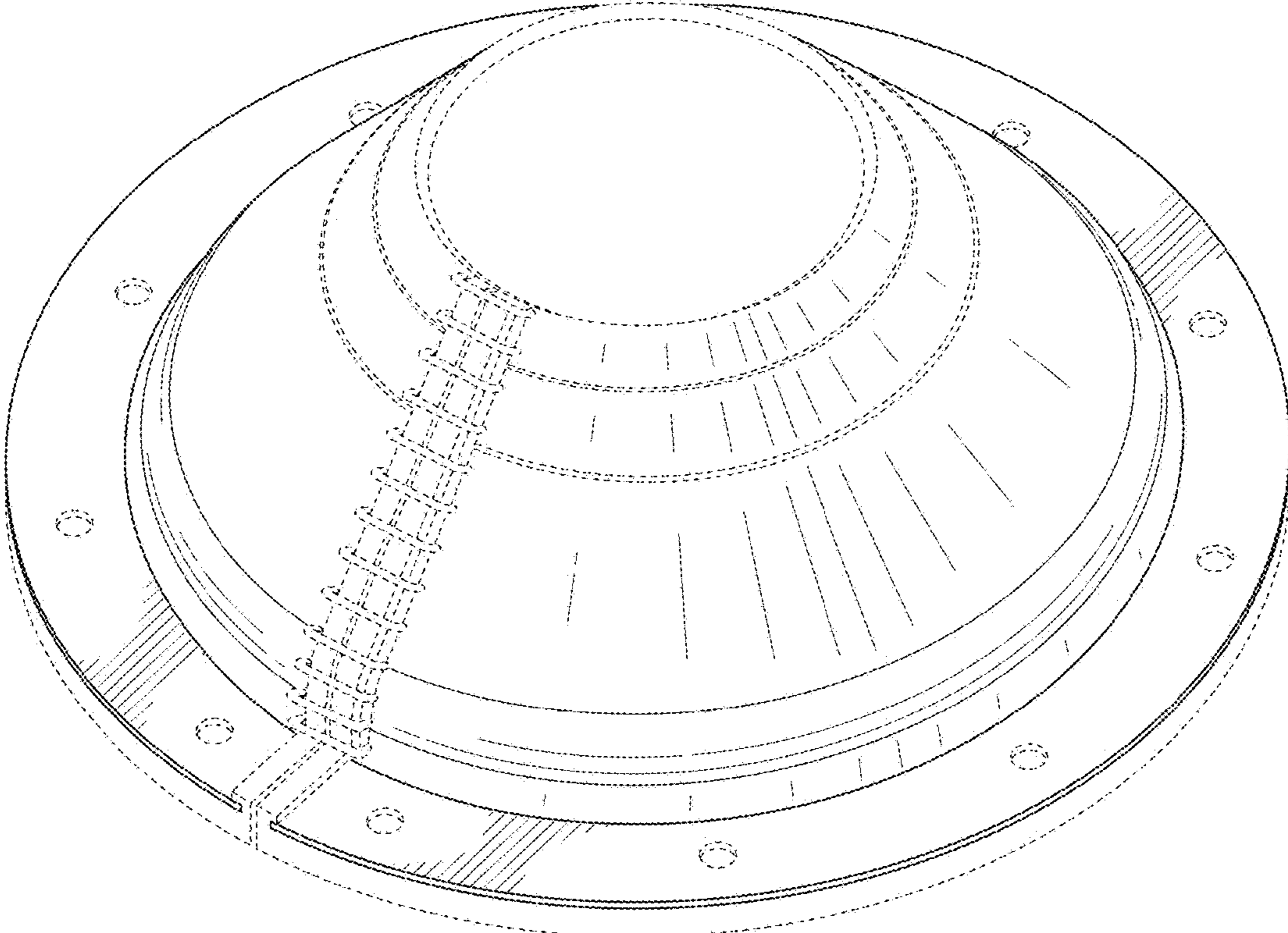


FIG. 6

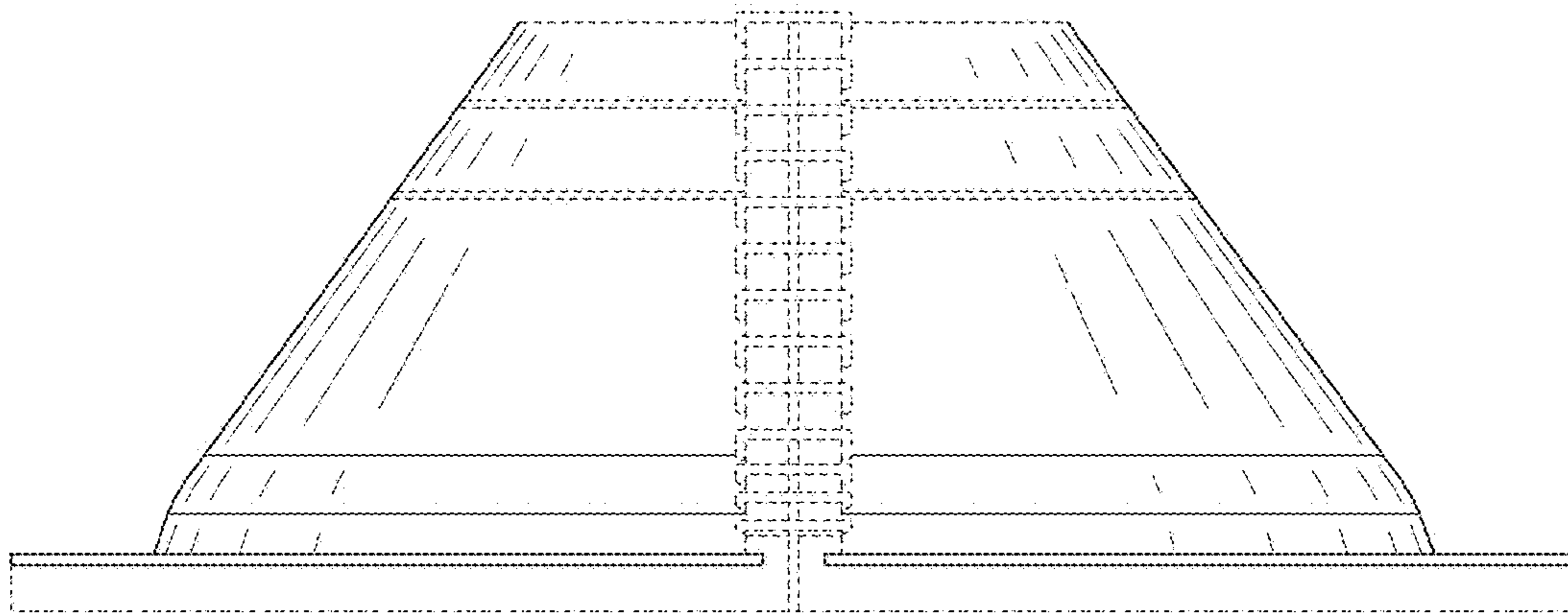


FIG. 7

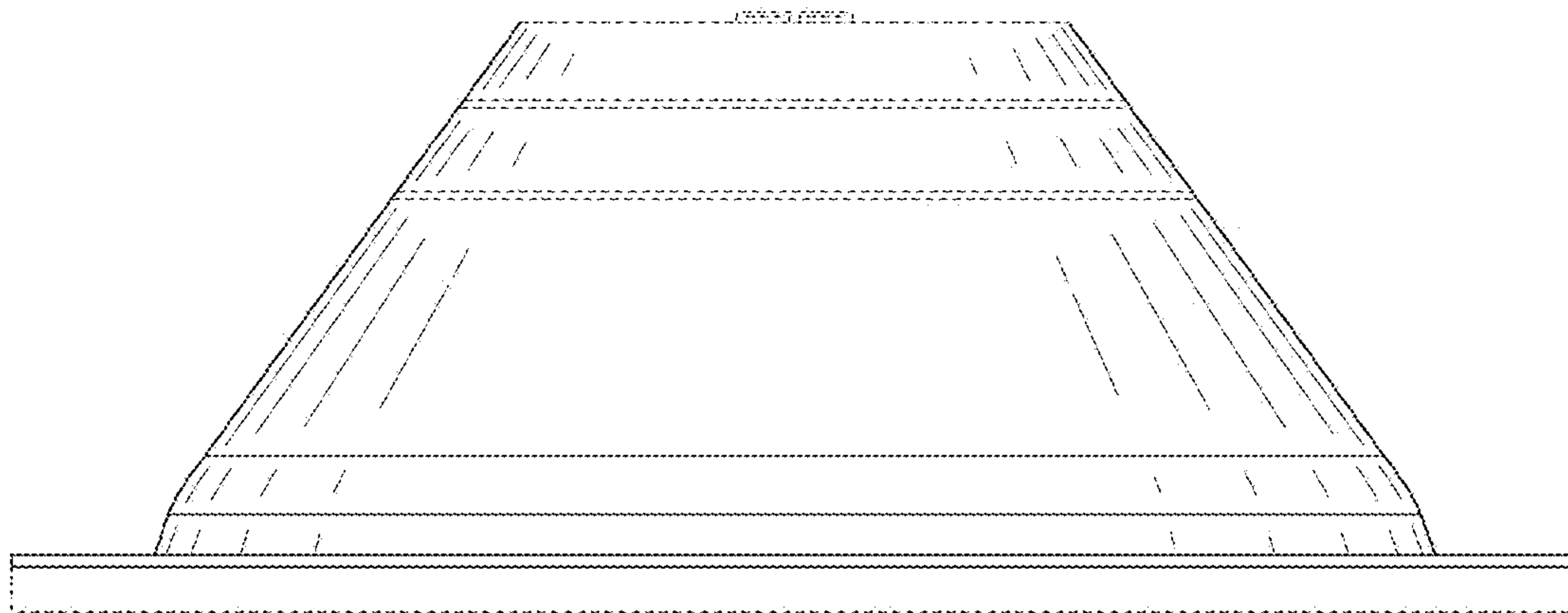


FIG. 8

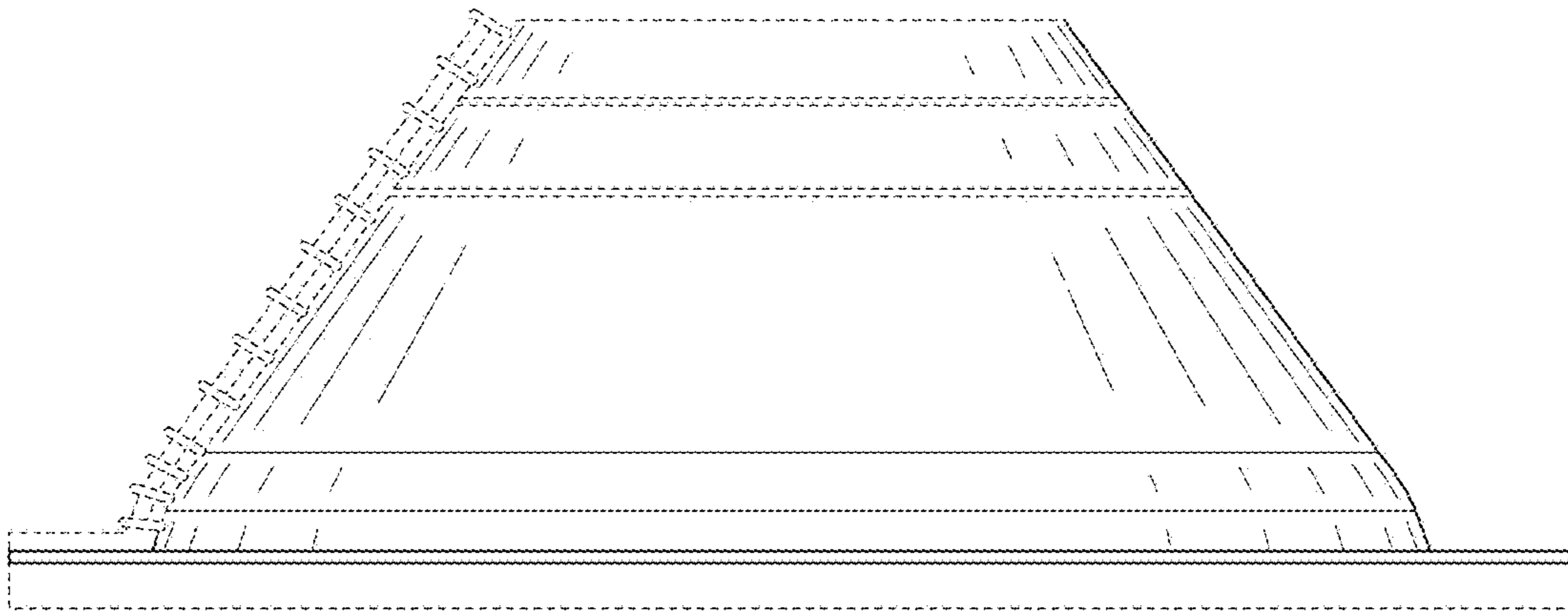


FIG. 9

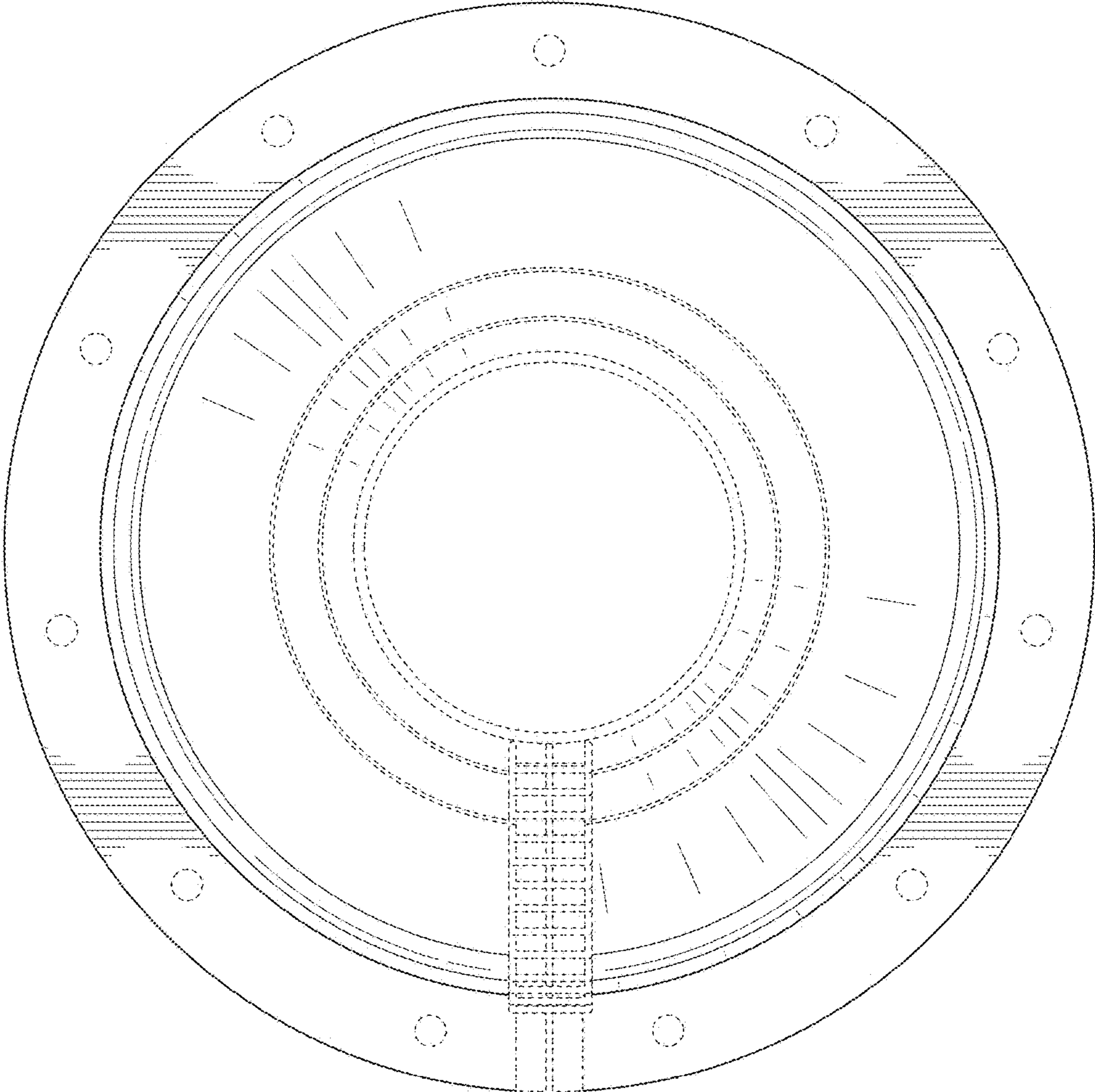


FIG. 10