



US00D840515S

(12) **United States Design Patent** (10) **Patent No.:** **US D840,515 S**
Copeland et al. (45) **Date of Patent:** **** Feb. 12, 2019**

- (54) **GASKET LOCKING SEGMENT HAVING SINGLE SPIGOT TOOTH**
- (71) Applicant: **McWane, Inc.**, Birmingham, AL (US)
- (72) Inventors: **Daniel A. Copeland**, Bessemer, AL (US); **Michael C. Keel**, Birmingham, AL (US)
- (73) Assignee: **McWane, Inc.**, Birmingham, AL (US)
- (**) Term: **15 Years**
- (21) Appl. No.: **29/607,900**
- (22) Filed: **Jun. 16, 2017**

Related U.S. Application Data

- (63) Continuation of application No. 15/151,932, filed on May 11, 2016.
- (51) **LOC (11) Cl.** **23-01**
- (52) **U.S. Cl.**
USPC **D23/269**
- (58) **Field of Classification Search**
USPC D23/259, 269, 262; 277/305, 311, 314, 277/316, 351-354, 357-358, 361-364, 277/374, 382, 393-395, 397, 399, 277/416-420, 433-434, 458, 465, 479, 277/487, 504, 512, 521, 543-549, 277/562-563, 572, 604, 632; 285/105, 285/110, 337, 339, 368, 374
CPC F16J 15/02; F16J 15/06; F16J 15/08; F16J 15/18; F16J 15/20; F16J 15/24; F16J 15/106; F16J 15/164; F16J 15/441; F16J
(Continued)

(56) **References Cited**

U.S. PATENT DOCUMENTS

- 6,688,652 B2 * 2/2004 Holmes, IV F16L 37/0845
285/105
- 7,465,100 B2 * 12/2008 Matsui F16C 33/7809
277/549

(Continued)

Primary Examiner — Eric L Goodman
Assistant Examiner — Amy C Wierenga
 (74) *Attorney, Agent, or Firm* — C. Brandon Browning;
 Maynard, Cooper & Gale, PC

(57) **CLAIM**

The ornamental design for a gasket locking segment having single spigot tooth, as shown and described herein.

DESCRIPTION

FIG. 1 is a perspective view of a first lateral side of a gasket locking segment having single spigot tooth of the present invention.

FIG. 2 is another perspective view of the first lateral side of the gasket locking segment having single spigot tooth of FIG. 1.

FIG. 3 is a perspective view of a second lateral side of the gasket locking segment having single spigot tooth of FIG. 1.

FIG. 4 is another perspective view of the second lateral side of the gasket locking segment having single spigot tooth of FIG. 1.

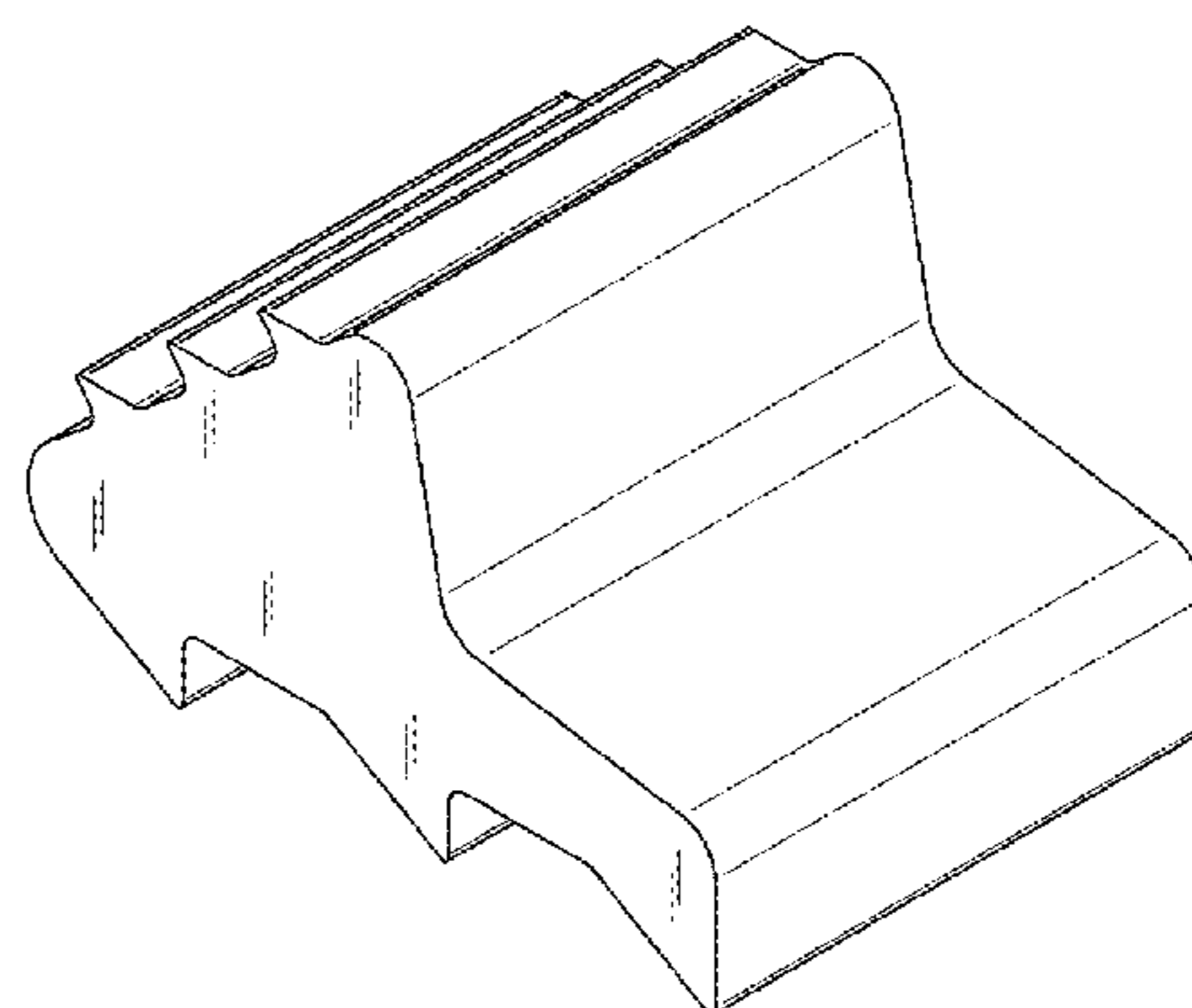
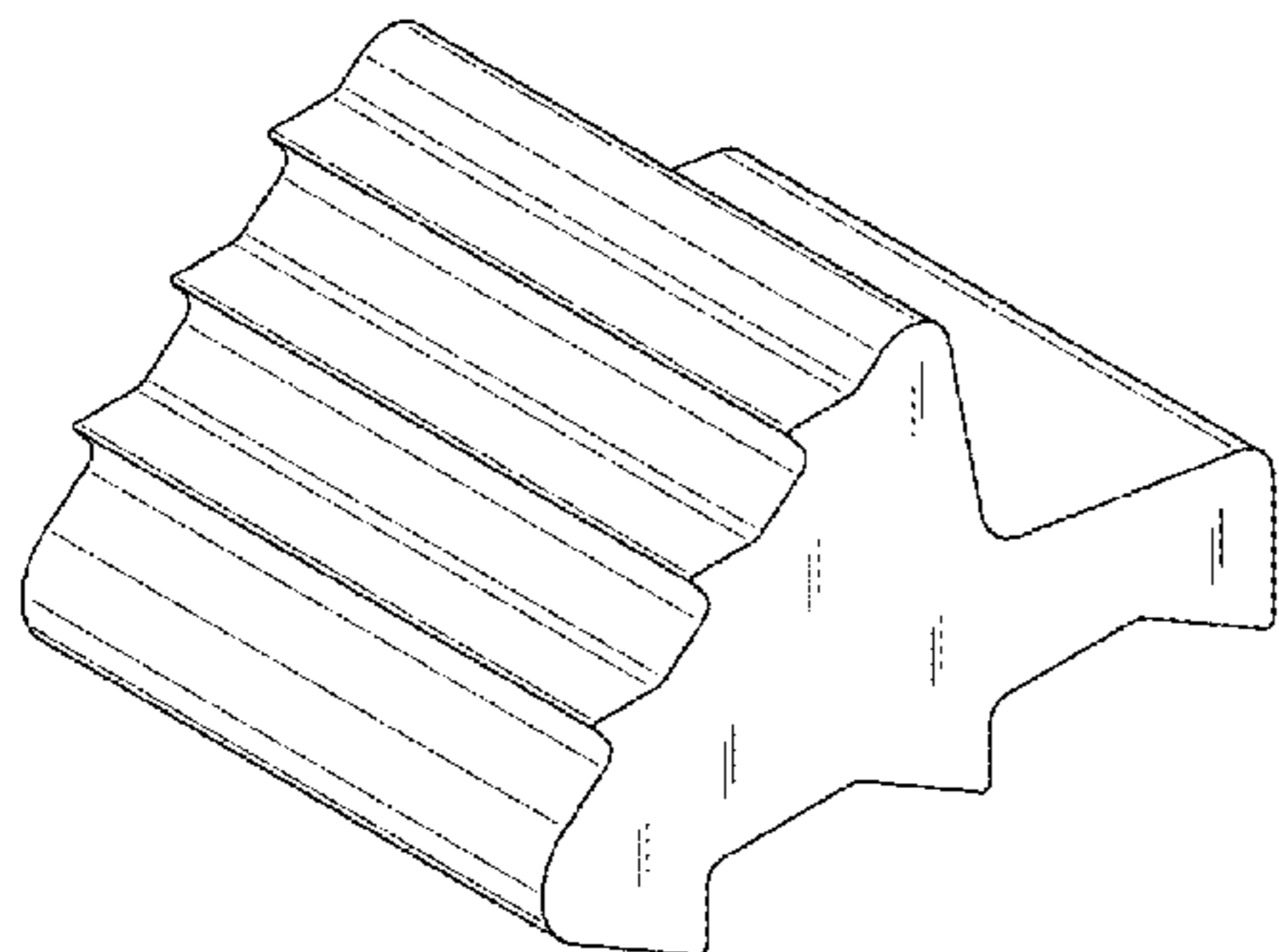
FIG. 5 is a top plan view of the gasket locking segment having single spigot tooth of FIG. 1.

FIG. 6 is a bottom plan view of the gasket locking segment having single spigot tooth of FIG. 1.

FIG. 7 is an elevational view of a front side of the gasket locking segment having single spigot tooth of FIG. 1.

FIG. 8 is an elevational view of a back side of the gasket locking segment having single spigot tooth of FIG. 1; and, FIG. 9 is an elevational view of the first lateral side of the gasket locking segment having single spigot tooth of FIG. 1 (which is a mirror image of the second lateral side).

1 Claim, 3 Drawing Sheets



(58) **Field of Classification Search**

CPC 15/025; F16J 15/10; F16J 15/061; F16J
15/002; F16J 15/102; F16J 15/104; F16L
15/121; F16L 21/007; F16L 21/08; F16L
21/035; F16L 21/04; F16L 9/045; F16L
37/0845; F16K 5/0207; F16K 5/0271;
F16K 5/0457; F16K 5/0478; F16K
5/0689

See application file for complete search history.

(56) **References Cited**

U.S. PATENT DOCUMENTS

D631,948 S * 2/2011 Yoshida D23/269
8,246,006 B2 * 8/2012 Leimer F16J 15/3456
251/214
D703,294 S * 4/2014 Witkowski D23/233
8,857,861 B2 * 10/2014 German F16L 37/0845
285/105
2002/0163193 A1 * 11/2002 Abuellet F16L 21/08
285/337
2003/0107214 A1 * 6/2003 Holmes, IV F16L 37/0845
285/105
2004/0075217 A1 * 4/2004 Copeland F16L 21/04
277/314
2004/0090013 A1 * 5/2004 Lawer F01D 11/08
277/412
2005/0230972 A1 * 10/2005 Owen F16L 21/04
285/337
2006/0279080 A1 * 12/2006 Jones F16L 37/0925
285/104
2016/0053626 A1 * 2/2016 Blaney F01D 11/20
415/1
2017/0370505 A1 * 12/2017 Copeland F16L 37/0845

* cited by examiner

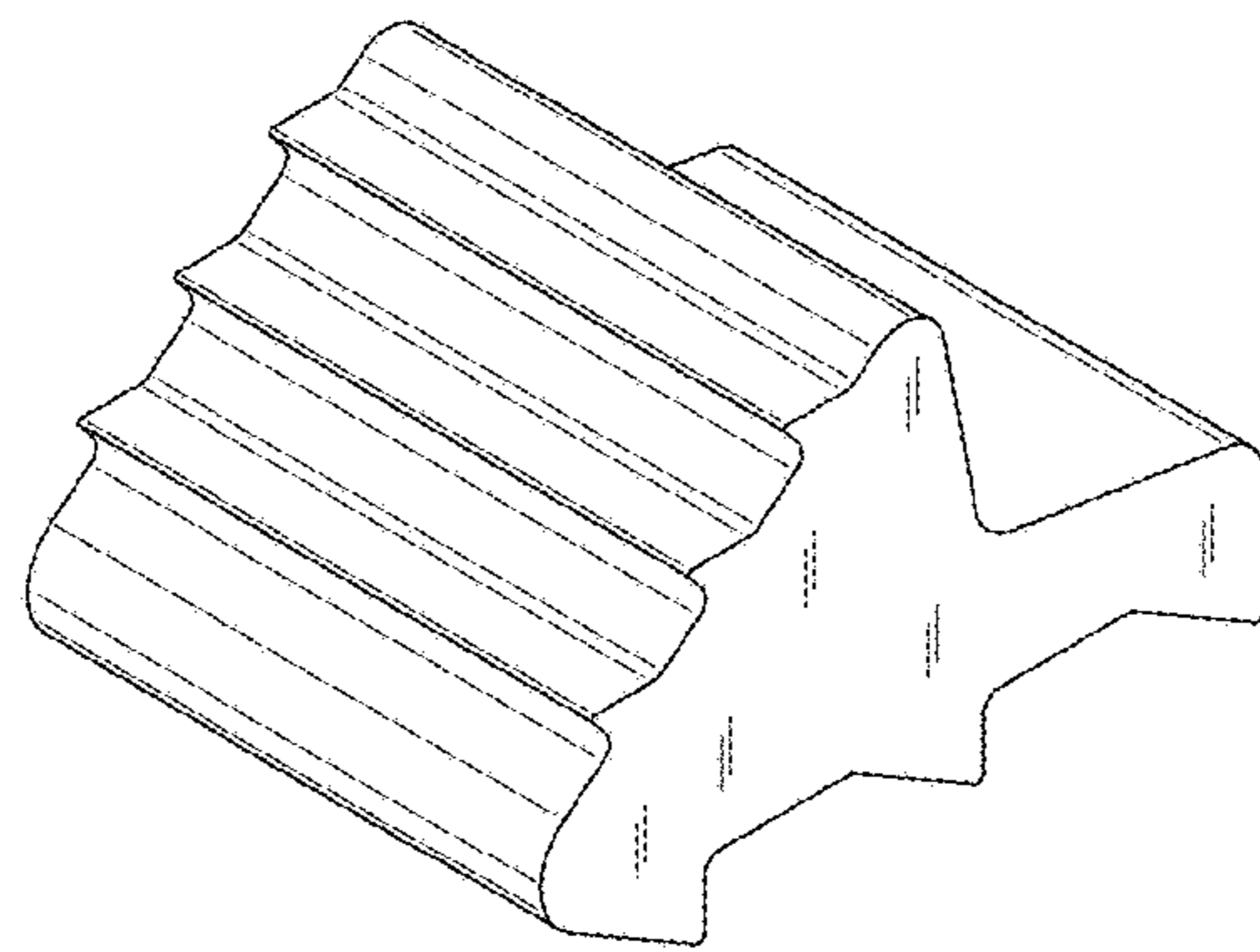


FIG. 1

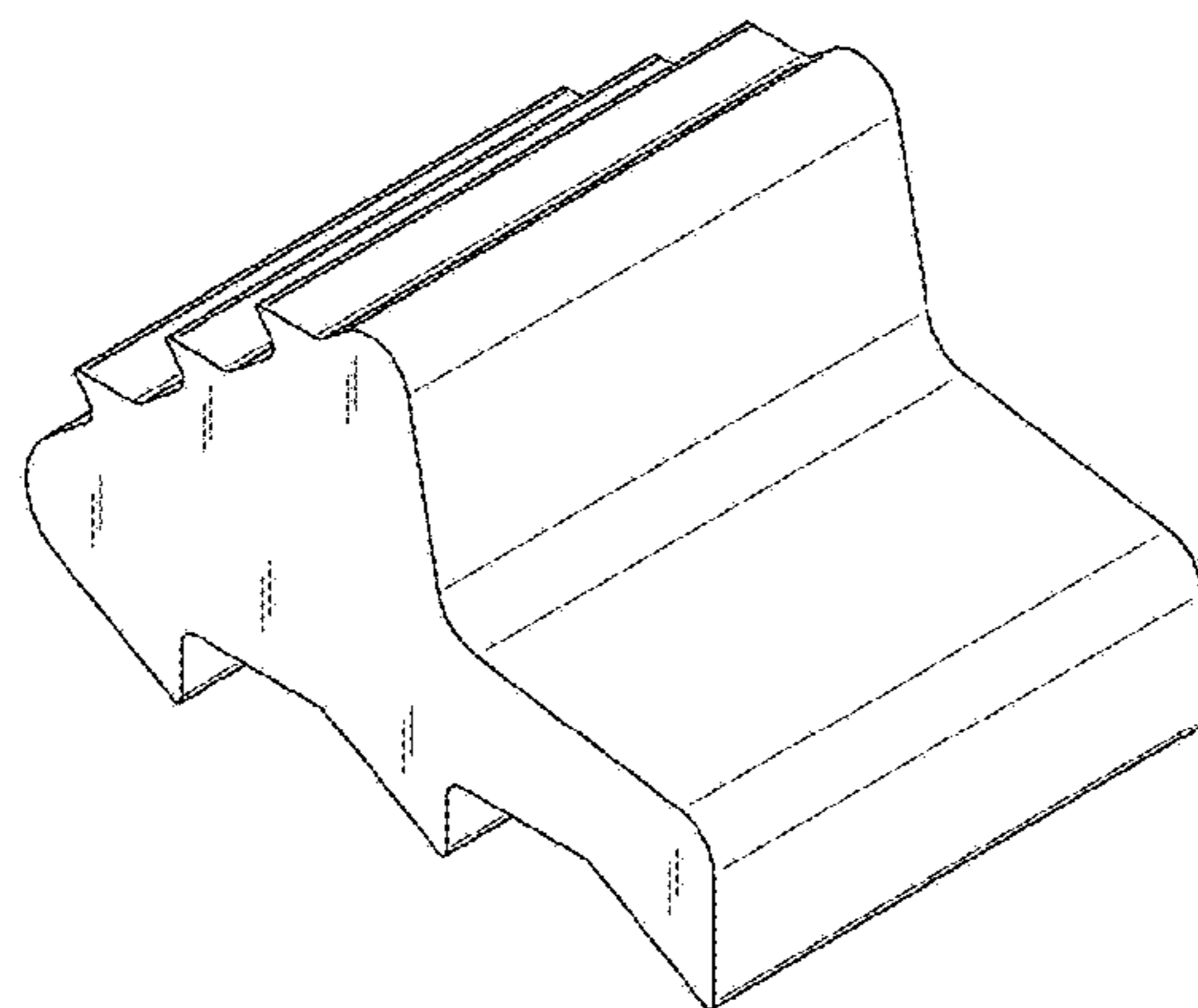


FIG. 2

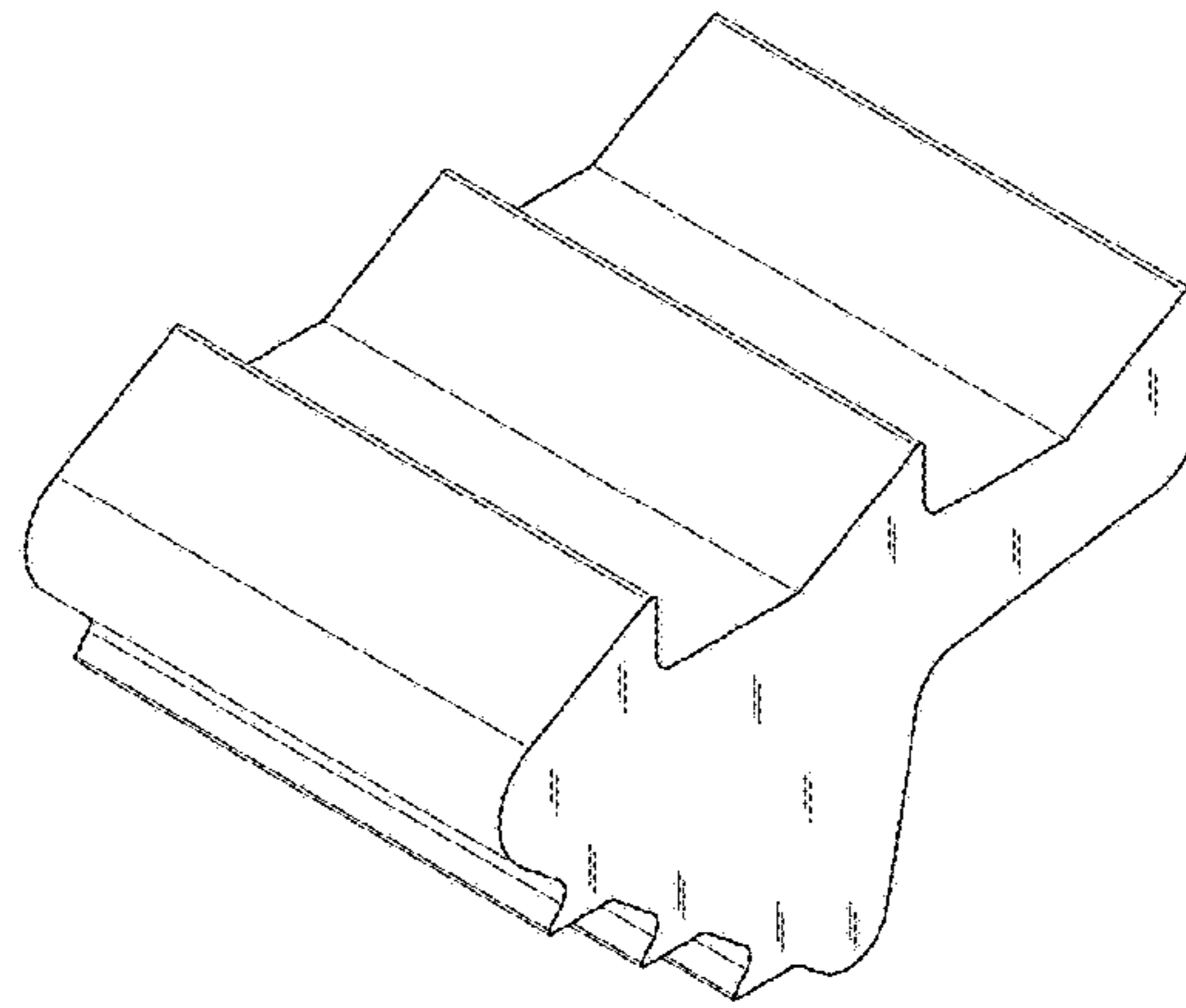


FIG. 3

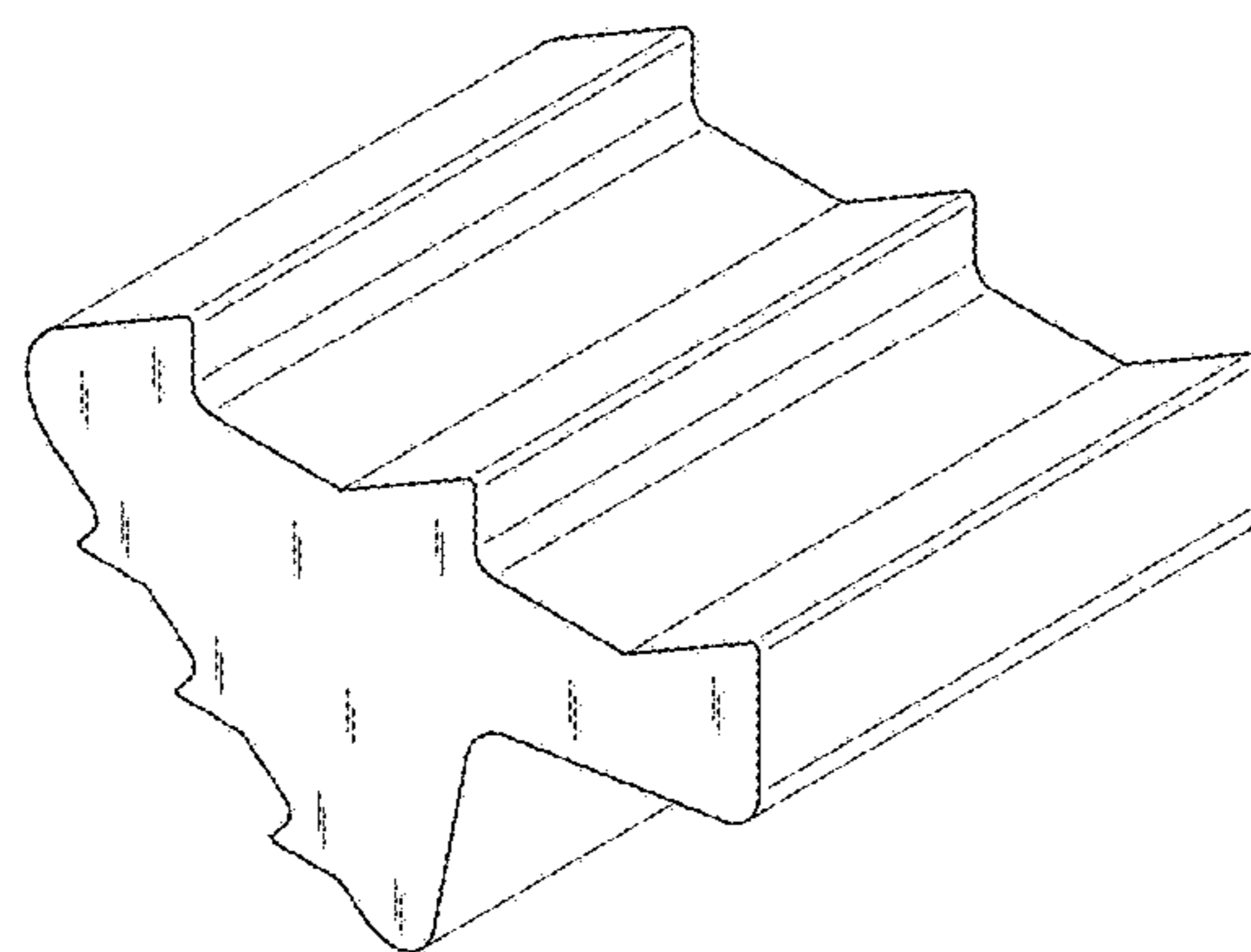


FIG. 4

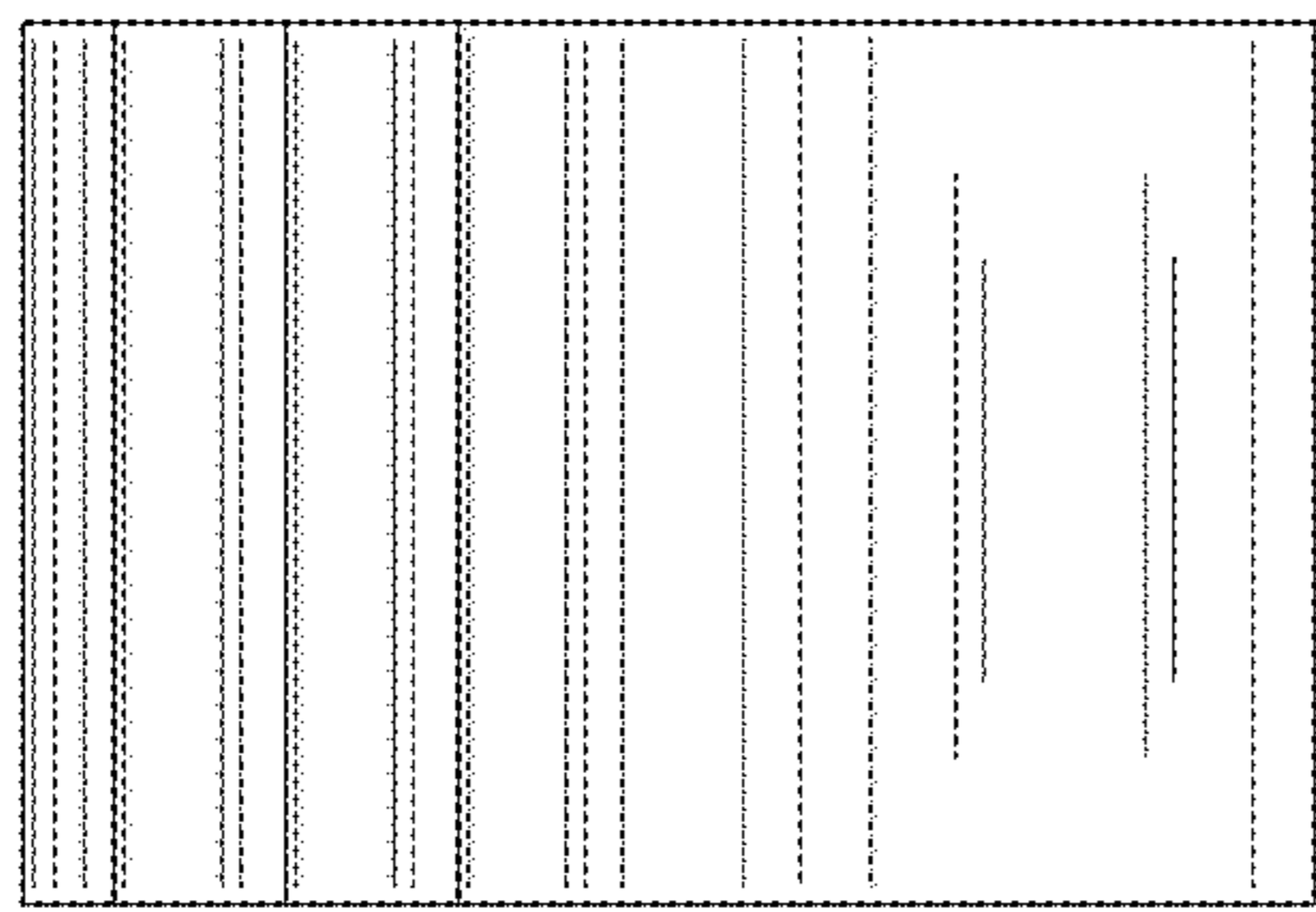


FIG. 5

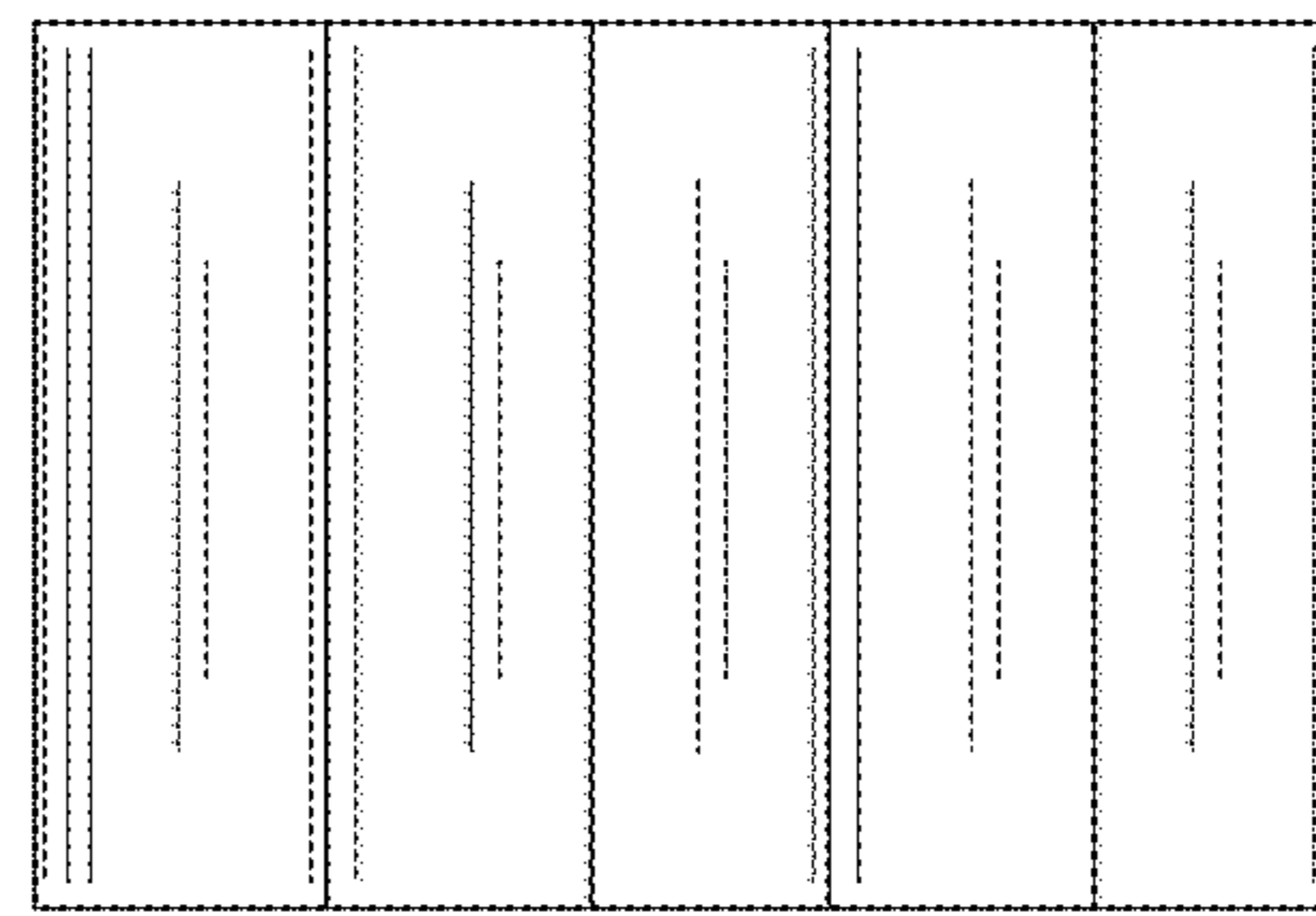


FIG. 6

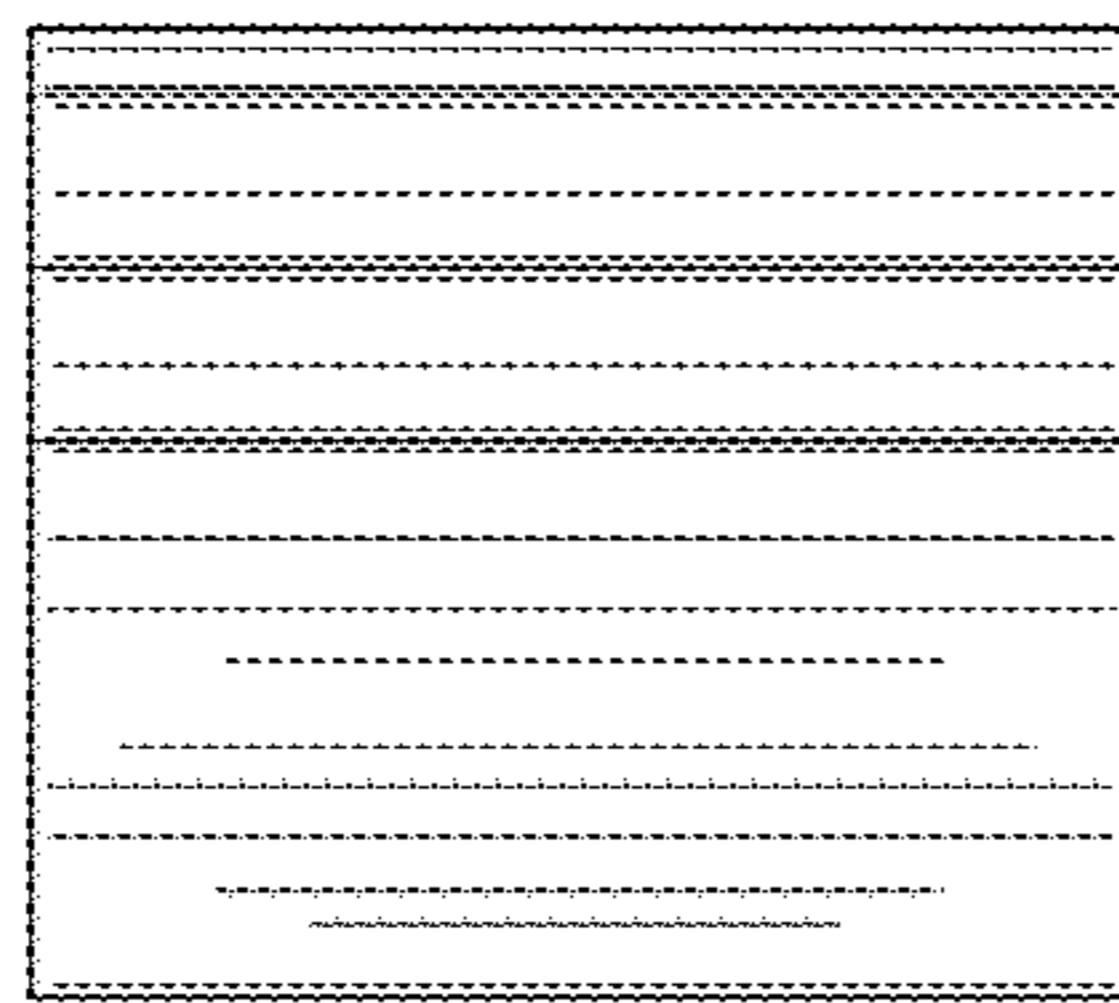


FIG. 7

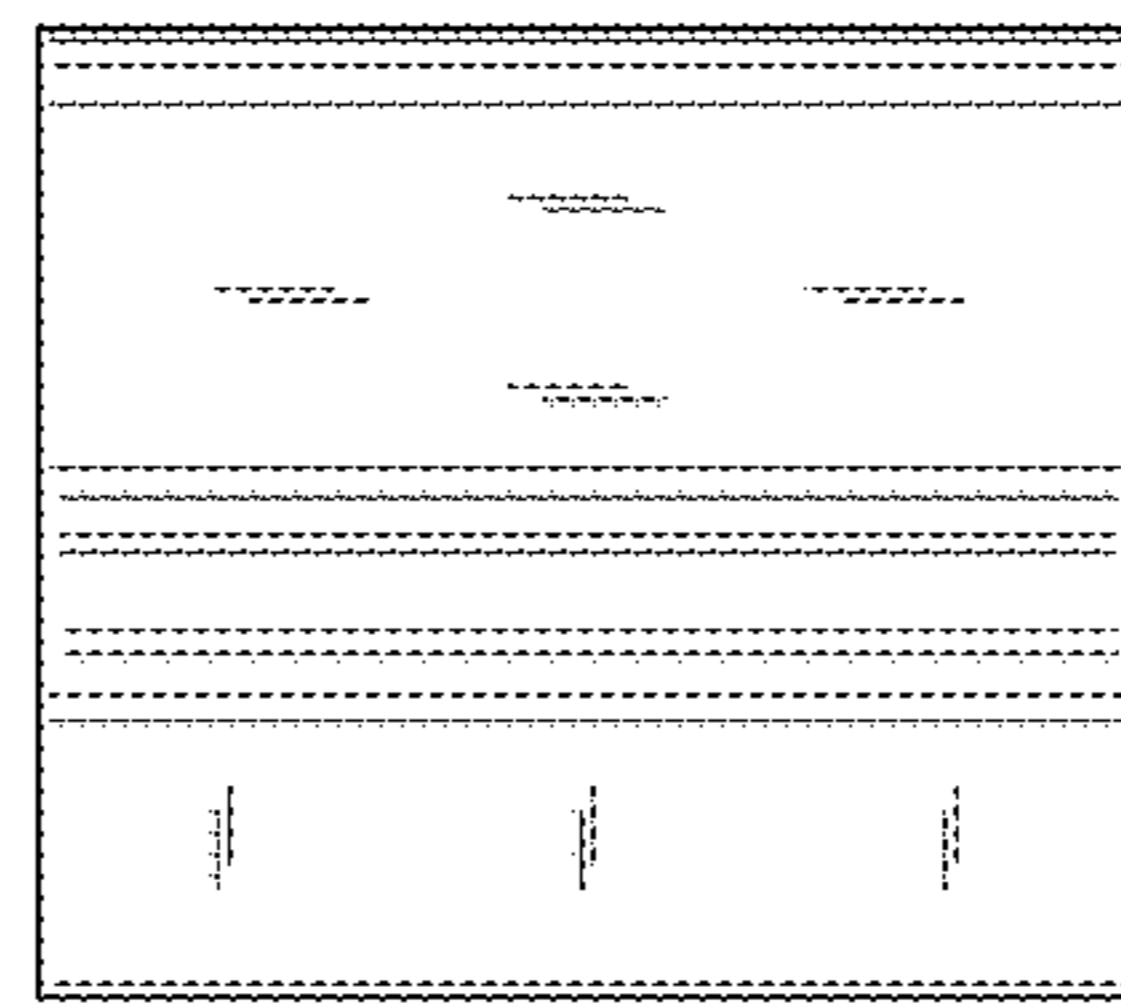


FIG. 8

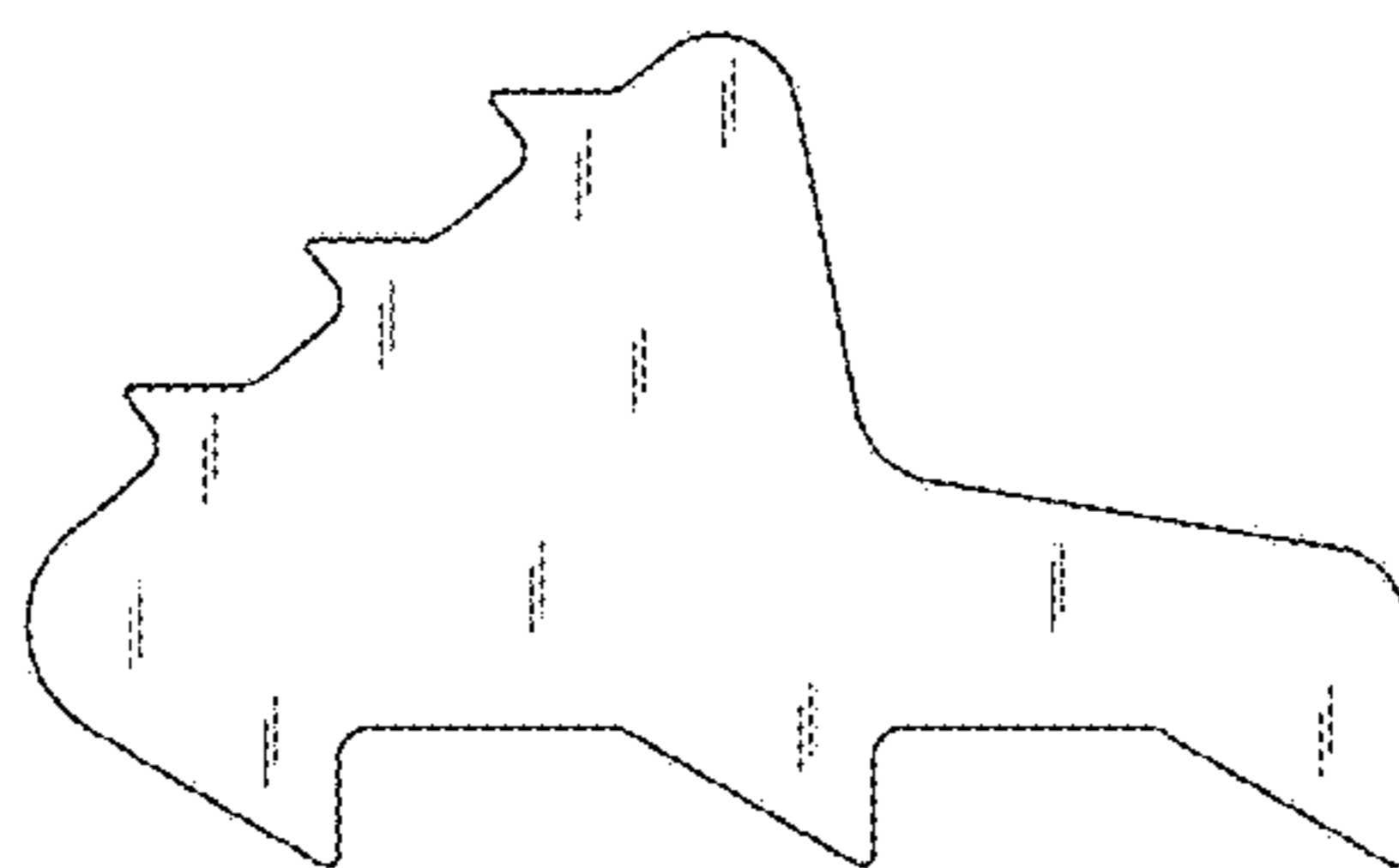


FIG. 9