



US00D840514S

(12) **United States Design Patent**
Garland

(10) **Patent No.:** **US D840,514 S**

(45) **Date of Patent:** **** Feb. 12, 2019**

(54) **FAUCET SPOUT**

(71) Applicant: **DELTA FAUCET COMPANY,**
Indianapolis, IN (US)

(72) Inventor: **Celine Kwok Garland,** Zionsville, IN
(US)

(73) Assignee: **DELTA FAUCET COMPANY,**
Indianapolis, IN (US)

(**) Term: **15 Years**

(21) Appl. No.: **29/625,003**

(22) Filed: **Nov. 6, 2017**

(51) **LOC (11) Cl.** **23-01**

(52) **U.S. Cl.**
USPC **D23/255**

(58) **Field of Classification Search**
USPC D23/238–243, 249, 255, 257
CPC E03C 1/04; E03C 1/0401; E03C 1/0402;
E03C 1/0404; Y10T 137/9464
See application file for complete search history.

(56) **References Cited**

U.S. PATENT DOCUMENTS

D518,558 S	*	4/2006	Soriano	D23/255
D533,634 S	*	12/2006	Lord	D23/238
D540,914 S	*	4/2007	Haug	D23/235
D797,258 S	*	9/2017	Schaubach	D23/255
D810,875 S	*	2/2018	Bahler	D23/238

* cited by examiner

Primary Examiner — Robert A Delehanty

(74) *Attorney, Agent, or Firm* — Edgar A. Zarins; Nirav D. Parikh

(57) **CLAIM**

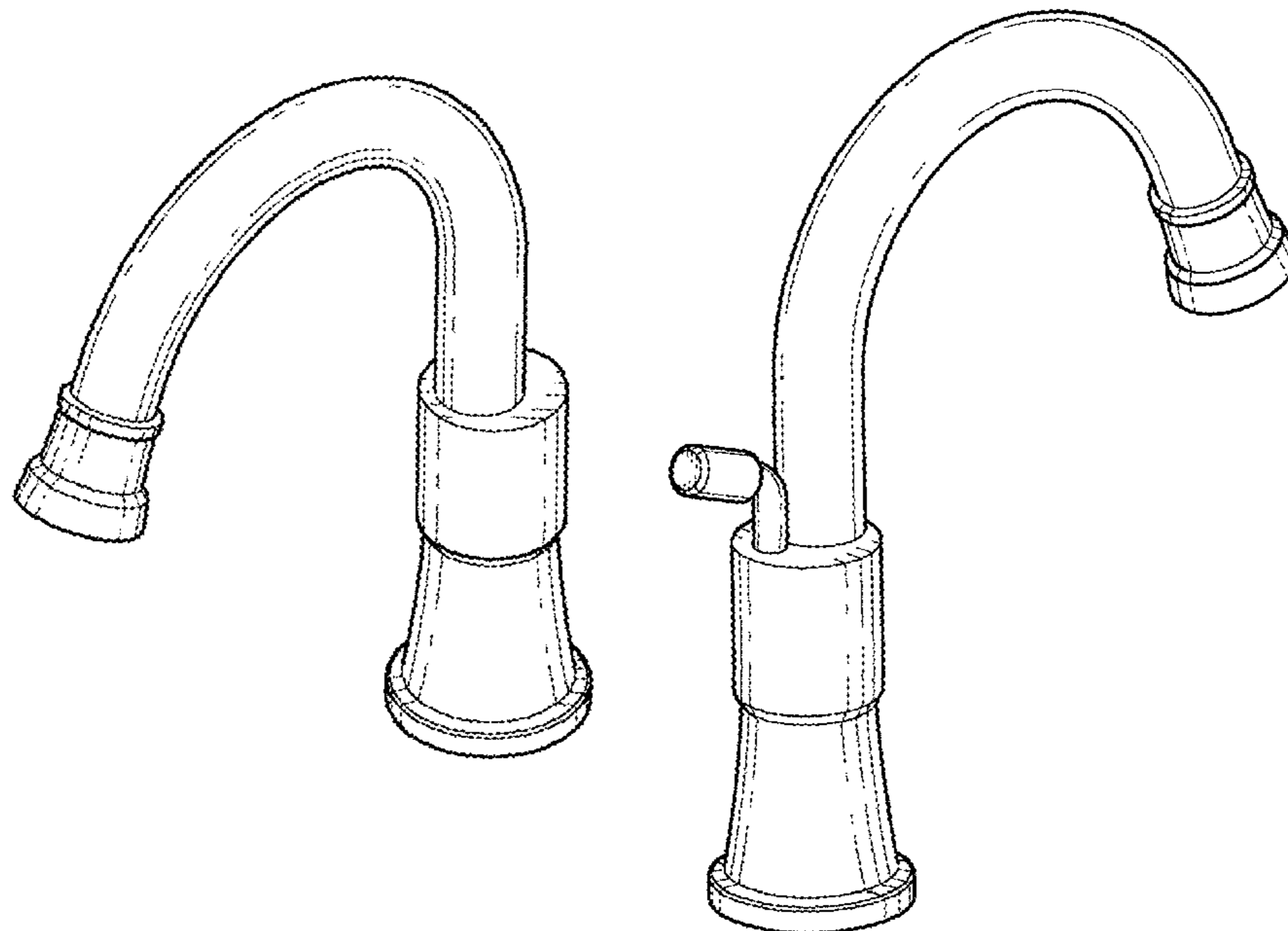
The ornamental design for a faucet spout, as shown and described.

DESCRIPTION

FIG. 1 is a rear perspective view of a faucet spout showing my new design;
 FIG. 2 is a front perspective view thereof;
 FIG. 3 is a top plan view thereof;
 FIG. 4 is a right side view thereof, the opposite side being a mirror image of the side shown;
 FIG. 5 is a bottom view thereof;
 FIG. 6 is a front elevational view thereof;
 FIG. 7 is a rear view thereof;
 FIG. 8 is a rear perspective view of an alternative embodiment thereof;
 FIG. 9 is a front perspective view thereof;
 FIG. 10 is a top plan view thereof;
 FIG. 11 is a right side view thereof, the opposite side being a mirror image of the side shown;
 FIG. 12 is a bottom view thereof;
 FIG. 13 is a front elevational view thereof; and,
 FIG. 14 is a rear view thereof.

The broken-line disclosure in the view represents a portion of the faucet spout in which the claimed design is embodied, but which forms no part of the claimed design.

1 Claim, 6 Drawing Sheets



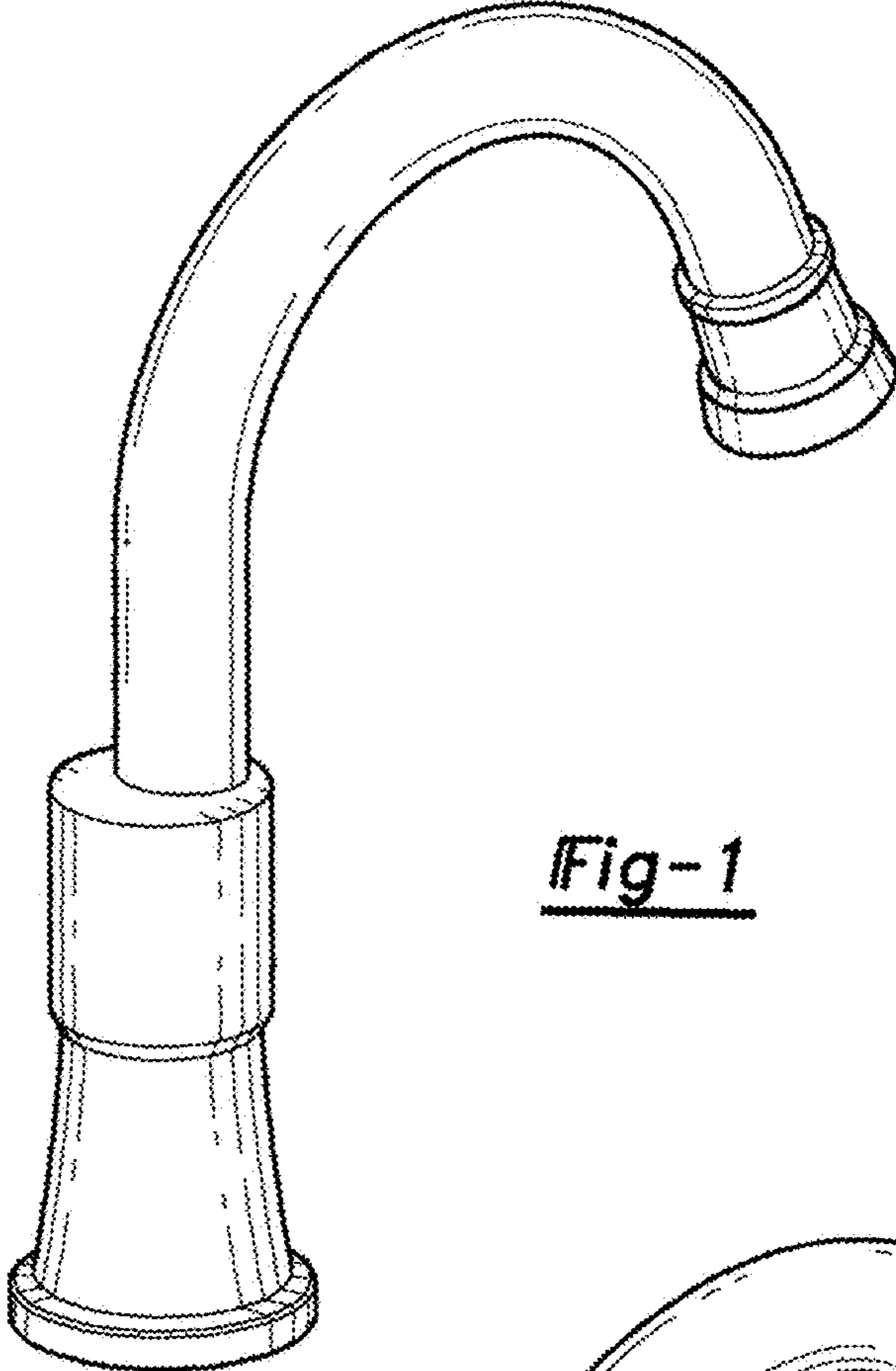


Fig-1

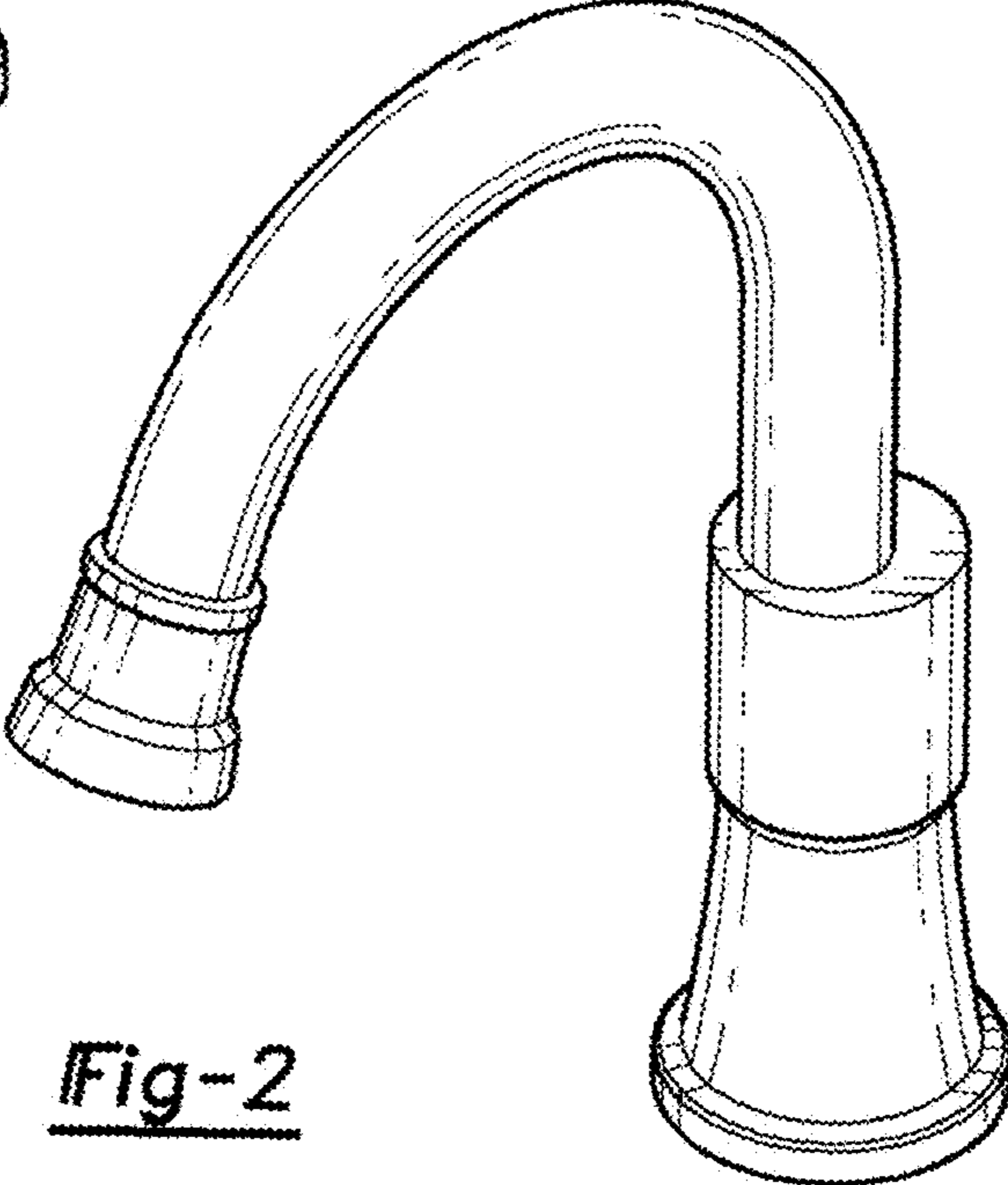


Fig-2

Fig-3

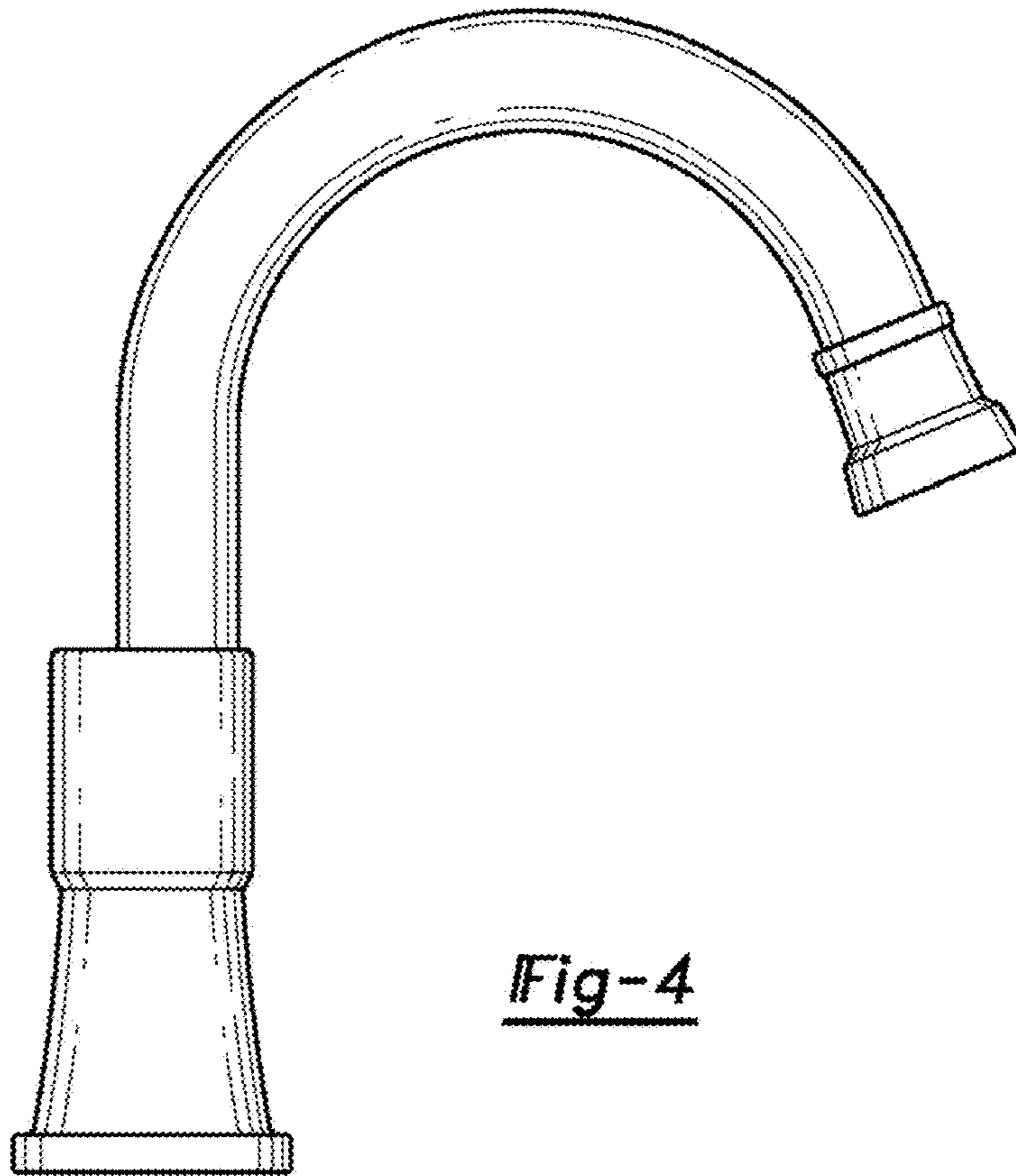
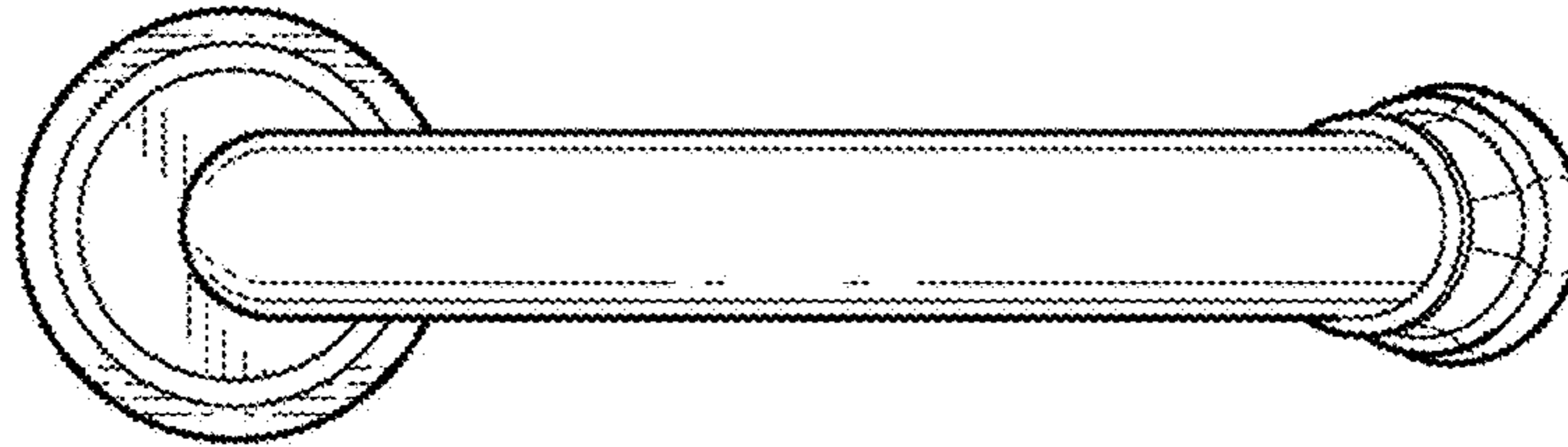


Fig-4

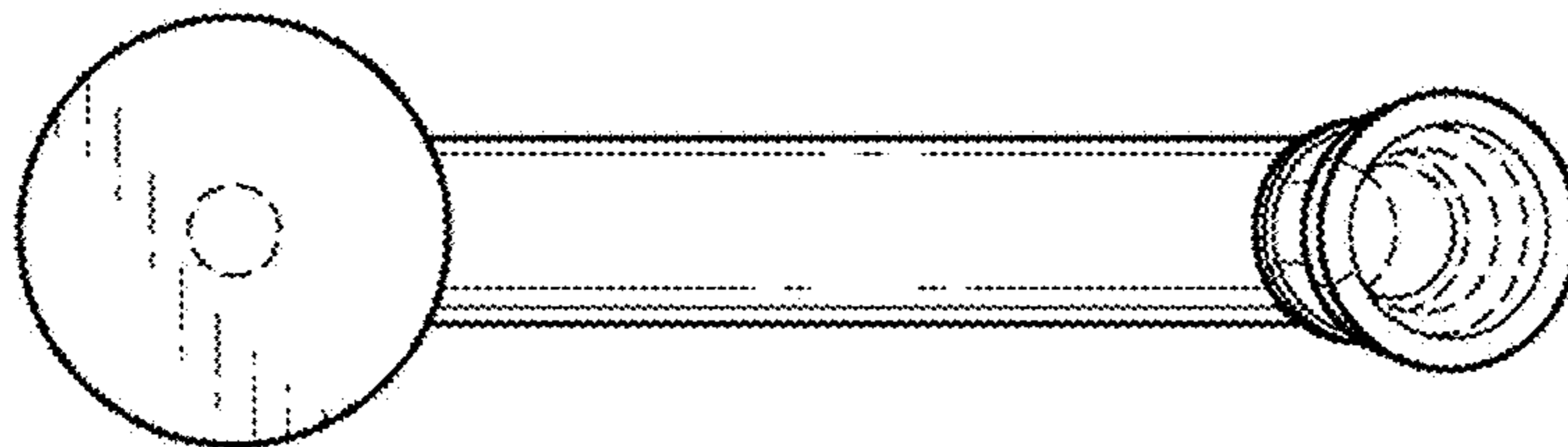


Fig-5

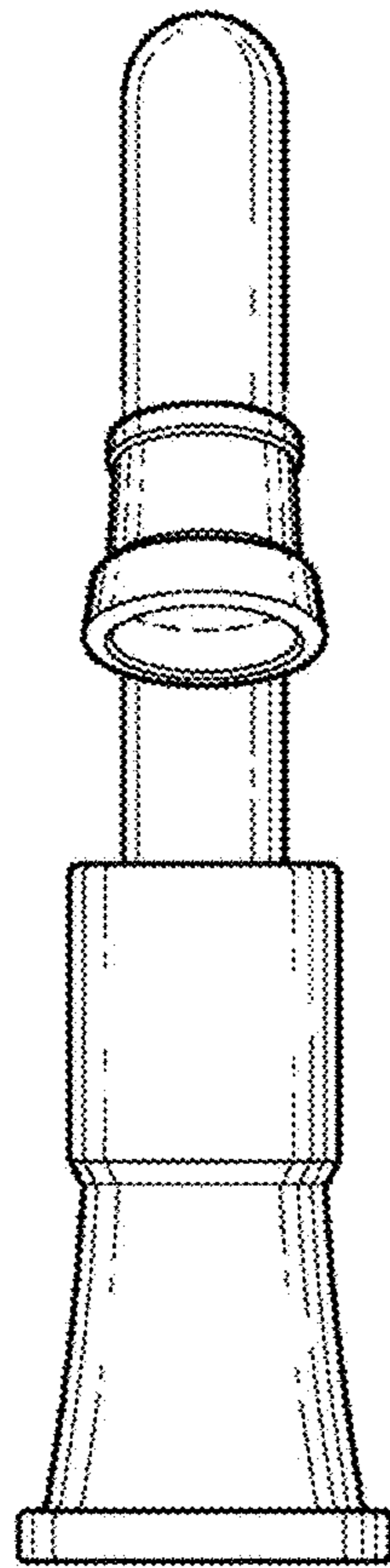


Fig-6

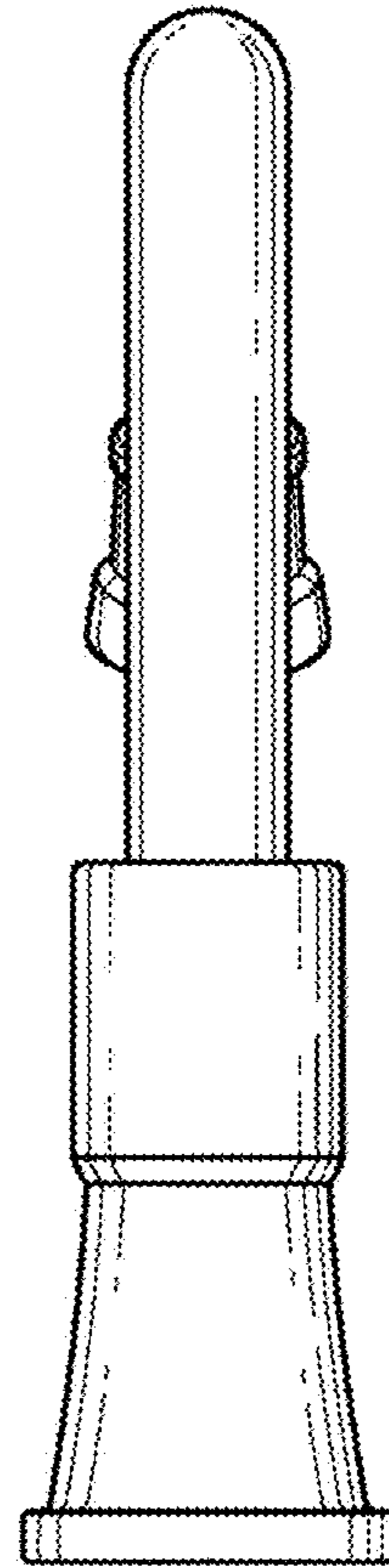


Fig-7

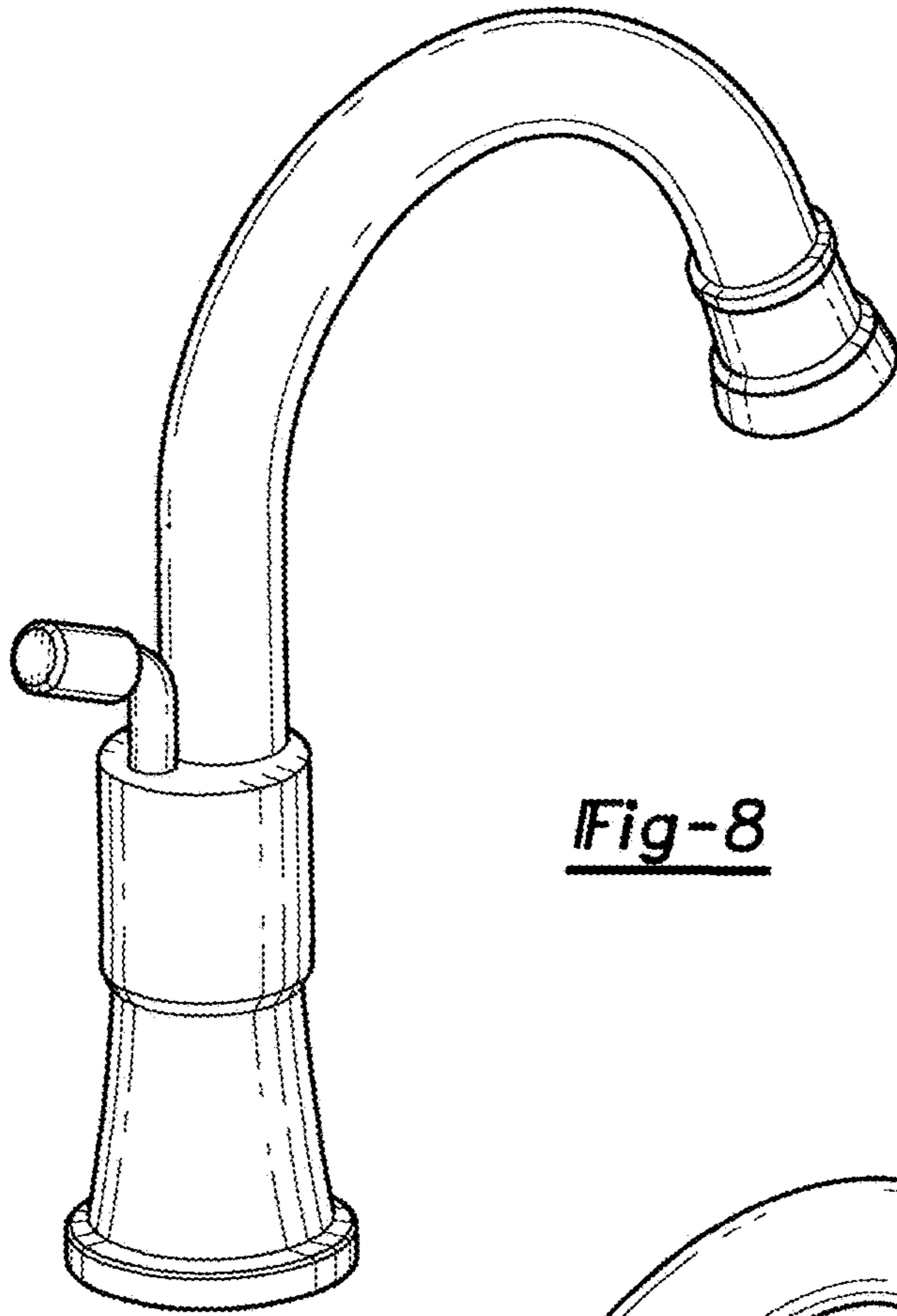


Fig-8

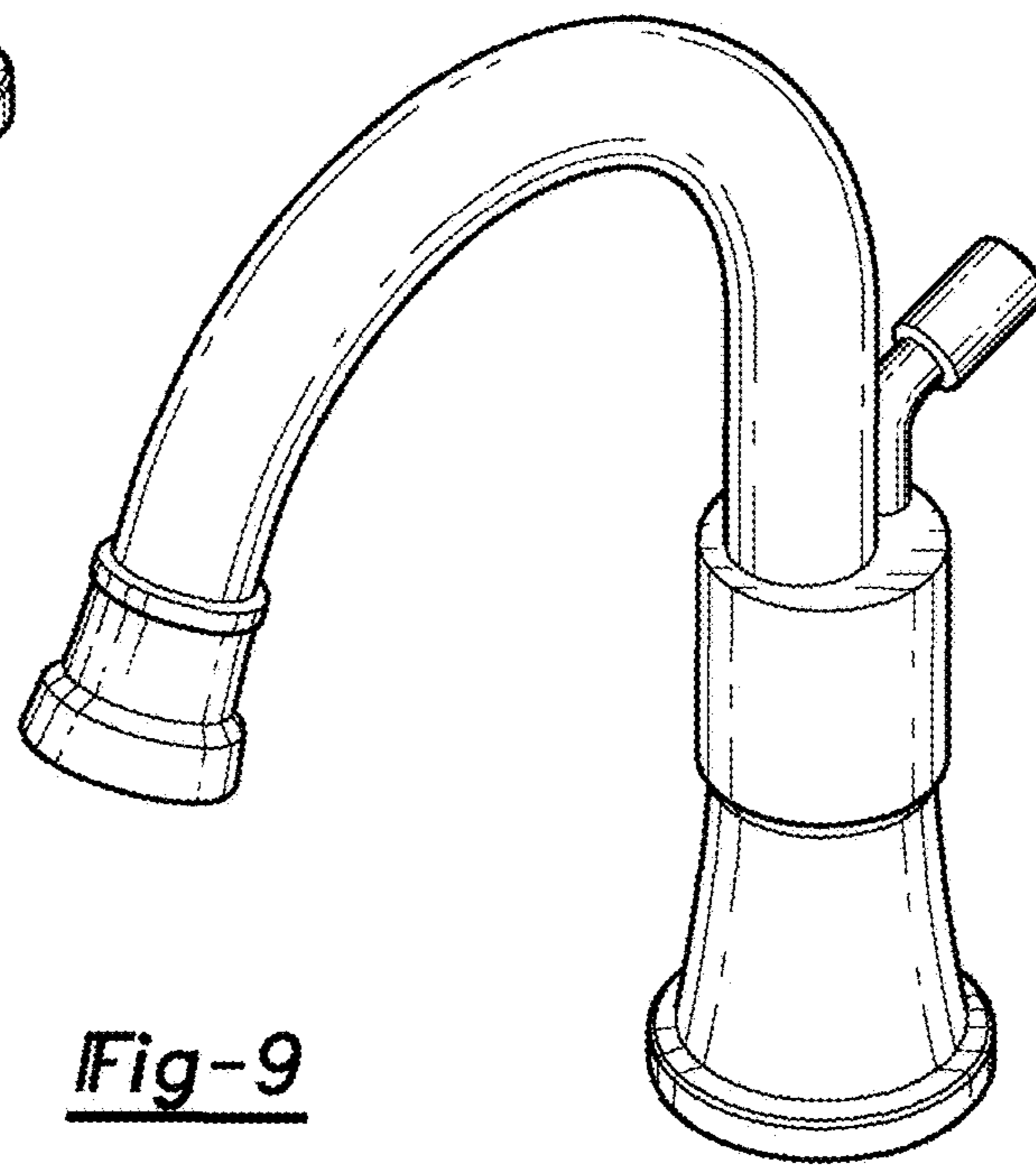


Fig-9

Fig-10

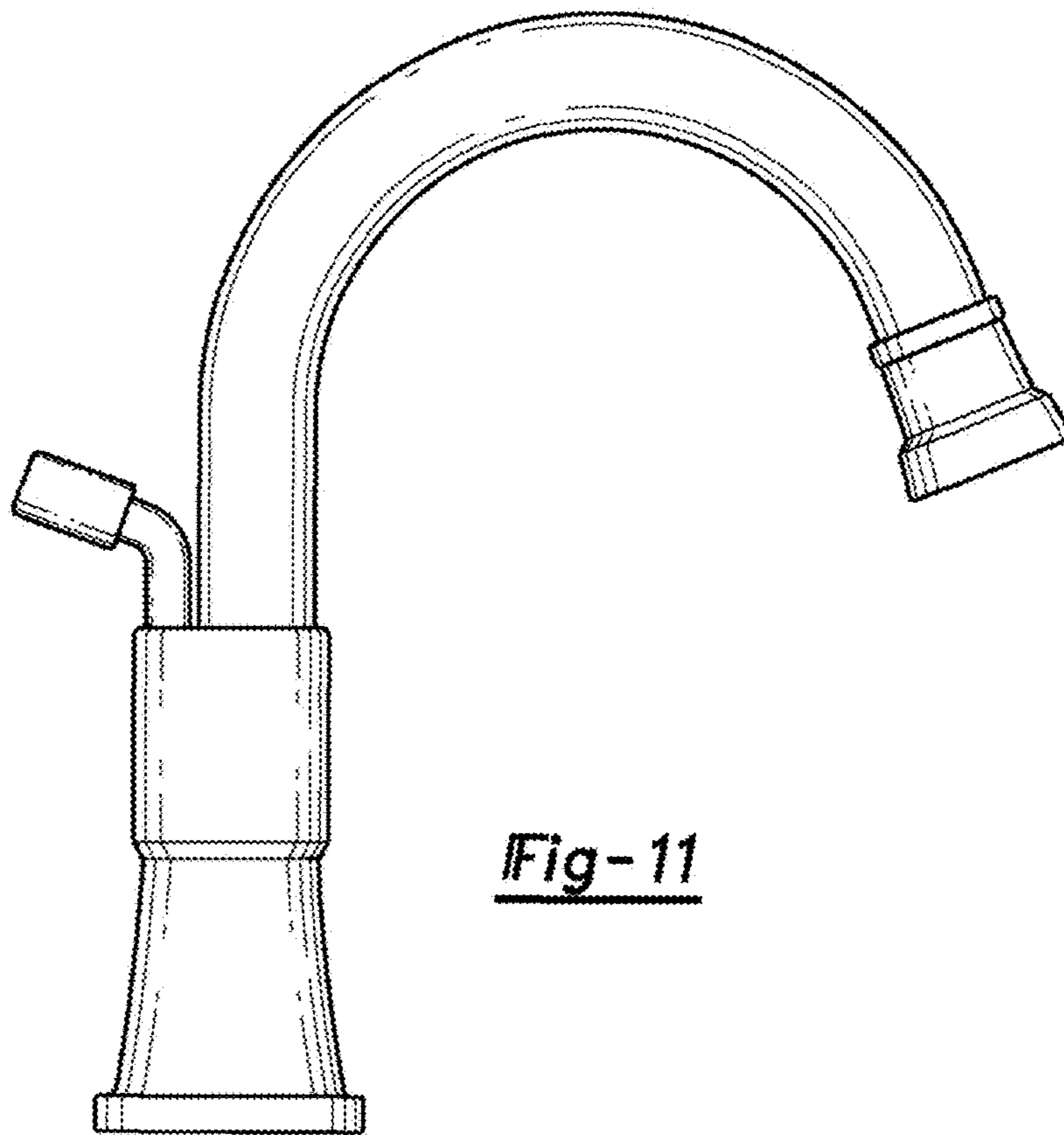
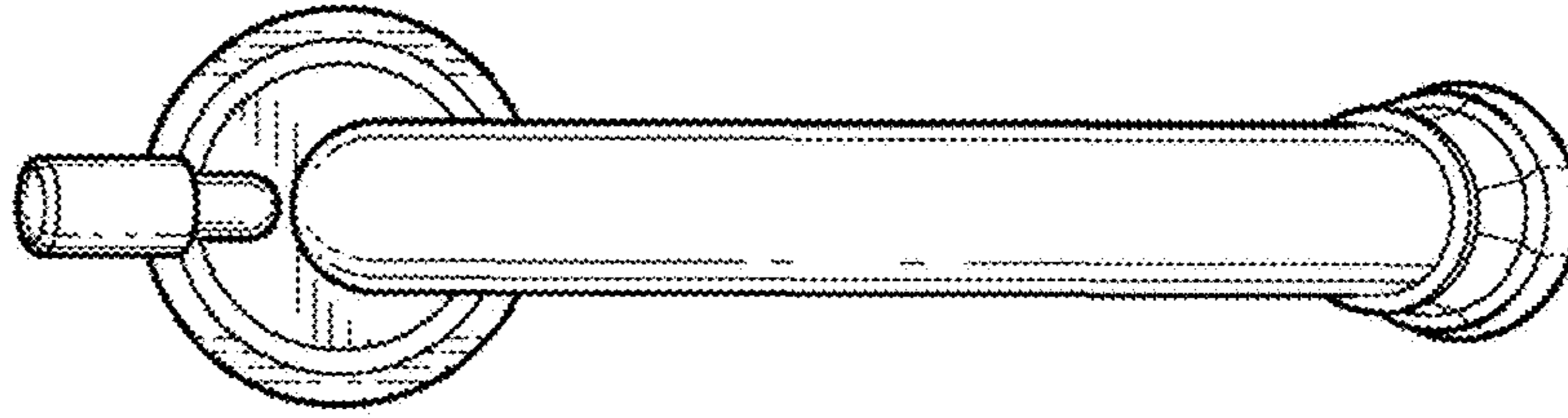


Fig-11

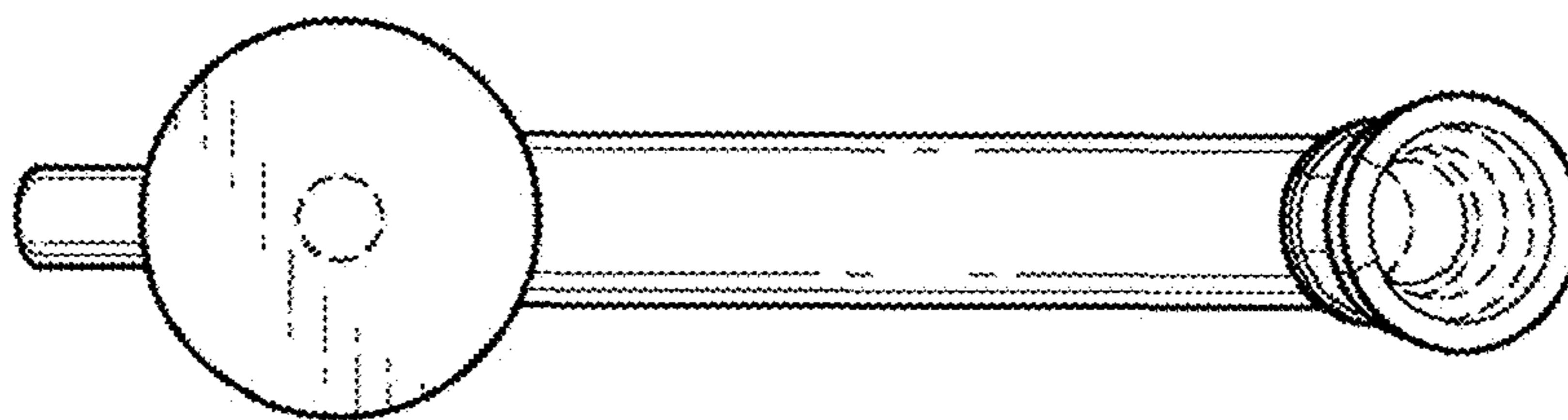


Fig-12

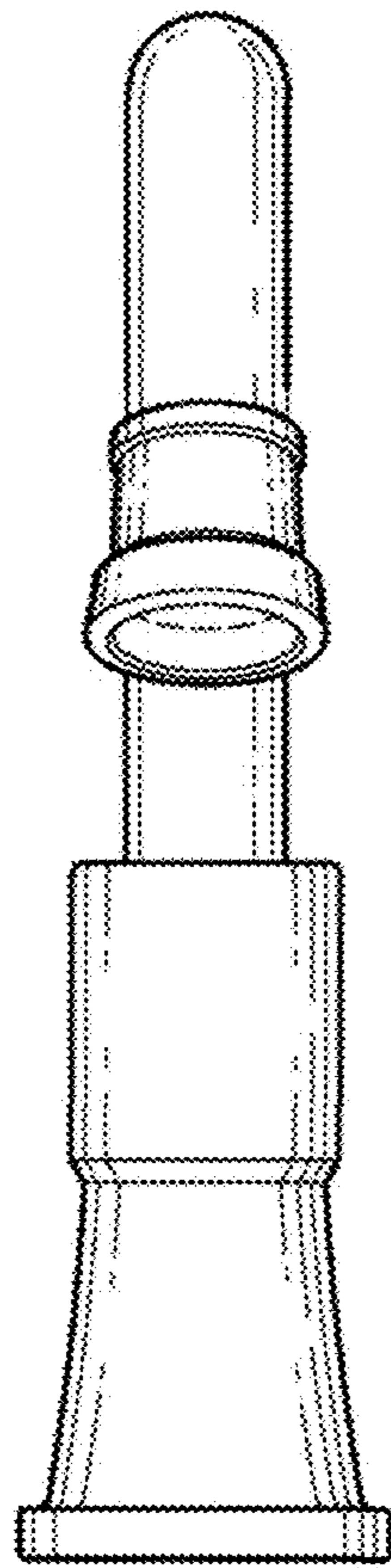


Fig-13

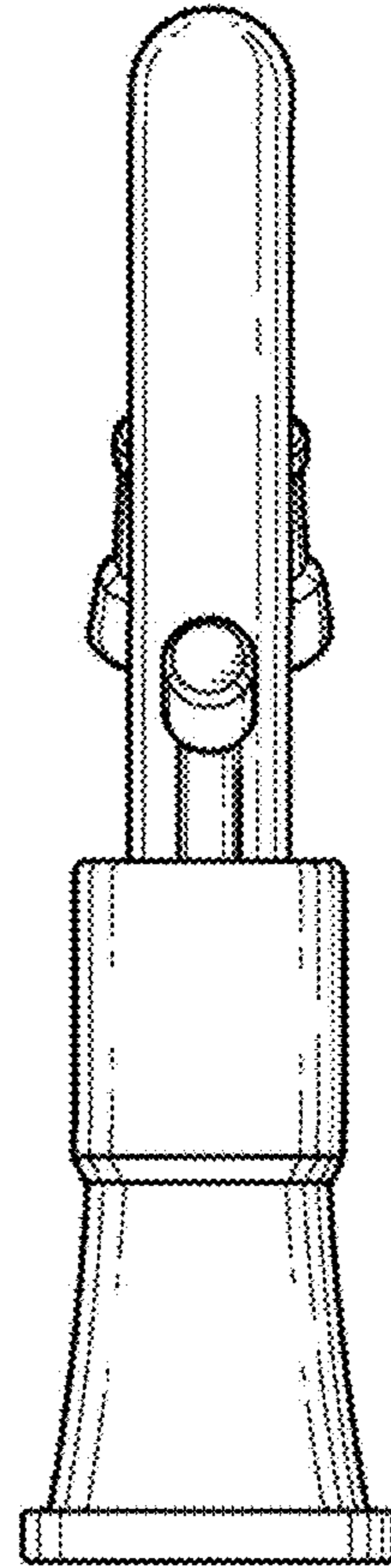


Fig-14