



US00D840513S

(12) **United States Design Patent**
Chen

(10) **Patent No.:** **US D840,513 S**

(45) **Date of Patent:** **** Feb. 12, 2019**

(54) **FAUCET**

D723,138 S * 2/2015 Ke D23/238
D816,802 S * 5/2018 Tsai D23/238

(71) Applicant: **Hui Chen**, Wenzhou (CN)

* cited by examiner

(72) Inventor: **Hui Chen**, Wenzhou (CN)

Primary Examiner — Robert A Delehanty

(**) Term: **15 Years**

(74) *Attorney, Agent, or Firm* — Raymond Y. Chan;
David and Raymond Patent Firm

(21) Appl. No.: **29/616,191**

(57) **CLAIM**

(22) Filed: **Sep. 3, 2017**

The ornamental design for a faucet, as shown.

(51) **LOC (11) Cl.** **23-01**

DESCRIPTION

(52) **U.S. Cl.**

USPC **D23/255**

(58) **Field of Classification Search**

USPC D23/238–243, 249, 255, 257

CPC E03C 1/04; E03C 1/0401; E03C 1/0402;
E03C 1/0404; Y10T 137/9464

See application file for complete search history.

FIG. 1 is a perspective view of a faucet showing my new design;

FIG. 2 is a right view thereof;

FIG. 3 is a left view thereof;

FIG. 4 is a front view thereof;

FIG. 5 is a rear view thereof;

FIG. 6 is a top view thereof; and,

FIG. 7 is a bottom view thereof.

The broken lines shown in the drawings on the top and bottom surfaces of the faucet represent unclaimed portions of the faucet and forms no part of the claimed design.

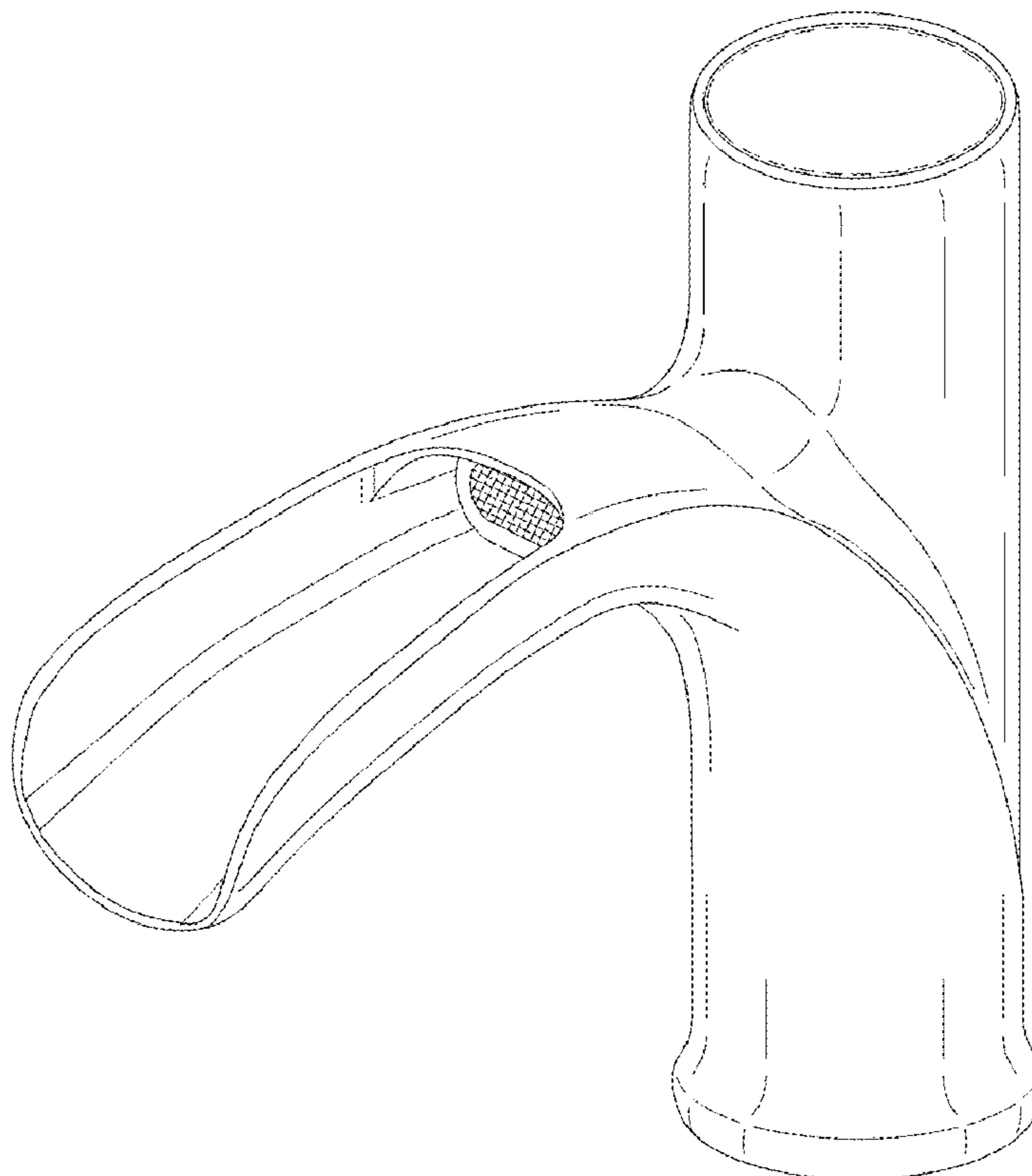
(56) **References Cited**

U.S. PATENT DOCUMENTS

D576,709 S * 9/2008 Fritz D23/238

D594,532 S * 6/2009 Schoenherr D23/238

1 Claim, 7 Drawing Sheets



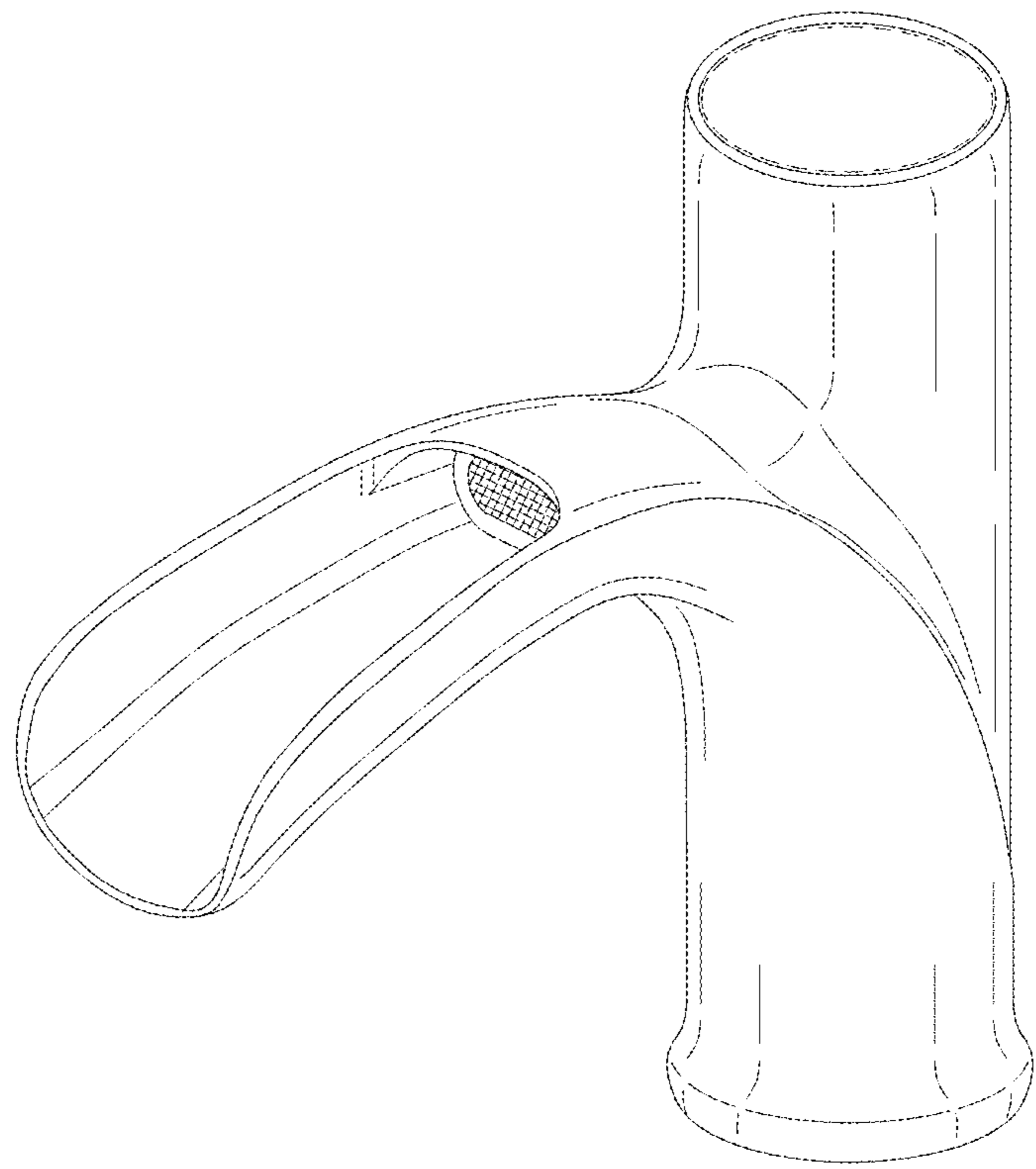


FIG.1

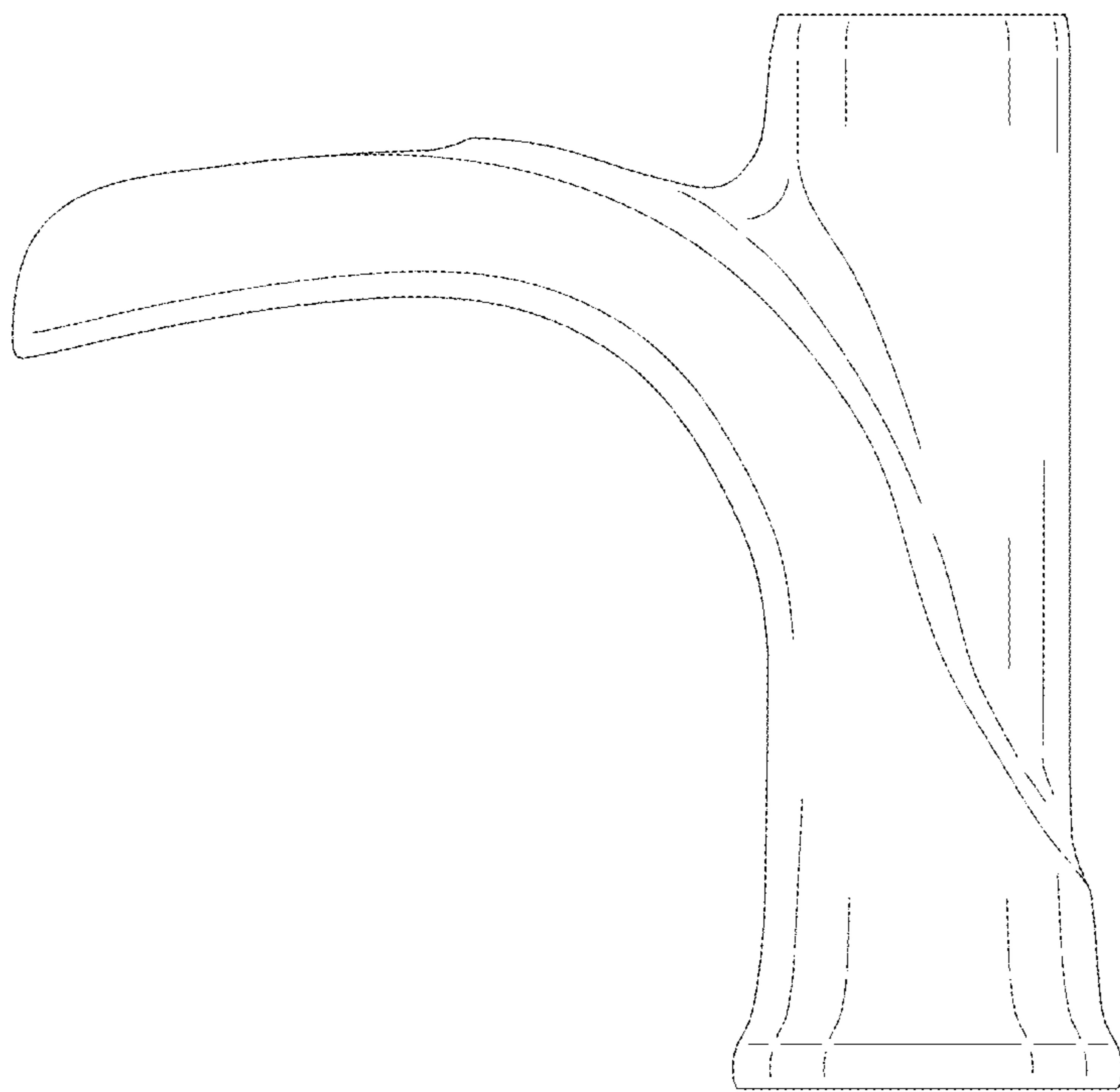


FIG. 2

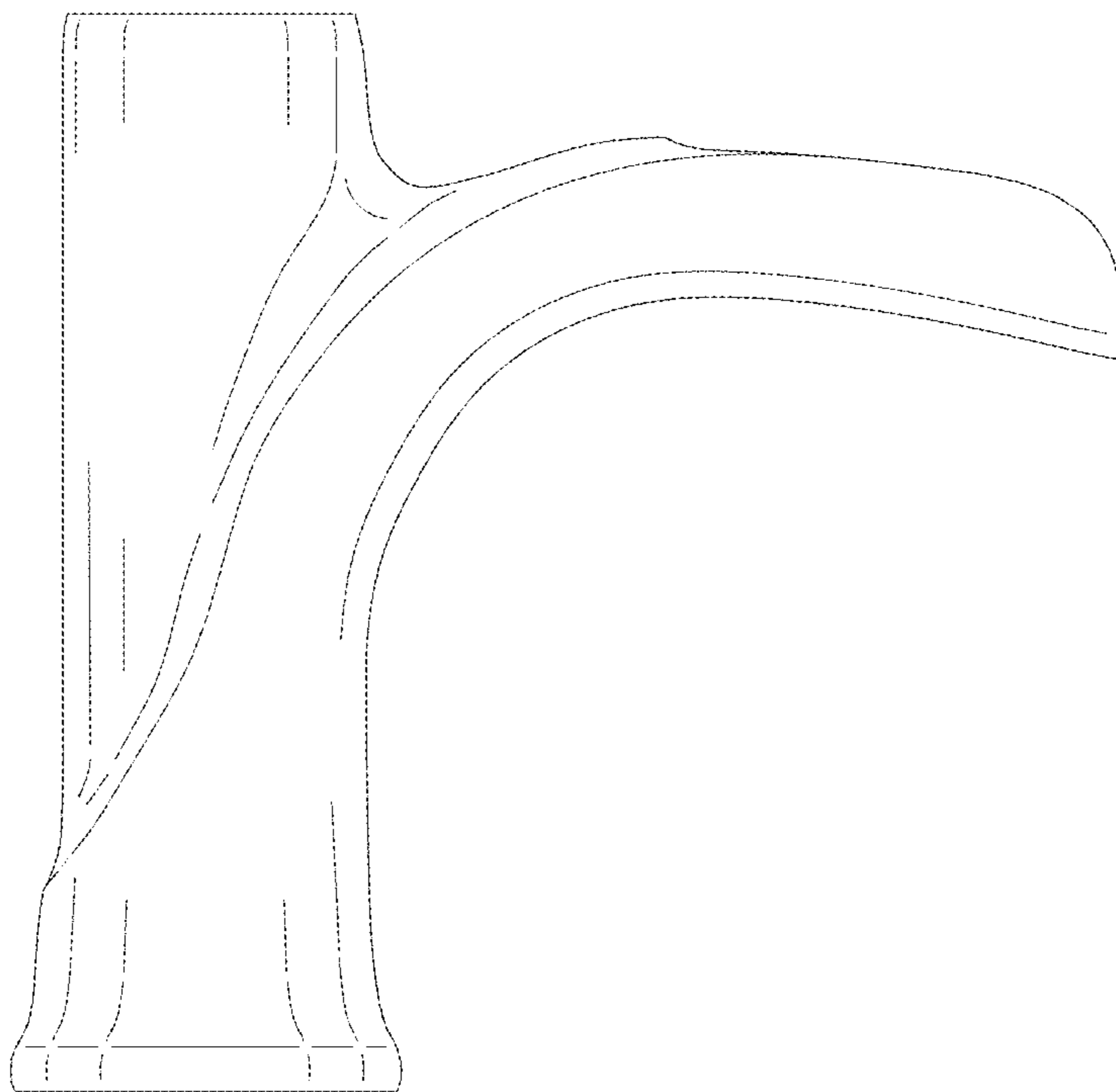


FIG.3

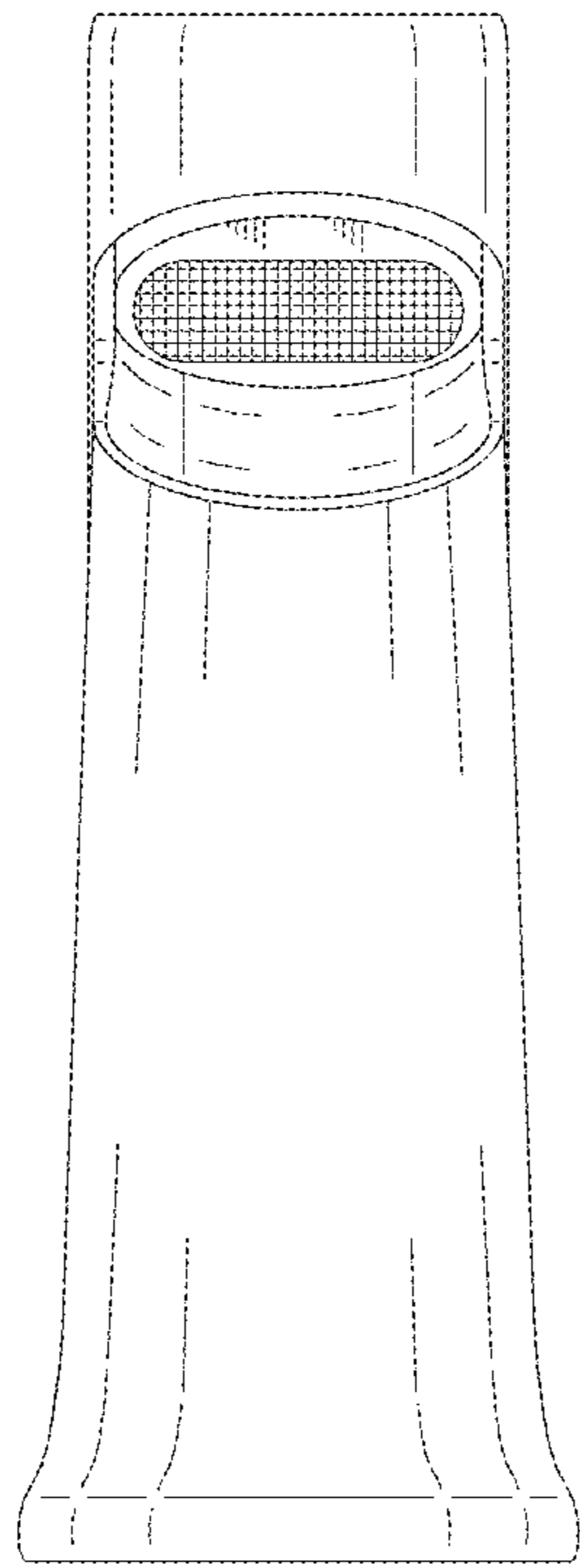


FIG.4

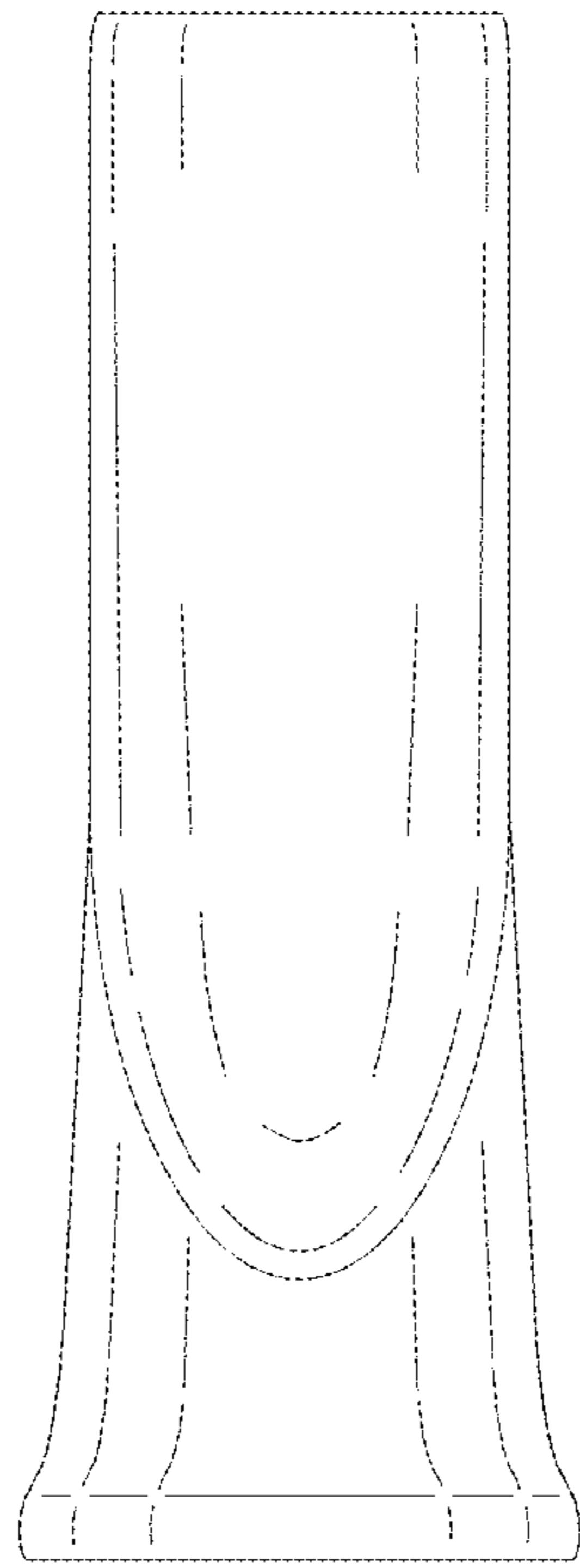


FIG.5

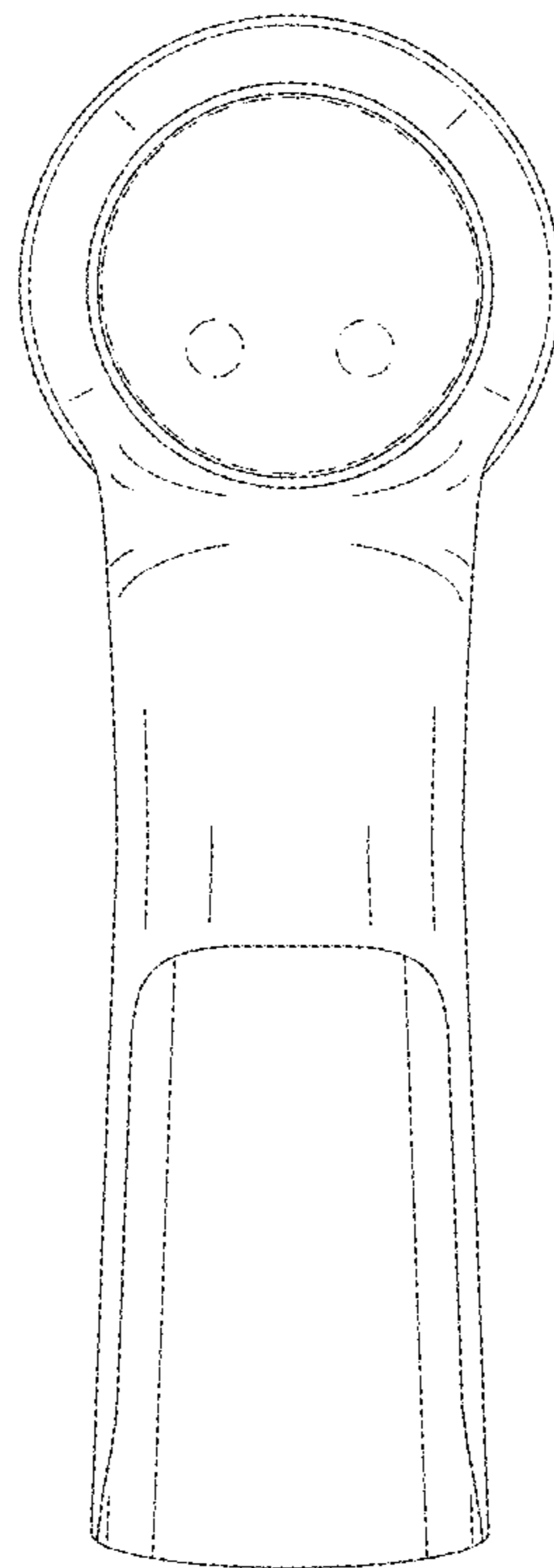


FIG.6

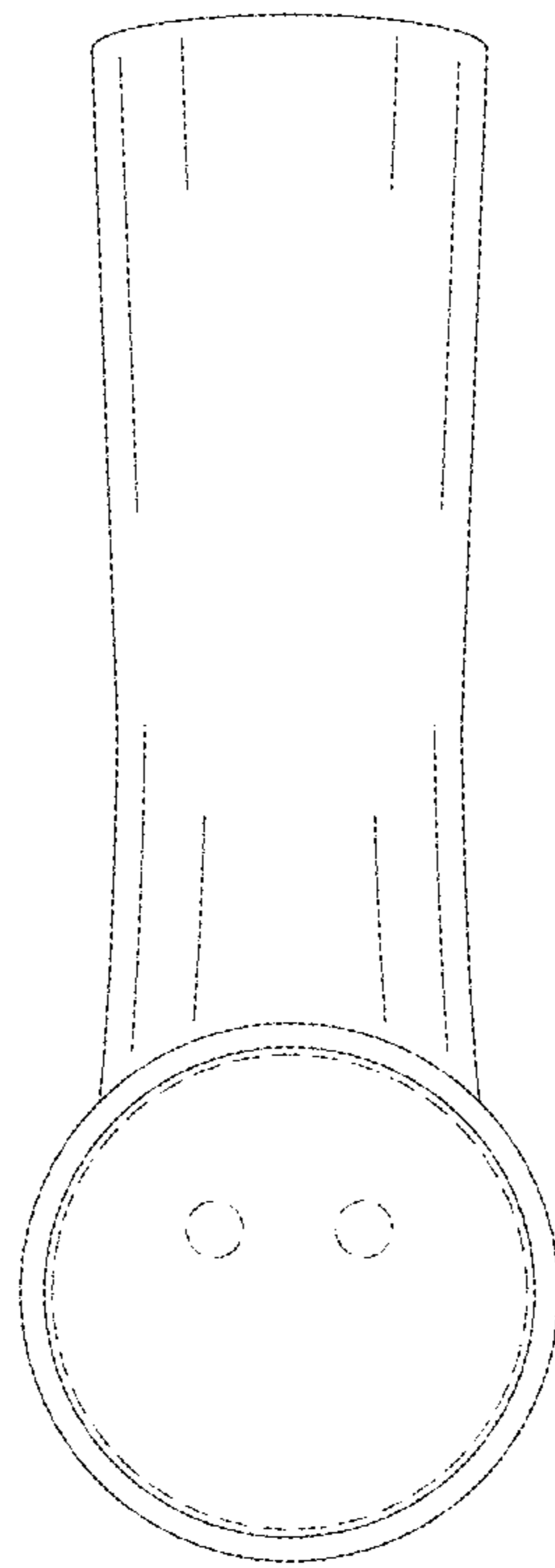


FIG.7