



US00D840512S

(12) **United States Design Patent**
Garland

(10) **Patent No.:** **US D840,512 S**

(45) **Date of Patent:** **** Feb. 12, 2019**

(54) **FAUCET HANDLE**

(71) Applicant: **DELTA FAUCET COMPANY,**
Indianapolis, IN (US)

(72) Inventor: **Celine Kwok Garland,** Zionsville, IN
(US)

(73) Assignee: **DELTA FAUCET COMPANY,**
Indianapolis, IN (US)

(**) Term: **15 Years**

(21) Appl. No.: **29/624,973**

(22) Filed: **Nov. 6, 2017**

(51) **LOC (11) Cl.** **23-01**

(52) **U.S. Cl.**
USPC **D23/252**

(58) **Field of Classification Search**
USPC D23/238, 241–243, 249–250, 252, 254;
D8/307–308
CPC Y10T 137/9464
See application file for complete search history.

(56) **References Cited**

U.S. PATENT DOCUMENTS

D447,542 S * 9/2001 Dretzka D23/252
D522,096 S * 5/2006 Fritz D23/252

D524,423 S * 7/2006 Barry D23/252
D532,486 S * 11/2006 Barry D23/252
D592,281 S * 5/2009 Eilmus D23/252
D596,715 S * 7/2009 Haug D23/254
D786,407 S * 5/2017 Clarke D23/252
D793,538 S * 8/2017 Fritz D23/252
D810,884 S * 2/2018 Garland D23/252

* cited by examiner

Primary Examiner — Robert A Delehanty

(74) *Attorney, Agent, or Firm* — Edgar A. Zarins; Nirav
D. Parikh

(57) **CLAIM**

The ornamental design for a faucet handle, as shown and
described.

DESCRIPTION

FIG. 1 is a perspective view of a faucet handle showing my
new design;
FIG. 2 is a first end view thereof;
FIG. 3 is a second end view thereof;
FIG. 4 is a top plan view thereof;
FIG. 5 is a first side view thereof, the opposite side being a
mirror image of the side shown; and,
FIG. 6 is a bottom view thereof.

The broken-line disclosure in the view represents a portion
of the faucet handle in which the claimed design is embod-
ied, but which forms no part of the claimed design.

1 Claim, 2 Drawing Sheets

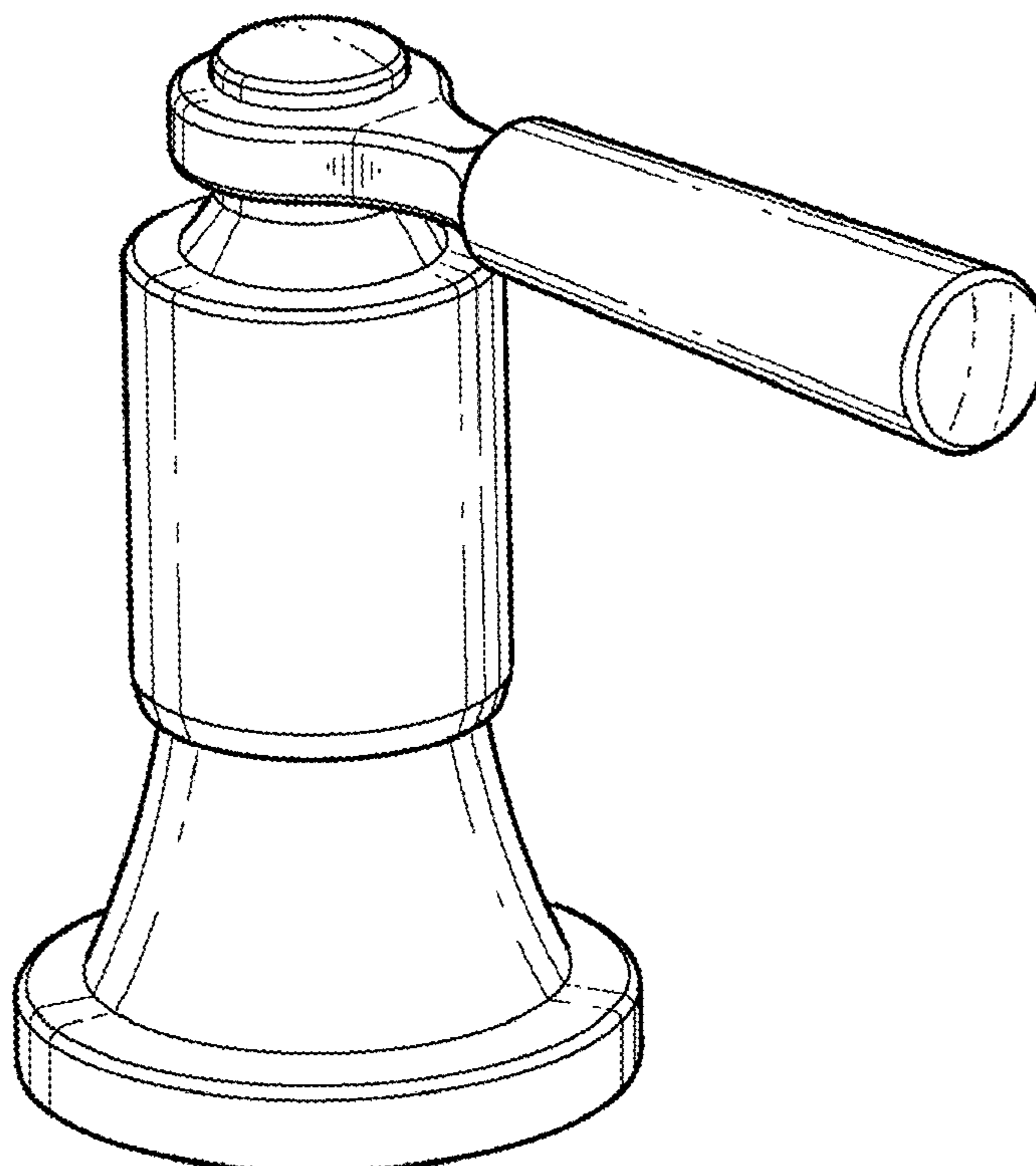


Fig-1

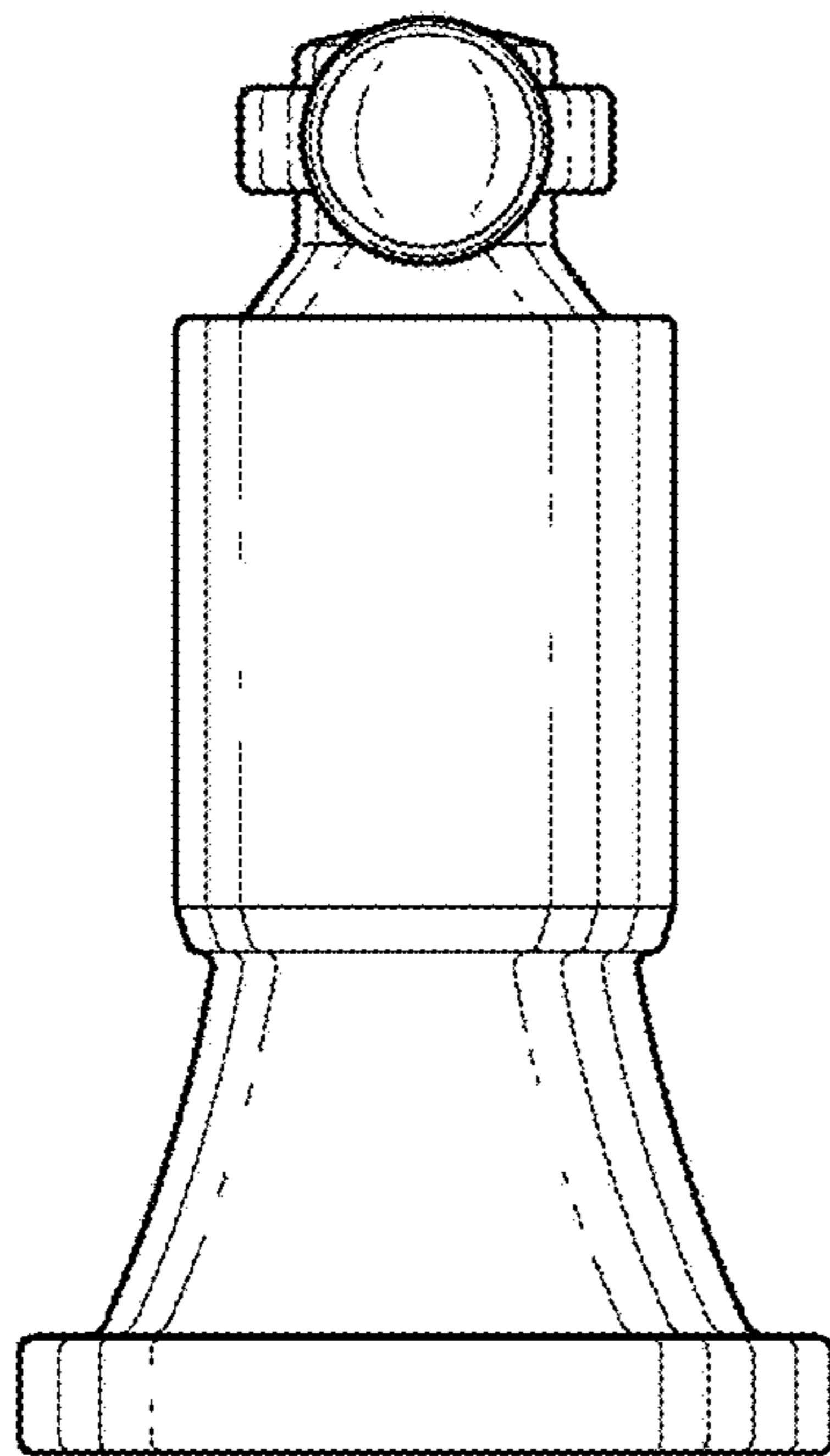
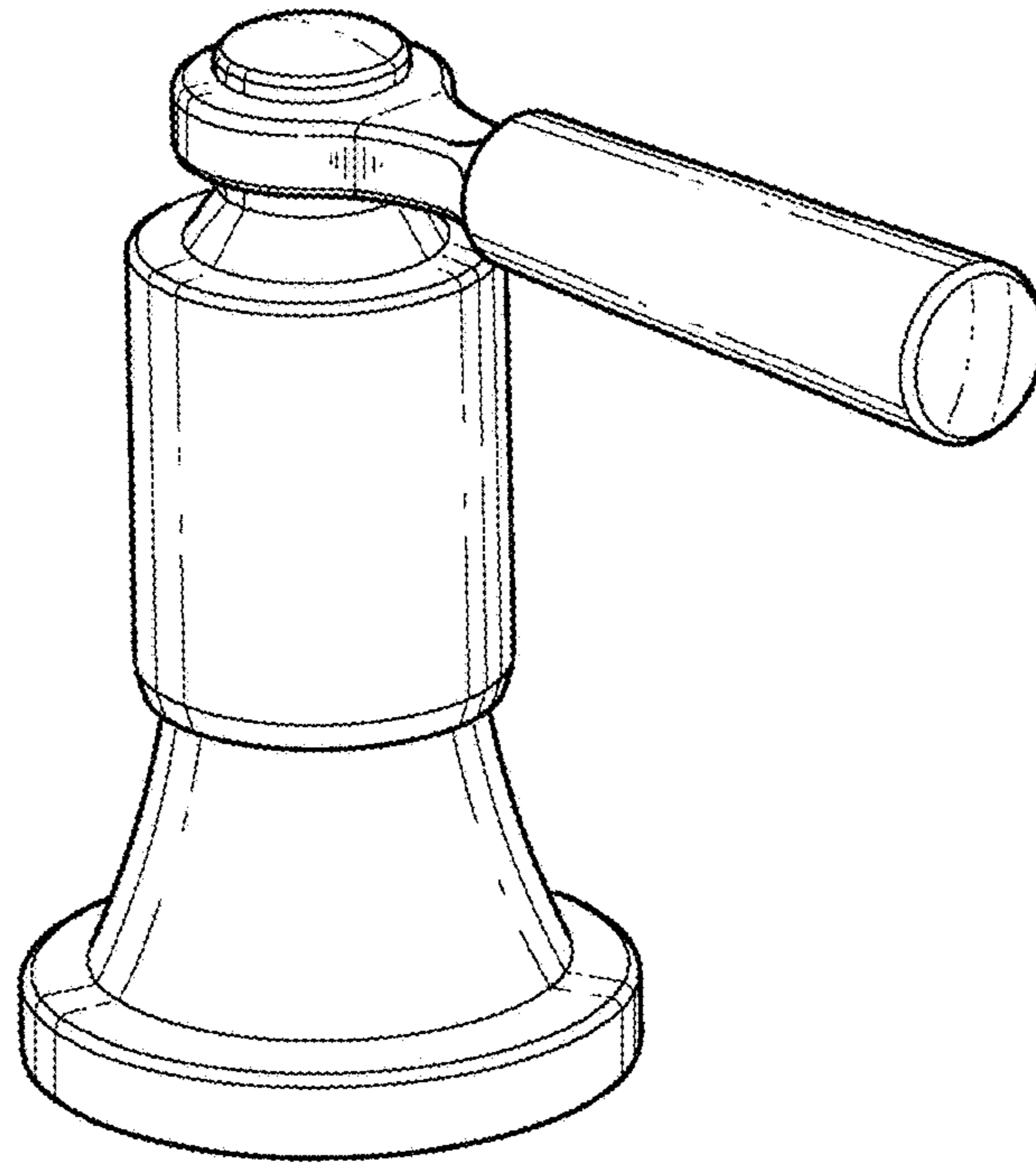


Fig-2

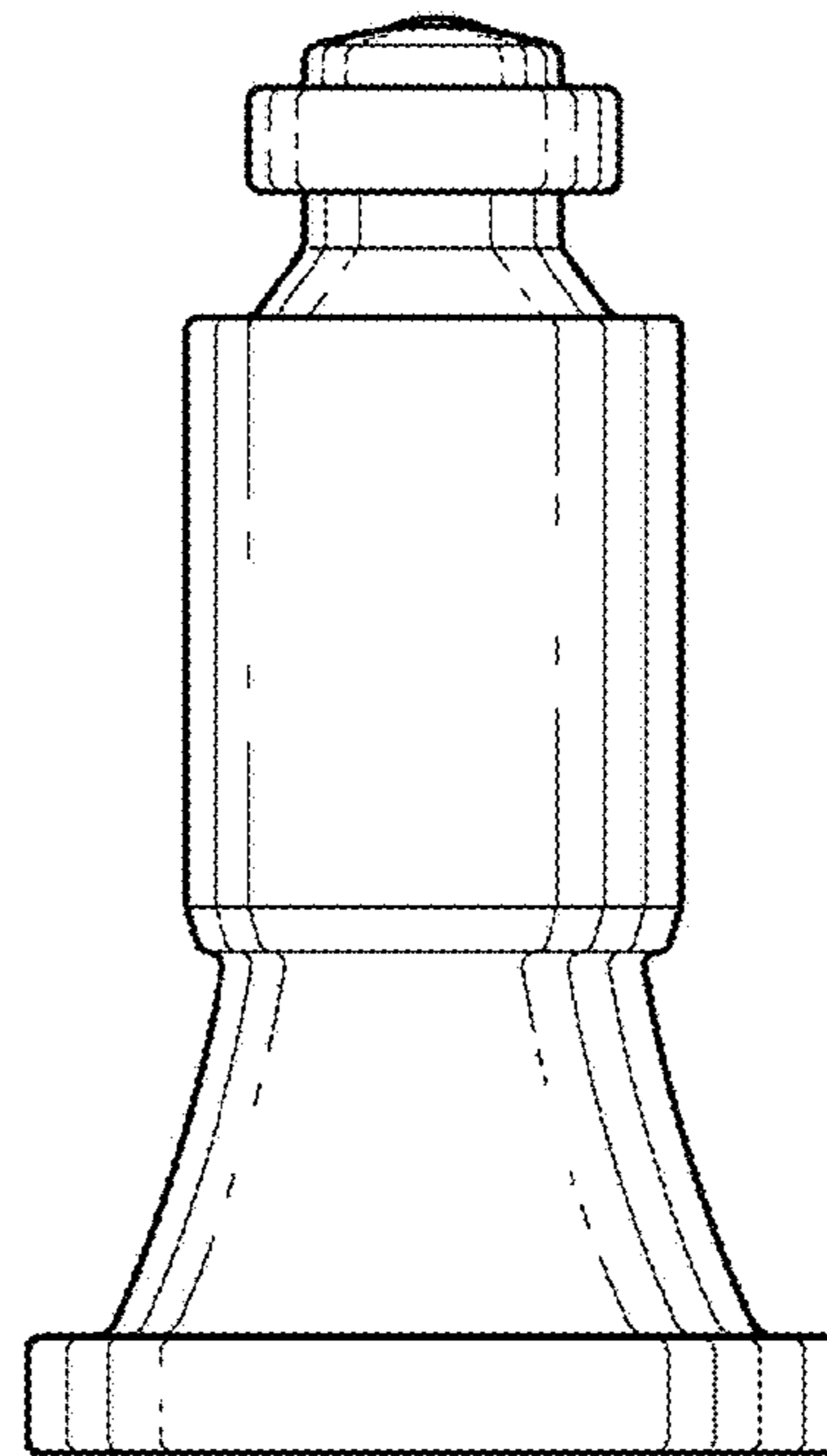


Fig-3

Fig-4

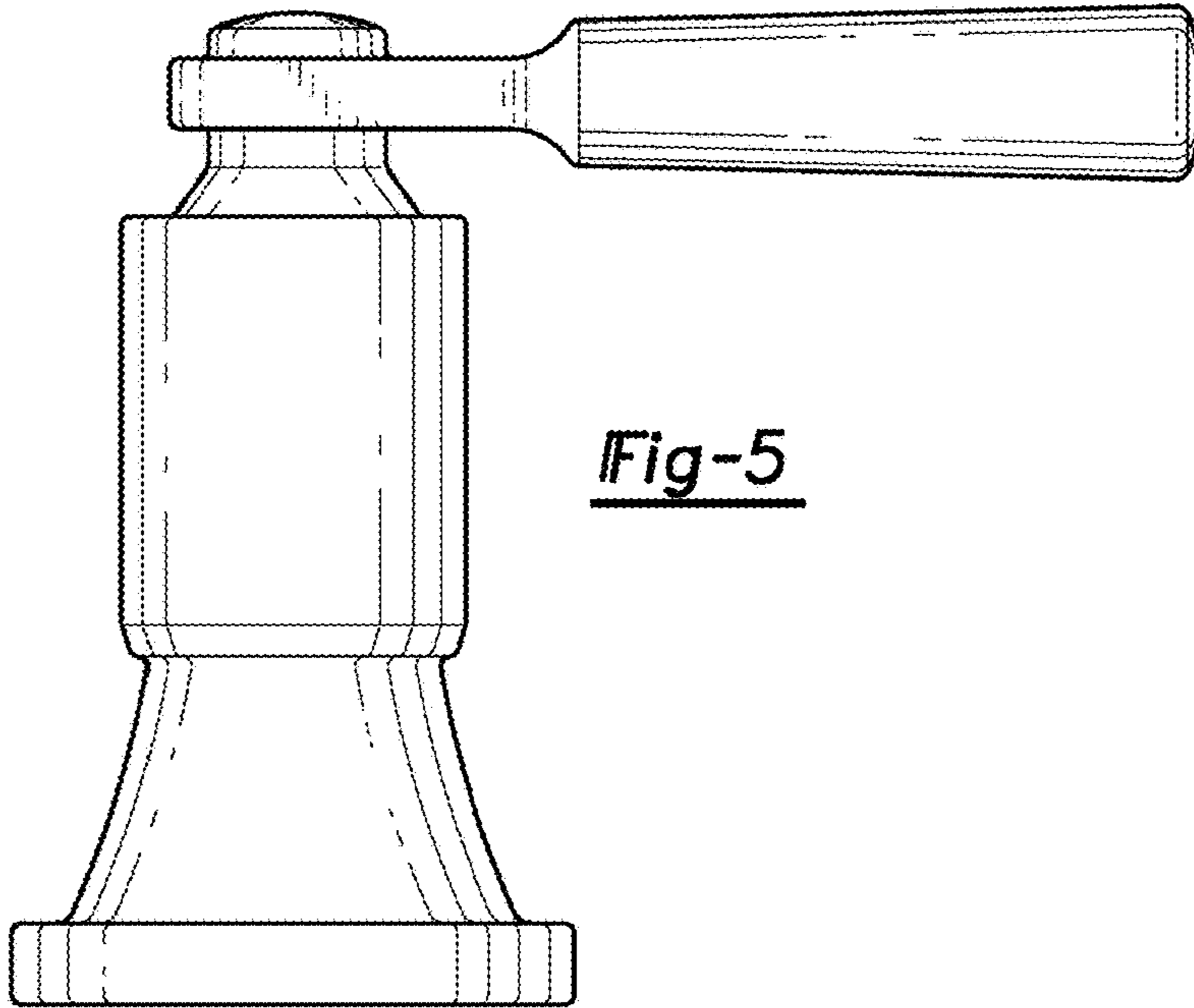
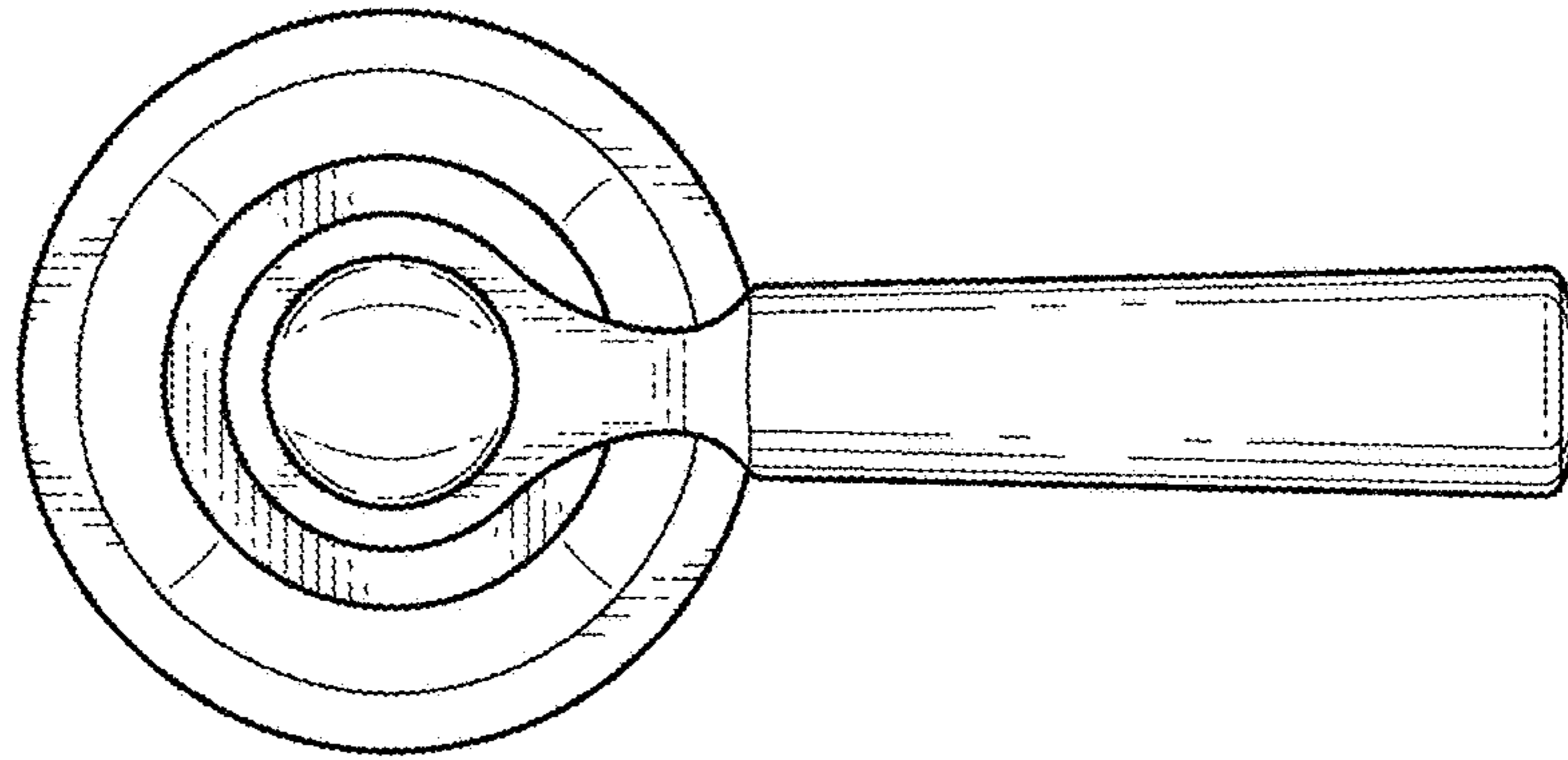


Fig-5

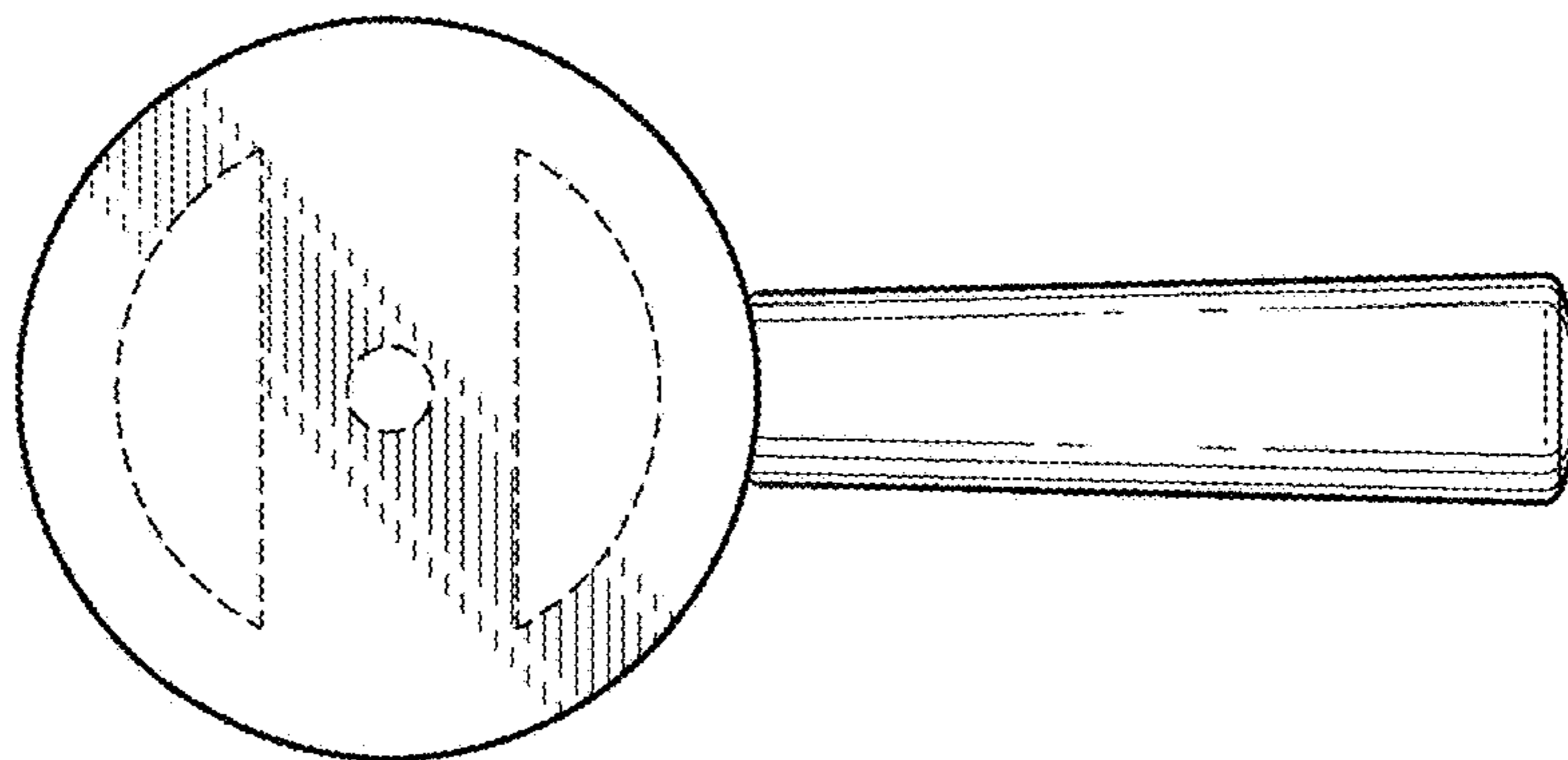


Fig-6