



US00D840511S

(12) **United States Design Patent**  
**Garland et al.**

(10) **Patent No.:** **US D840,511 S**

(45) **Date of Patent:** **\*\* Feb. 12, 2019**

(54) **FAUCET**

(71) Applicant: **DELTA FAUCET COMPANY**,  
Indianapolis, IN (US)

(72) Inventors: **Celine Kwok Garland**, Zionsville, IN  
(US); **Song Qing Liao**, Guangdong  
(CN)

(73) Assignee: **DELTA FAUCET COMPANY**,  
Indianapolis, IN (US)

(\*\*) Term: **15 Years**

(21) Appl. No.: **29/630,111**

(22) Filed: **Dec. 19, 2017**

(51) **LOC (11) Cl.** ..... **23-01**

(52) **U.S. Cl.**

USPC ..... **D23/242**

(58) **Field of Classification Search**

USPC ..... D23/238–243, 249, 255, 257;  
D08/307–308

CPC ..... E03C 1/04; E03C 1/0401; E03C 1/0402;  
E03C 1/0404; E03C 1/0412; E03C  
1/0411; E03C 1/0415; E03C 1/0417;  
Y10T 137/9464

See application file for complete search history.

(56) **References Cited**

**U.S. PATENT DOCUMENTS**

D513,526 S \* 1/2006 Marshall ..... D23/238  
D524,423 S \* 7/2006 Barry ..... D23/252

D532,486 S \* 11/2006 Barry ..... D23/252  
D540,914 S \* 4/2007 Haug ..... D23/235  
D592,281 S \* 5/2009 Eilmus ..... D23/252  
D786,405 S \* 5/2017 Schaubach ..... D23/238  
D786,407 S \* 5/2017 Clarke ..... D23/252  
D807,476 S \* 1/2018 Haug ..... D23/238  
D810,875 S \* 2/2018 Bahler ..... D23/238

\* cited by examiner

*Primary Examiner* — Robert A Delehanty

(74) *Attorney, Agent, or Firm* — Edgar A. Zarins; Nirav  
D. Parikh

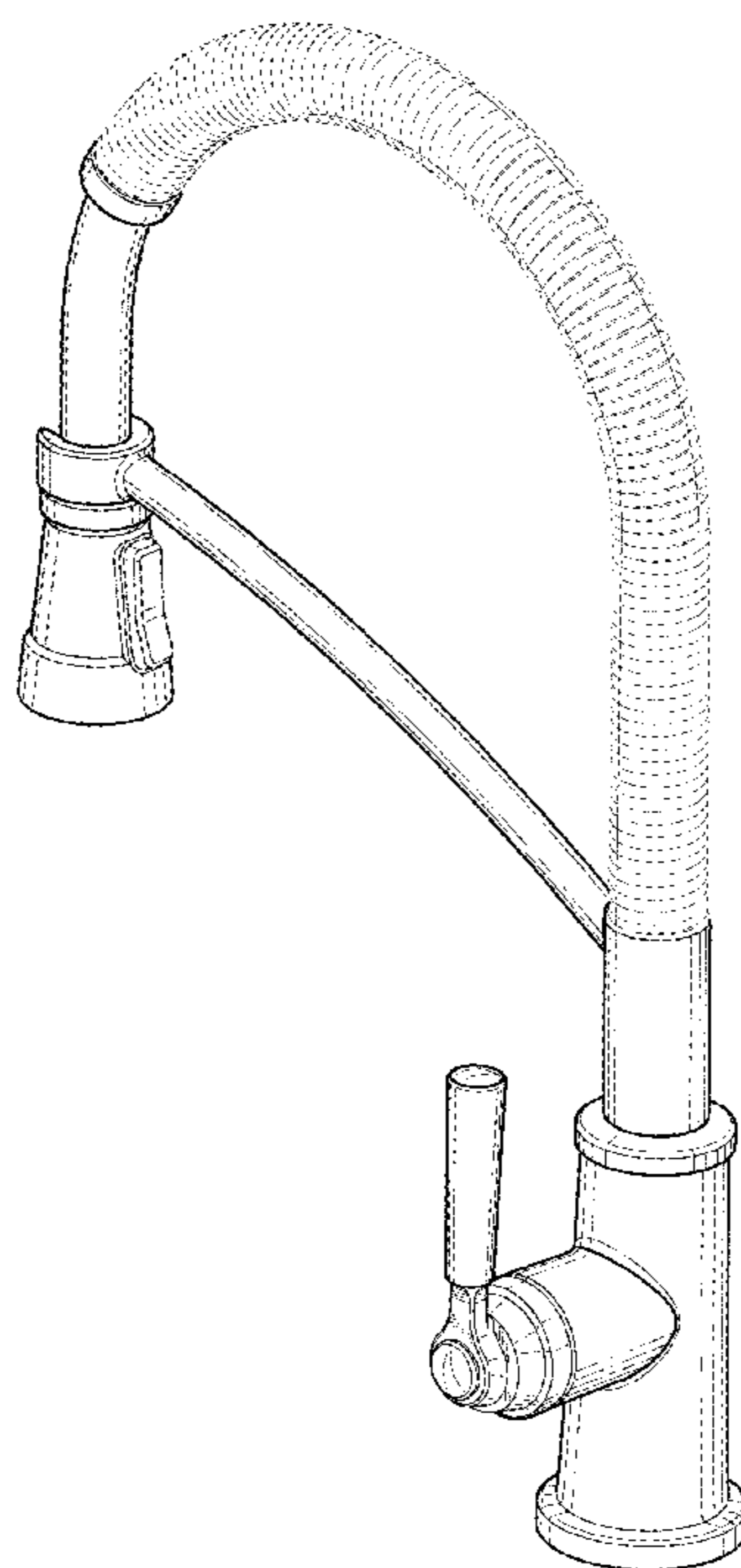
(57) **CLAIM**

The ornamental design for a faucet, as shown and described.

**DESCRIPTION**

FIG. 1 is a rear perspective view of a faucet showing our new design;  
FIG. 2 is a top plan view thereof;  
FIG. 3 is a left side view thereof;  
FIG. 4 is a right side view thereof;  
FIG. 5 is a bottom view thereof;  
FIG. 6 is a front elevational view thereof; and,  
FIG. 7 is a rear view thereof.  
The broken-line disclosure in the view represents a portion of the faucet in which the claimed design is embodied, but which forms no part of the claimed design.

**1 Claim, 4 Drawing Sheets**



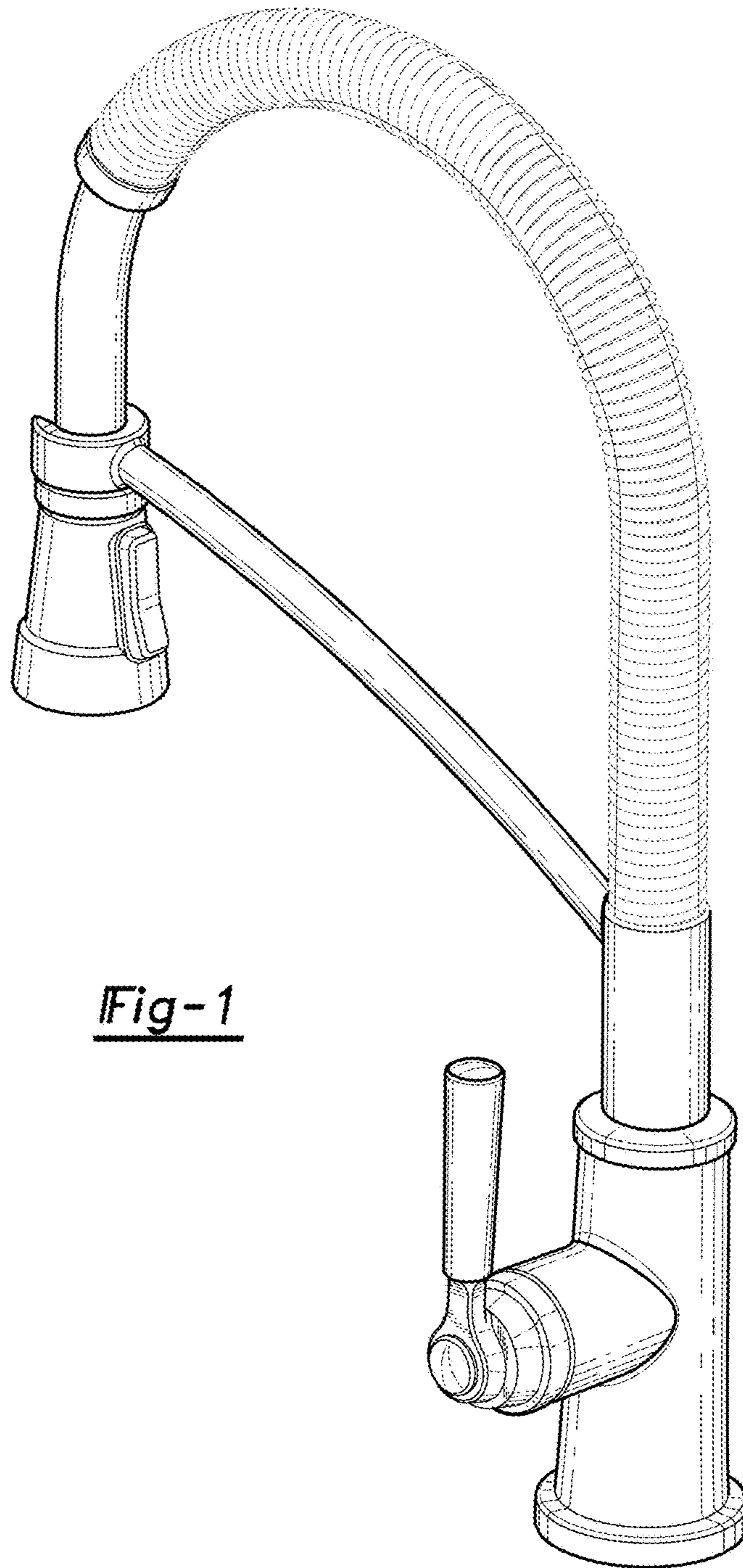


Fig-1

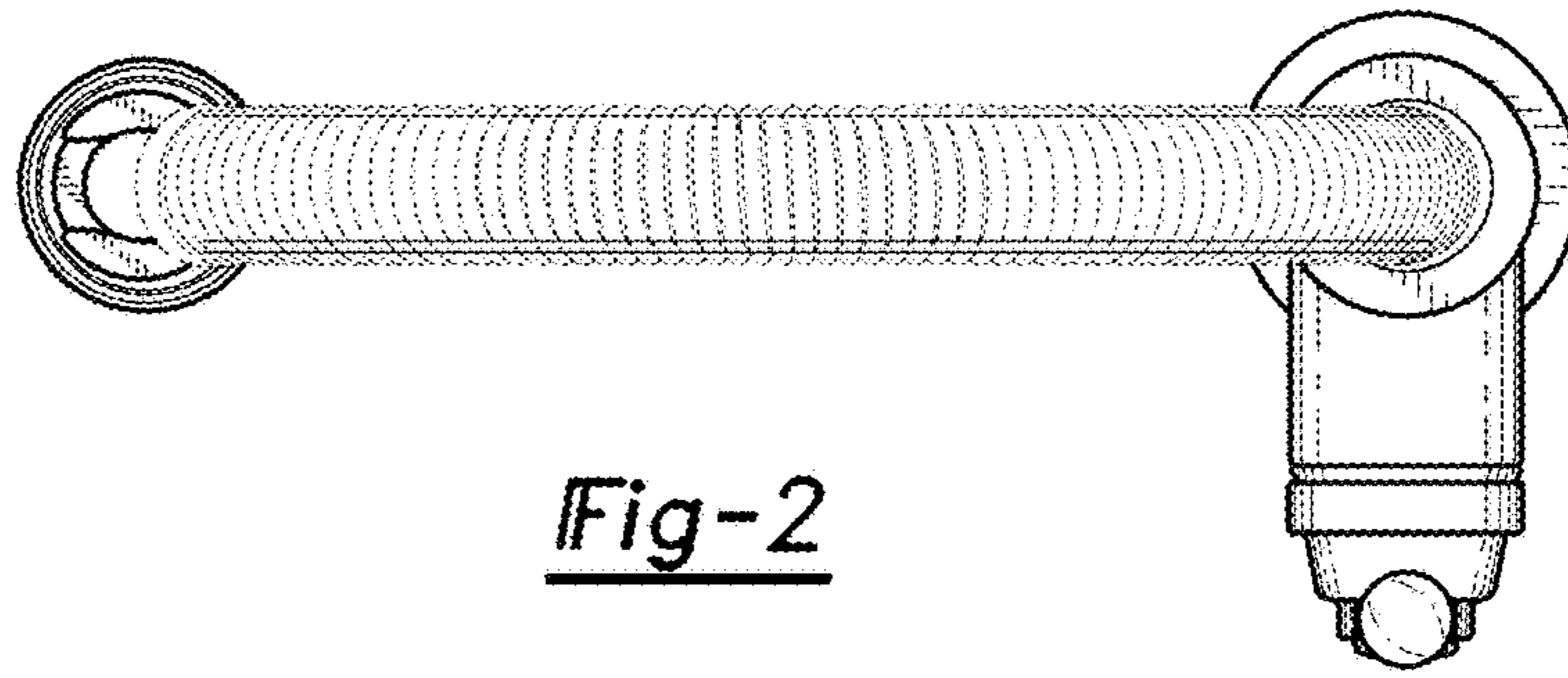


Fig-2

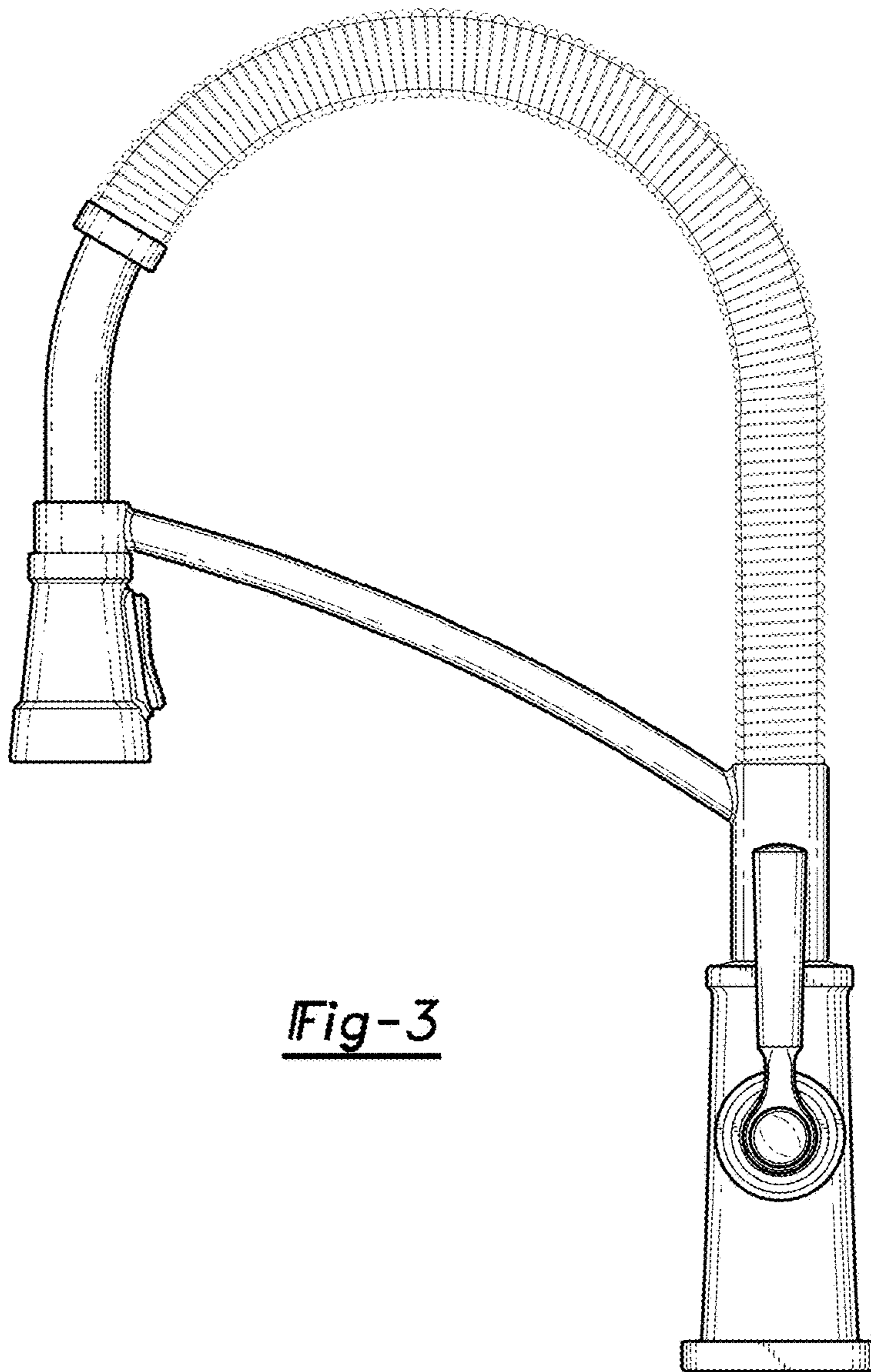


Fig-3

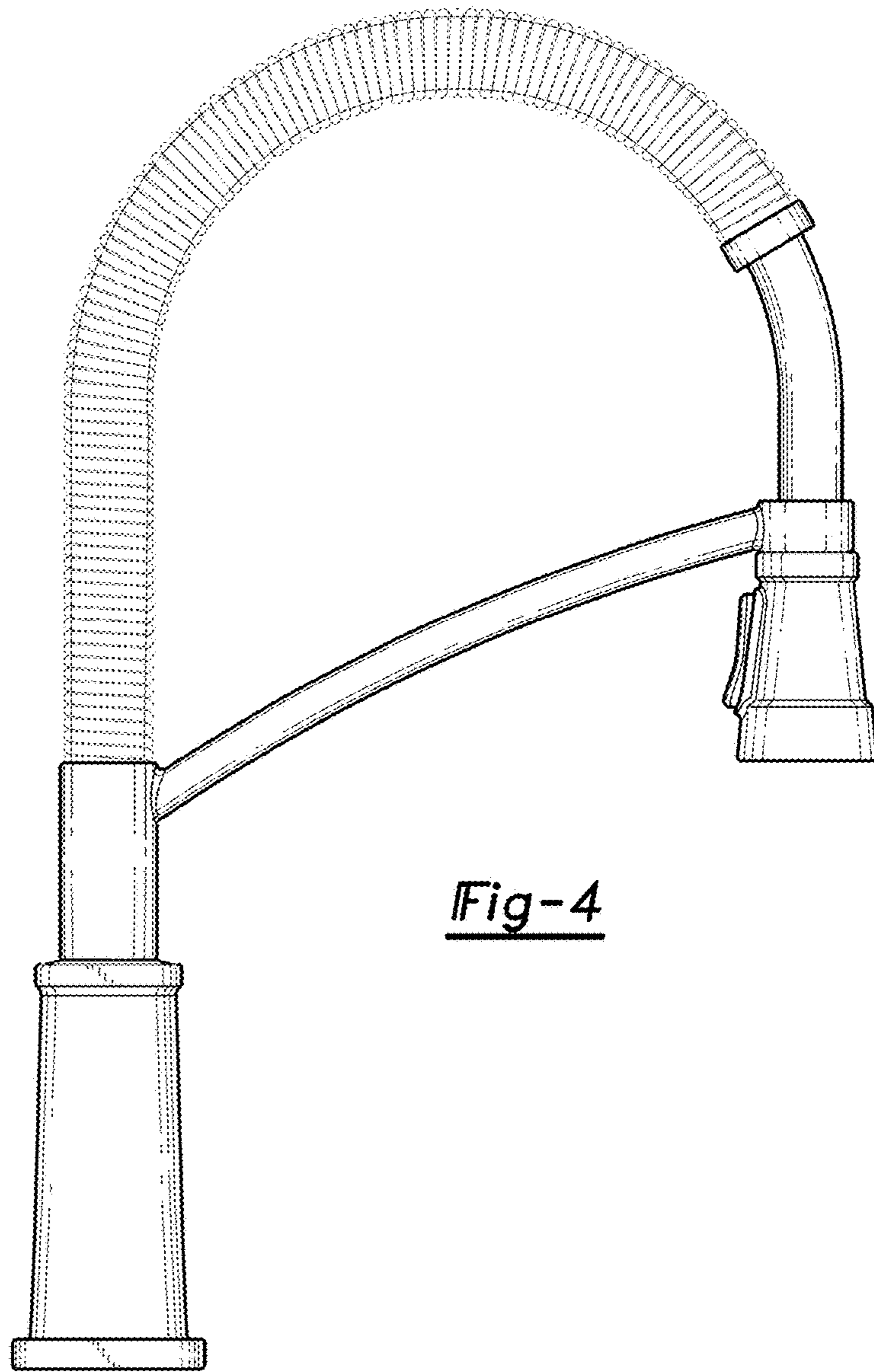


Fig-4

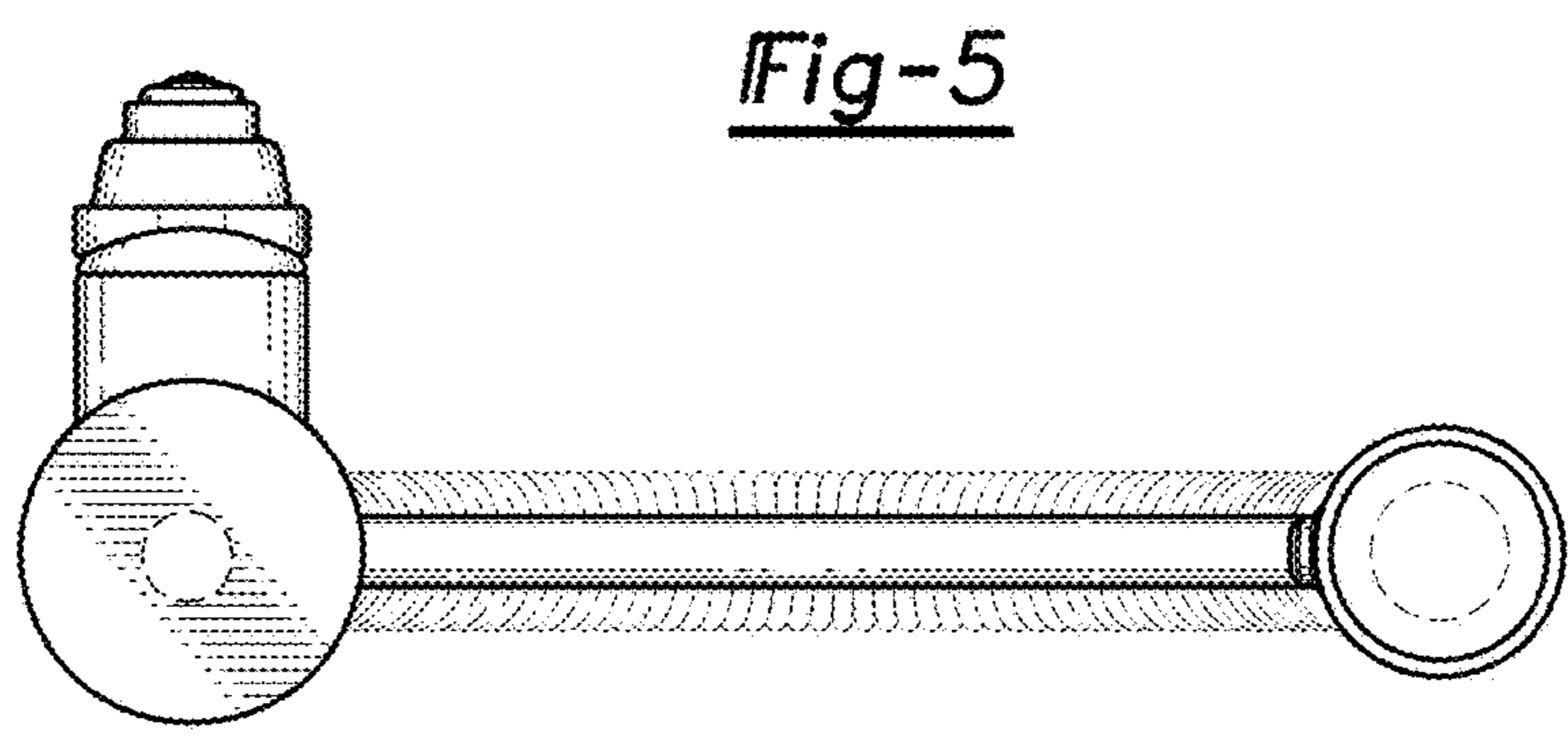


Fig-5

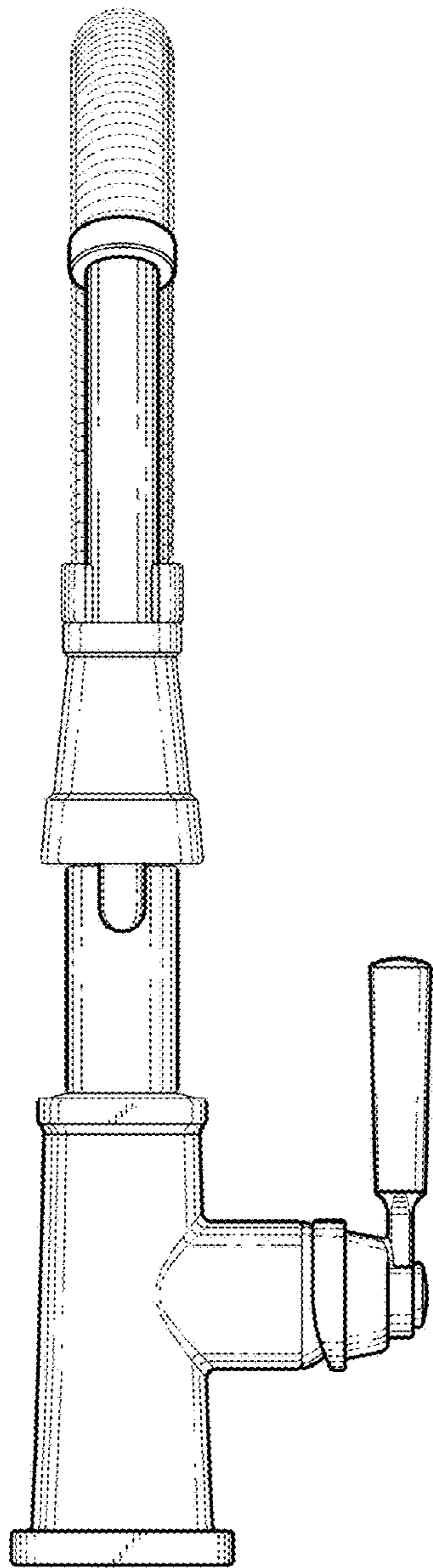


Fig-6

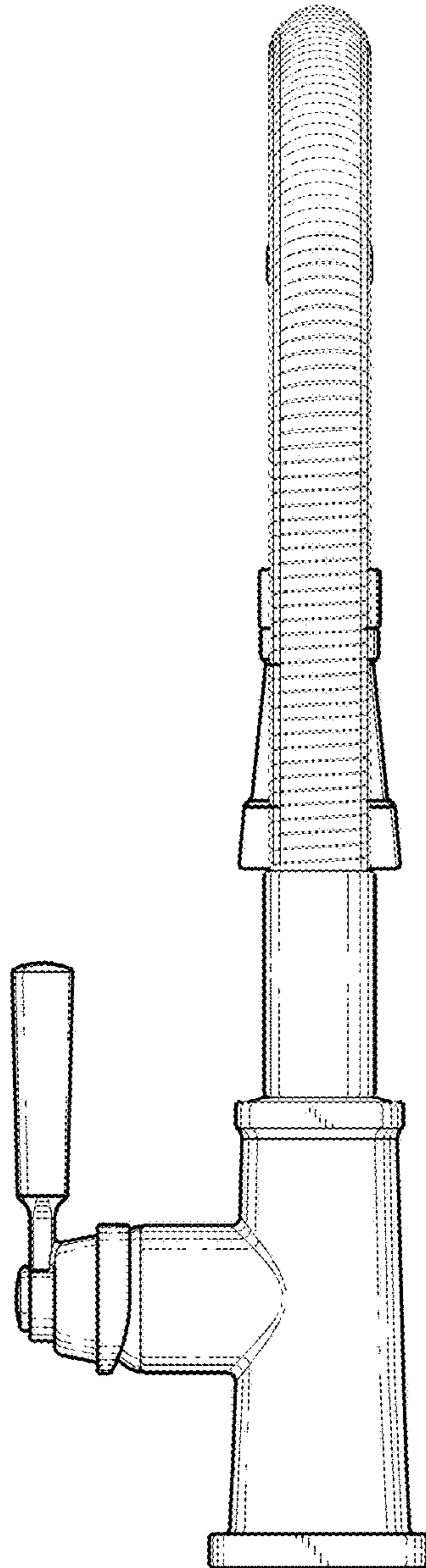


Fig-7