



US00D840509S

(12) **United States Design Patent**
Garland et al.

(10) **Patent No.:** **US D840,509 S**

(45) **Date of Patent:** **** Feb. 12, 2019**

(54) **FAUCET**

(71) Applicant: **DELTA FAUCET COMPANY,**
Indianapolis, IN (US)

(72) Inventors: **Celine Kwok Garland,** Zionsville, IN
(US); **Song Qing Liao,** Guangdong
(CN)

(73) Assignee: **DELTA FAUCET COMPANY,**
Indianapolis, IN (US)

(**) Term: **15 Years**

(21) Appl. No.: **29/630,204**

(22) Filed: **Dec. 20, 2017**

(51) **LOC (11) Cl.** **23-01**

(52) **U.S. Cl.**
USPC **D23/238**

(58) **Field of Classification Search**
USPC D23/238-243, 249, 255, 257;
D08/307-308, 352
CPC E03C 1/04; E03C 1/0401; E03C 1/0402;
E03C 1/0404; E03C 1/0412; Y10T
137/9464
See application file for complete search history.

(56) **References Cited**

U.S. PATENT DOCUMENTS

D478,154 S * 8/2003 Ouyoung D23/249
D513,526 S * 1/2006 Marshall D23/238

D518,558 S * 4/2006 Soriano D23/255
D524,423 S * 7/2006 Barry D23/252
D532,486 S * 11/2006 Barry D23/252
D592,281 S * 5/2009 Eilmus D23/252
D686,300 S * 7/2013 Fritz D23/238
D786,405 S * 5/2017 Schaubach D23/238
D786,407 S * 5/2017 Clarke D23/252
D795,393 S * 8/2017 Fritz D23/238
D807,476 S * 1/2018 Haug D23/238
D810,874 S * 2/2018 Bahler D23/238

* cited by examiner

Primary Examiner — Robert A Delehanty

(74) *Attorney, Agent, or Firm* — Edgar A. Zarins; Nirav
D. Parikh

(57) **CLAIM**

The ornamental design for a faucet, as shown and described.

DESCRIPTION

FIG. 1 is a perspective view of a faucet showing our new design;

FIG. 2 is a top plan view thereof;

FIG. 3 is a bottom view thereof;

FIG. 4 is a right side view thereof;

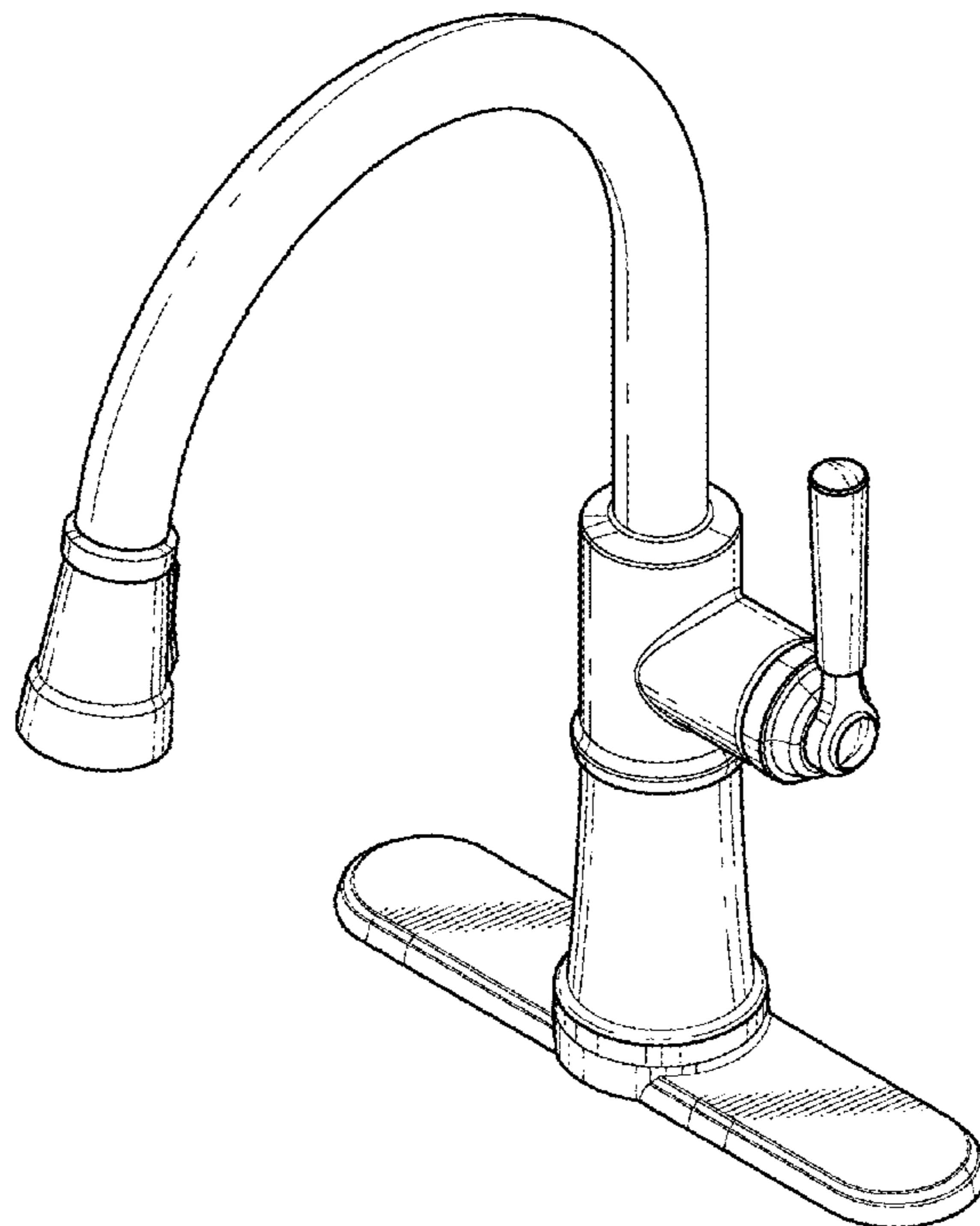
FIG. 5 is a left side view thereof;

FIG. 6 is a front elevational view thereof; and,

FIG. 7 is a rear view thereof.

The broken-line disclosure in the view represents a portion of the faucet in which the claimed design is embodied, but which forms no part of the claimed design.

1 Claim, 4 Drawing Sheets



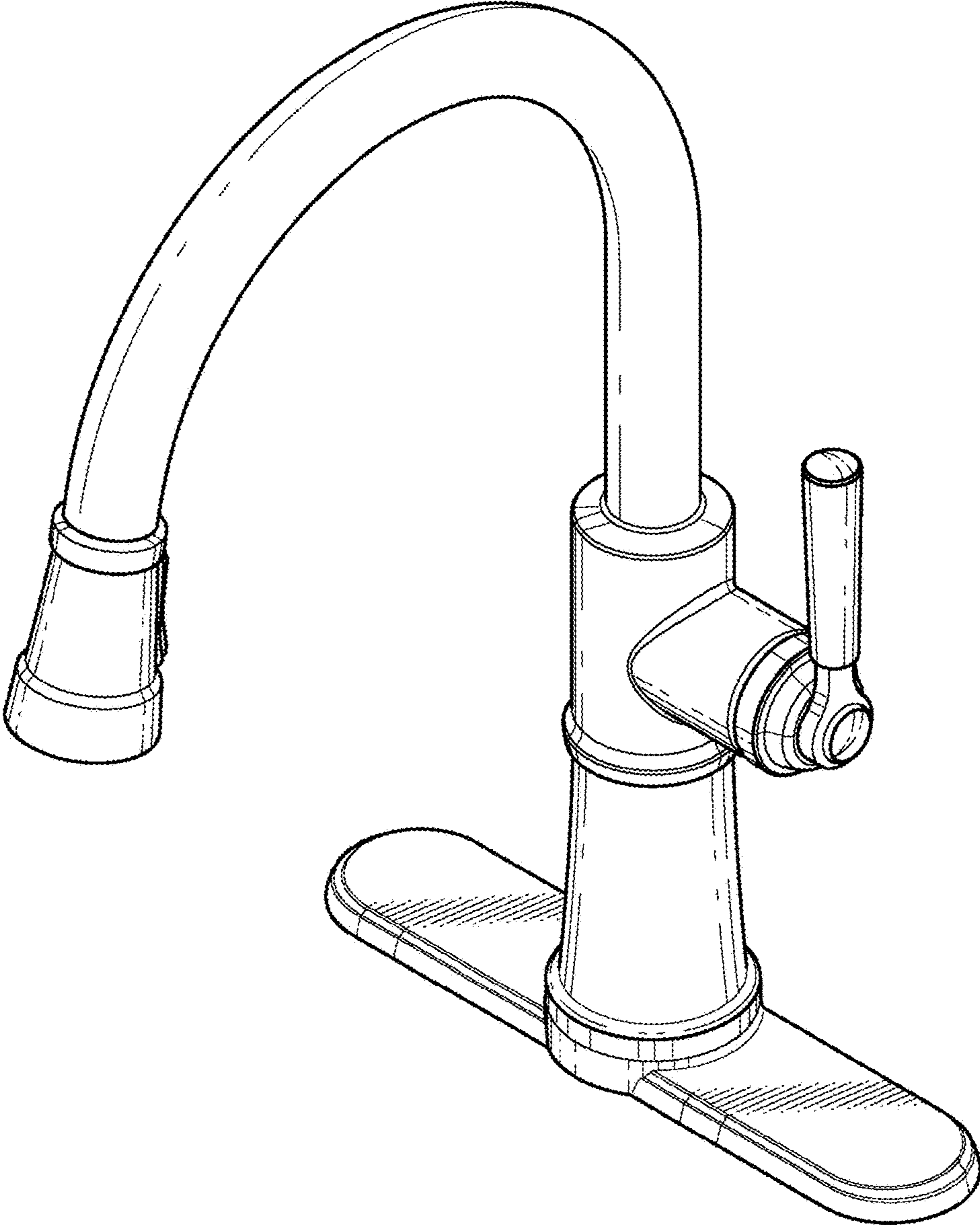


Fig-1

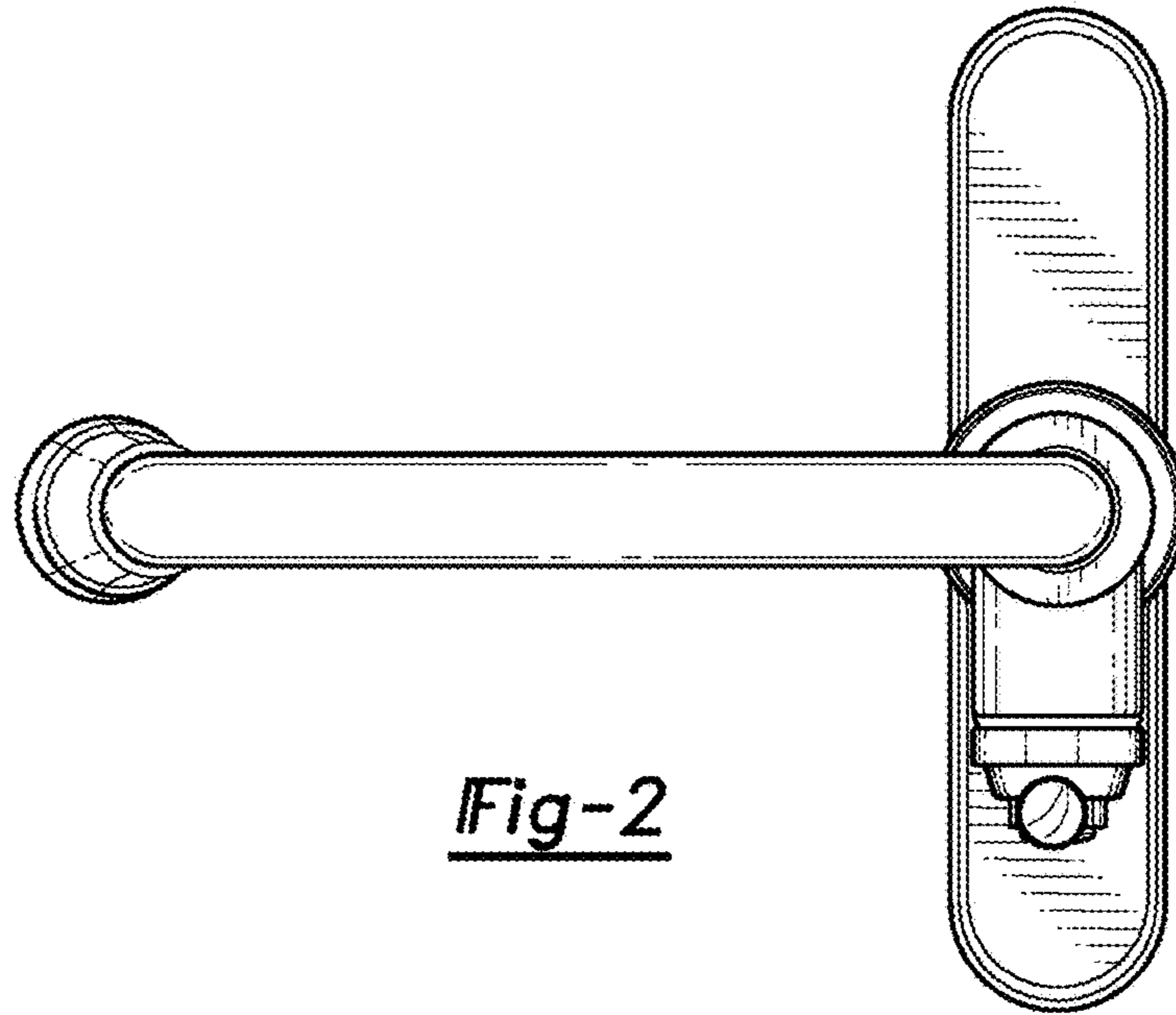


Fig-2

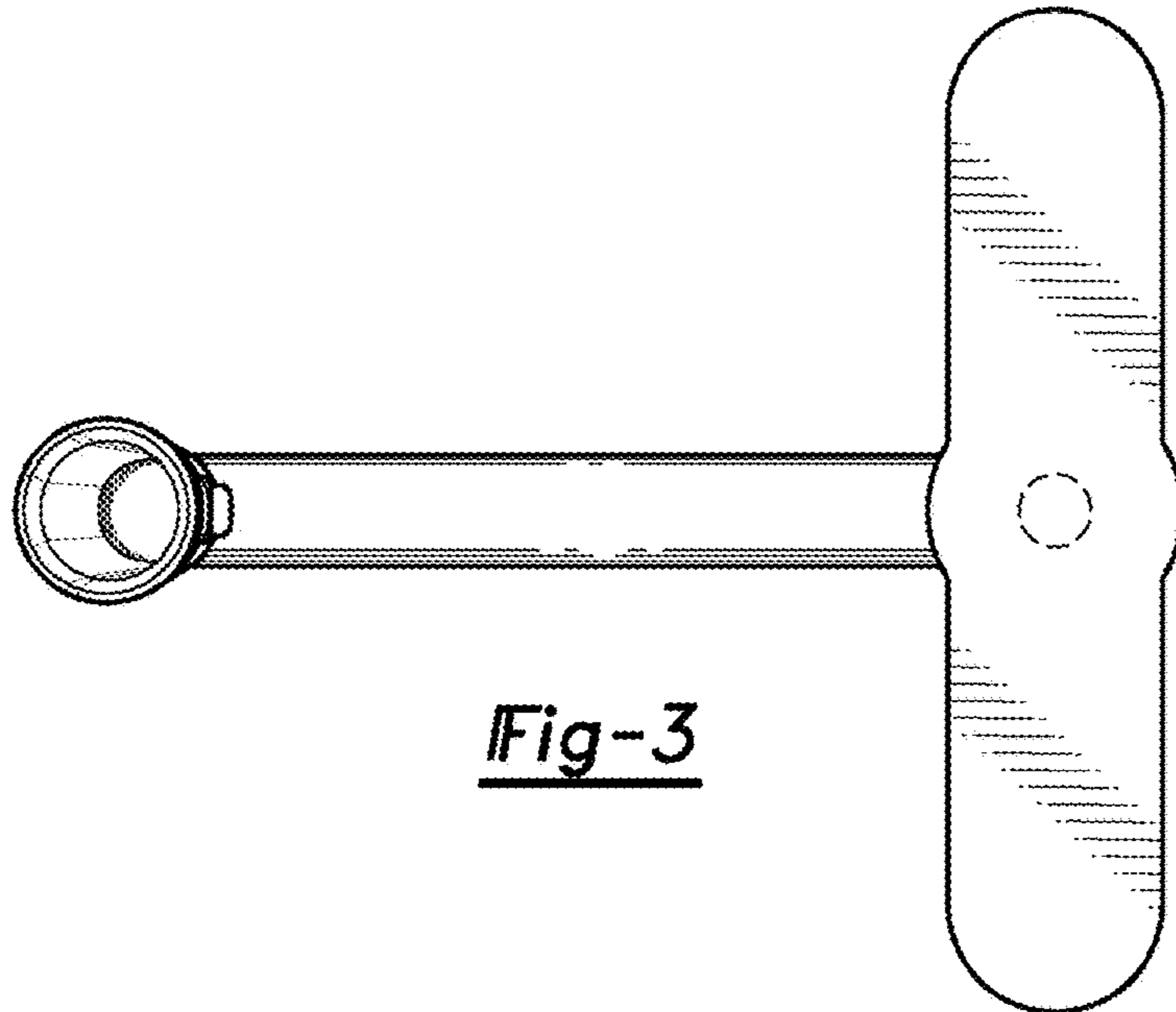


Fig-3

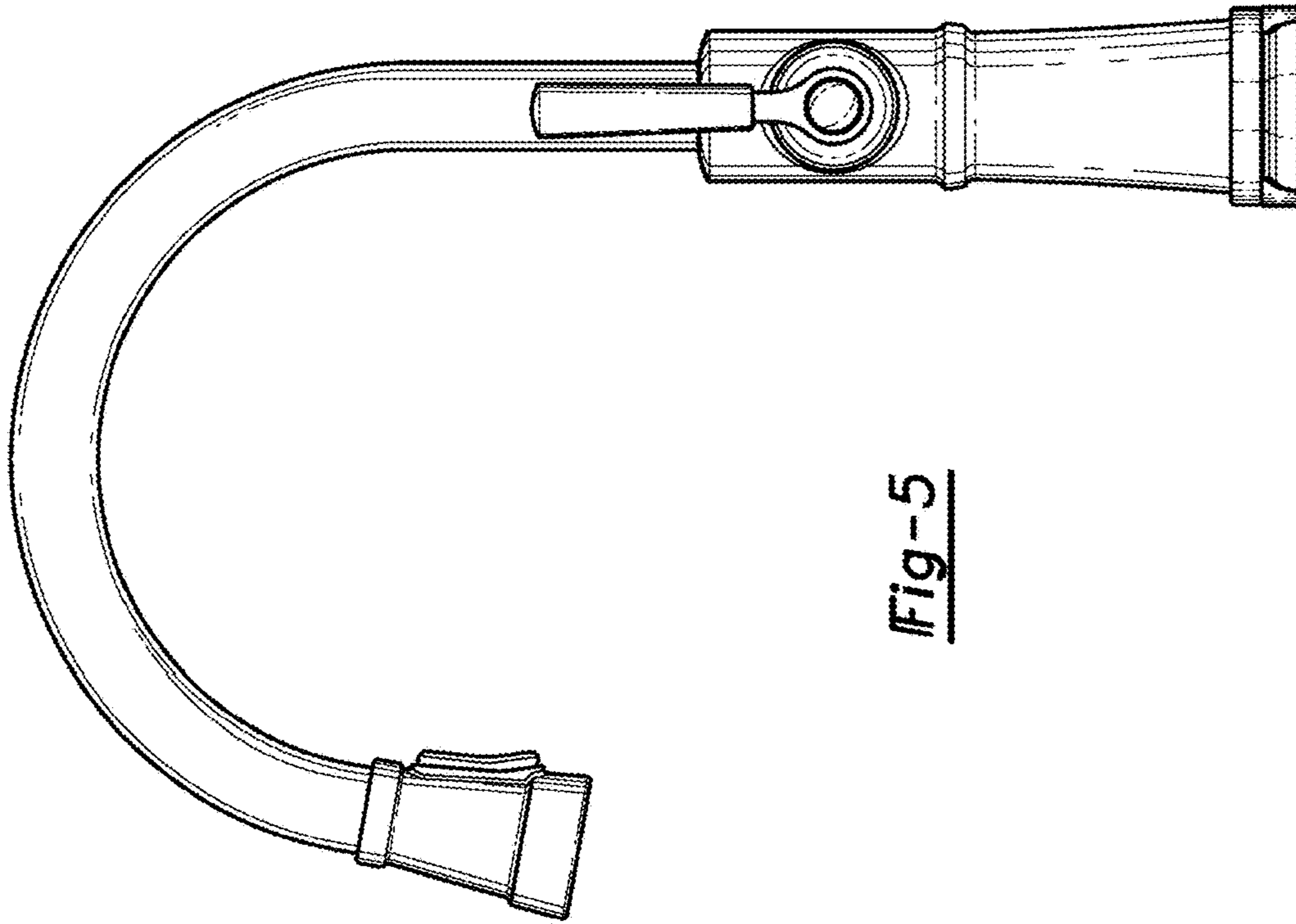


Fig-5

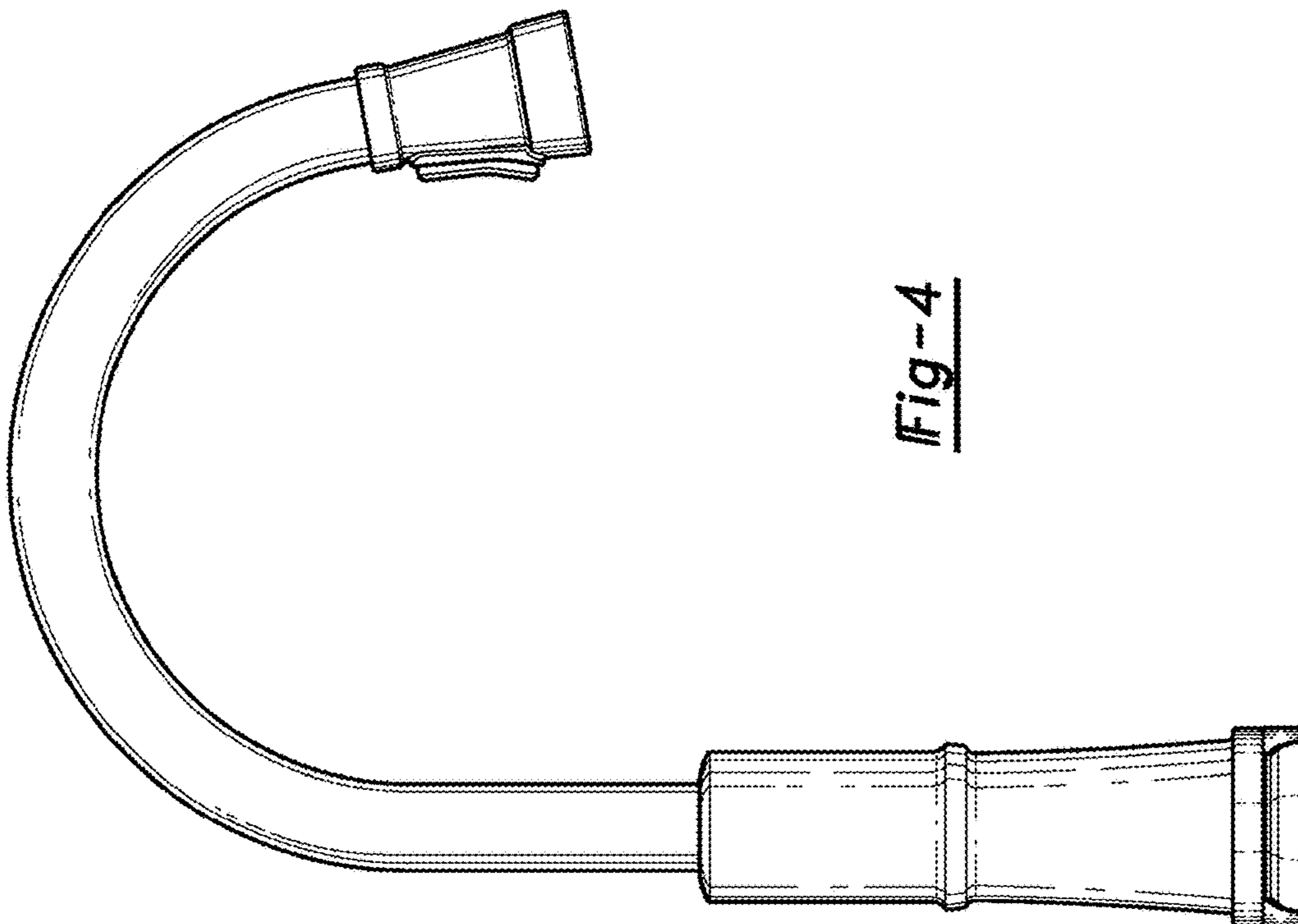


Fig-4

