



US00D840505S

(12) **United States Design Patent**
Zhang

(10) **Patent No.:** **US D840,505 S**

(45) **Date of Patent:** **** Feb. 12, 2019**

(54) **STOPCOCK**

(71) Applicant: **Xinrui Zhang**, Kaiping (CN)

(72) Inventor: **Xinrui Zhang**, Kaiping (CN)

(**) Term: **15 Years**

(21) Appl. No.: **29/611,193**

(22) Filed: **Jul. 19, 2017**

(30) **Foreign Application Priority Data**

Jul. 17, 2017 (CN) 2017 3 0314956

(51) **LOC (11) Cl.** **23-01**

(52) **U.S. Cl.**
USPC **D23/238**

(58) **Field of Classification Search**
USPC D23/238-243, 249, 252-254, 255, 257,
D23/226; D08/307-308
CPC E03C 1/04; E03C 1/0401; E03C 1/0405;
E03C 1/0404; E03C 1/0414; E03C
1/0411; E03C 1/0415; E03C 1/0417;
Y10T 137/9464
See application file for complete search history.

(56) **References Cited**

U.S. PATENT DOCUMENTS

D539,870 S * 4/2007 Lammel D23/238
D587,344 S * 2/2009 Schoenherr D23/252

D631,530 S * 1/2011 Romero D23/252
D693,906 S * 11/2013 Zhang D23/238
D723,661 S * 3/2015 Zhang D23/238
D761,392 S * 7/2016 Hanna D23/255
D808,500 S * 1/2018 Wang D23/238

* cited by examiner

Primary Examiner — Robert A Delehanty

(74) *Attorney, Agent, or Firm* — Gokalp Bayramoglu

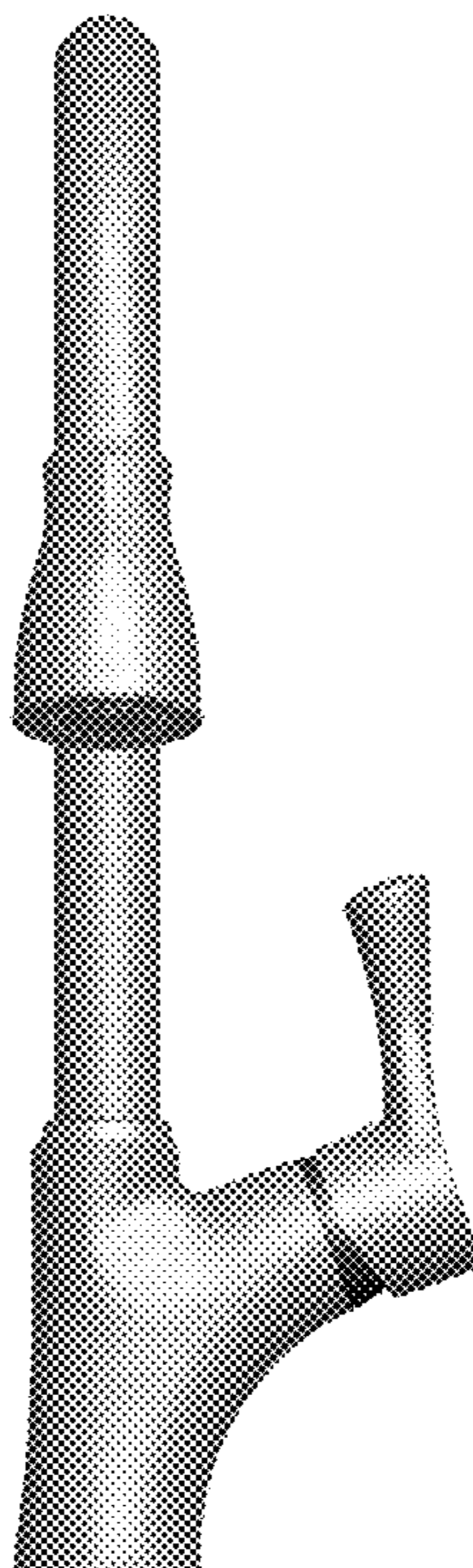
(57) **CLAIM**

The ornamental design for a stopcock, as shown and described.

DESCRIPTION

FIG. 1 is a front view of a stopcock showing my new design in accordance with an embodiment;
FIG. 2 is a back view of the stopcock of FIG. 1;
FIG. 3 is a left side view of the stopcock;
FIG. 4 is a right side view of the stopcock;
FIG. 5 is a top view of the stopcock;
FIG. 6 is a bottom view of the stopcock; and,
FIGS. 7 and 8 are a front perspective view of the stopcock.

1 Claim, 8 Drawing Sheets



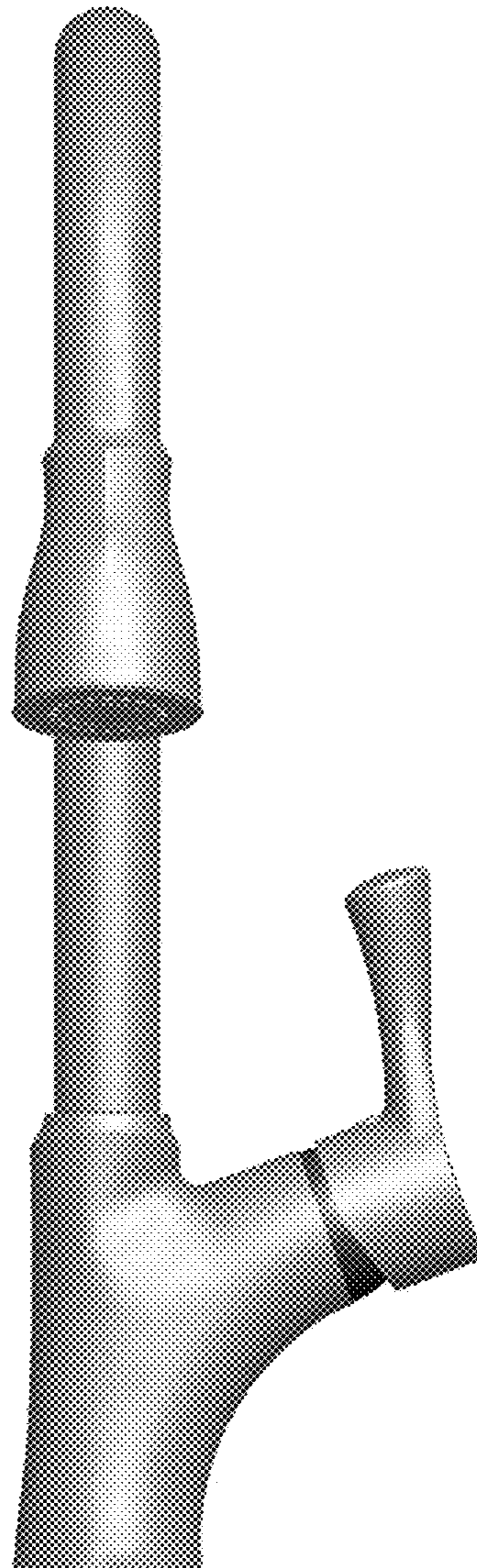


FIG. 1

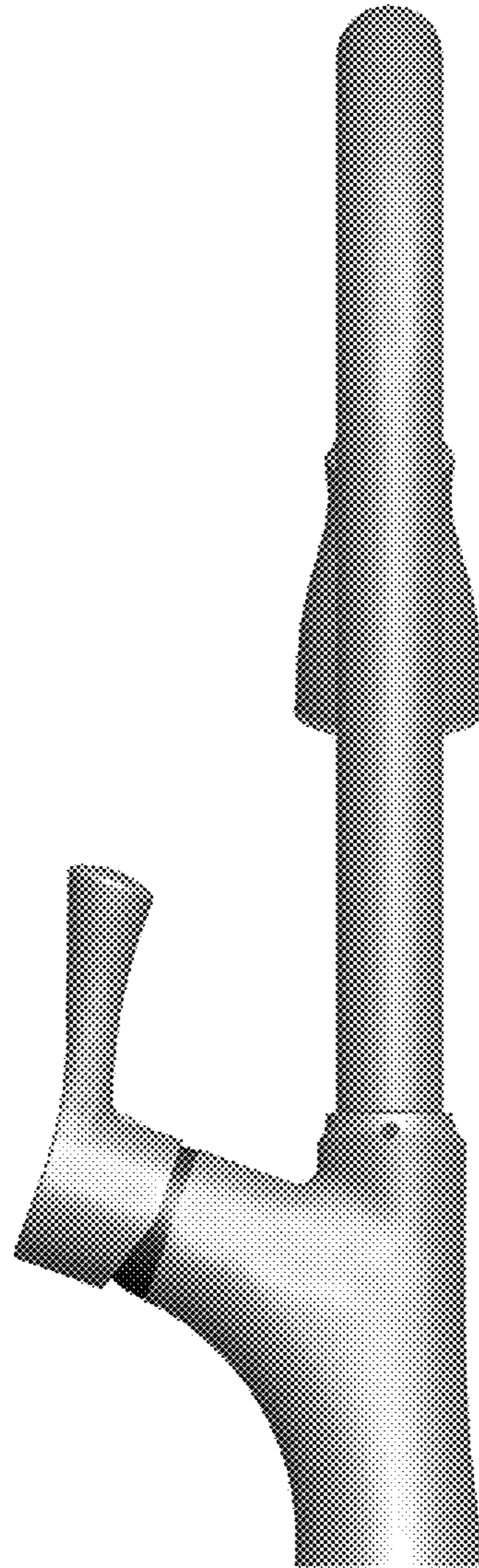


FIG. 2

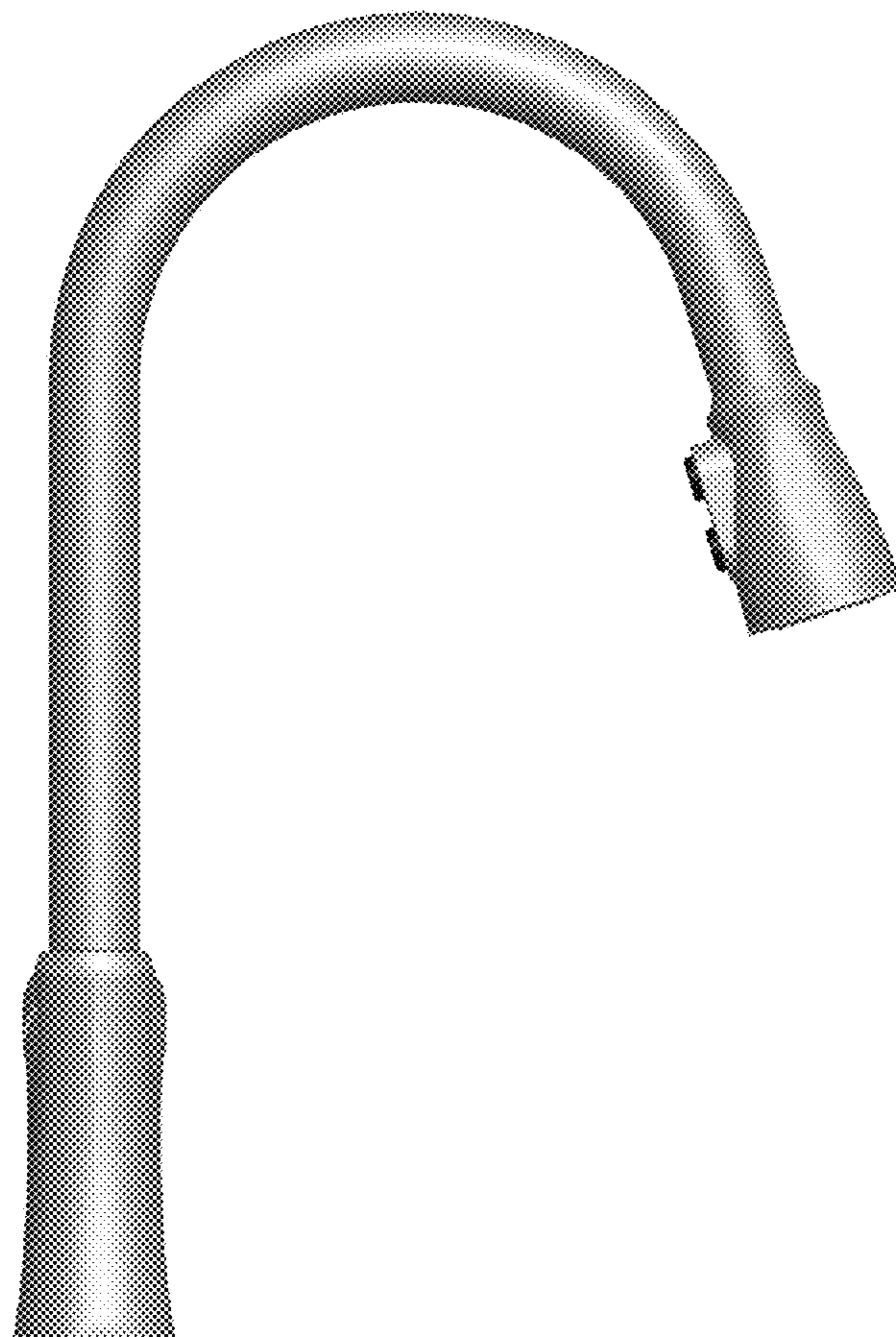


FIG. 3

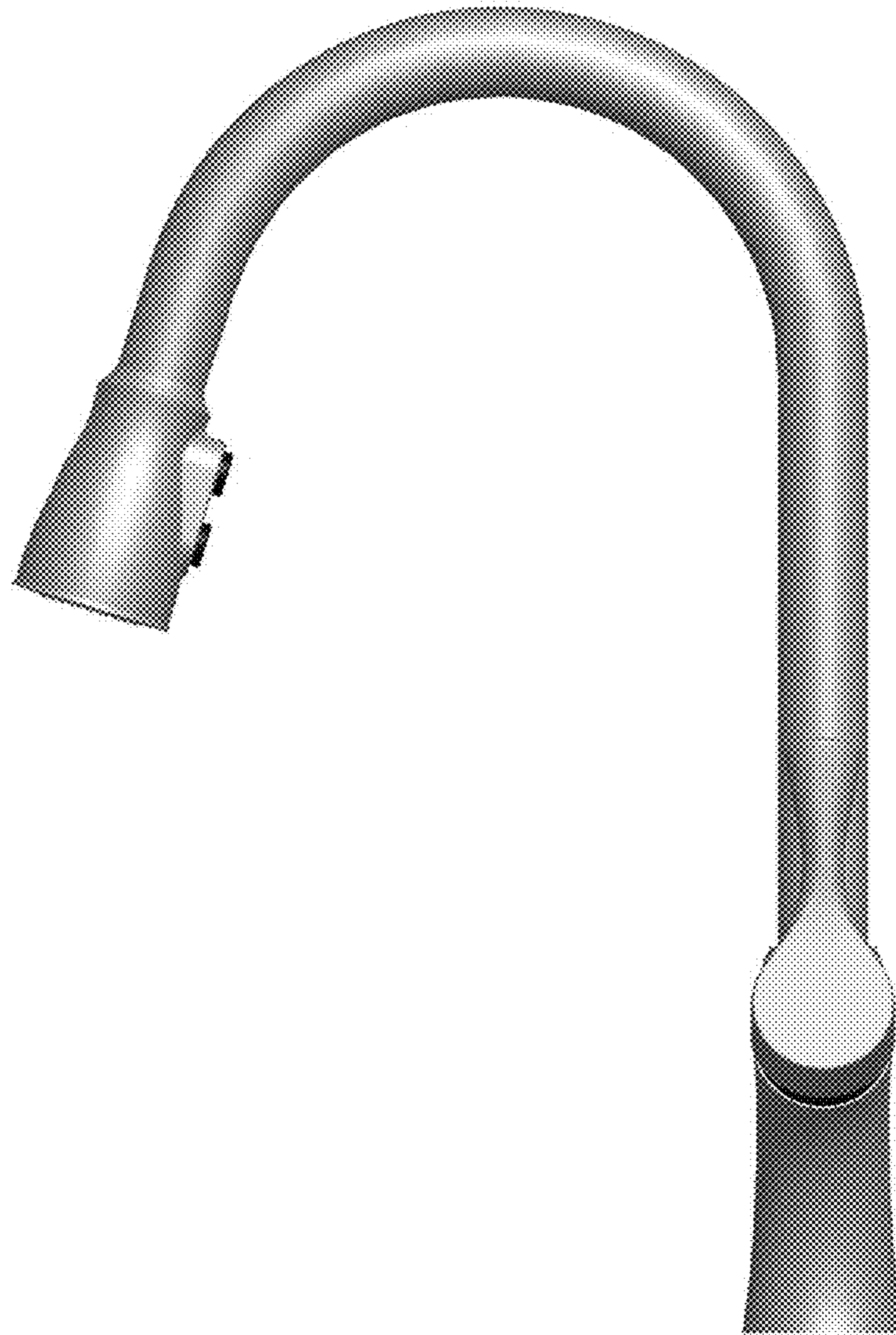


FIG. 4

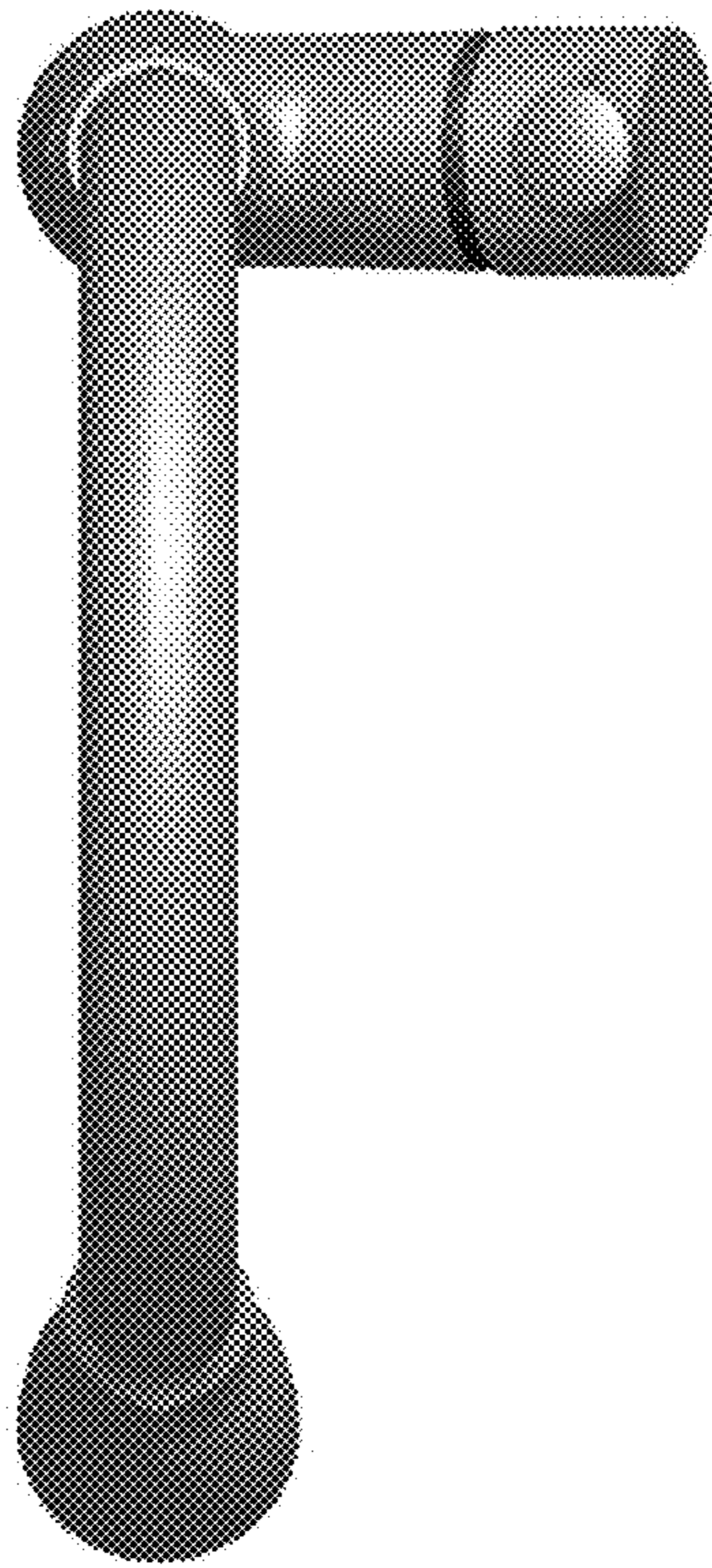


FIG. 5

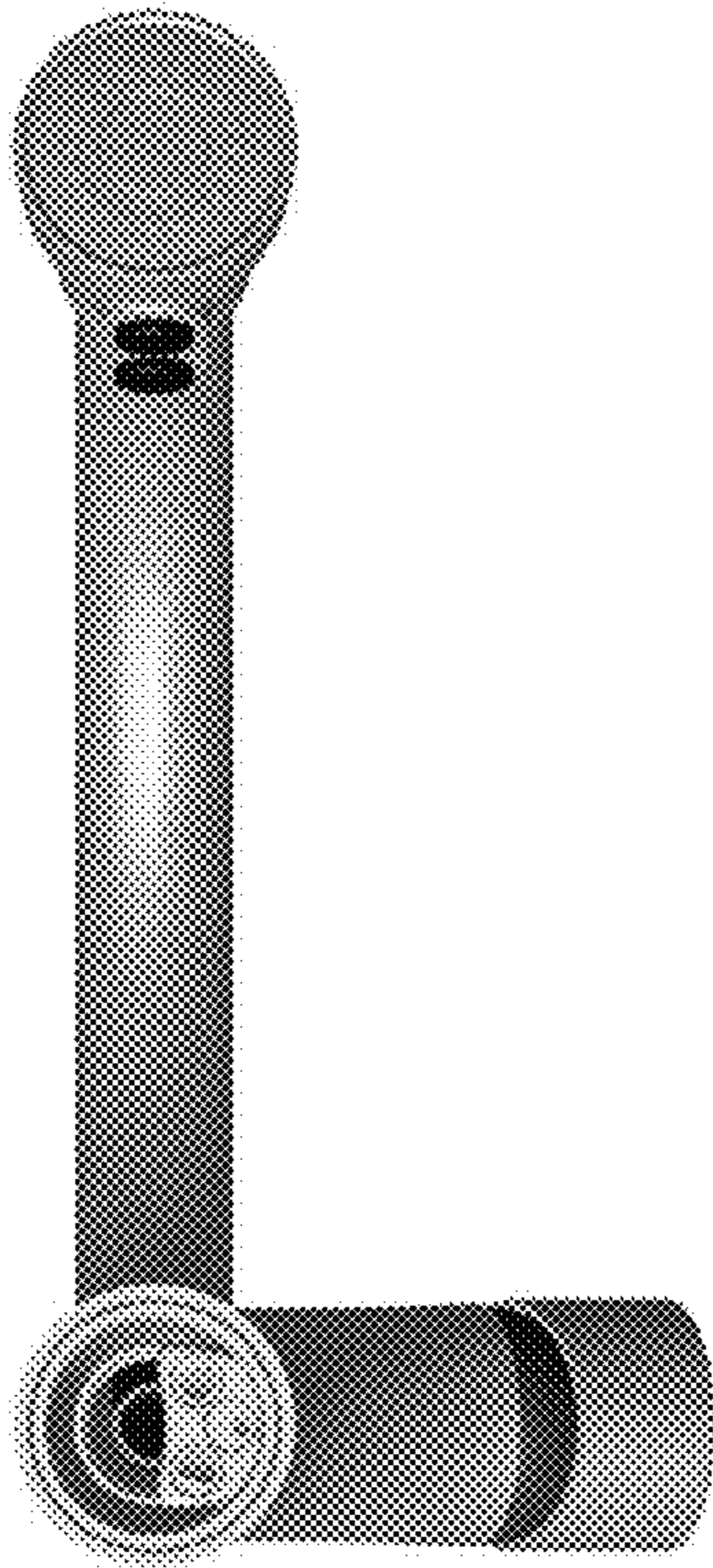


FIG. 6

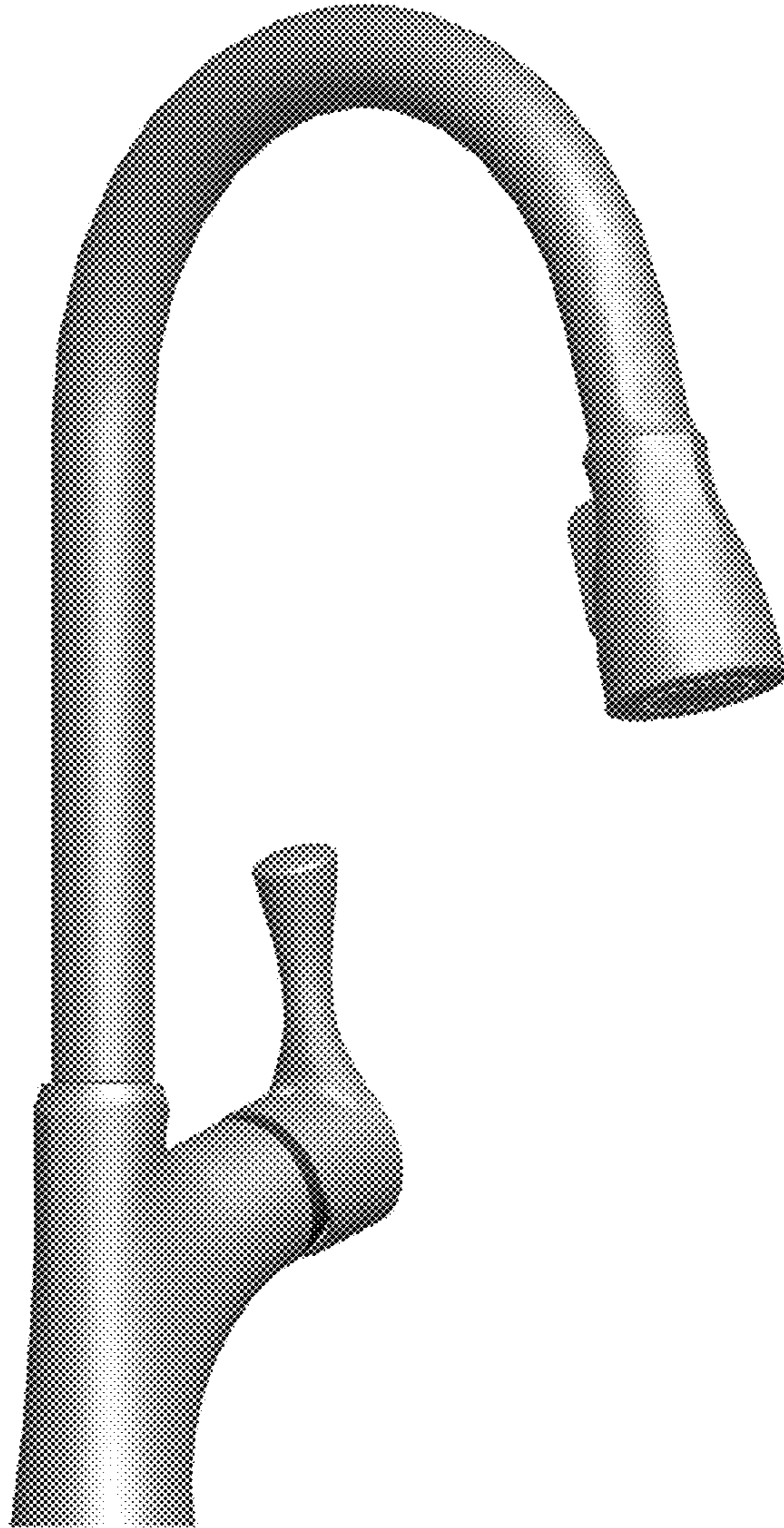


FIG. 7

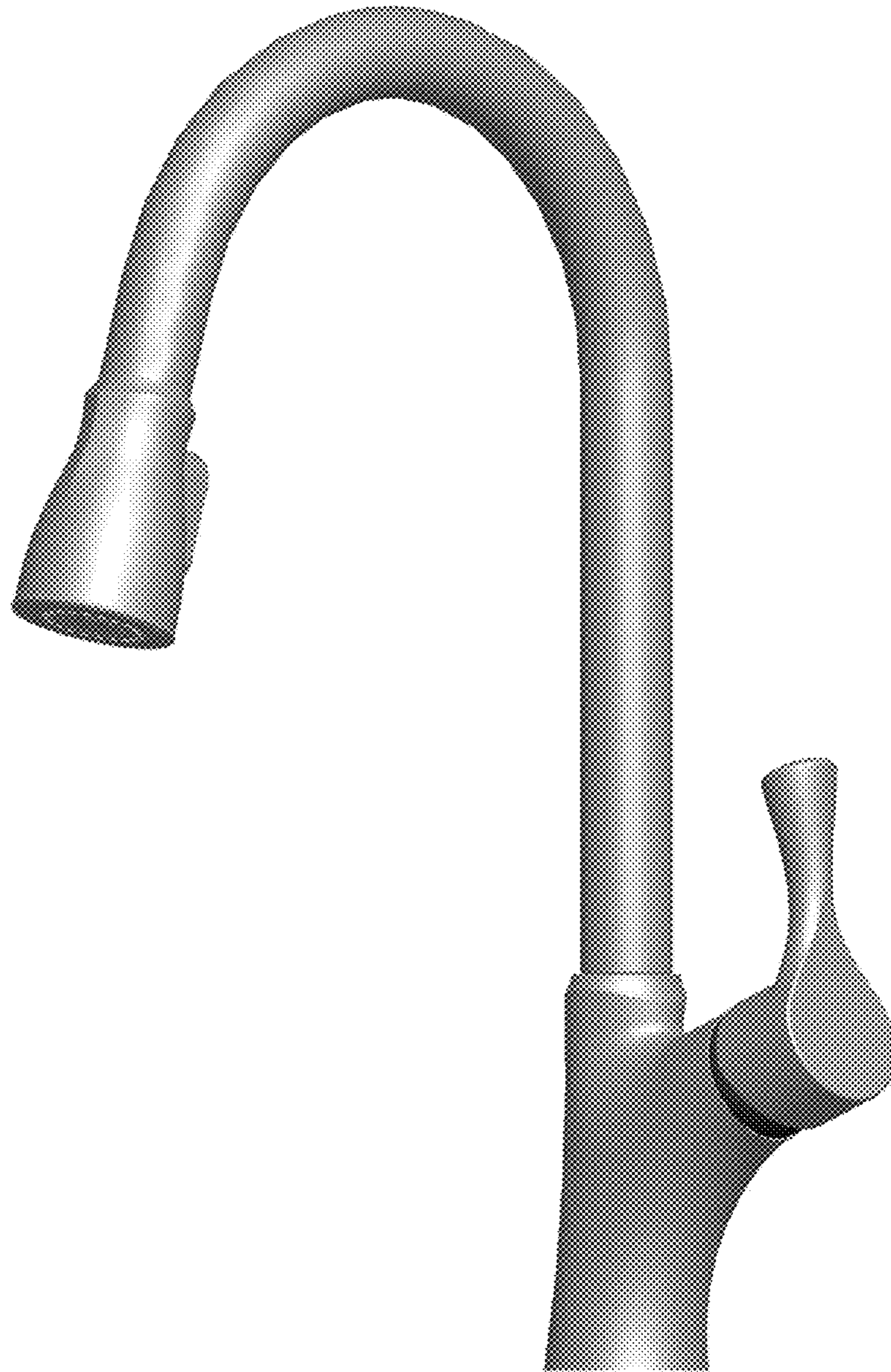


FIG. 8