



US00D840504S

(12) **United States Design Patent** (10) **Patent No.:** **US D840,504 S**
Bayyouk et al. (45) **Date of Patent:** **** Feb. 12, 2019**

(54) **VALVE MEMBER**
(71) Applicant: **S.P.M. FLOW CONTROL, INC.**, Fort Worth, TX (US)
(72) Inventors: **Jacob A. Bayyouk**, Richardson, TX (US); **Charles Hensley**, Burleson, TX (US)
(73) Assignee: **S.P.M. FLOW CONTROL, INC.**, Fort Worth, TX (US)

D316,292 S 4/1991 Baker
5,226,445 A 7/1993 Surjaatmadja
D381,067 S * 7/1997 Karmalm D23/249
D382,943 S 8/1997 Doughty
5,921,418 A 7/1999 Pugh
D443,040 S 5/2001 Fabian
D470,226 S 2/2003 Herbert
D600,319 S * 9/2009 Downing D23/233
D626,208 S 10/2010 Clements
D682,989 S * 5/2013 Eagle A61M 15/0086
D23/233

(Continued)

(**) Term: **15 Years**

OTHER PUBLICATIONS

(21) Appl. No.: **29/616,080**

Weir "Novatech Well Services Valve and Seats", Dec. 16, 2017. <https://www.global.weir/products/product-catalogue/novatech-full-open-well-service-valves-and-seats/>. Shown on p. 1. (Year: 2017).*

(22) Filed: **Sep. 1, 2017**

(Continued)

Related U.S. Application Data

(63) Continuation of application No. 29/556,055, filed on Feb. 26, 2016, now Pat. No. Des. 796,632.

Primary Examiner — Cynthia Ramirez
Assistant Examiner — Michael A Maharajh
(74) *Attorney, Agent, or Firm* — Haynes and Boone LLP

(51) **LOC (11) Cl.** **23-01**

(52) **U.S. Cl.**
USPC **D23/233**

(57) **CLAIM**

(58) **Field of Classification Search**
USPC D23/233, 234, 235, 236, 237, 238, 239, D23/240, 241, 242, 243, 244, 245, 246, D23/247, 248, 249, 250, 259, 255; 4/255.03, 420, 440, 661; 137/1, 14, 50, 137/57, 596.14, 487.5, 625.64, 557, 558, 137/554, 217; D10/85; 141/64, 198, 141/294; 251/332, 333, 282
CPC E04H 4/1236; F16K 11/072; F16K 27/04; F16K 31/16
See application file for complete search history.

The ornamental design for a valve member, as shown and described.

DESCRIPTION

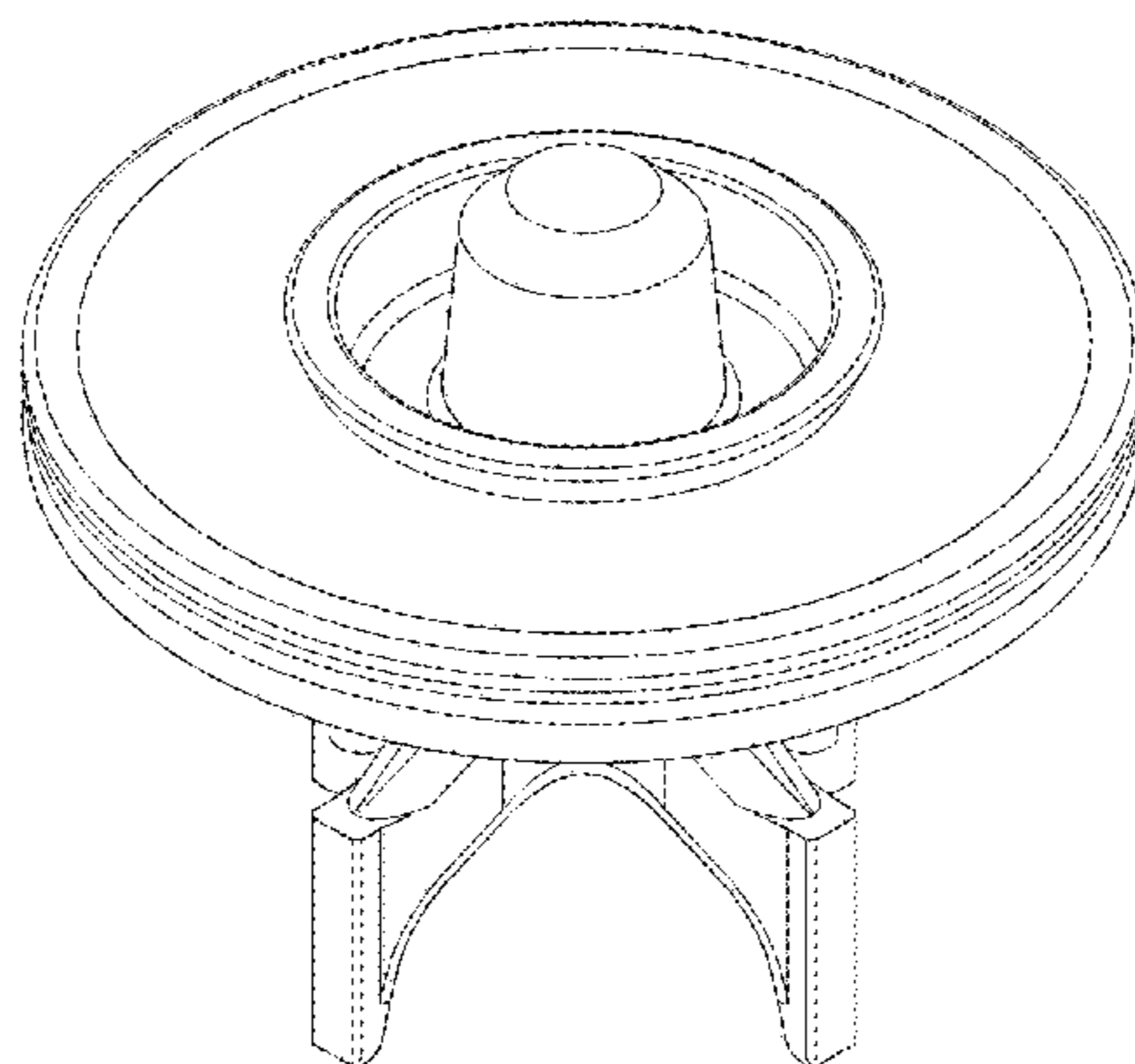
(56) **References Cited**

U.S. PATENT DOCUMENTS

D154,624 S * 7/1949 Niesemann et al. D23/235
D268,048 S * 2/1983 Ueda D23/248
D309,938 S 8/1990 Schoepe

FIG. 1 is a top perspective view of a valve member showing our new design;
FIG. 2 is a bottom perspective view thereof;
FIG. 3 is a top plan view thereof;
FIG. 4 is a bottom plan view thereof;
FIG. 5 is a front elevational view, the rear, left and right elevational views being a mirror image thereof; and,
FIG. 6 is another elevational view thereof.
The broken lines shown in the figures are for the purposes of illustrating portions of the valve member, which form no part of the claimed design.

1 Claim, 3 Drawing Sheets



(56)

References Cited

U.S. PATENT DOCUMENTS

D683,819	S	*	6/2013	Watanabe	D23/233
D692,534	S		10/2013	Fangmeier		
D707,795	S	*	6/2014	Huang	D23/233
D720,042	S	*	12/2014	Walsh	D23/233
D720,045	S	*	12/2014	Landi	D23/233
D739,499	S	*	9/2015	Shorey	D23/248
D739,919	S	*	9/2015	Alexander	D23/233
D745,637	S	*	12/2015	Penkkimaki	D23/233
D750,750	S	*	3/2016	Penkkimaki	D23/233
D750,752	S	*	3/2016	Penkkimaki	D23/233
D750,753	S	*	3/2016	Penkkimaki	D23/233
D754,817	S	*	4/2016	Dille	D23/233
D796,632	S	*	9/2017	Bayyouk	D23/233
2002/0079332	A1		6/2002	McIntire et al.		
2013/0015385	A1		1/2013	Marica		
2013/0020521	A1		1/2013	Byrne		
2013/0036855	A1		2/2013	Huang		
2014/0070127	A1		3/2014	Blume		

OTHER PUBLICATIONS

Weir "SPM.RTM. 2.0 Valve & Seat", <https://www.global.weir/products/product-catalogue/spm-2.0-full-open-well--service-valves-and-seats>. Dec. 21, 2016. shown in p. 1, Item # SPM 2.0.

International Search Report and Written Opinion re related application PCT/US16/40802, dated Dec. 28, 2016, 12 pages.

Ex Parte Quayle Action for U.S. Appl. No. 29/556,055 dated Jan. 3, 2017, 7 pages.

Notice of Allowance for U.S. Appl. No. 29/556,055 dated May 2, 2017, 5 pages.

* cited by examiner

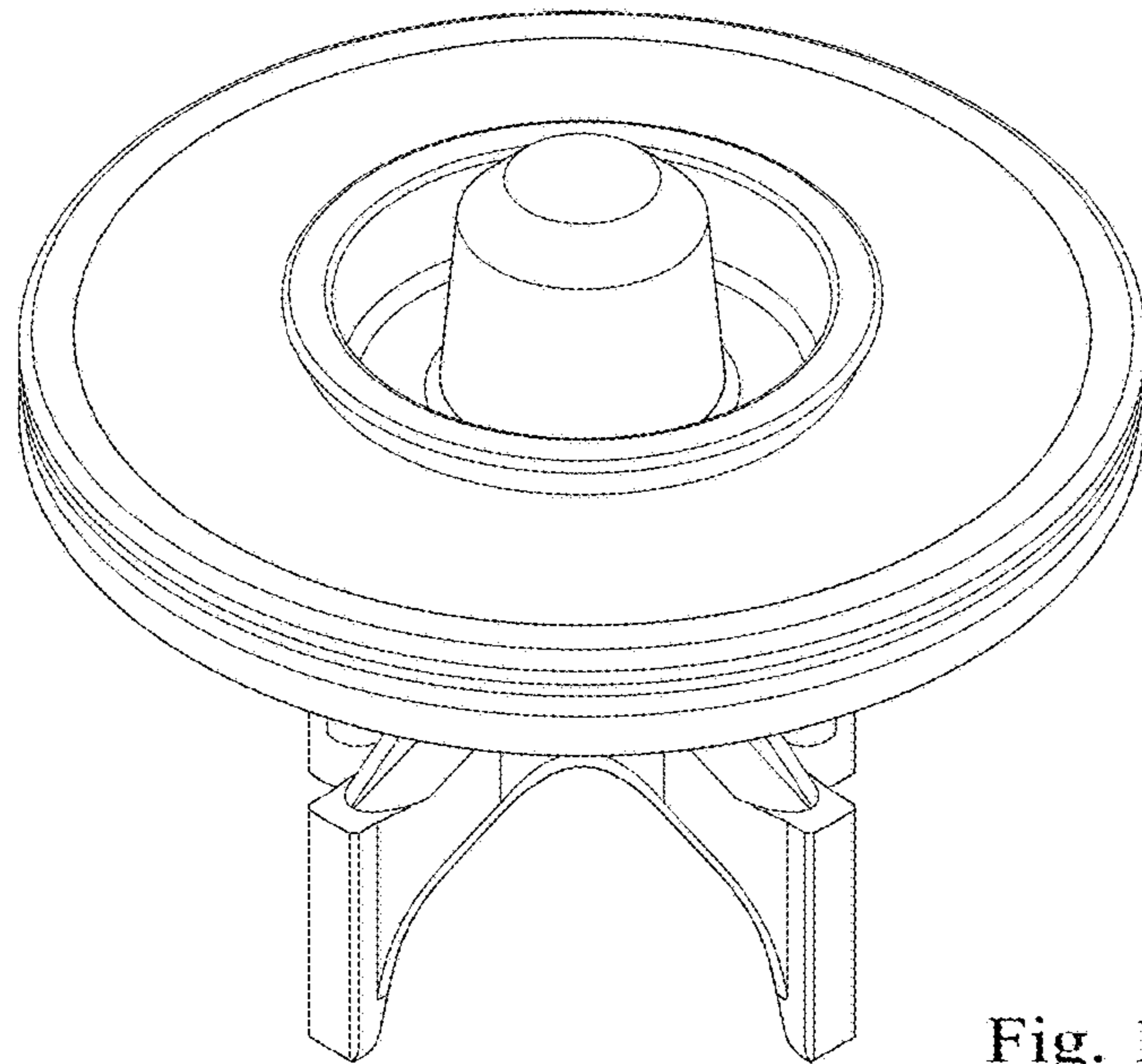


Fig. 1

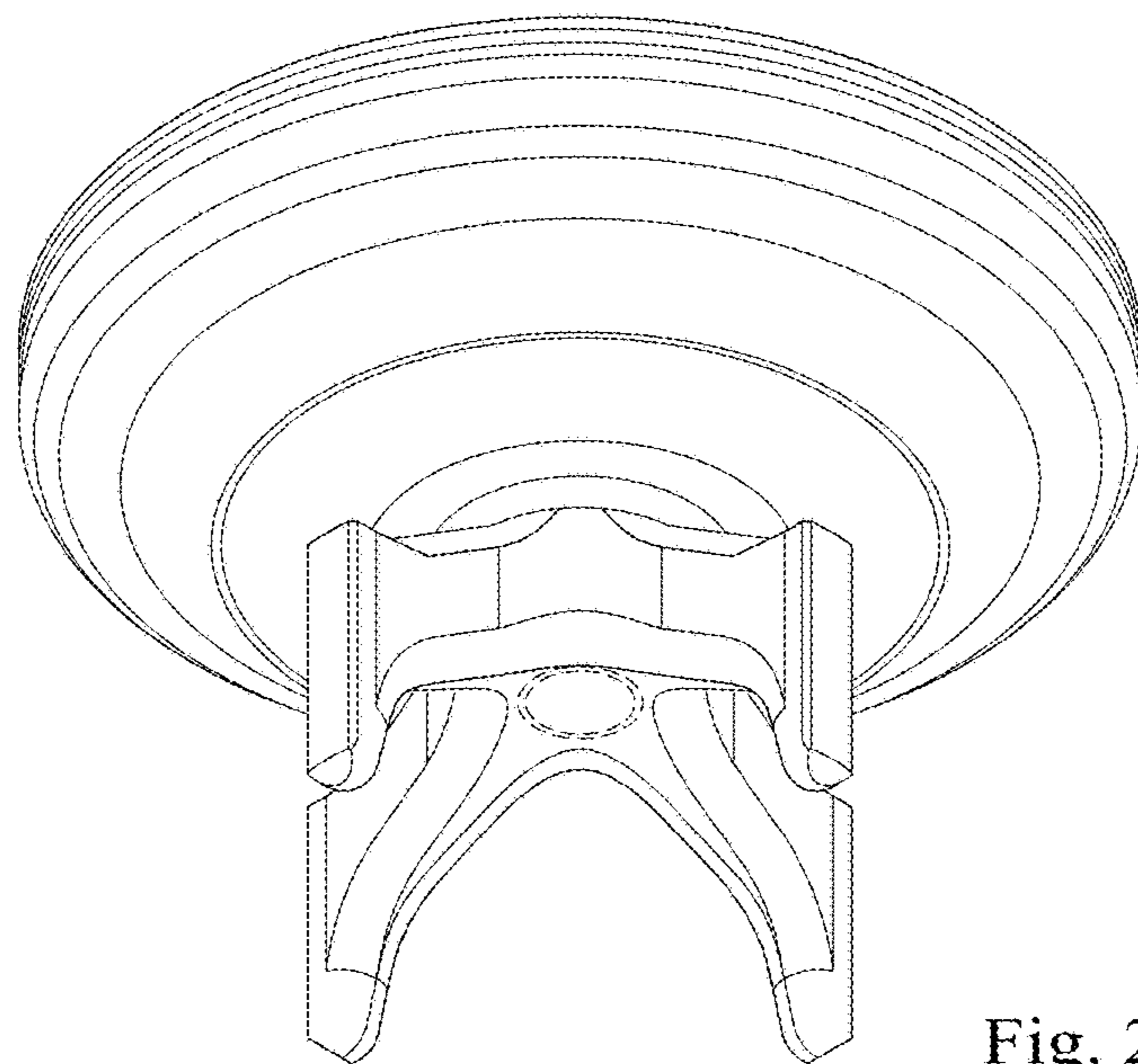


Fig. 2

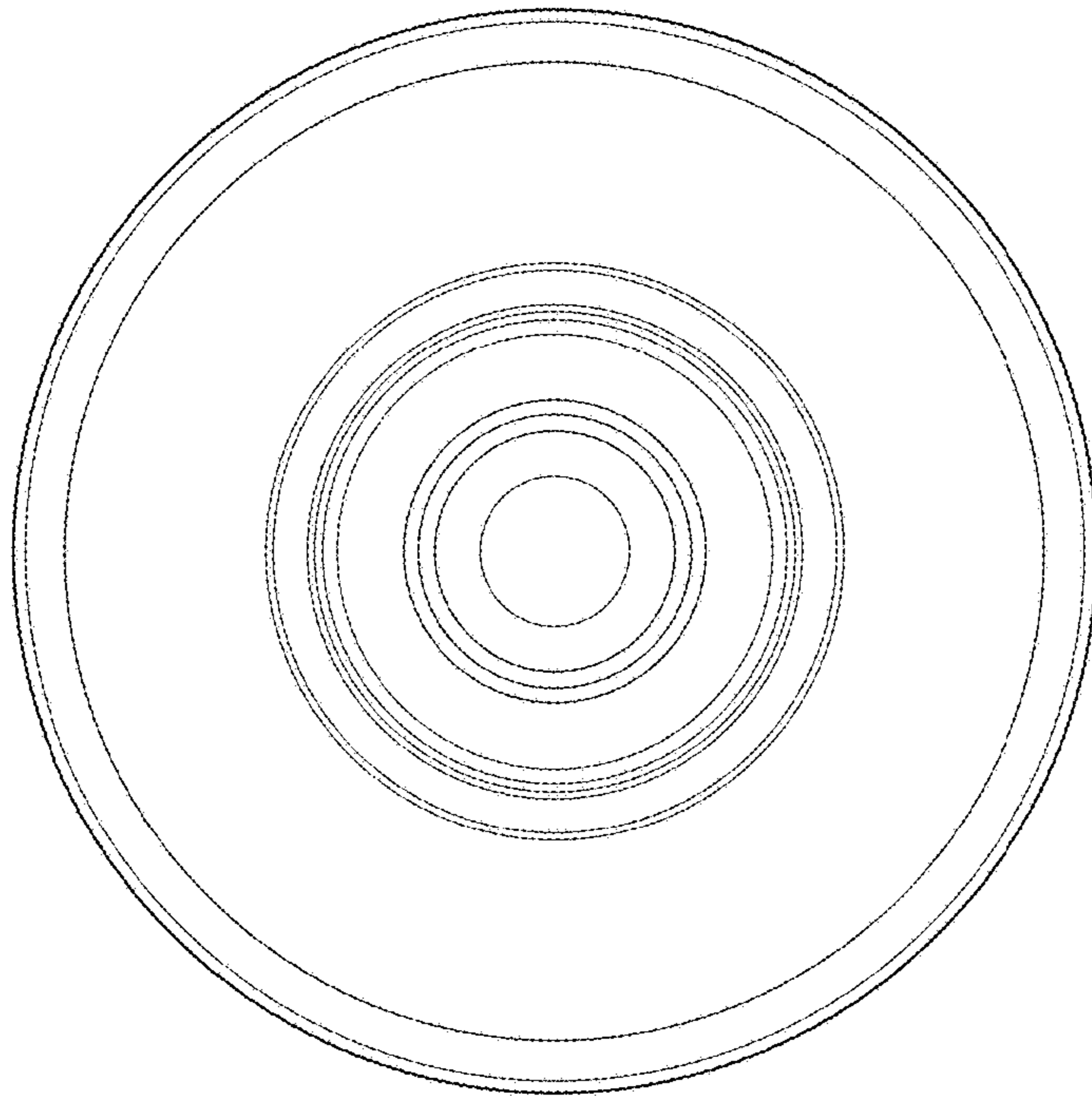


Fig. 3

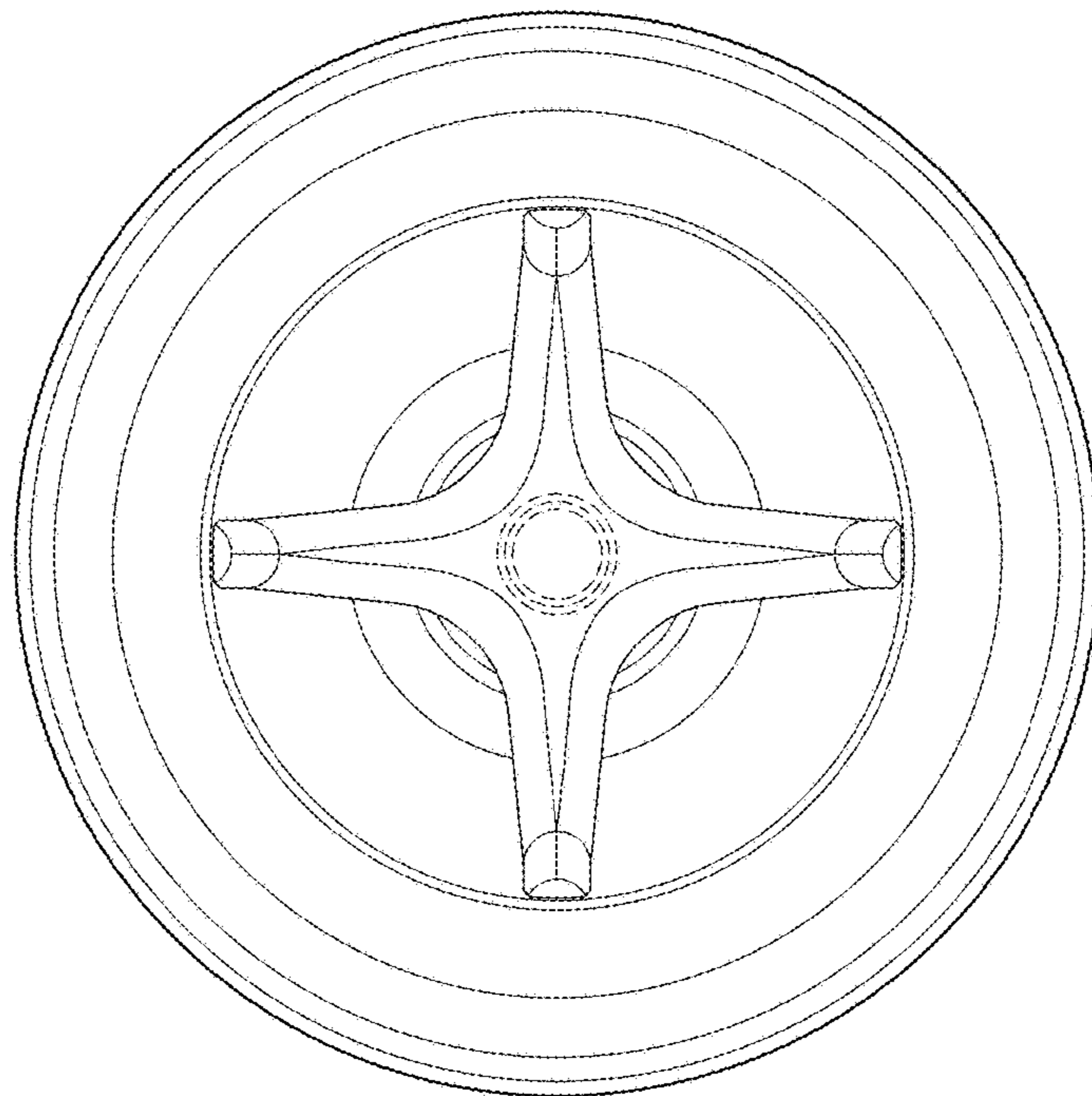


Fig. 4

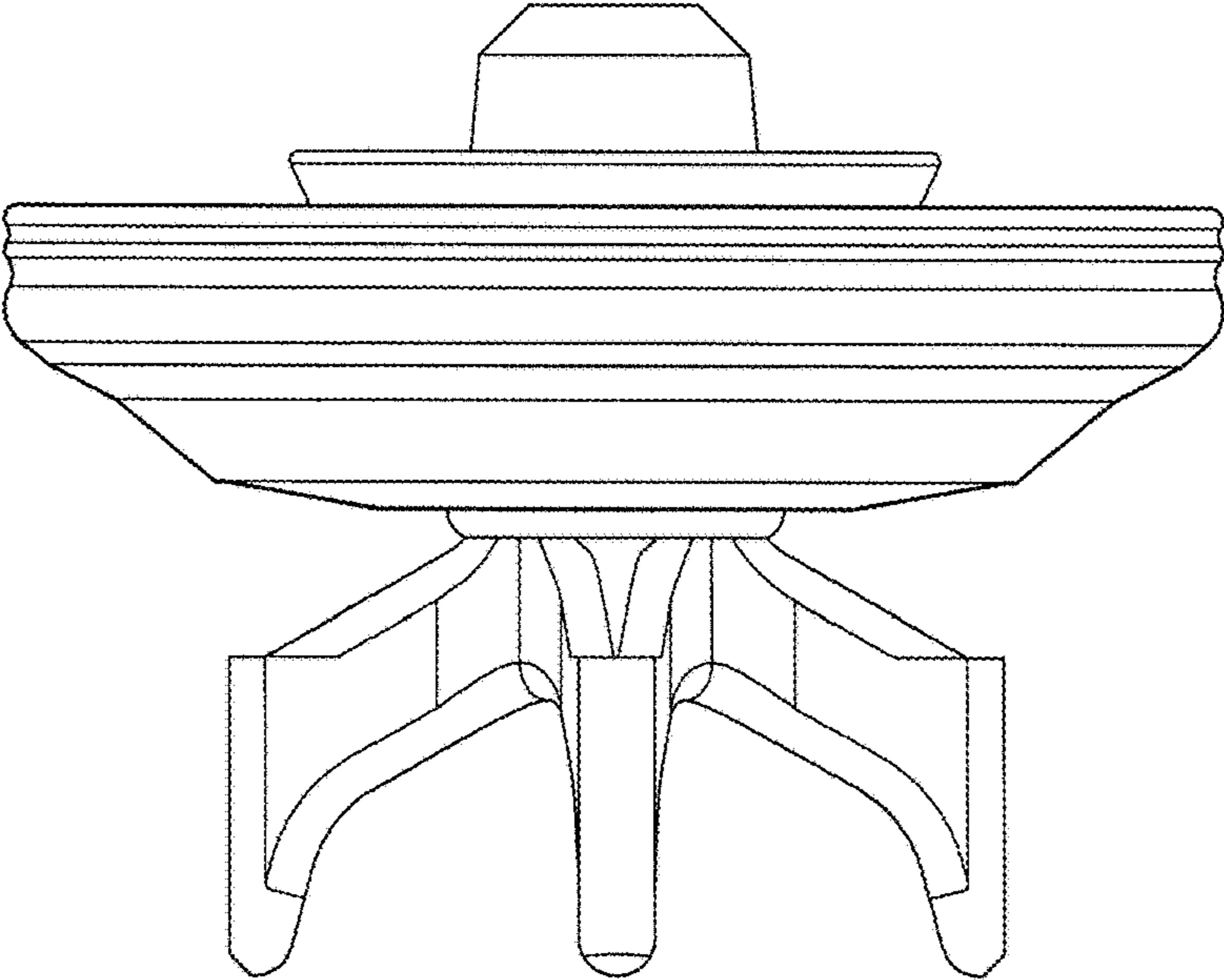


Fig. 5

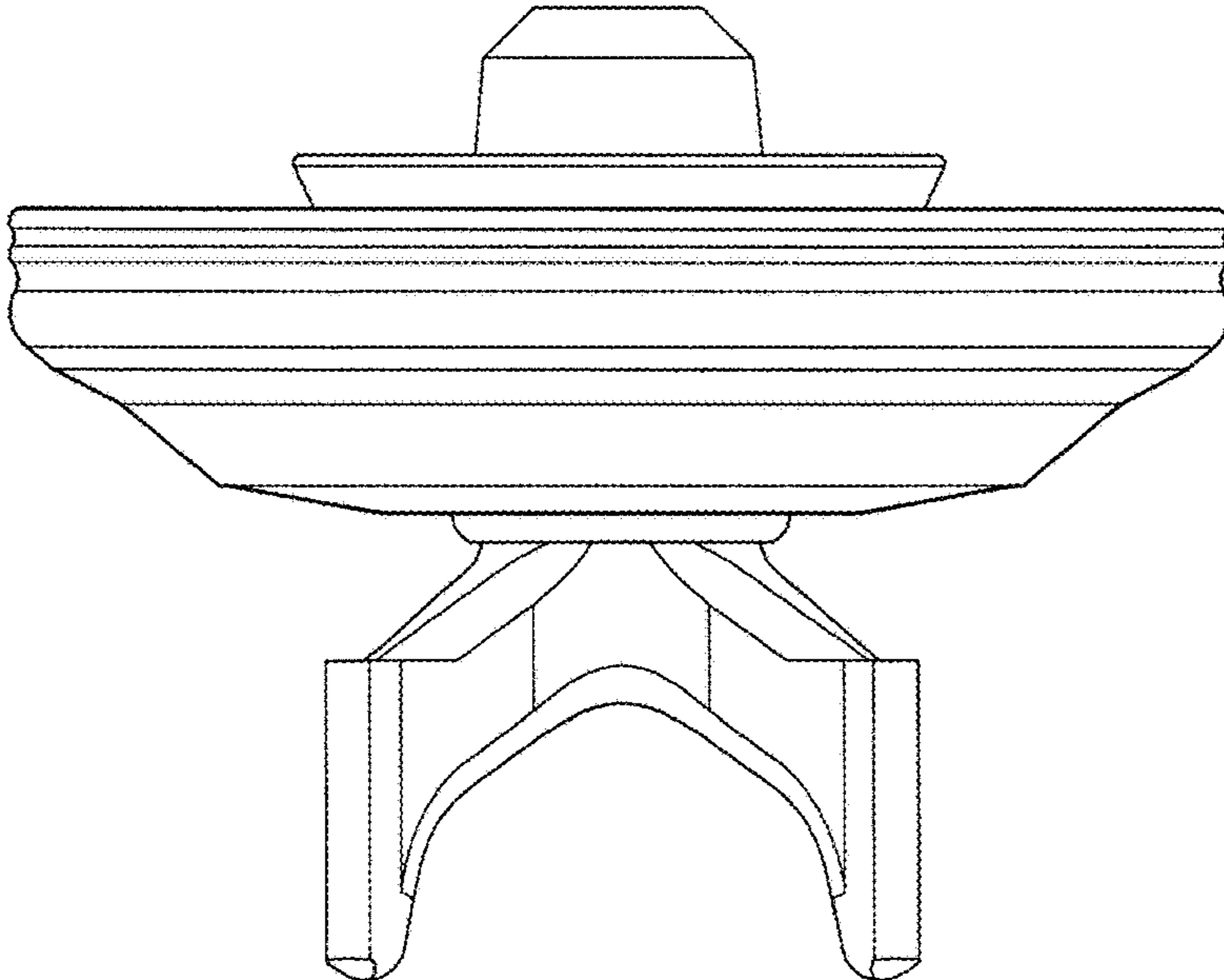


Fig. 6