

US00D840503S

(12) **United States Design Patent**
Stein

(10) **Patent No.:** **US D840,503 S**

(45) **Date of Patent:** **** Feb. 12, 2019**

- (54) **FAUCET STREAM STRAIGHTENER**
- (71) Applicant: **Neoperl GmbH**, Mullheim (DE)
- (72) Inventor: **Alexander Stein**, Ihringen (DE)
- (73) Assignee: **Neoperl GmbH**, Müllheim (DE)
- (**) Term: **15 Years**

- (21) Appl. No.: **29/601,338**
- (22) Filed: **Apr. 21, 2017**

Related U.S. Application Data

- (62) Division of application No. 29/533,077, filed on Jul. 14, 2015, now Pat. No. Des. 788,264.

(30) **Foreign Application Priority Data**

Mar. 3, 2015 (WO) DM/086 383

- (51) **LOC (11) Cl.** **23-01**

- (52) **U.S. Cl.**
USPC **D23/213**

- (58) **Field of Classification Search**
USPC D23/213, 249; 239/428.5, 437;
261/DIG. 22
CPC E03C 1/084
See application file for complete search history.

(56) **References Cited**

U.S. PATENT DOCUMENTS

- 7,374,366 B2 * 5/2008 Tasi E03C 1/084
210/456
- D684,241 S * 6/2013 Tempel D23/213

- D691,238 S * 10/2013 Grether D23/213
- 9,016,602 B2 * 4/2015 Grether E03C 1/08
239/428.5
- D728,739 S * 5/2015 Blum D23/213
- D728,740 S * 5/2015 Tempel D23/213
- 9,114,414 B2 * 8/2015 Stein E03C 1/084
- 9,249,564 B2 * 2/2016 Zoller E03C 1/084
- D752,710 S * 3/2016 Tempel D23/213
- D754,282 S * 4/2016 Blum D23/213
- 9,416,522 B2 * 8/2016 Tempel B05B 1/3033

* cited by examiner

Primary Examiner — Robin V Webster

(74) *Attorney, Agent, or Firm* — Volpe and Koenig, P.C.

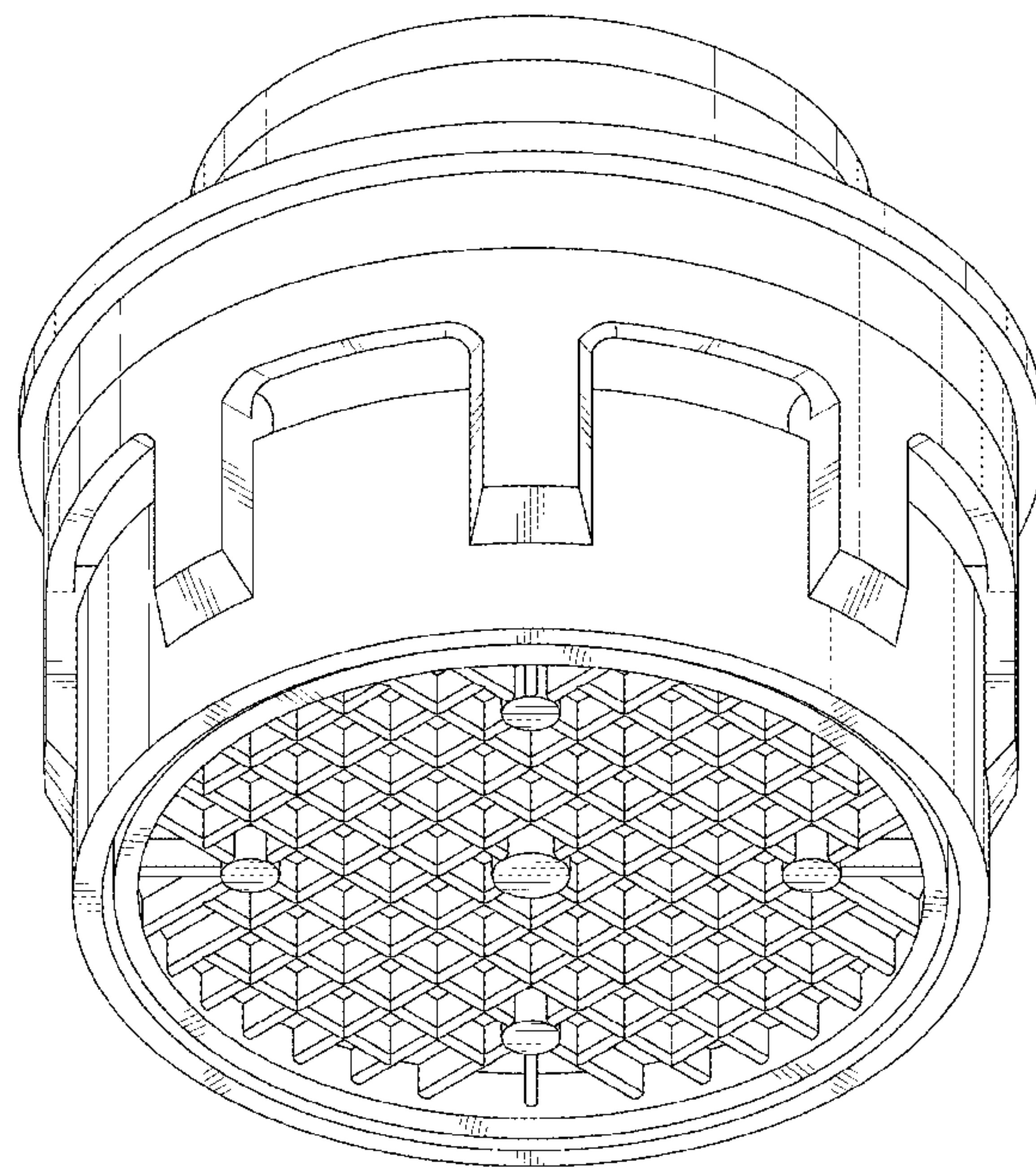
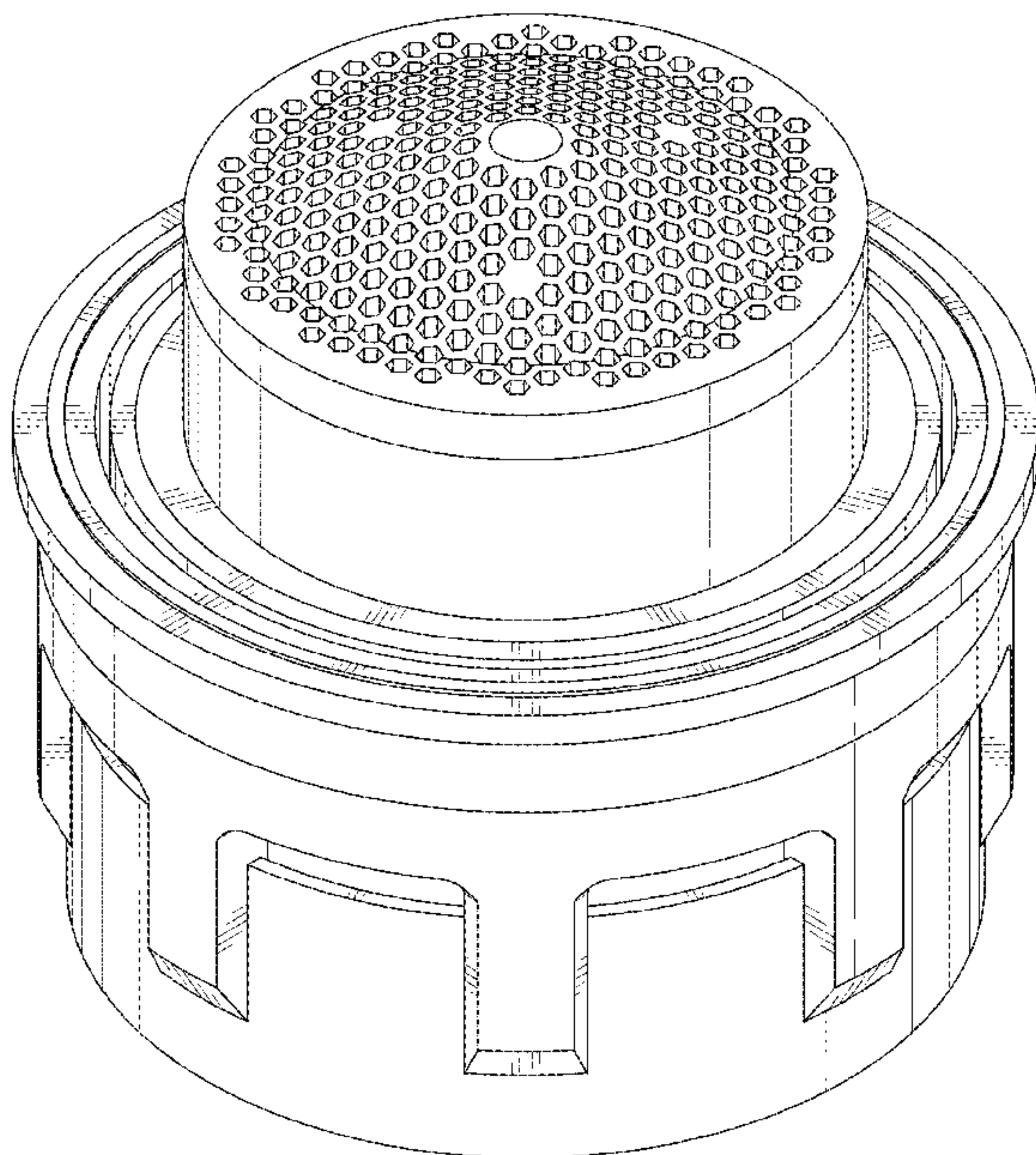
(57) **CLAIM**

I claim the ornamental design for a faucet stream straightener, as shown and described.

DESCRIPTION

FIG. 1 is a top plan view of a faucet straightener in accordance with my design;
 FIG. 2 is a top, front, left, perspective view thereof;
 FIG. 3 is a bottom plan view thereof;
 FIG. 4 is a bottom, right, rear perspective view thereof;
 FIG. 5 is a front elevational view thereof;
 FIG. 6 is a right side elevational view thereof;
 FIG. 7 is a left side elevational view thereof; and,
 FIG. 8 is a rear elevational view thereof.

1 Claim, 8 Drawing Sheets



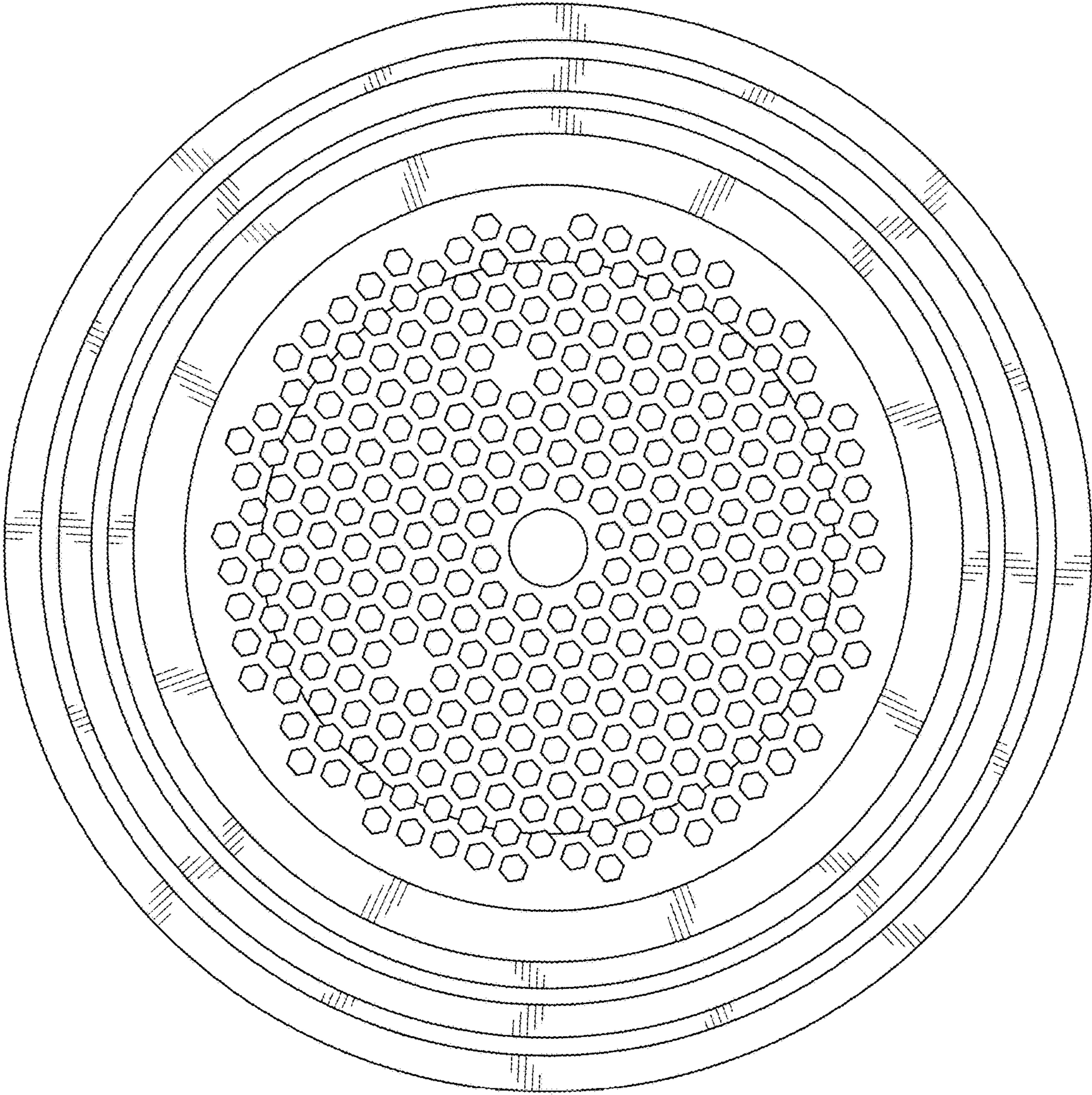


Fig. 1

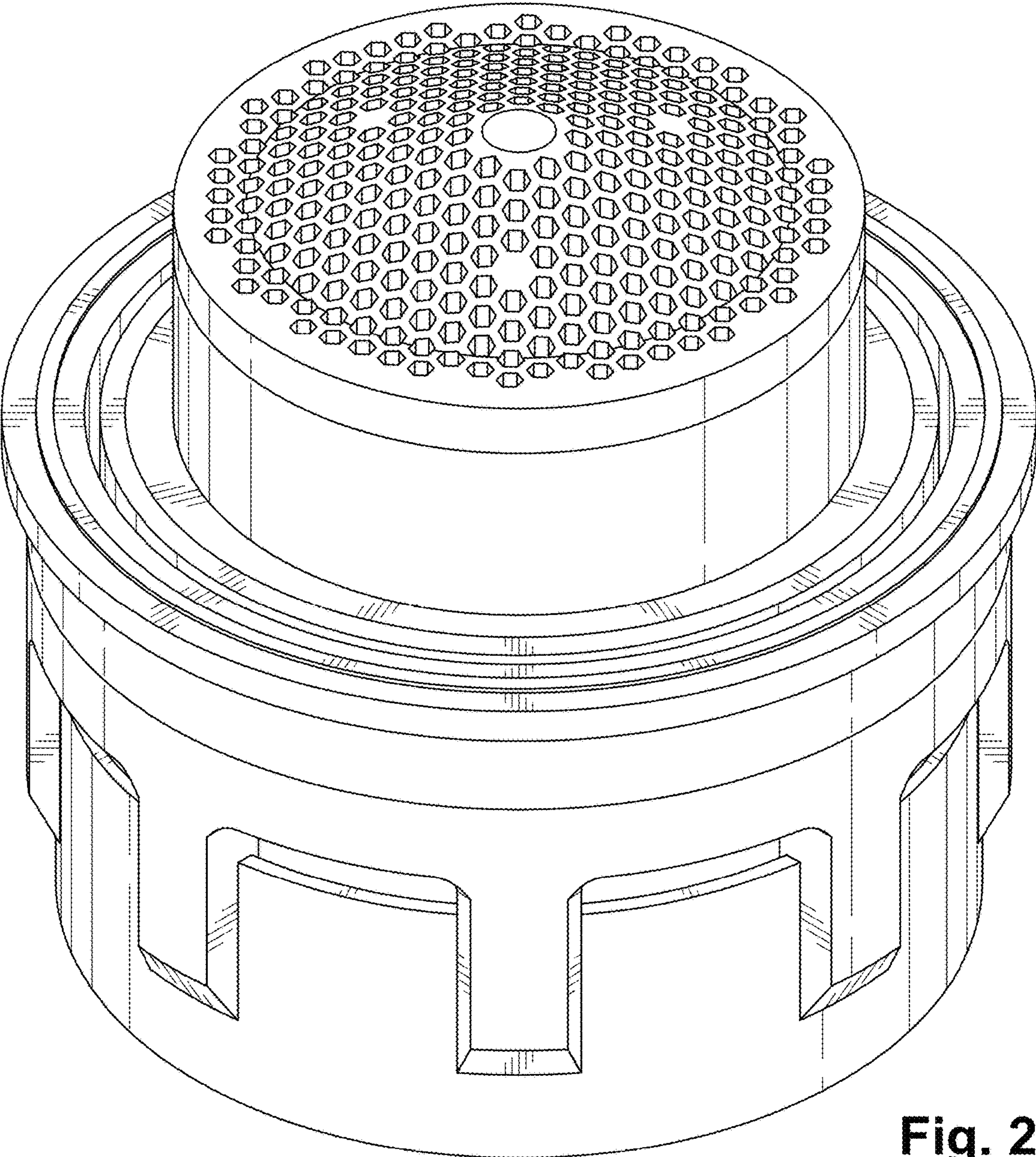


Fig. 2

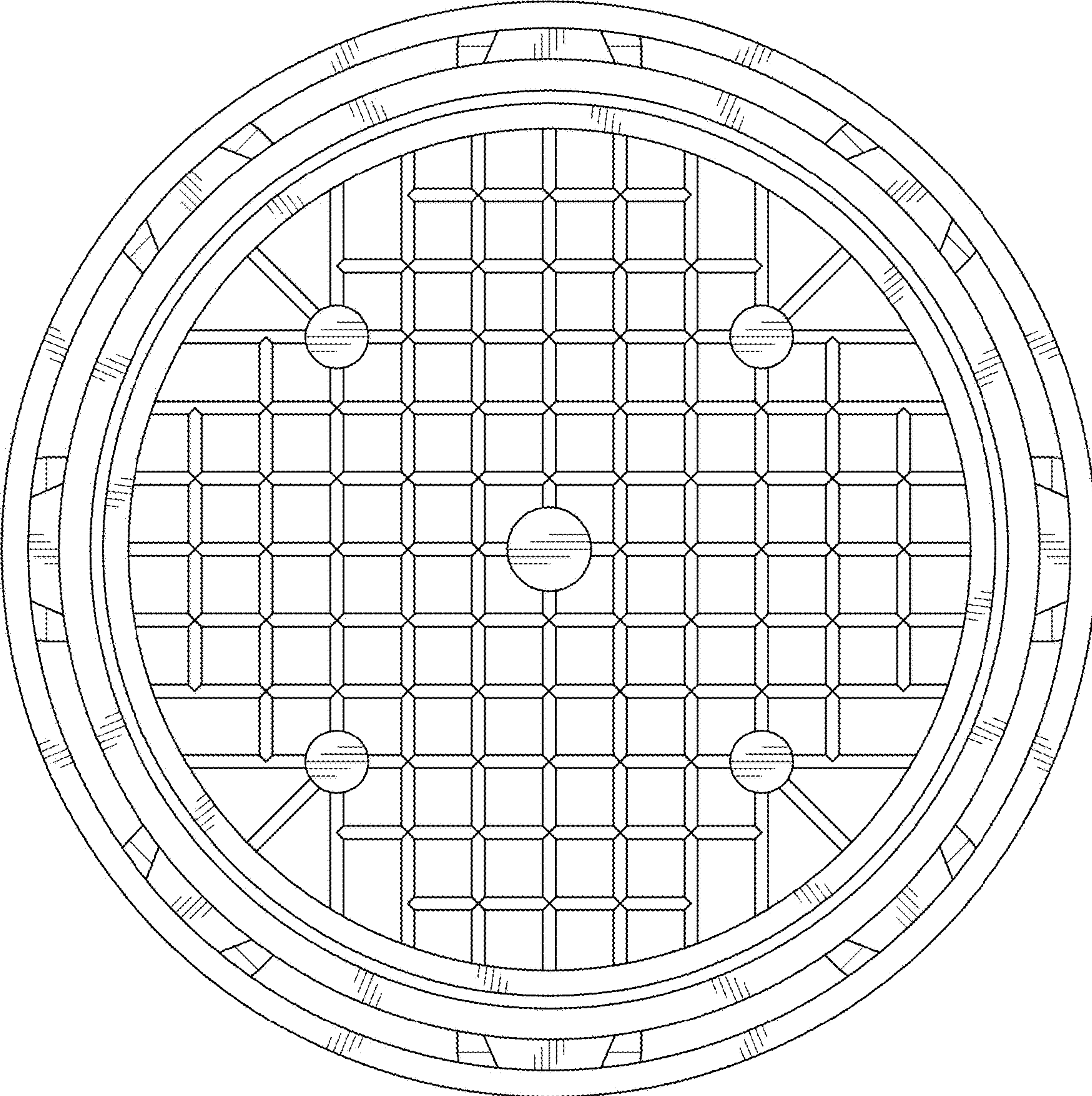


Fig. 3

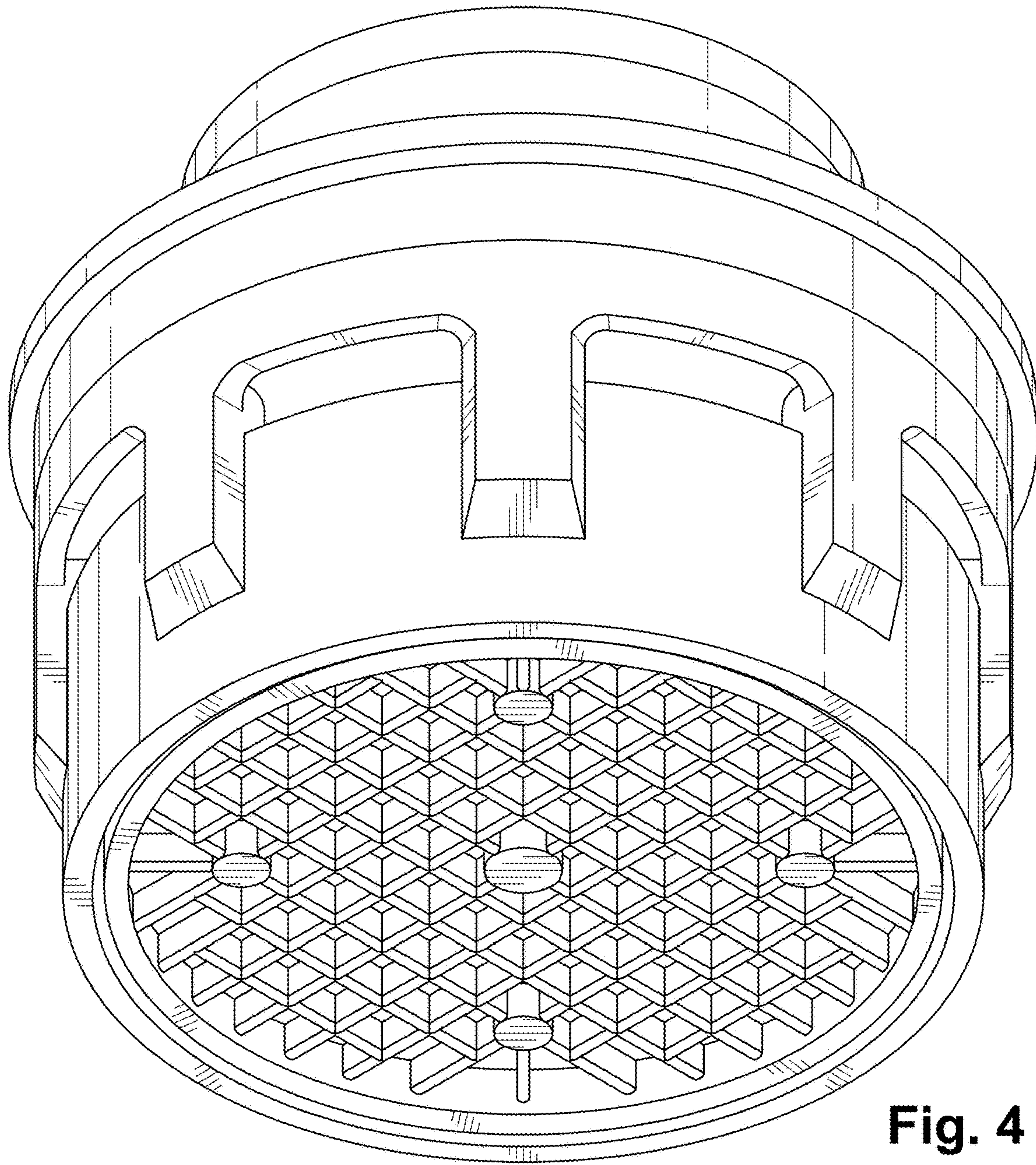


Fig. 4

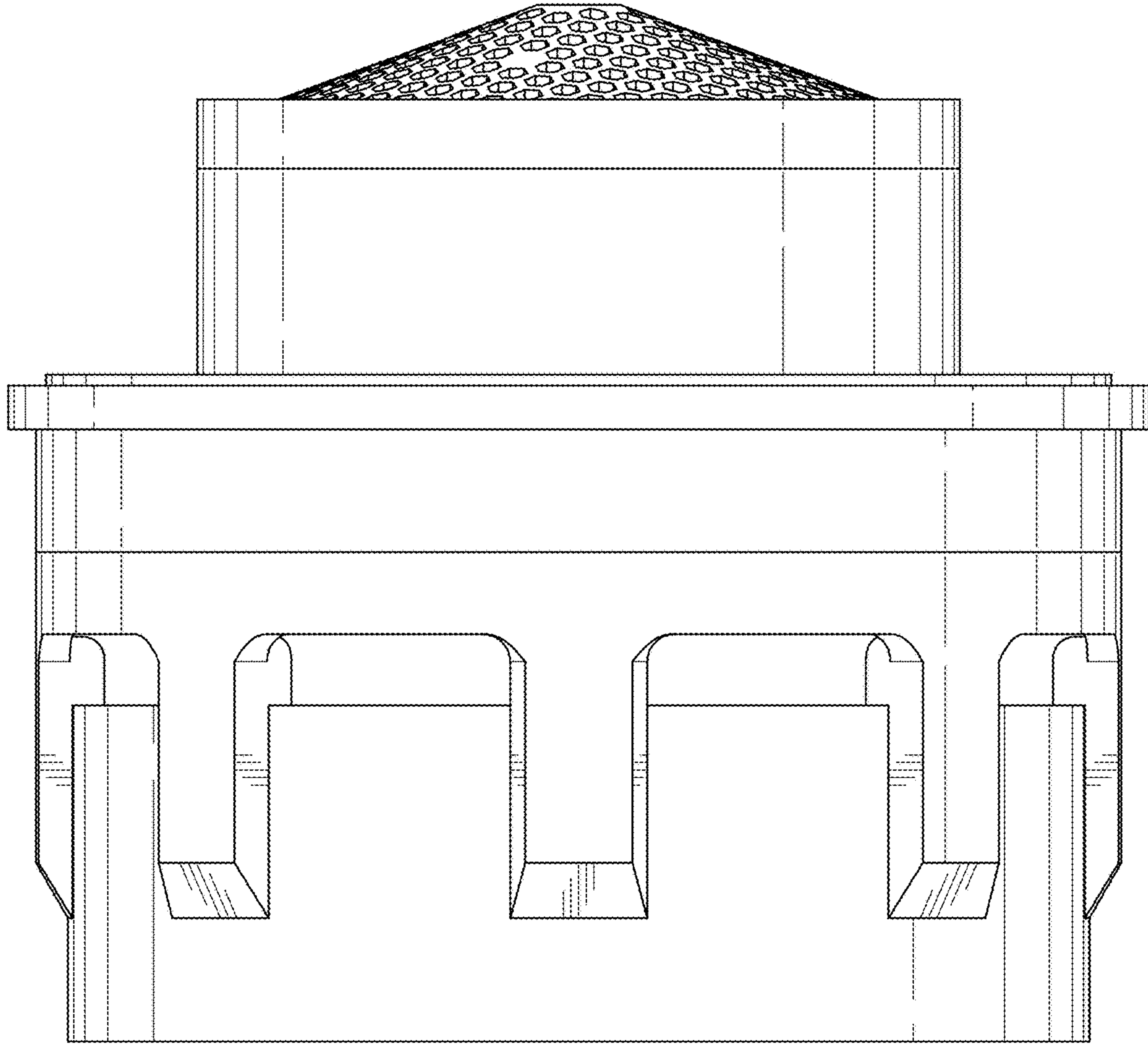


Fig. 5

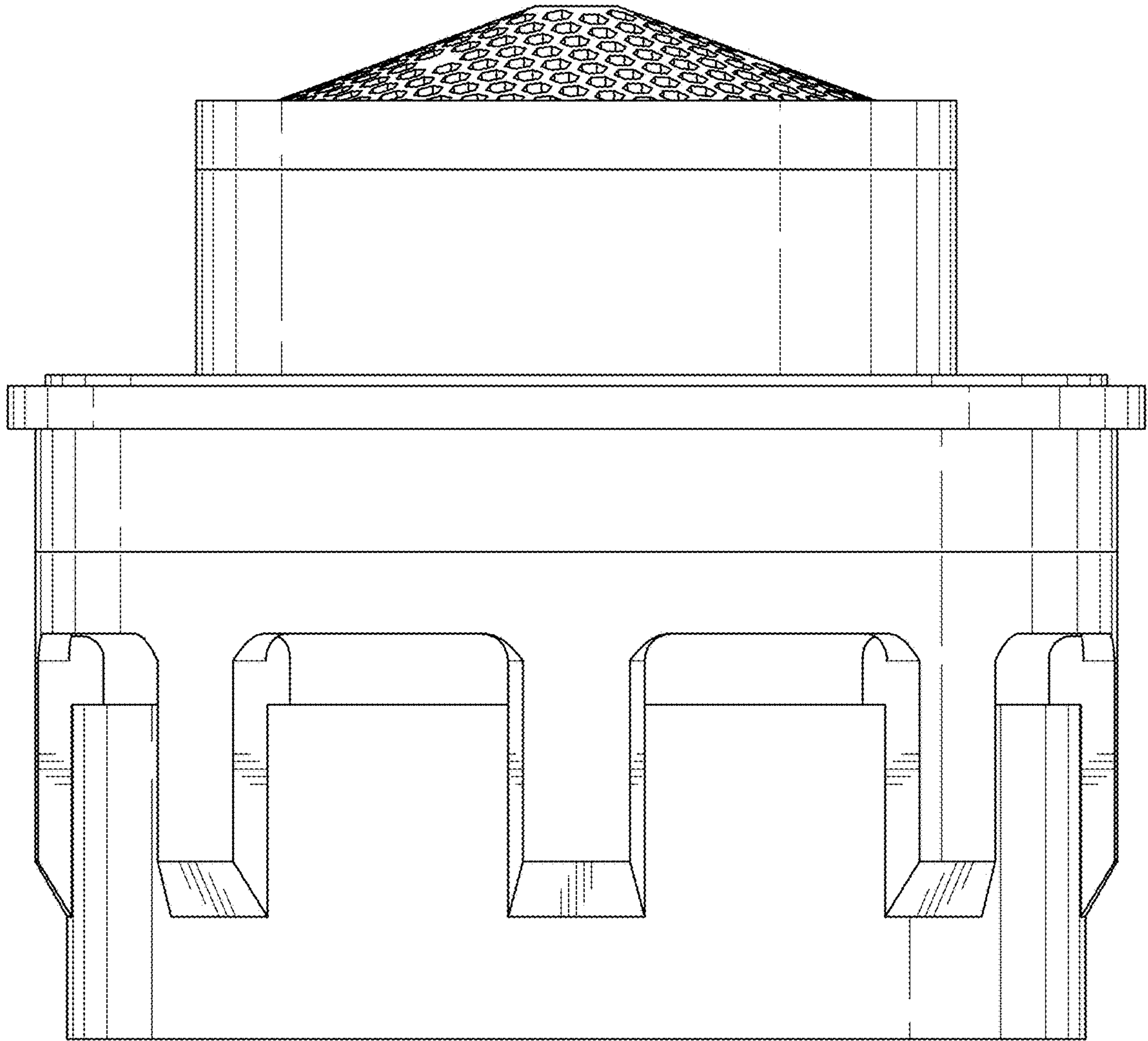


Fig. 6

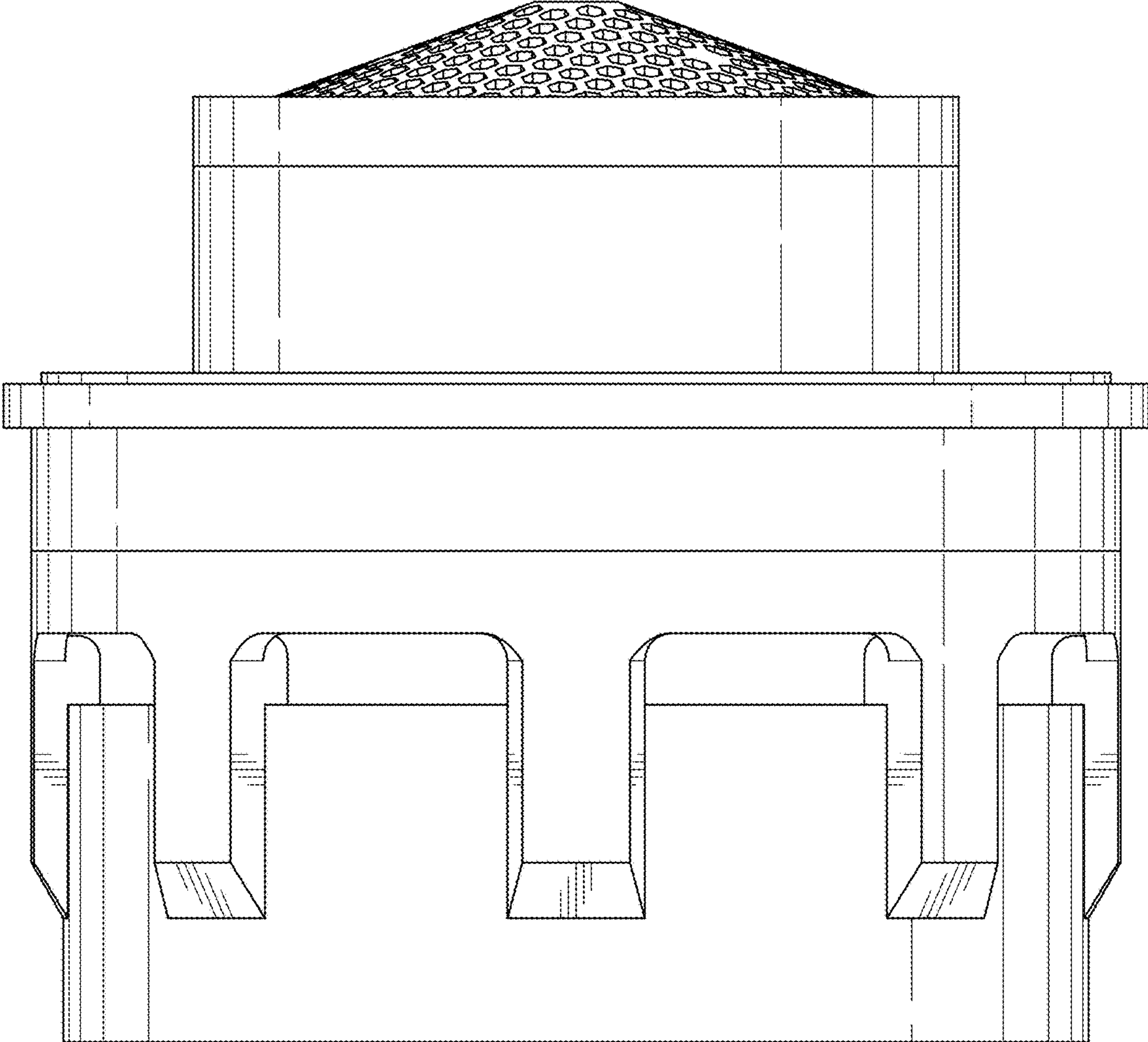


Fig. 7

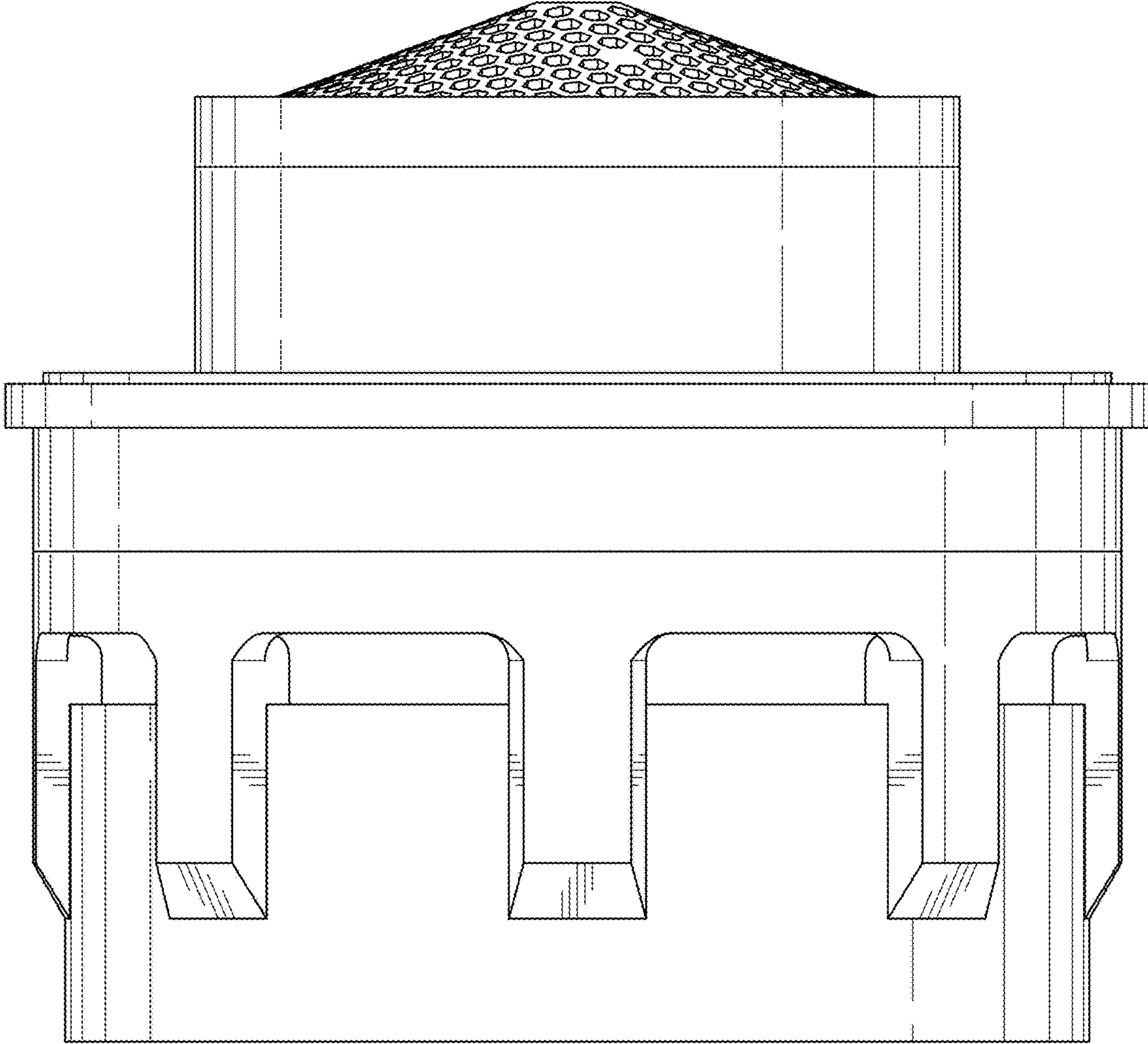


Fig. 8