



US00D840502S

(12) **United States Design Patent**  
**MacDonald**

(10) **Patent No.: US D840,502 S**

(45) **Date of Patent: \*\* Feb. 12, 2019**

(54) **FILTER HOUSING**

(71) Applicant: **FILTER GROUP INC.**, Toronto (CA)

(72) Inventor: **Daniel MacDonald**, Toronto (CA)

(\*\*) Term: **15 Years**

(21) Appl. No.: **29/605,658**

(22) Filed: **May 29, 2017**

(30) **Foreign Application Priority Data**

May 2, 2017 (CA) ..... 174477

(51) **LOC (11) Cl.** ..... **23-01**

(52) **U.S. Cl.**  
USPC ..... **D23/209**

(58) **Field of Classification Search**  
USPC ..... D23/207, 209, 365  
CPC . C02F 1/003; C02F 1/42; B01D 35/30; B01D  
35/153; B01D 29/111; B01D 39/12;  
B29C 47/682

See application file for complete search history.

(56) **References Cited**

**U.S. PATENT DOCUMENTS**

4,915,831 A \* 4/1990 Taylor ..... B01D 35/30  
206/1.5  
5,925,245 A \* 7/1999 Bradford ..... B01D 35/30  
210/232

D610,649 S \* 2/2010 Kulikov ..... B01D 35/30  
D23/209

D641,066 S \* 7/2011 Choi ..... D23/209

D668,741 S \* 10/2012 Choi ..... D23/209

D783,774 S \* 4/2017 Costantini ..... D23/209

9,688,546 B2 \* 6/2017 Froelicher ..... C02F 1/003

\* cited by examiner

*Primary Examiner* — Robin V Webster

(74) *Attorney, Agent, or Firm* — Bennett Jones LLP

(57) **CLAIM**

The ornamental design for a filter housing, as shown and described.

**DESCRIPTION**

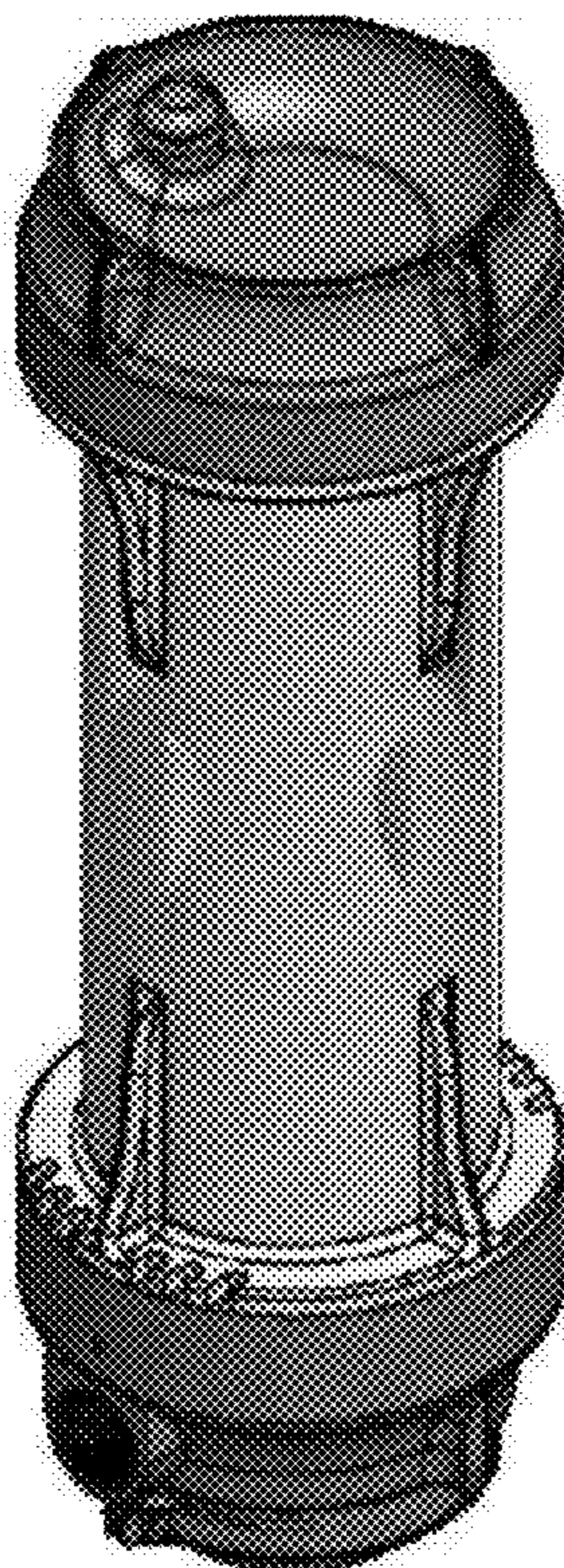
FIG. 1 is a perspective view of the filter housing

FIG. 2 is a front view of the filter housing

FIG. 3 is a side view of the filter housing; and,

FIG. 4 is a top plan view of a filter housing.

**1 Claim, 2 Drawing Sheets**



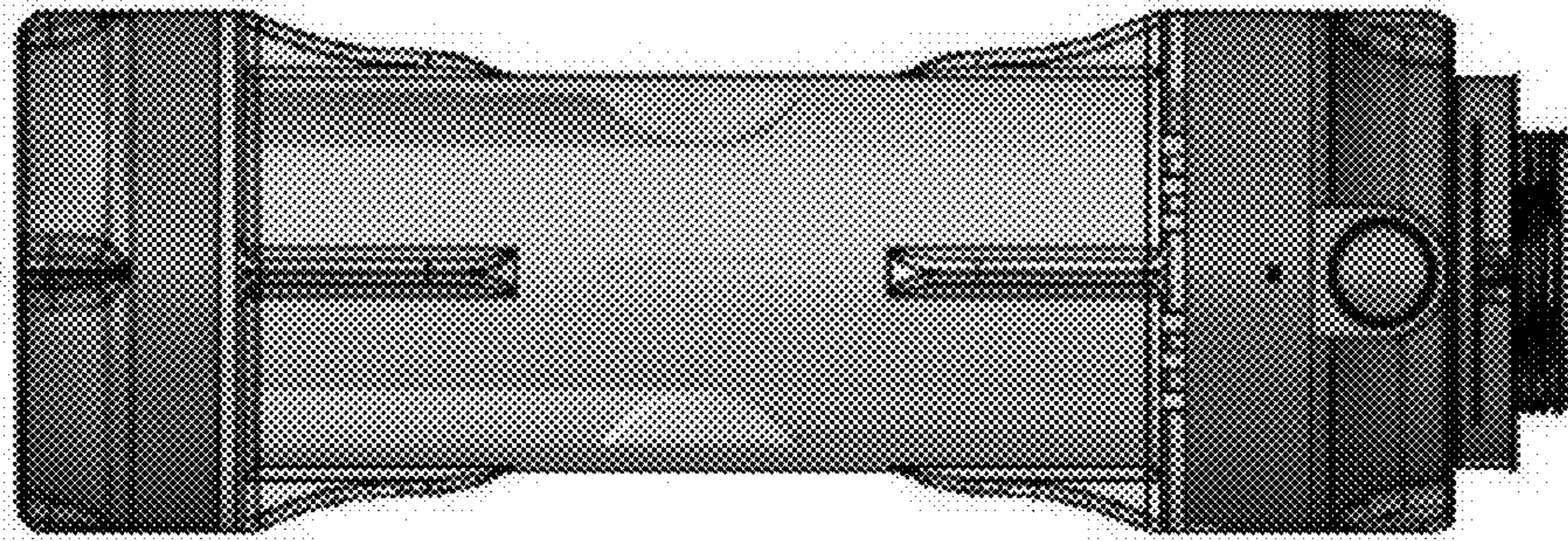


FIG. 2

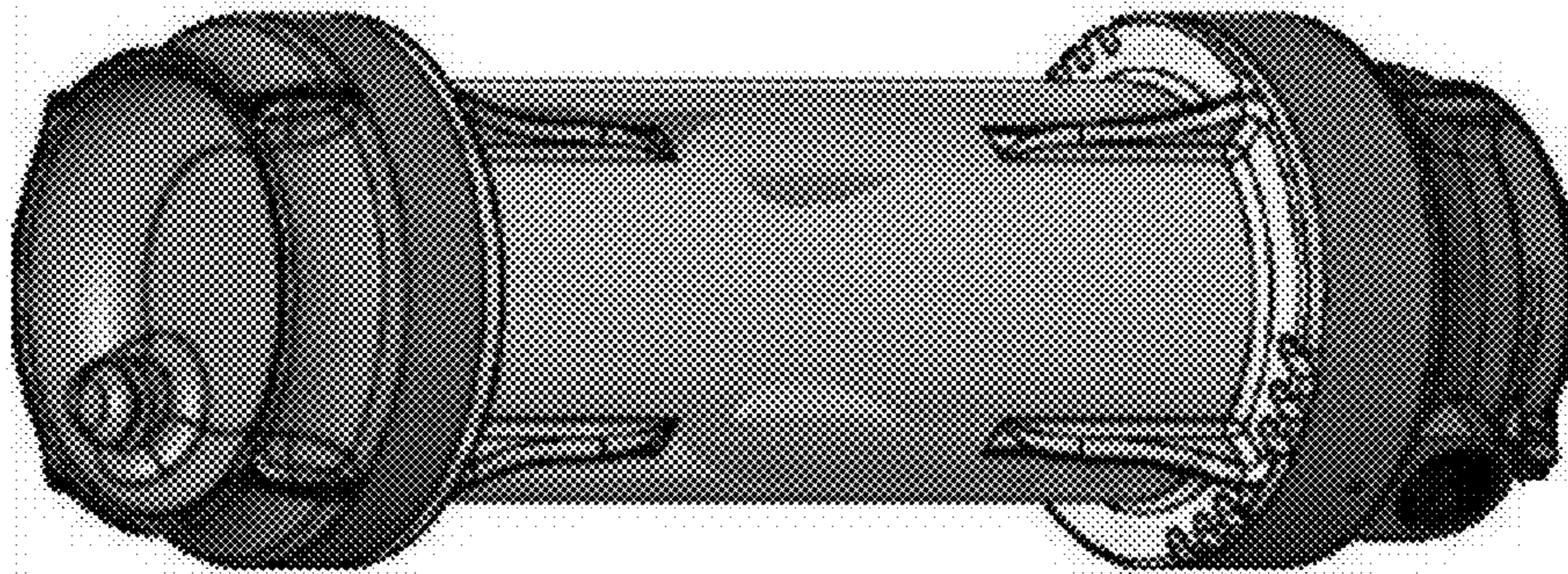


FIG. 1

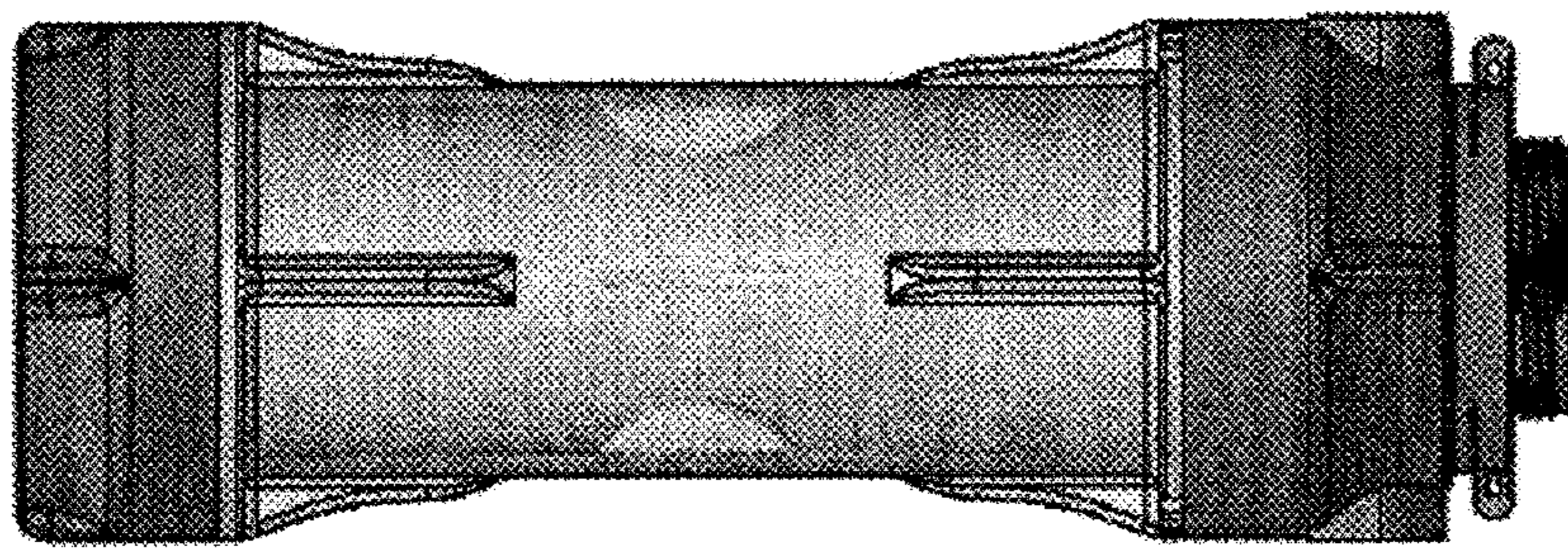


FIG. 3

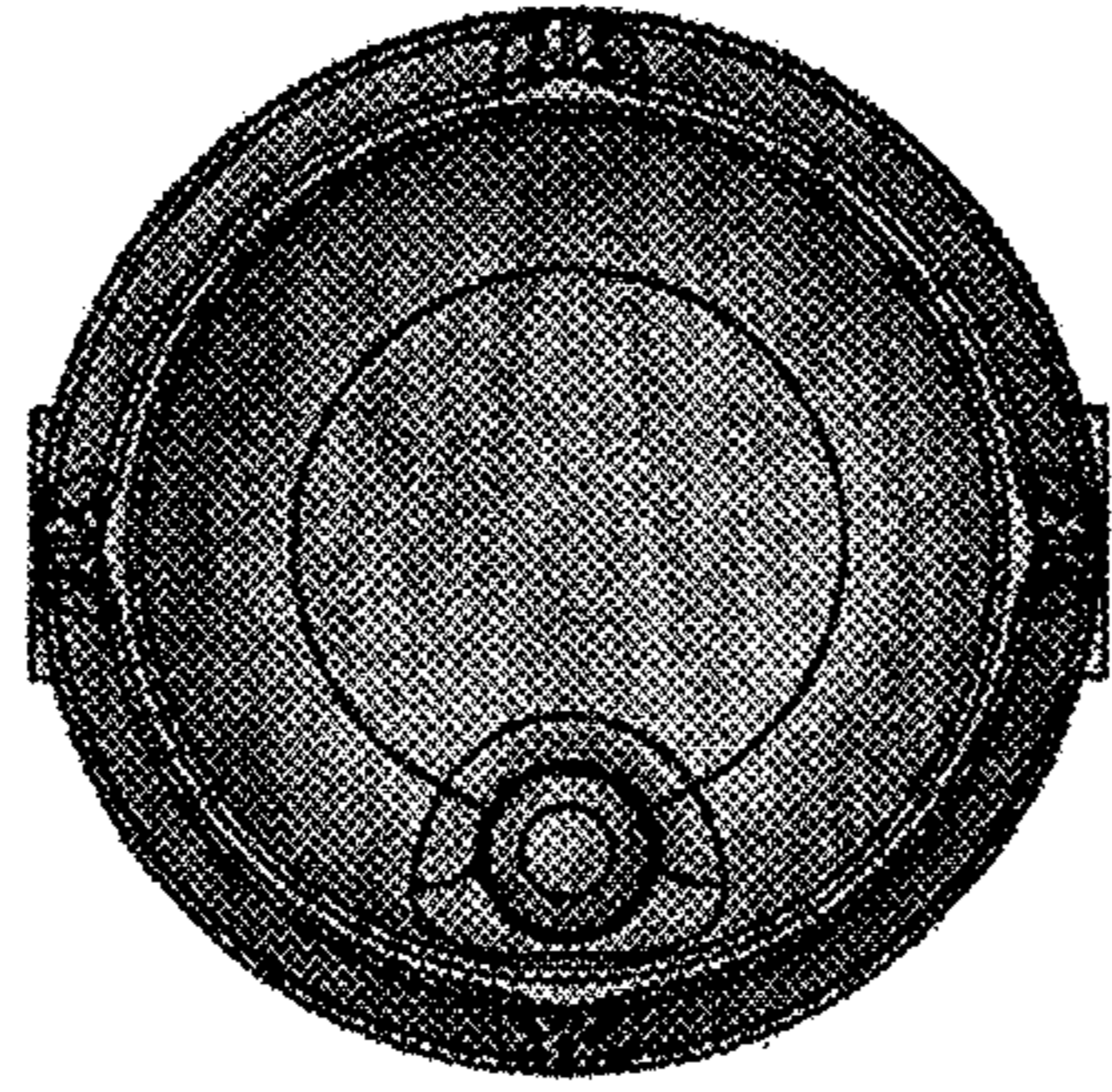


FIG. 4