



US00D840501S

(12) **United States Design Patent** (10) **Patent No.:** **US D840,501 S**  
**König et al.** (45) **Date of Patent:** **\*\* Feb. 12, 2019**

(54) **WATER PURIFIER**

D565,692 S \* 4/2008 Berducat ..... D23/207  
D647,171 S \* 10/2011 Underwood ..... B01D 3/4205  
D23/207  
D647,172 S \* 10/2011 Underwood ..... B01D 3/04  
D23/207

(71) Applicant: **Merck Patent GmbH**, Darmstadt (DE)

(72) Inventors: **Camillo König**, Darmstadt (DE);  
**Laurent Moreau**, Darmstadt (DE);  
**Thierry Cassou**, Darmstadt (DE)

\* cited by examiner

(73) Assignee: **Merck Patent GmbH**, Darmstadt (DE)

*Primary Examiner* — Robin V Webster

(\*\*) Term: **15 Years**

(74) *Attorney, Agent, or Firm* — Edell, Shapiro & Finnan, LLC

(21) Appl. No.: **29/614,837**

(57) **CLAIM**

(22) Filed: **Aug. 23, 2017**

The ornamental design for a water purifier, as shown and described.

(30) **Foreign Application Priority Data**

Feb. 24, 2017 (EM) ..... 003765809-0002

**DESCRIPTION**

(51) **LOC (11) Cl.** ..... **23-01**

(52) **U.S. Cl.**  
USPC ..... **D23/207**

(58) **Field of Classification Search**  
USPC ..... D23/207, 209; D7/306, 309; 210/241,  
210/435, 249, 250  
CPC .... B01D 35/30; B01D 35/14; B01D 35/0276;  
B01D 35/027; B01D 2201/30  
See application file for complete search history.

FIG. 1 is a front, left perspective view from above of a water purifier.

FIG. 2 is a rear, right perspective view from above of the water purifier of FIG. 1.

FIG. 3 is a front, right perspective view from below of the water purifier of FIG. 1.

FIG. 4 is a front elevation view the water purifier of FIG. 1.

FIG. 5 is a rear elevation view the water purifier of FIG. 1.

FIG. 6 is a left side elevation view of the water purifier of FIG. 1.

FIG. 7 is a right side elevation view of the water purifier of FIG. 1.

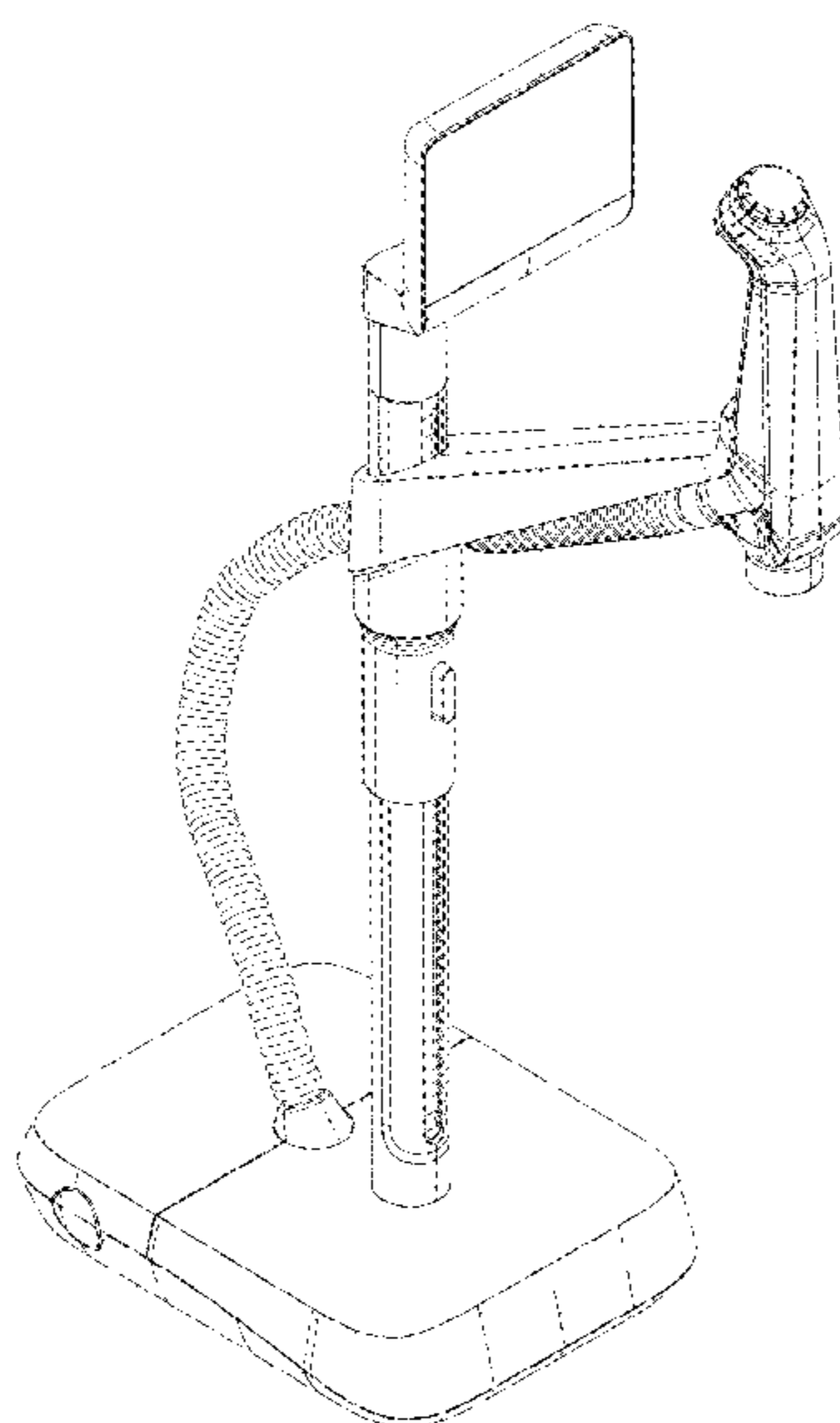
FIG. 8 is a top plan view of the water purifier of FIG. 1; and, FIG. 9 is a bottom plan view of the water purifier of FIG. 1.

(56) **References Cited**

**U.S. PATENT DOCUMENTS**

2,701,789 A \* 2/1955 White ..... B01D 3/4205  
202/161  
6,551,464 B1 \* 4/2003 Kimel ..... B01D 3/04  
202/153

**1 Claim, 8 Drawing Sheets**



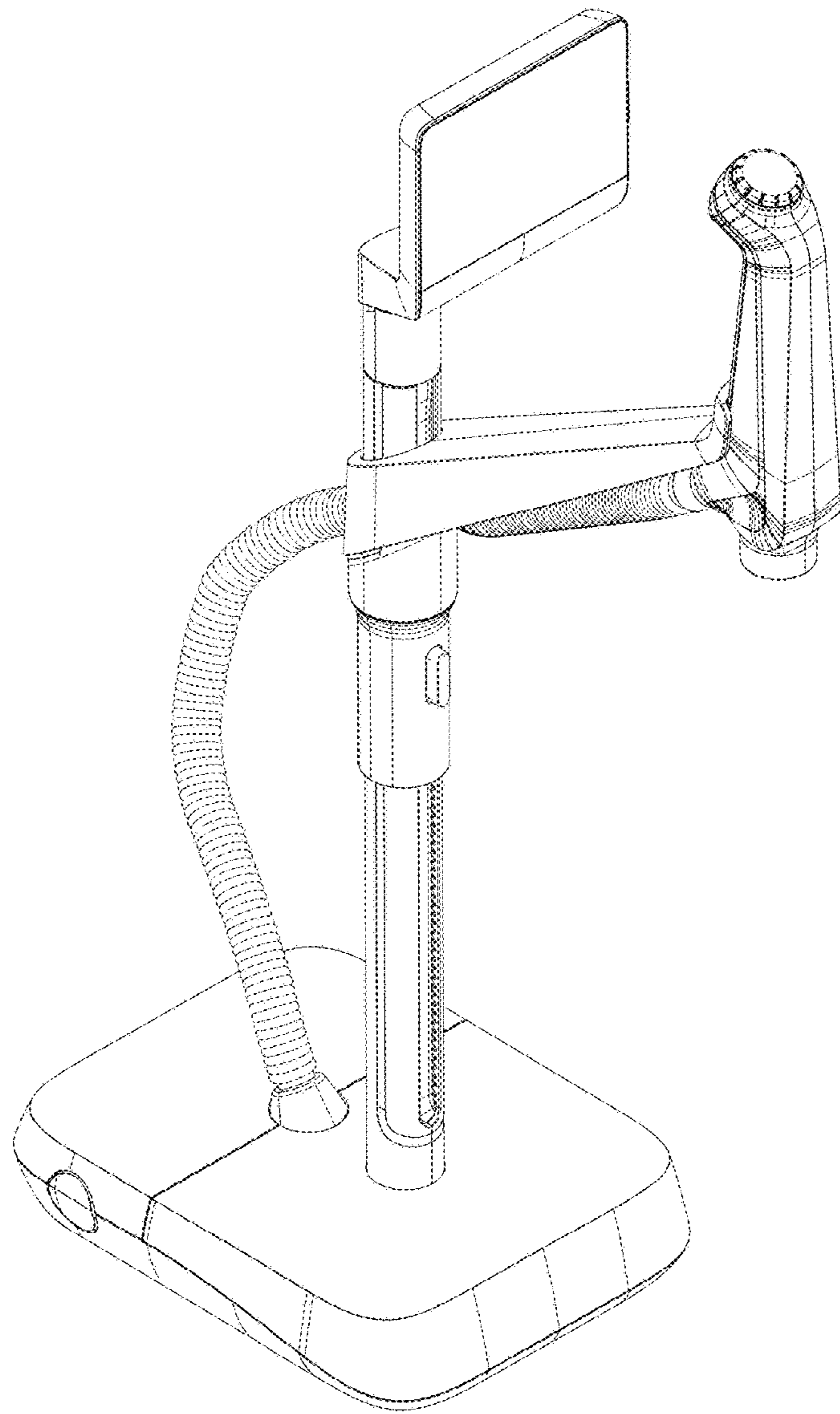


FIG.1

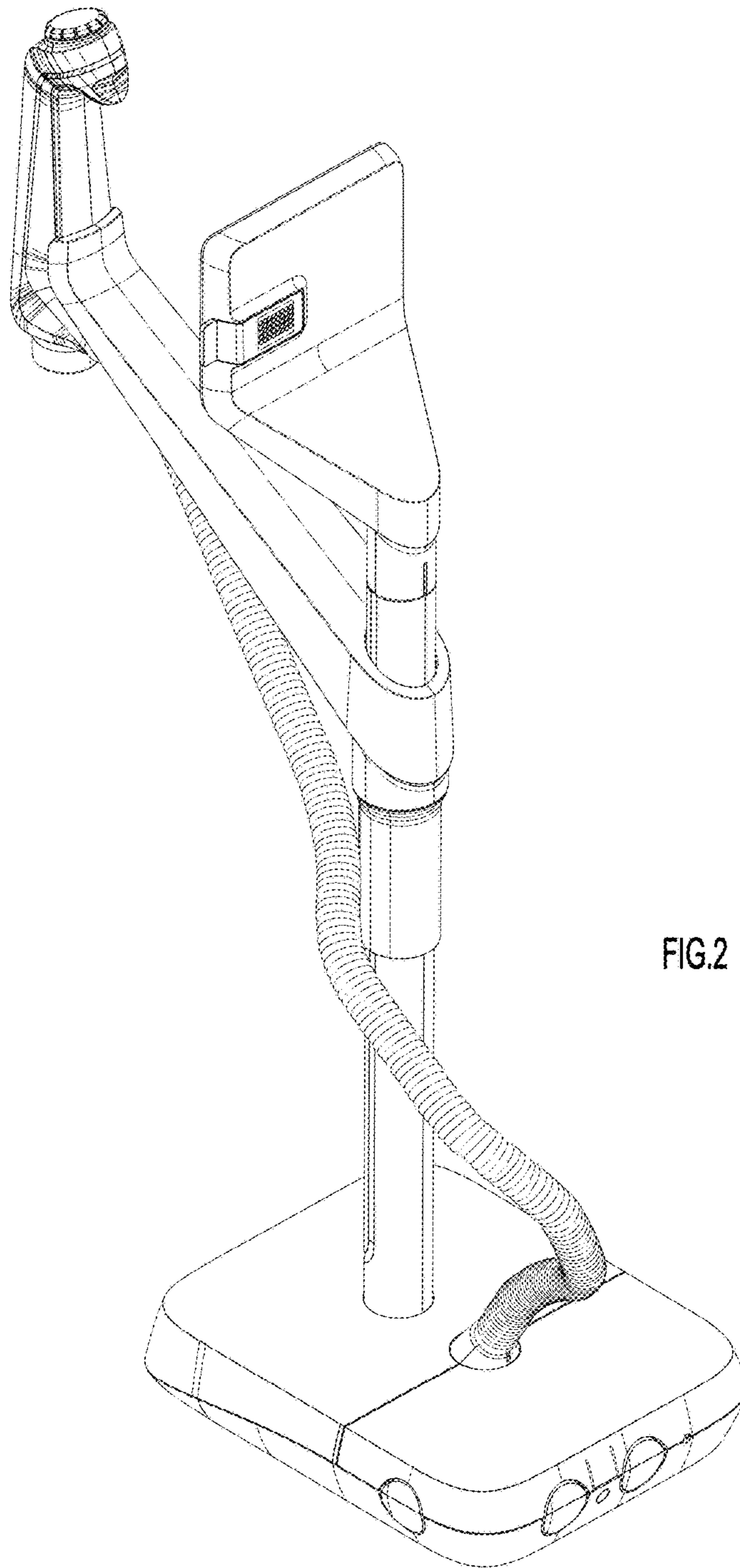
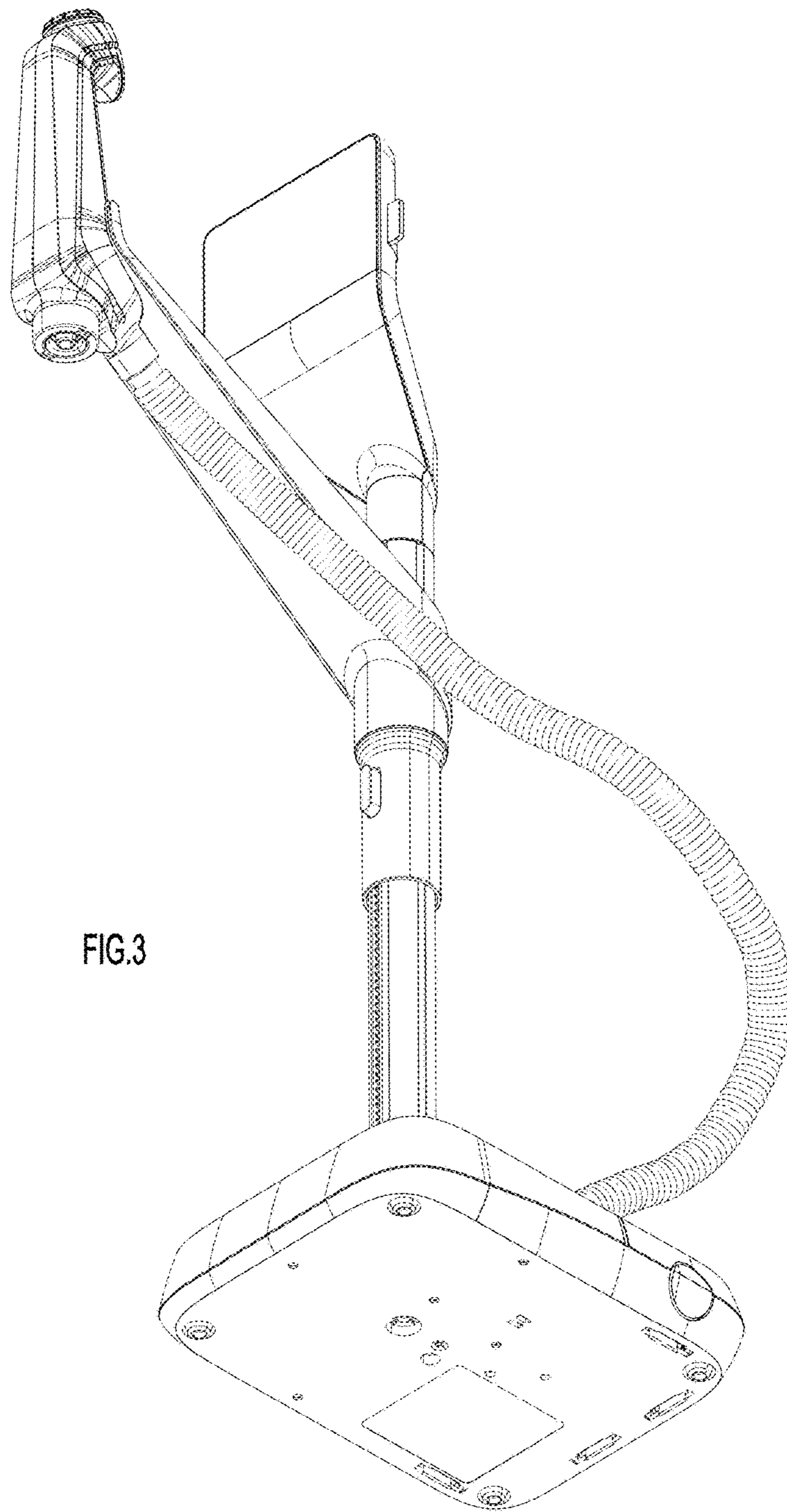


FIG. 2



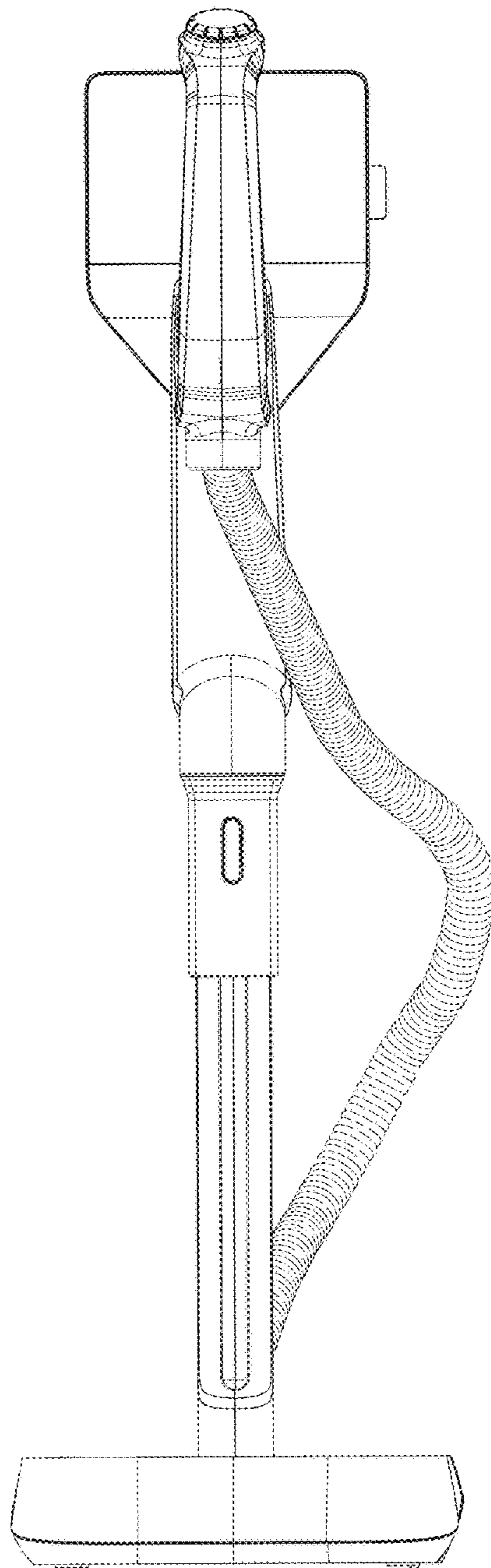


FIG.4

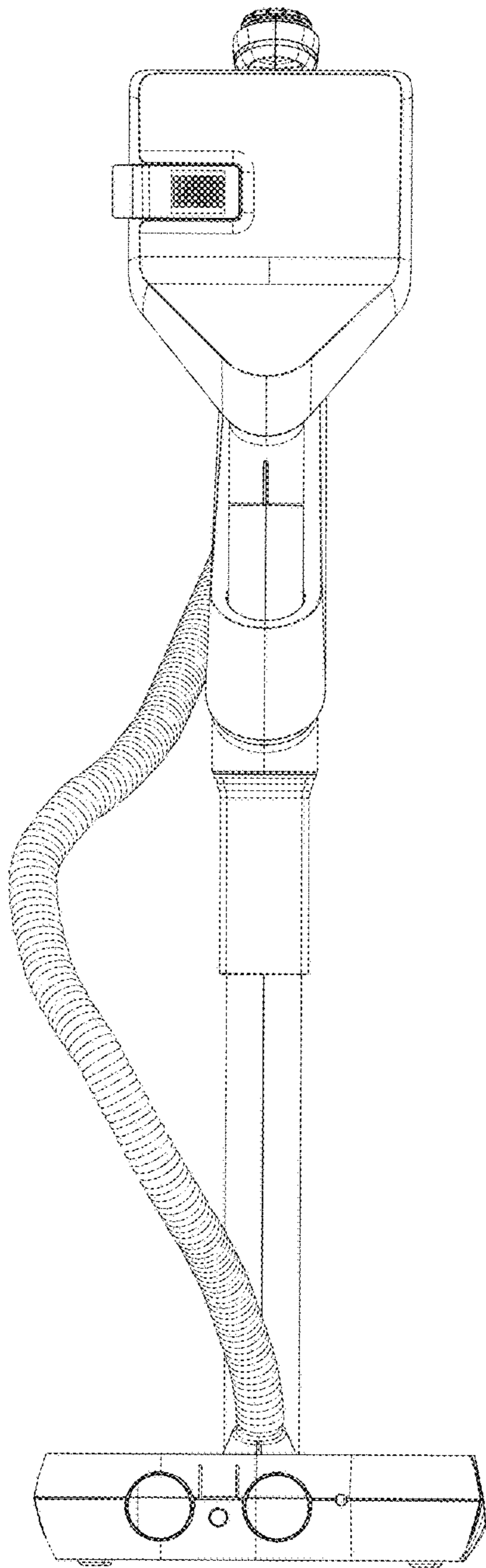


FIG.5

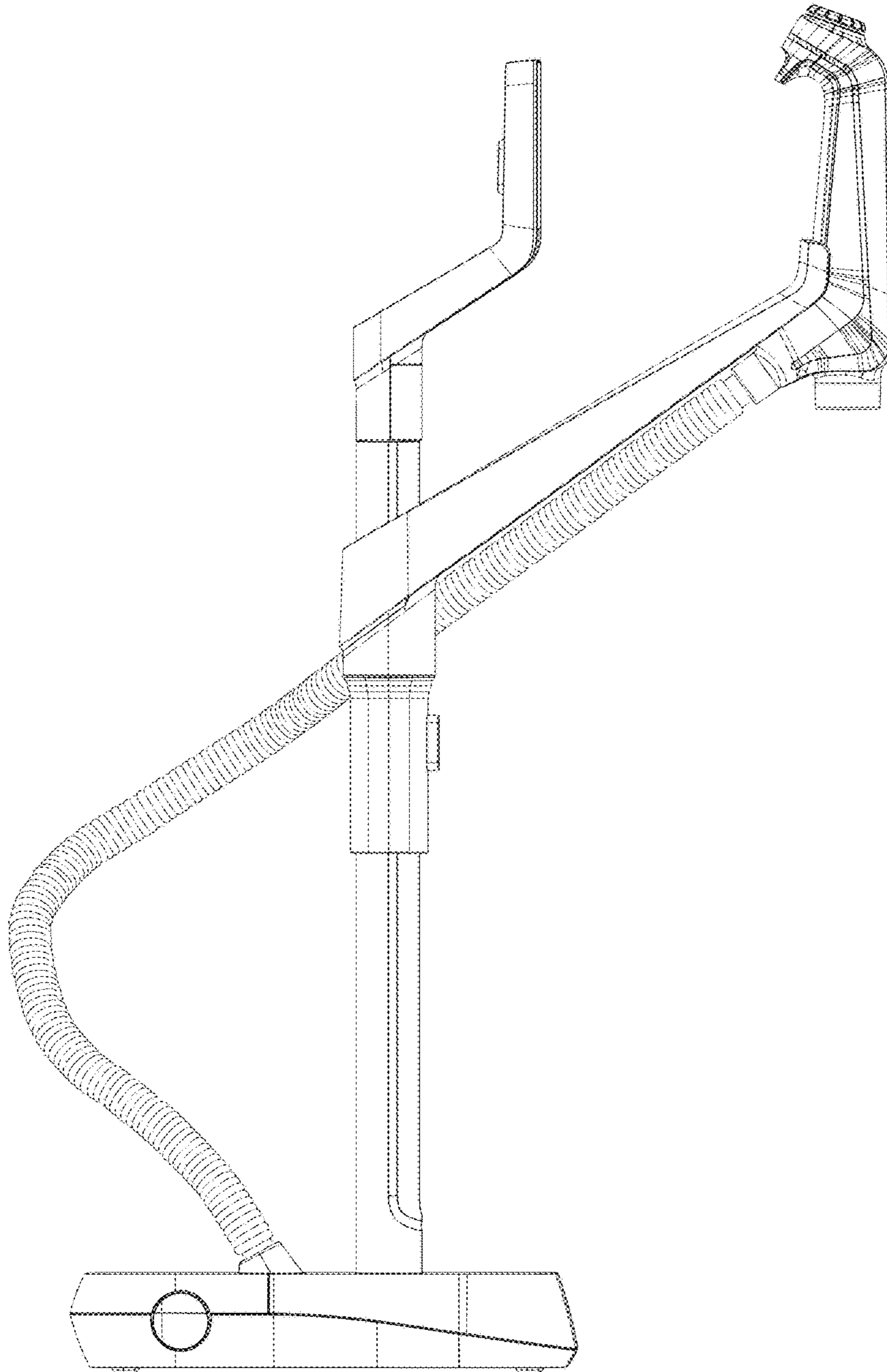


FIG.6

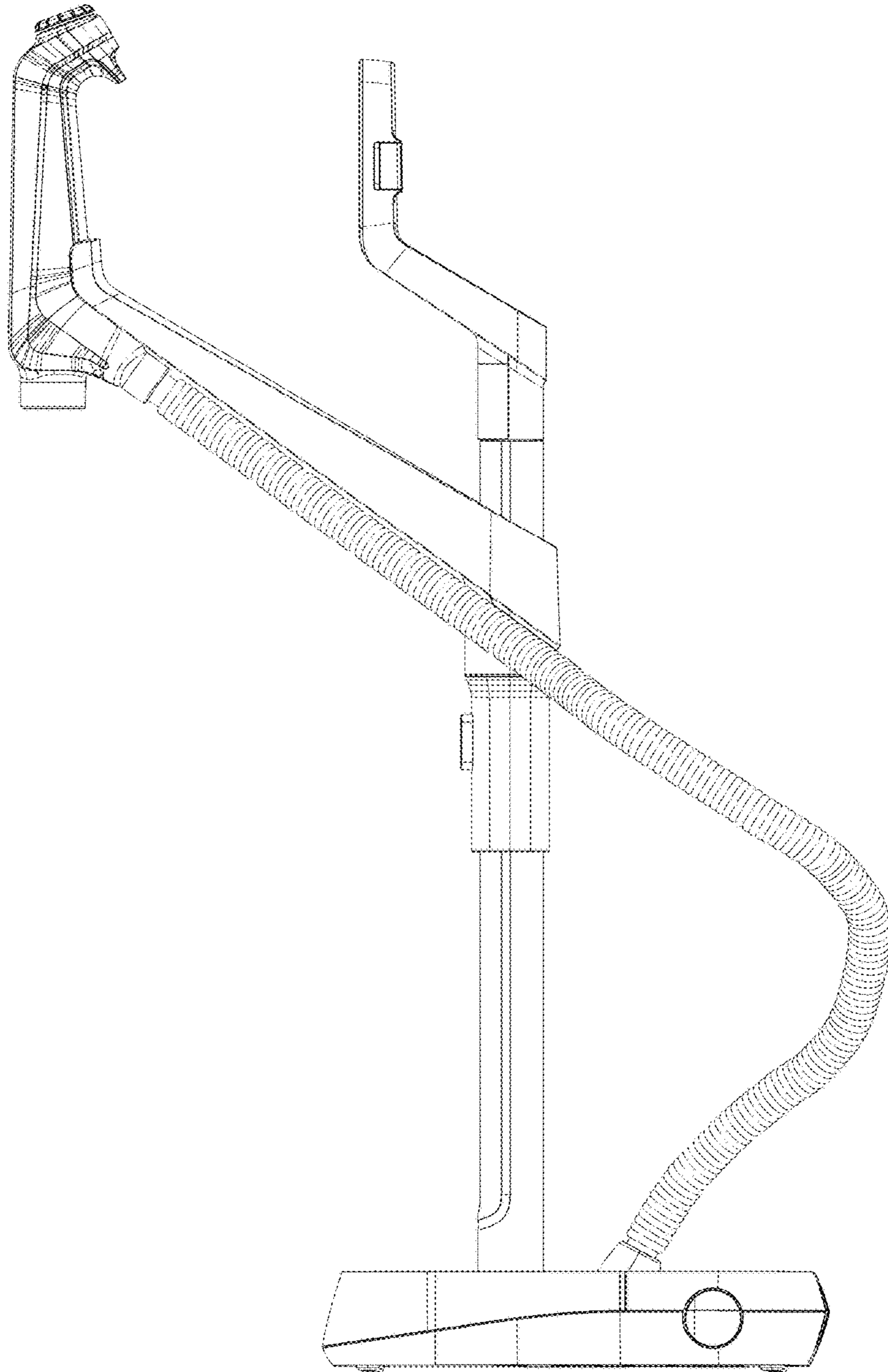


FIG.7



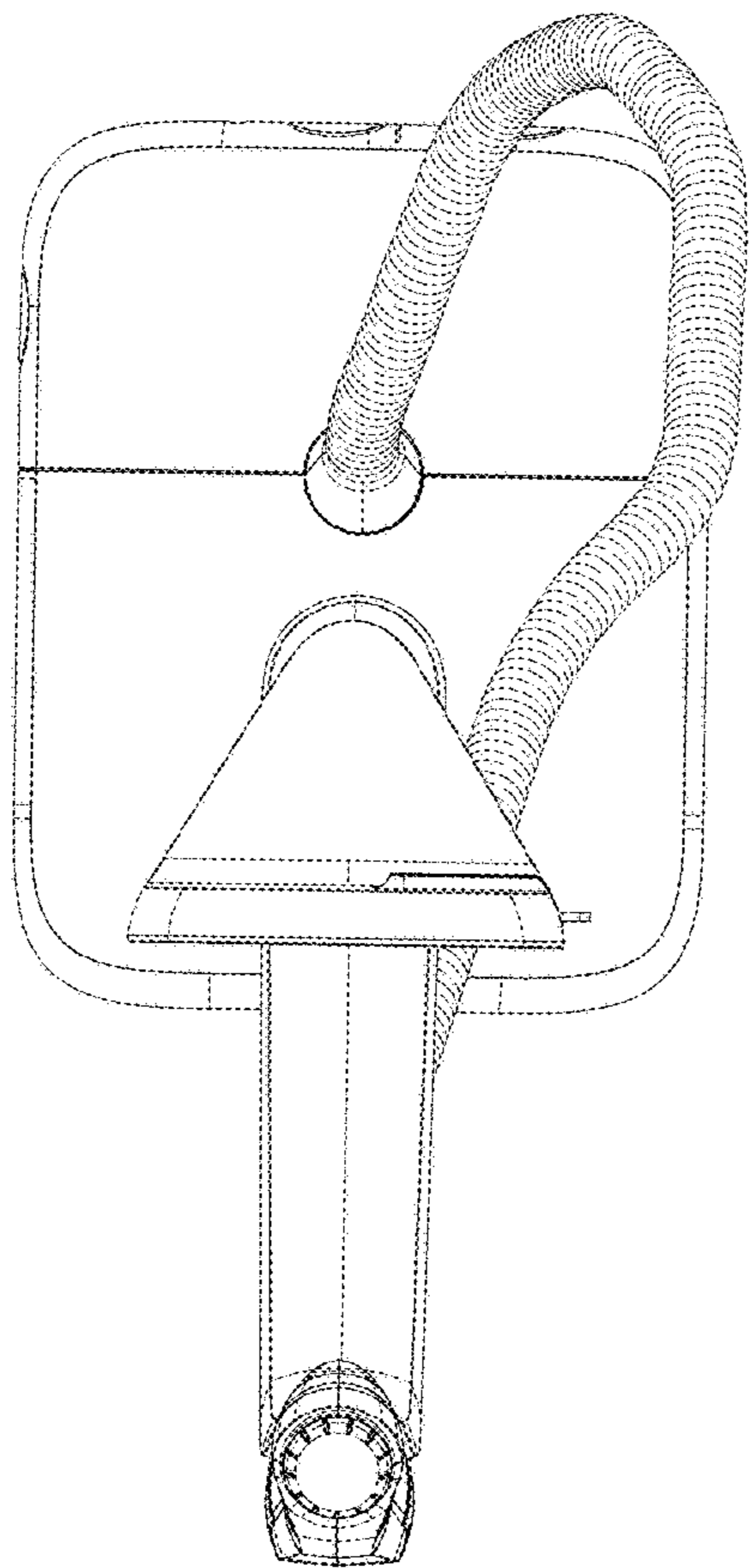


FIG.8

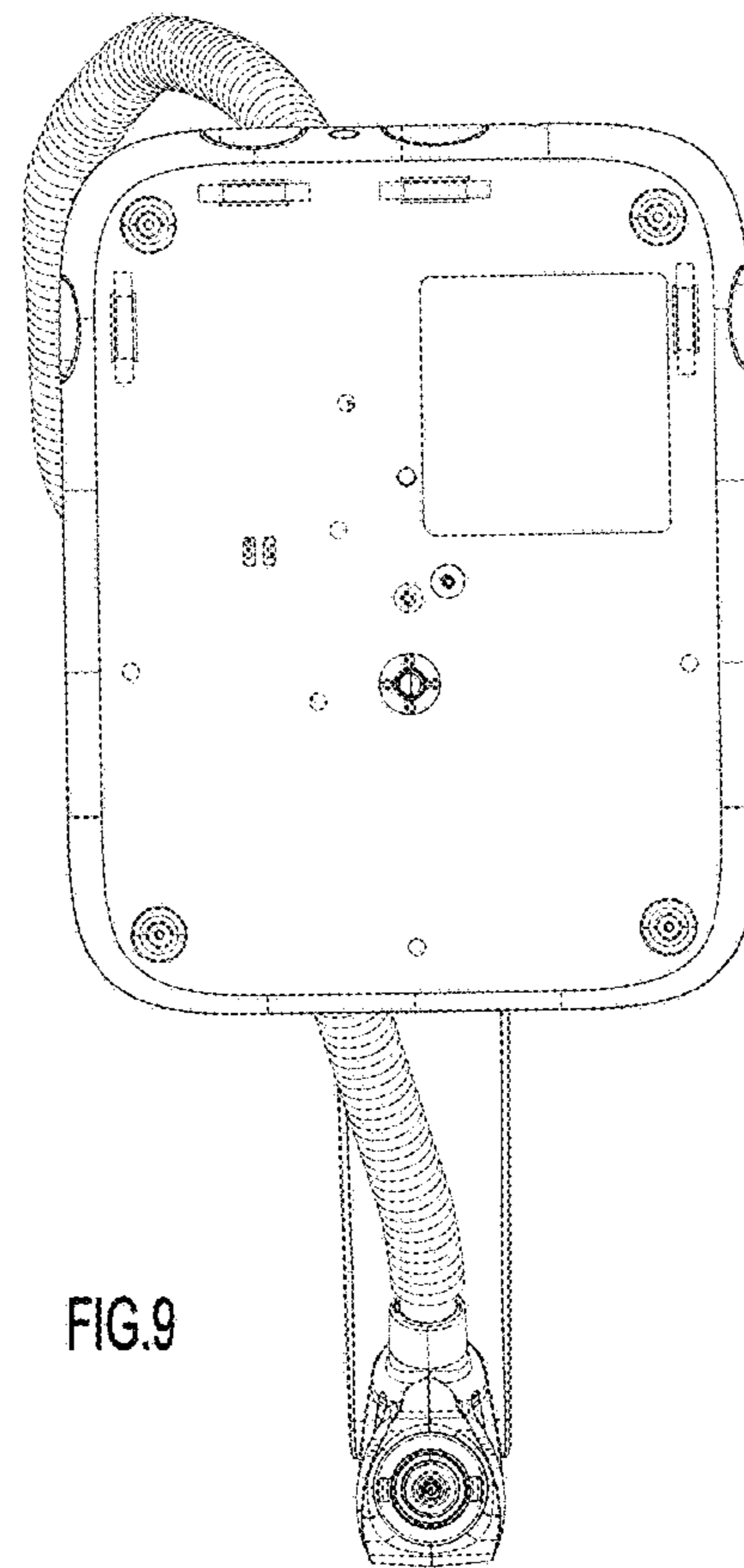


FIG.9