

US00D840500S

(12) **United States Design Patent**
Moreau et al.

(10) **Patent No.:** **US D840,500 S**

(45) **Date of Patent:** **** Feb. 12, 2019**

(54) **WATER PURIFIER**

(71) Applicant: **Merck Patent GmbH**, Darmstadt (DE)

(72) Inventors: **Laurent Moreau**, Darmstadt (DE);
Stephanie Bourin, Darmstadt (DE);
Thierry Cassou, Darmstadt (DE);
Thomas Buhl, Darmstadt (DE)

(73) Assignee: **Merck Patent GmbH**, Darmstadt (DE)

(**) Term: **15 Years**

(21) Appl. No.: **29/614,835**

(22) Filed: **Aug. 23, 2017**

(30) **Foreign Application Priority Data**

Feb. 24, 2017 (EM) 003765809-0001

(51) **LOC (11) Cl.** **23-01**

(52) **U.S. Cl.**
USPC **D23/207**

(58) **Field of Classification Search**
USPC D23/207, 209; D7/306, 309; 210/241,
210/435
CPC B01D 35/30; B01D 35/14; B01D 35/0276;
B01D 35/027
See application file for complete search history.

(56) **References Cited**

U.S. PATENT DOCUMENTS

D417,254 S * 11/1999 Daws D23/209
D514,371 S * 2/2006 Yang D7/306
D671,191 S * 11/2012 Lin D23/207
D682,387 S * 5/2013 Tseng D23/207
D697,356 S * 1/2014 Choi D23/207
D726,478 S * 4/2015 Cahen D7/306
D727,460 S * 4/2015 Collins D23/207
D737,090 S * 8/2015 Long D23/207

D738,150 S * 9/2015 Polaski D7/300
D769,407 S * 10/2016 Lee D23/207
D771,769 S * 11/2016 Pin D23/207

(Continued)

Primary Examiner — Robin V Webster

(74) *Attorney, Agent, or Firm* — Edell, Shapiro & Finnan,
LLC.

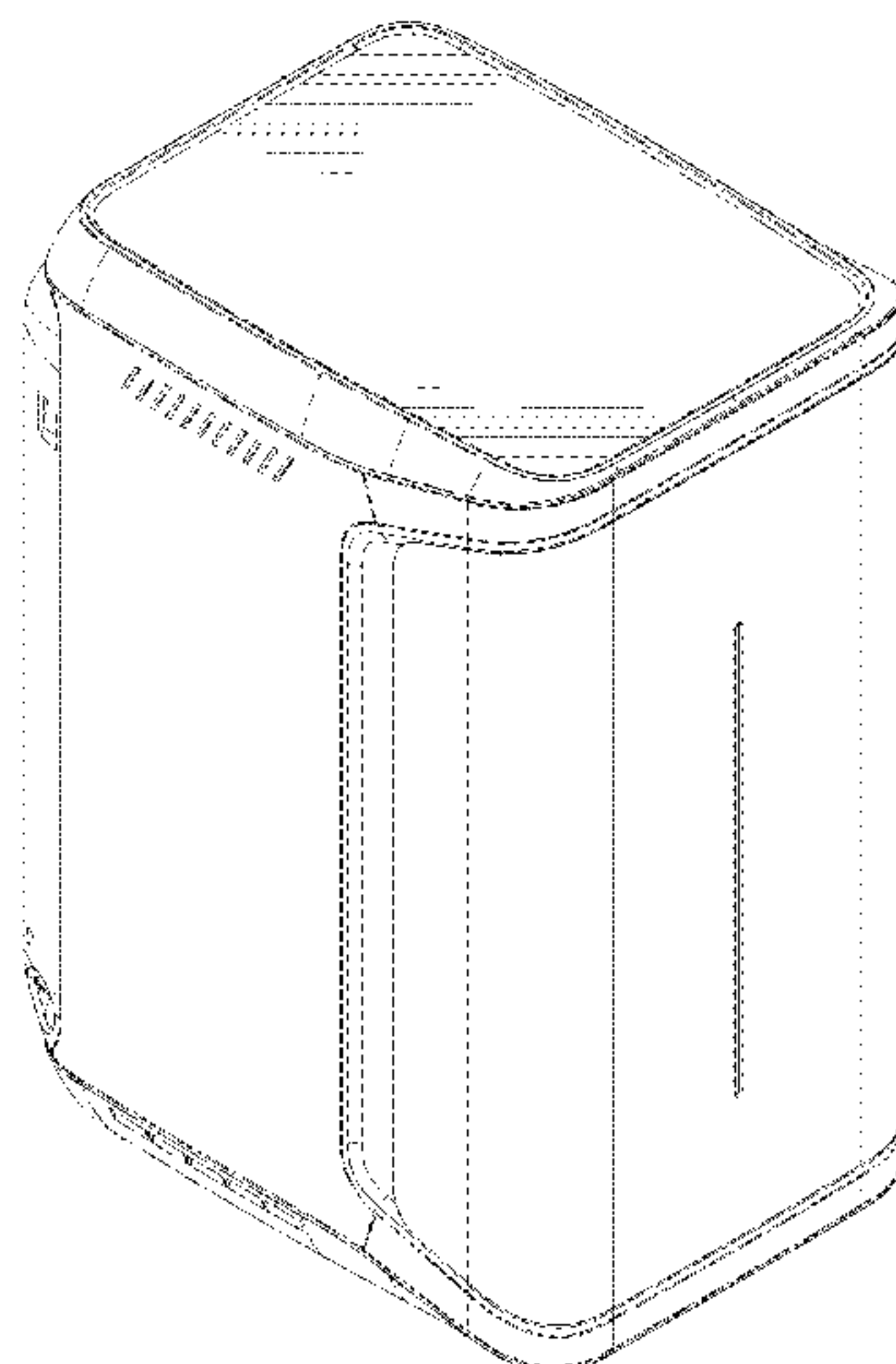
(57) **CLAIM**

The ornamental design for a water purifier, as shown and described.

DESCRIPTION

FIG. 1 is a front, left perspective view from above of a water purifier.
FIG. 2 is a front, right perspective view from above of the water purifier of FIG. 1.
FIG. 3 is a front, left perspective view from below of the water purifier of FIG. 1.
FIG. 4 is a front, right perspective view from below of the water purifier of FIG. 1.
FIG. 5 is a rear, right perspective view from above of the water purifier of FIG. 1.
FIG. 6 is a rear, left perspective view from above of the water purifier of FIG. 1.
FIG. 7 is a rear, right perspective view from below of the water purifier of FIG. 1.
FIG. 8 is a rear, left perspective view from below of the water purifier of FIG. 1.
FIG. 9 is a front elevation view the water purifier of FIG. 1.
FIG. 10 is a rear elevation view the water purifier of FIG. 1.
FIG. 11 is a left side elevation view of the water purifier of FIG. 1.
FIG. 12 is a right side elevation view of the water purifier of FIG. 1.
FIG. 13 is a top plan view of the water purifier of FIG. 1; and,
FIG. 14 is a bottom plan view of the water purifier of FIG. 1.

1 Claim, 13 Drawing Sheets



(56)

References Cited

U.S. PATENT DOCUMENTS

| | | | | |
|------------|---|---------|----------------|---------|
| D774,819 S | * | 12/2016 | Silverio | D7/306 |
| D777,498 S | * | 1/2017 | Bandixen | D7/306 |
| D779,630 S | * | 2/2017 | Wei | D23/207 |
| D782,242 S | * | 3/2017 | Lee | D7/306 |
| D803,612 S | * | 11/2017 | Byun | D7/309 |
| D807,473 S | * | 1/2018 | Wei | D23/207 |
| D822,154 S | * | 7/2018 | Lee | D23/207 |

* cited by examiner

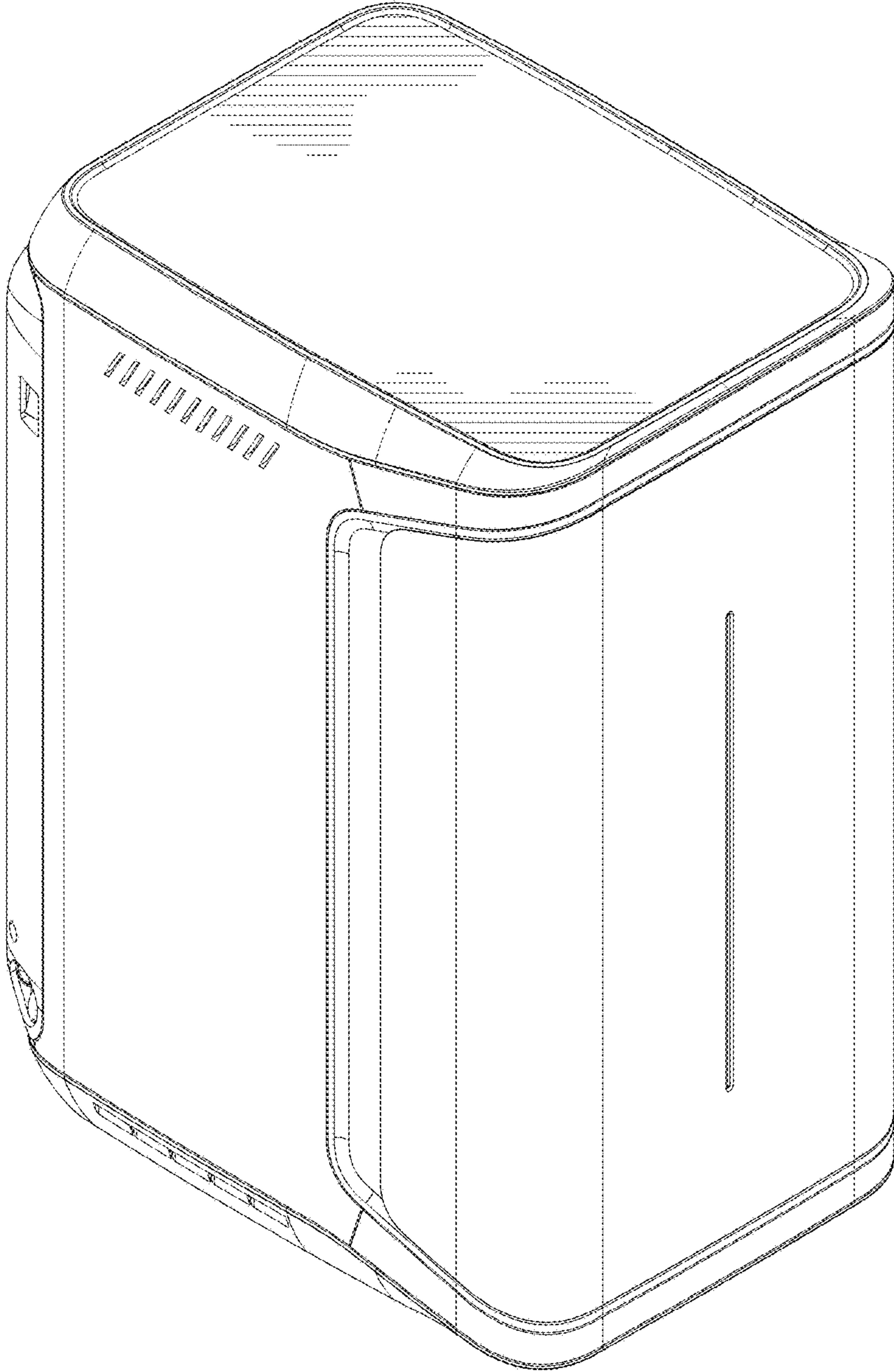


FIG.1

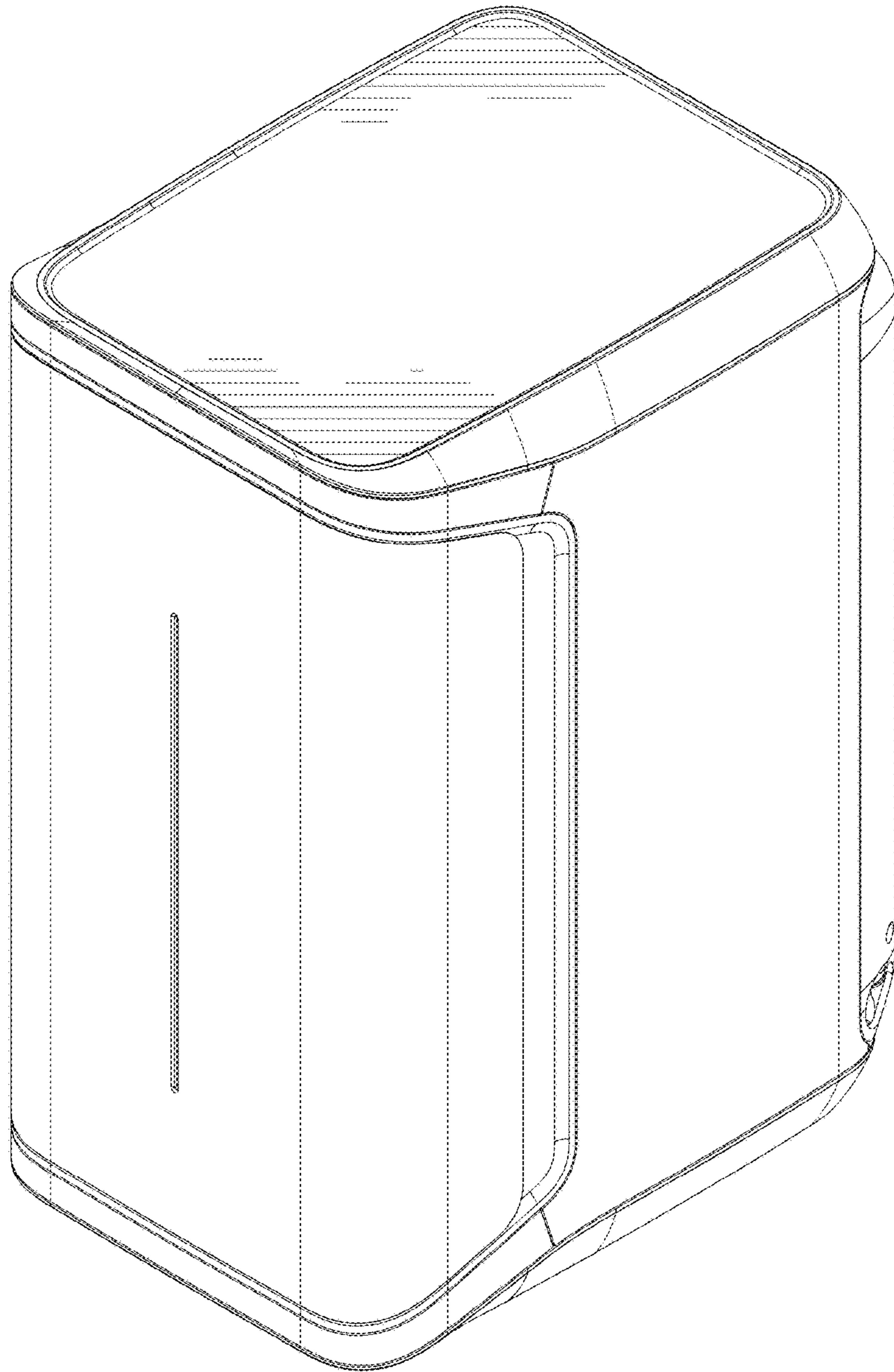


FIG. 2

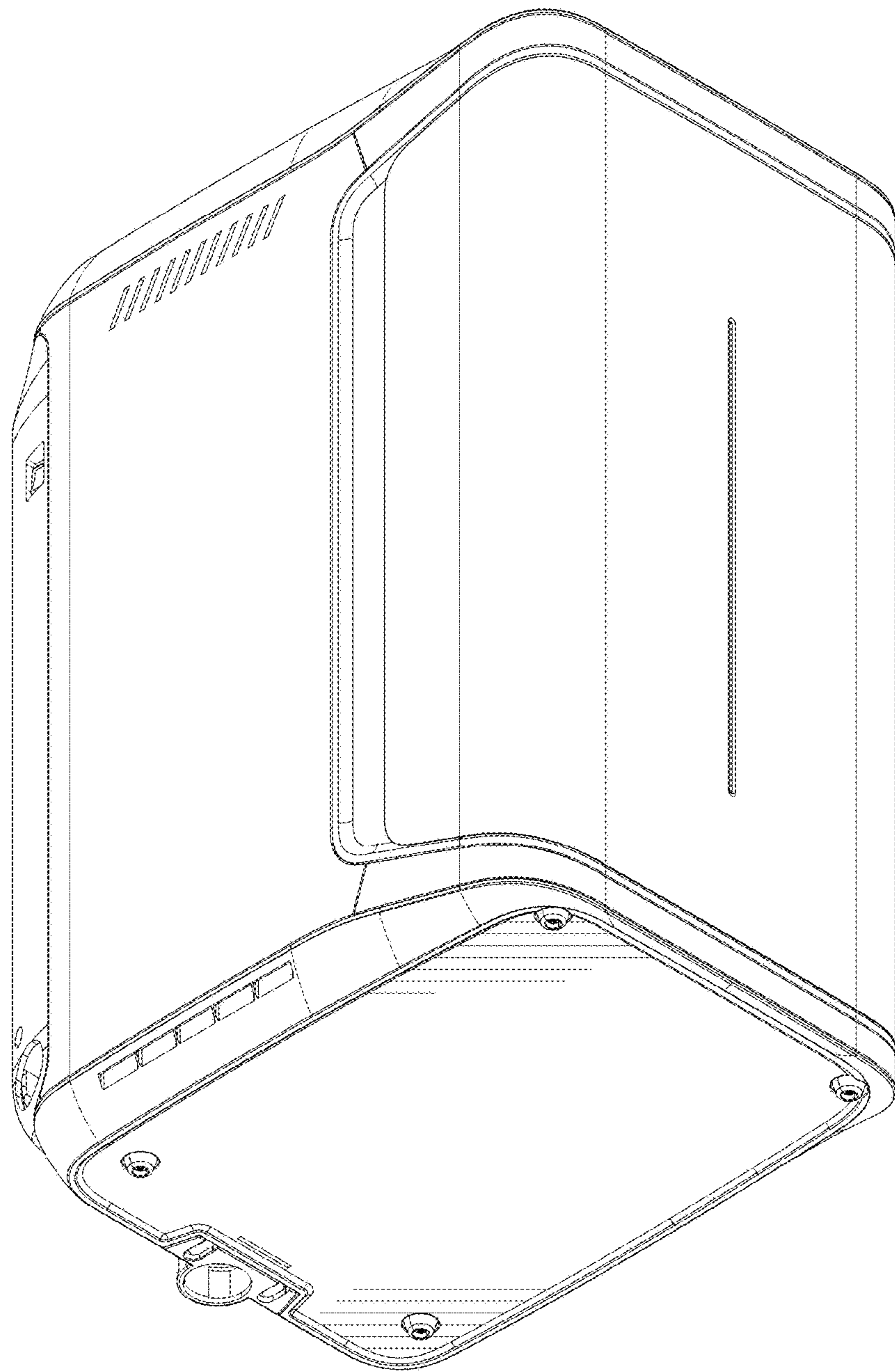


FIG.3

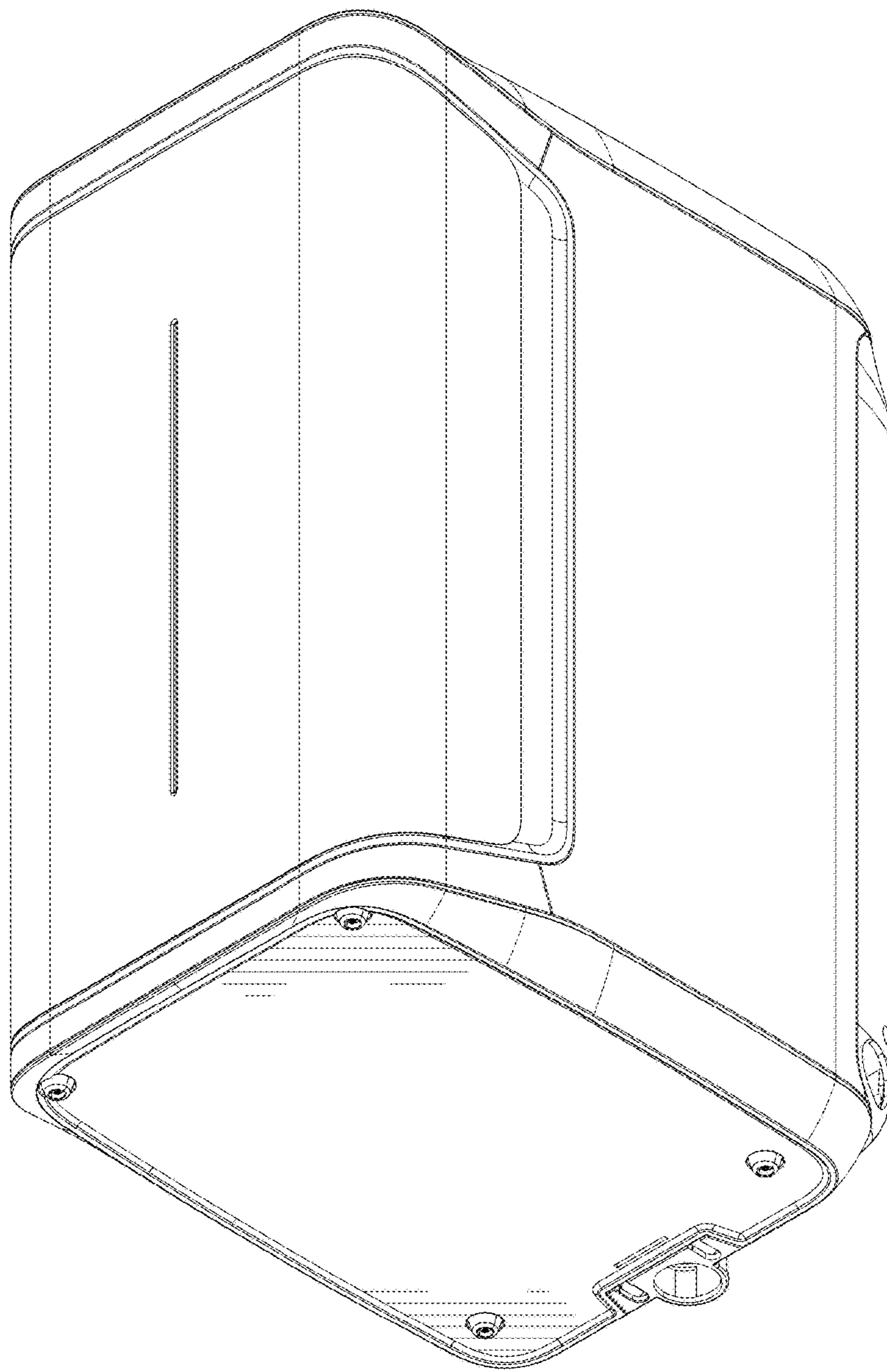


FIG.4

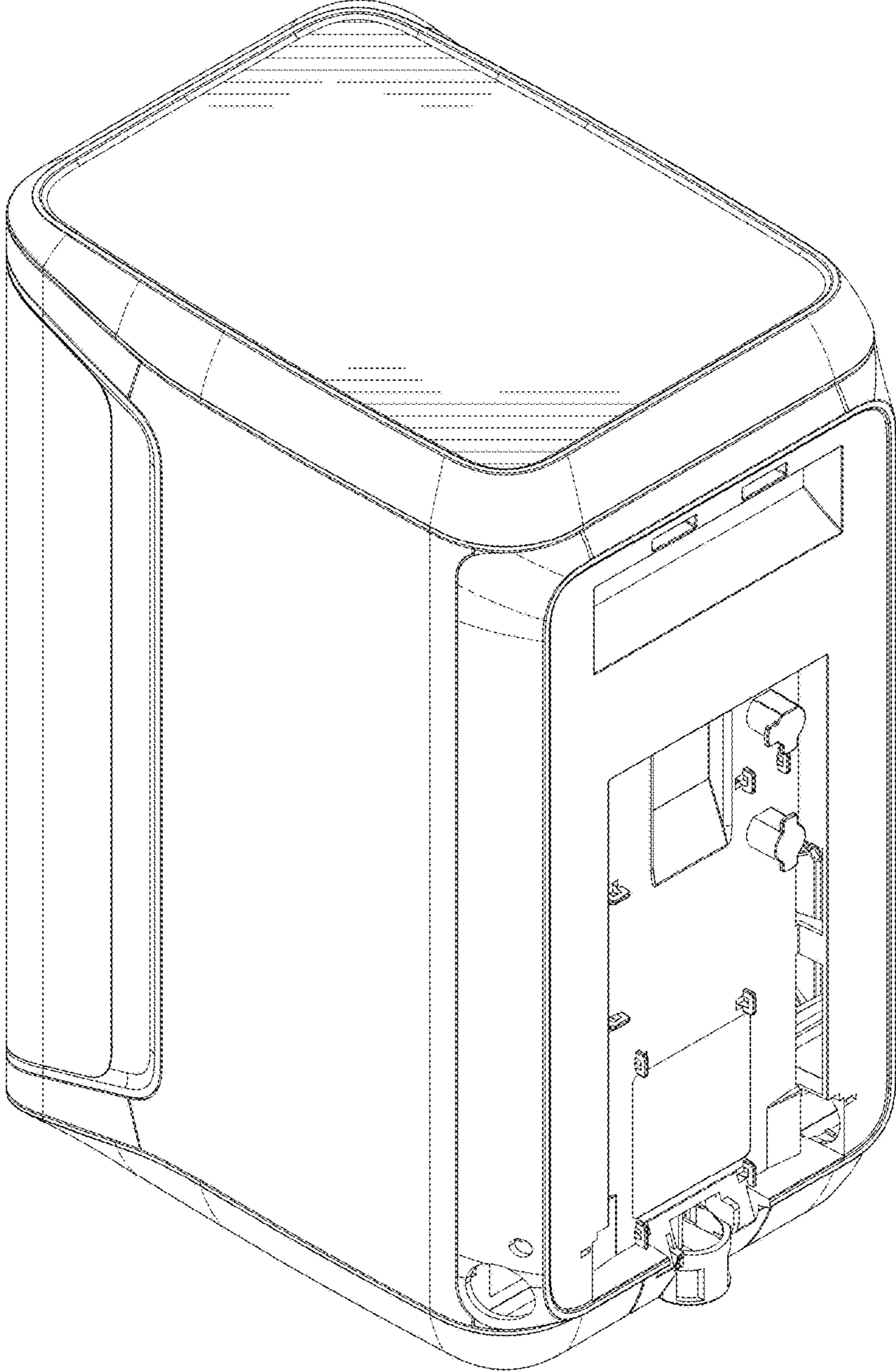


FIG.5

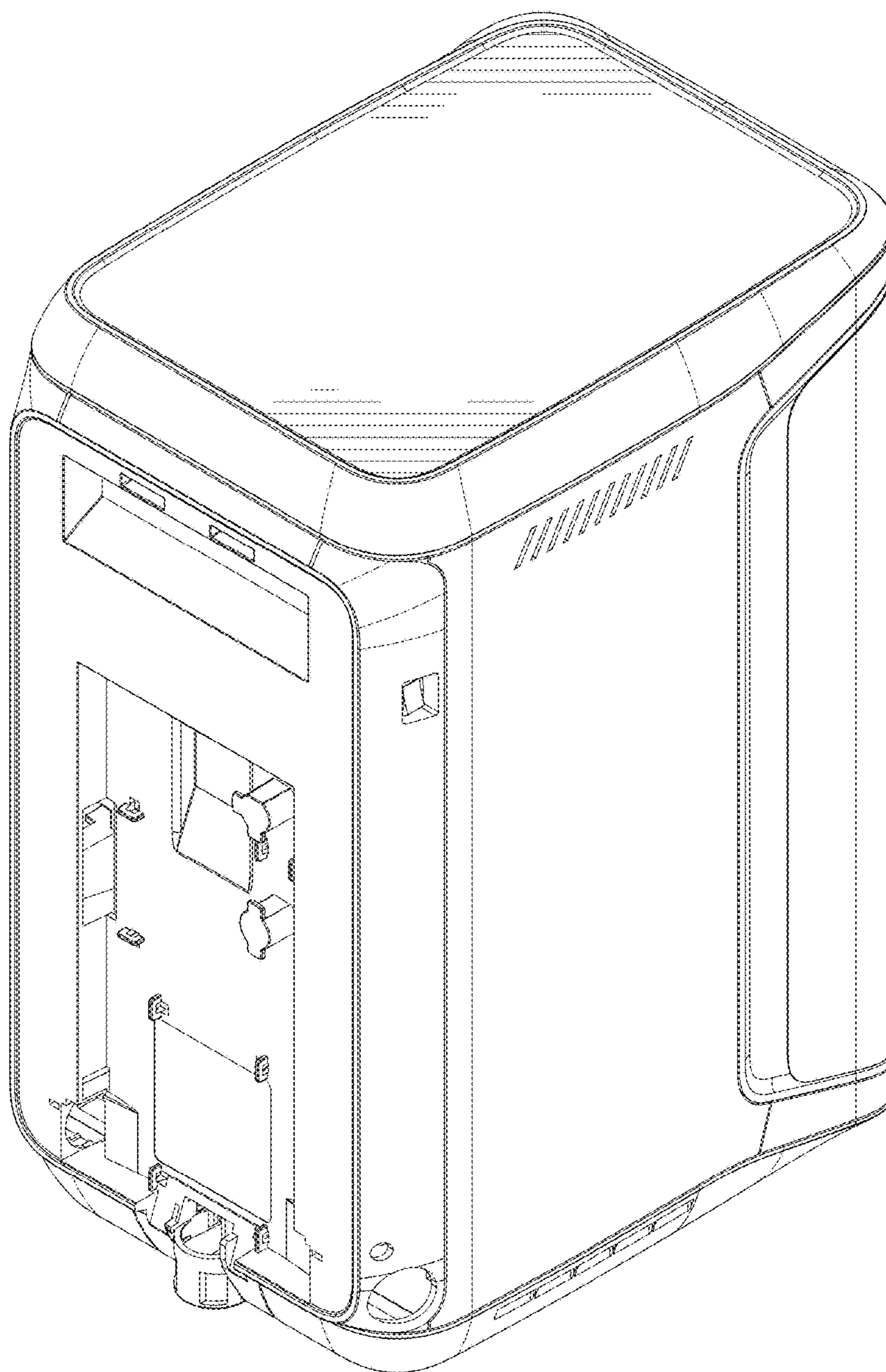


FIG.6

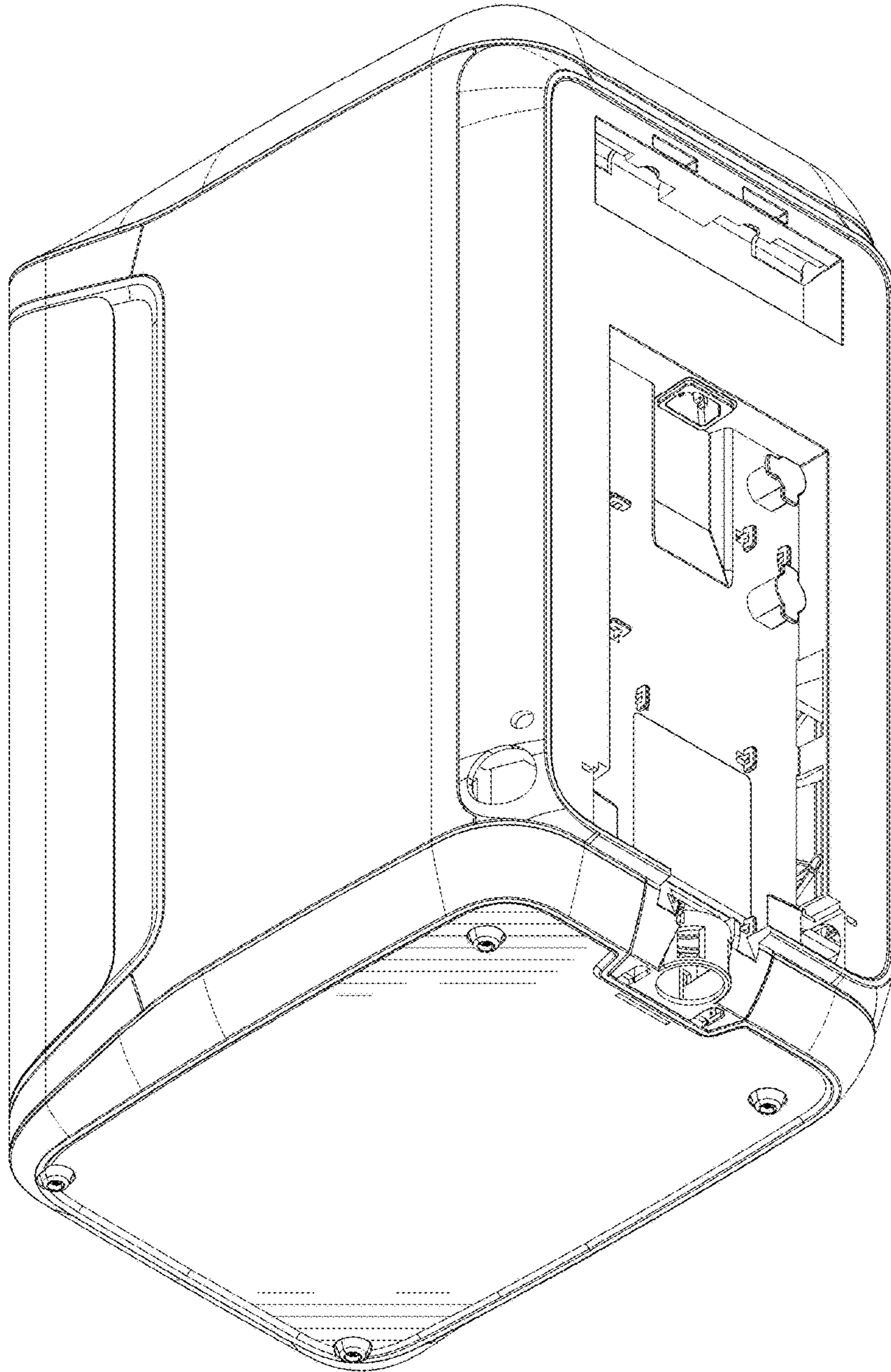


FIG.7

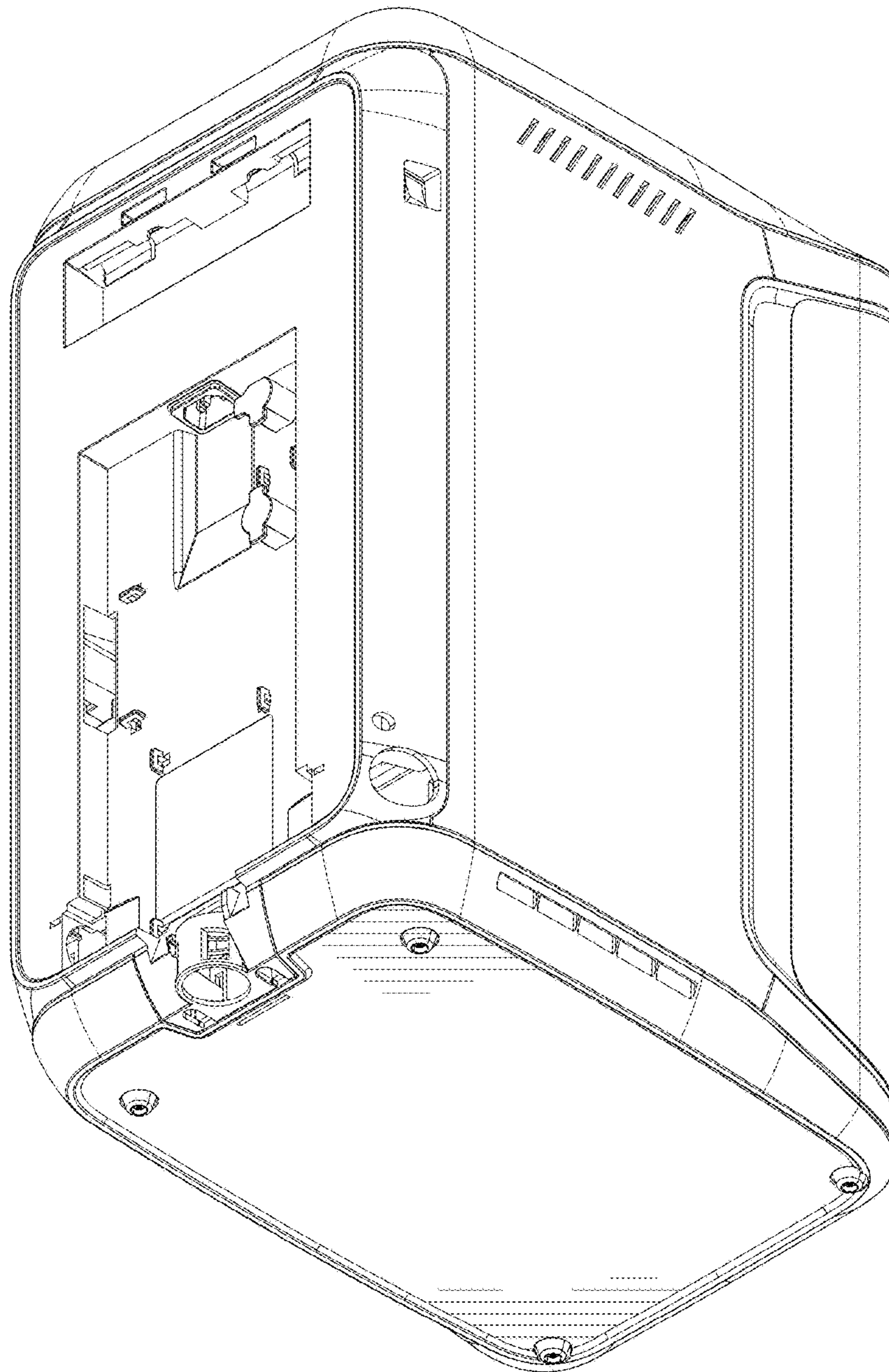


FIG.8

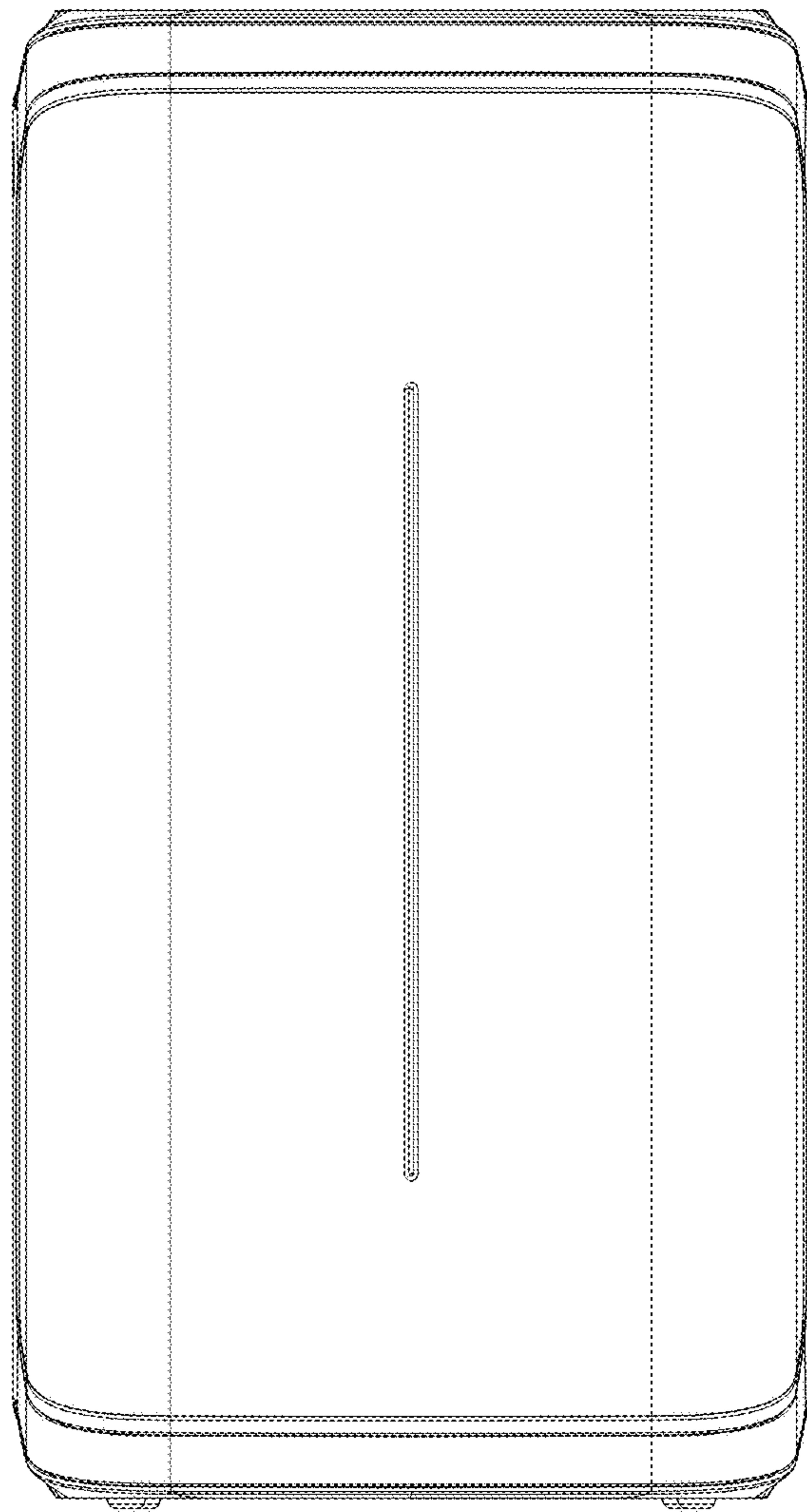


FIG.9

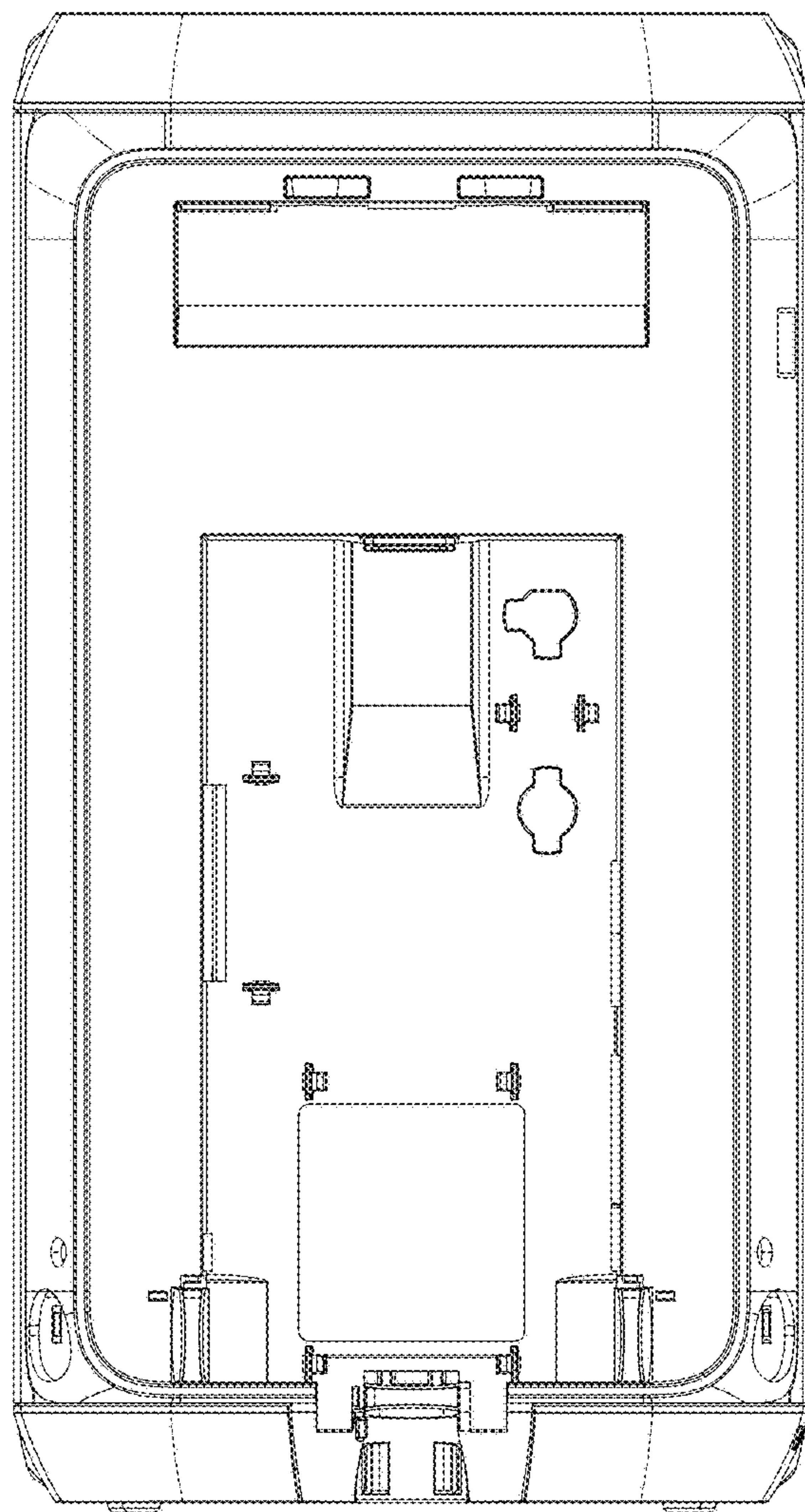


FIG.10

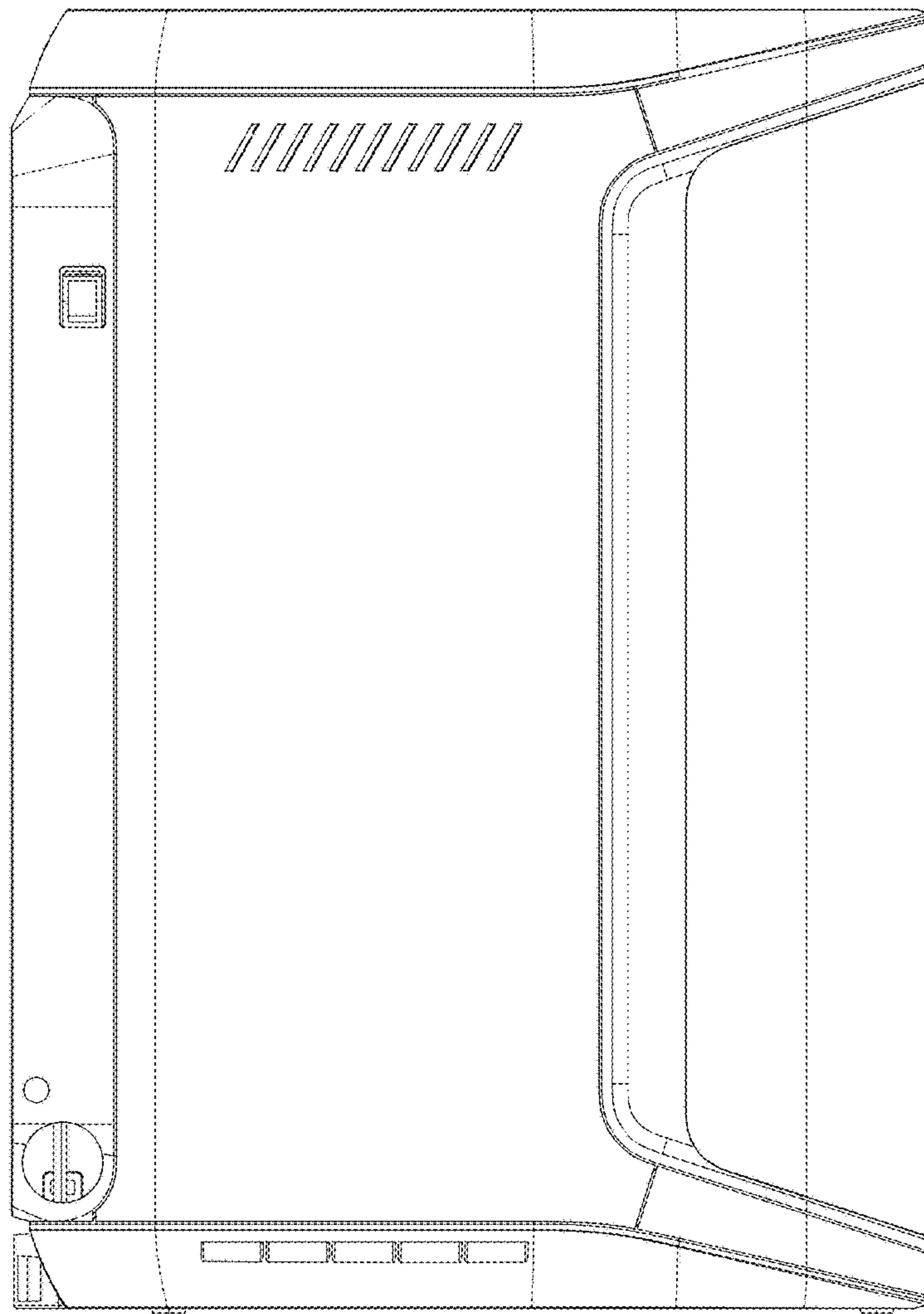


FIG.11

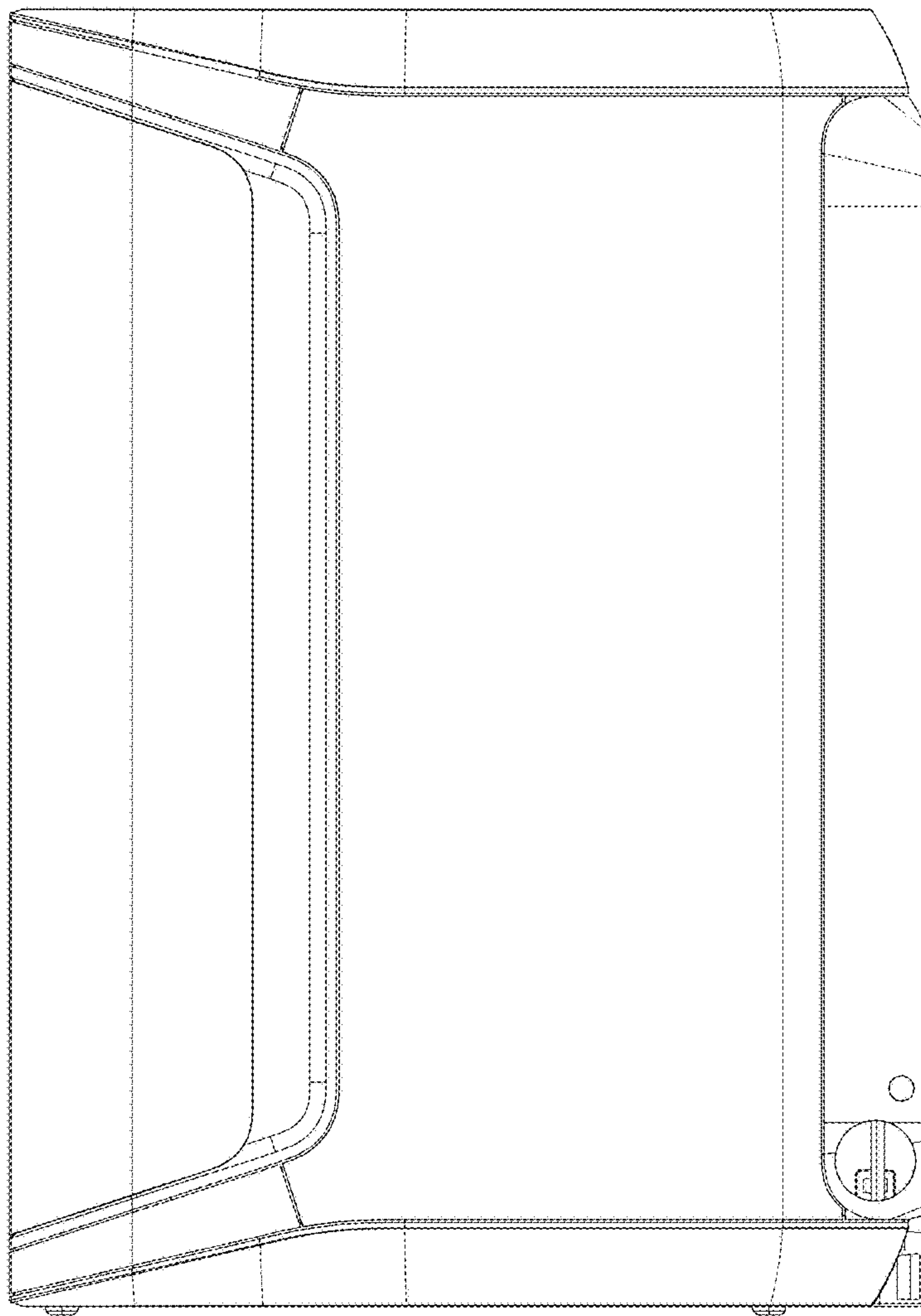


FIG.12

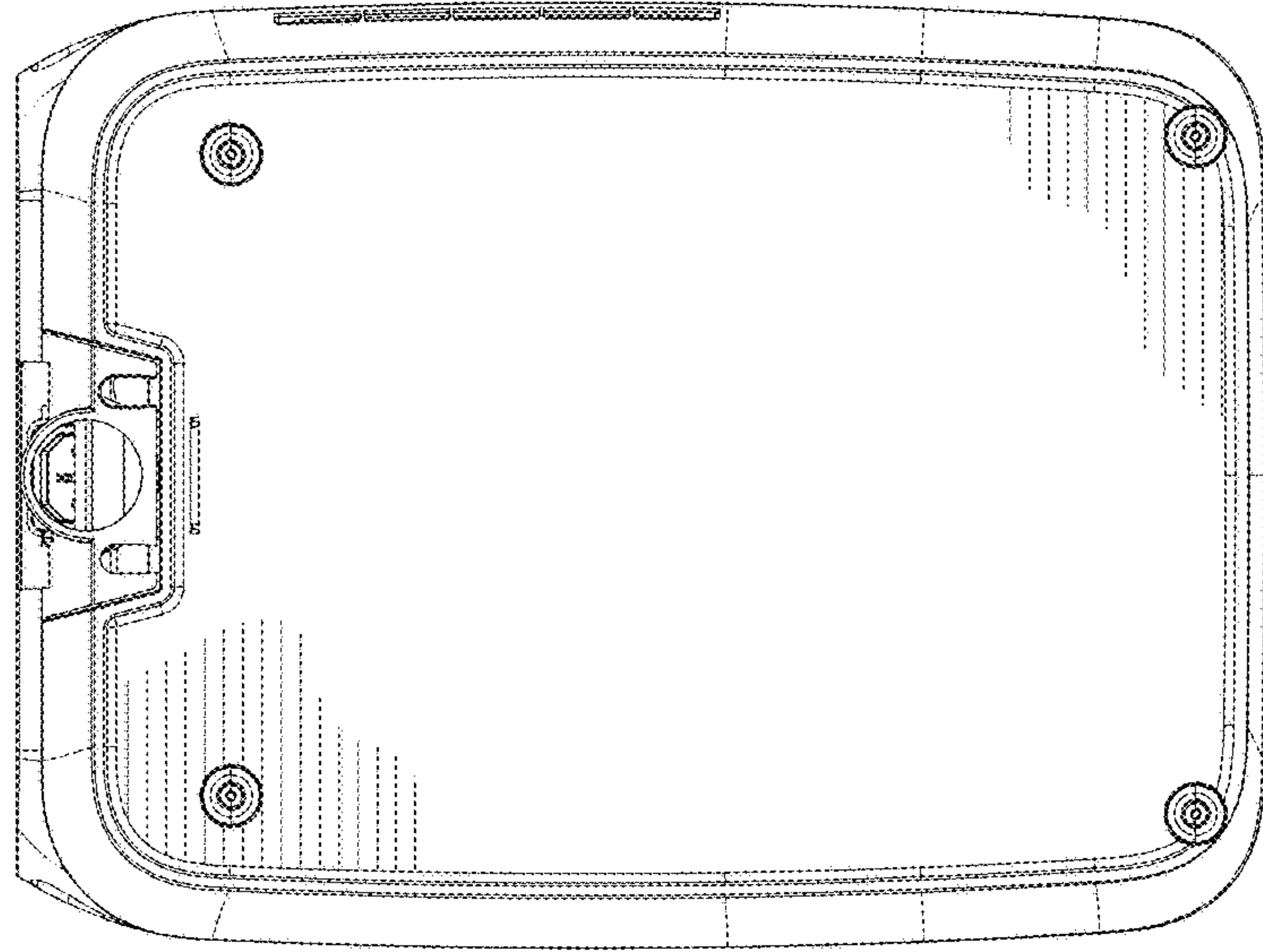


FIG.14

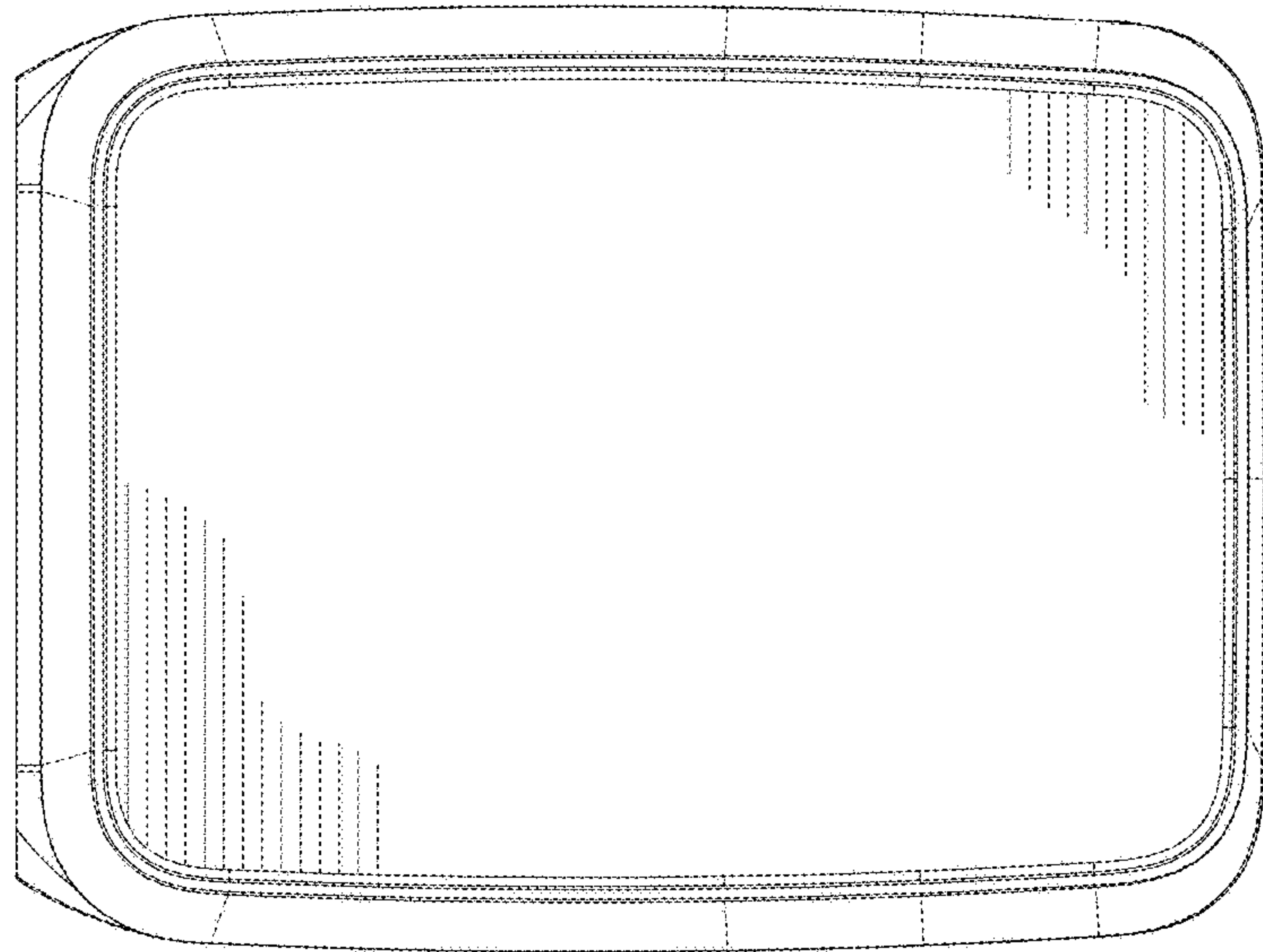


FIG.13