



US00D840499S

(12) **United States Design Patent**
DiTullio et al.

(10) **Patent No.:** **US D840,499 S**
(45) **Date of Patent:** **** Feb. 12, 2019**

(54) **END CAP FOR WATER STORAGE CHAMBER**

(71) Applicants: **Robert J. DiTullio**, Brookfield, CT (US); **Daniel P. Gera**, New Fairfield, CT (US)

(72) Inventors: **Robert J. DiTullio**, Brookfield, CT (US); **Daniel P. Gera**, New Fairfield, CT (US)

(73) Assignee: **Cultec, Inc.**, Brookfield, CT (US)

(**) Term: **15 Years**

(21) Appl. No.: **29/657,281**

(22) Filed: **Jul. 20, 2018**

(51) **LOC (11) Cl.** **23-01**

(52) **U.S. Cl.**
USPC **D23/206**

(58) **Field of Classification Search**
USPC D23/206, 207, 209; 405/43-49, 36
CPC A01G 25/06; E02B 11/005; E02B 13/02;
E03F 1/003; E03F 1/002; E03F 1/005
See application file for complete search history.

(56) **References Cited**

U.S. PATENT DOCUMENTS

5,087,151 A *	2/1992	DiTullio	E03F 1/003 405/43
7,008,138 B2 *	3/2006	Burnes	E03F 1/003 405/46
7,237,981 B1 *	7/2007	Vitarelli	E03F 1/003 210/170.03

7,419,332 B1 *	9/2008	Brochu	E03F 1/003 405/46
7,517,172 B2 *	4/2009	Sipaila	E03F 1/003 405/36
D613,819 S *	4/2010	DiTullio	E03F 1/003 D23/207
7,806,627 B2 *	10/2010	DiTullio	E03F 1/003 405/46
D668,318 S *	10/2012	DiTullio	E03F 1/003 D23/207
D753,262 S	4/2016	DiTullio		
D792,552 S *	7/2017	DiTullio	E03F 1/003 D23/207

* cited by examiner

Primary Examiner — Robin V Webster

(74) *Attorney, Agent, or Firm* — St Onge Steward
Johnston and Reens LLC

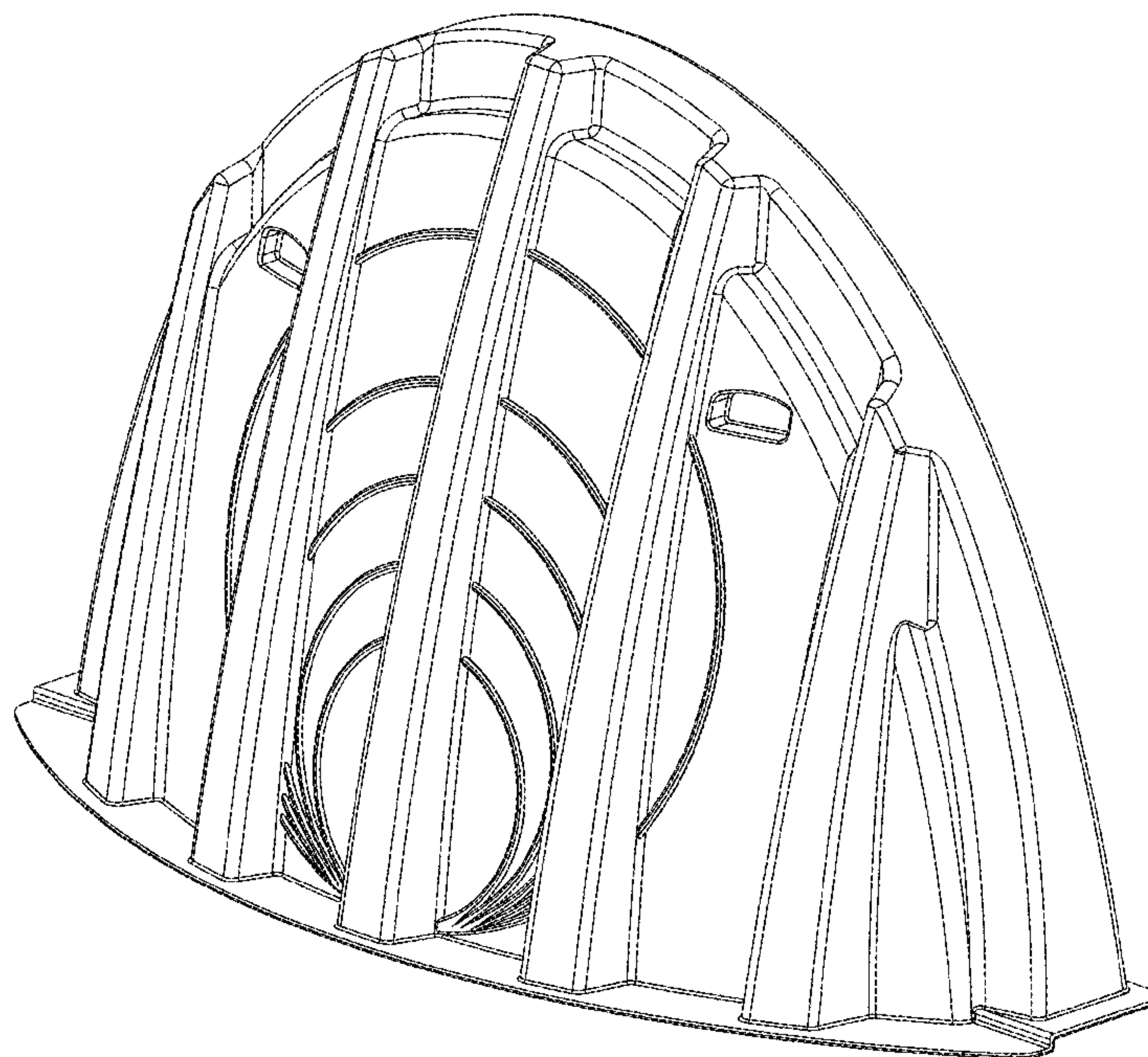
(57) **CLAIM**

The ornamental design for an end cap for water storage chamber, as shown and described.

DESCRIPTION

FIG. 1 is a front, top and left side isometric view of an end cap for water storage chamber in accordance with the new design;
FIG. 2 is a front elevation view thereof;
FIG. 3 is a rear elevational view thereof;
FIG. 4 is a right side elevational view thereof;
FIG. 5 is a left side elevational view thereof;
FIG. 6 is a top plan view thereof; and,
FIG. 7 is a bottom plan view thereof.

1 Claim, 7 Drawing Sheets



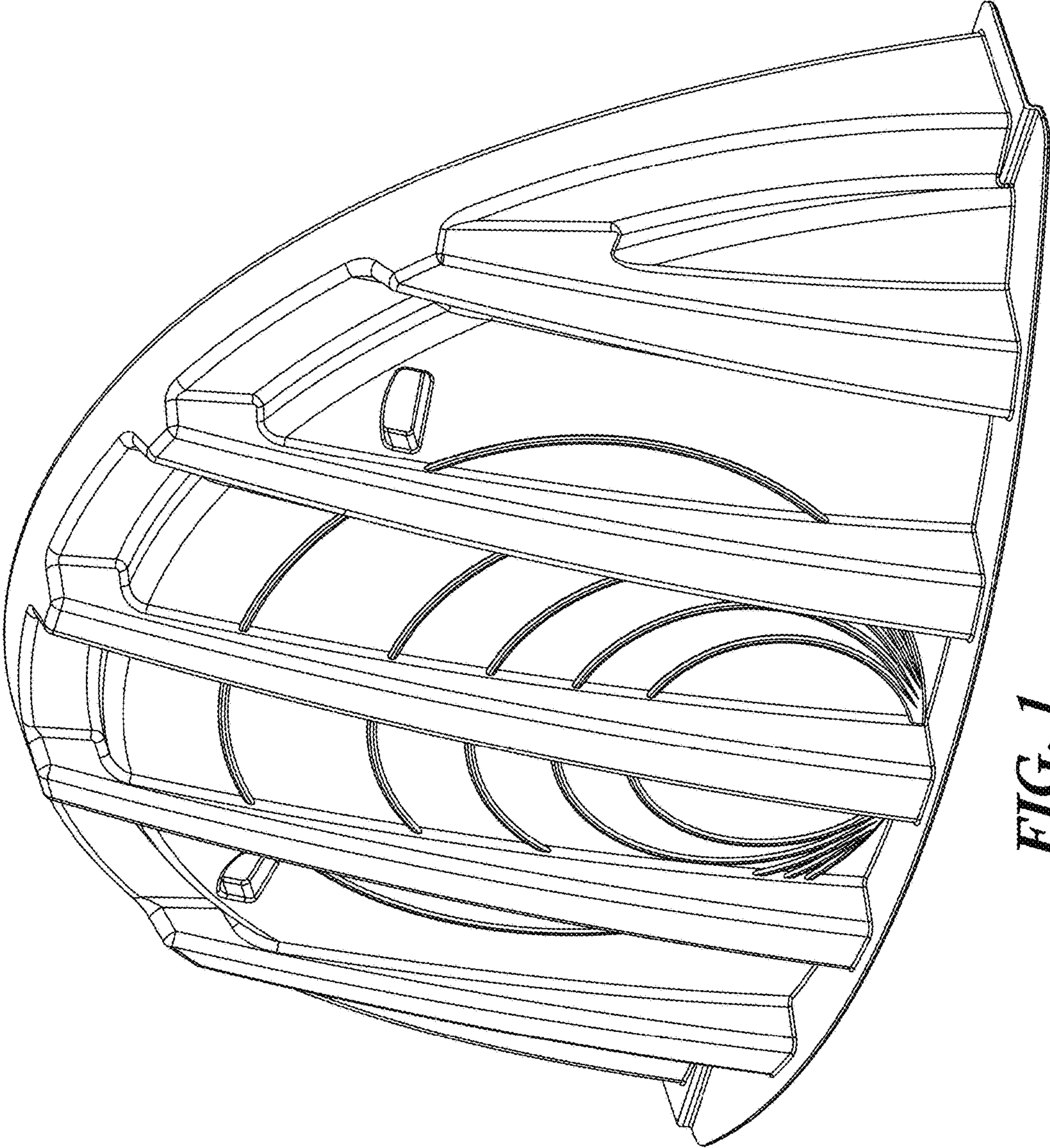


FIG. 1

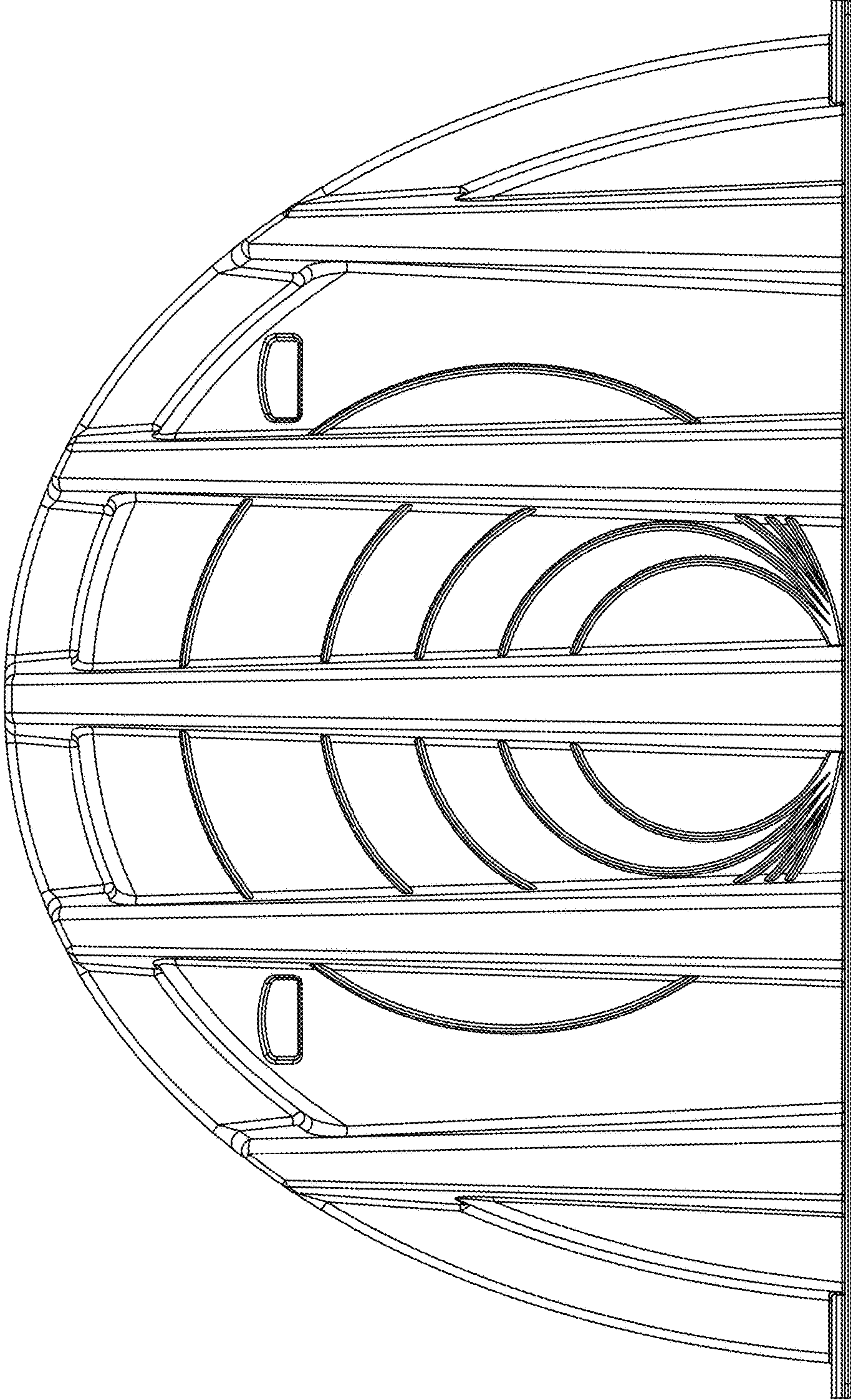


FIG. 2

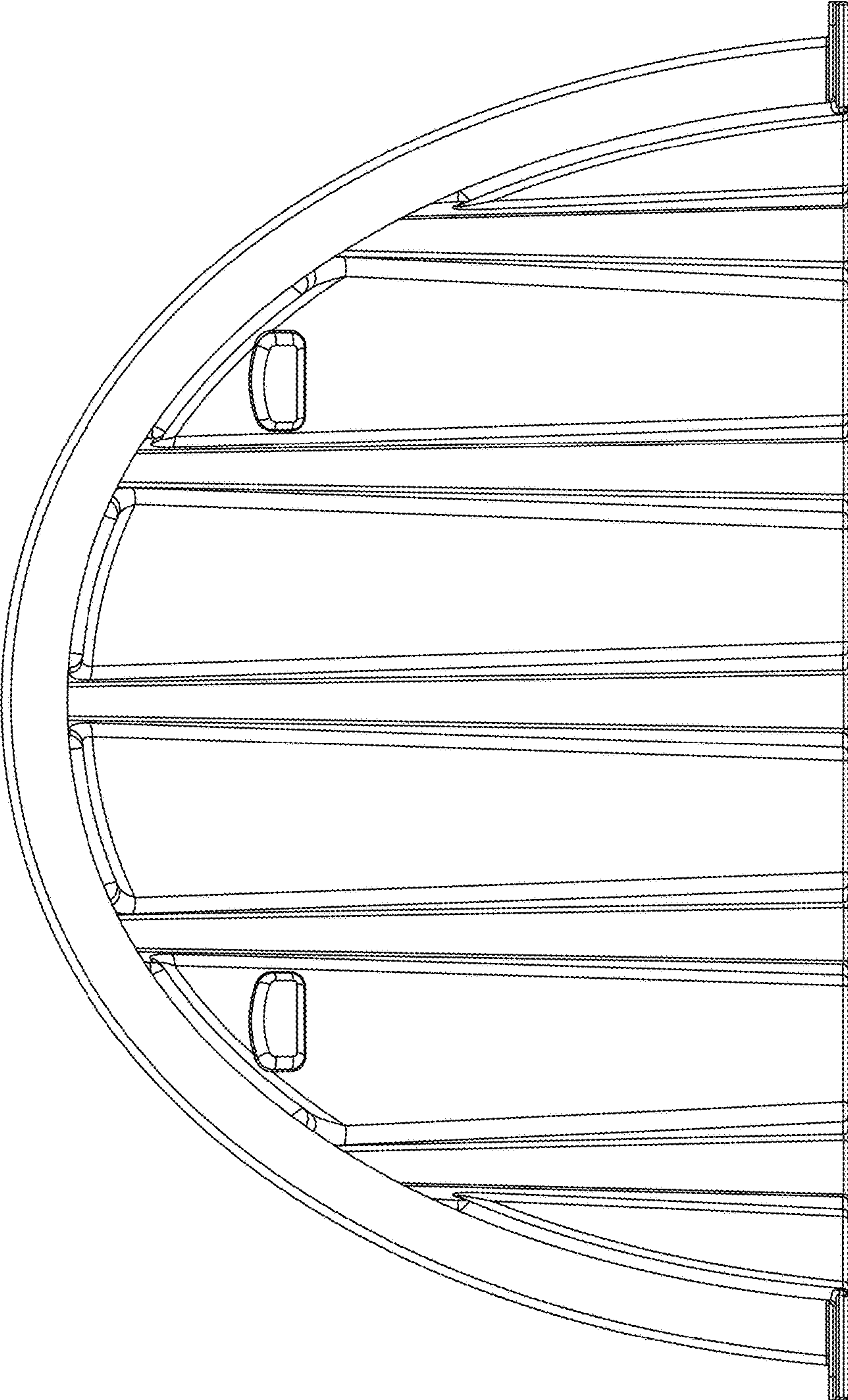


FIG. 3

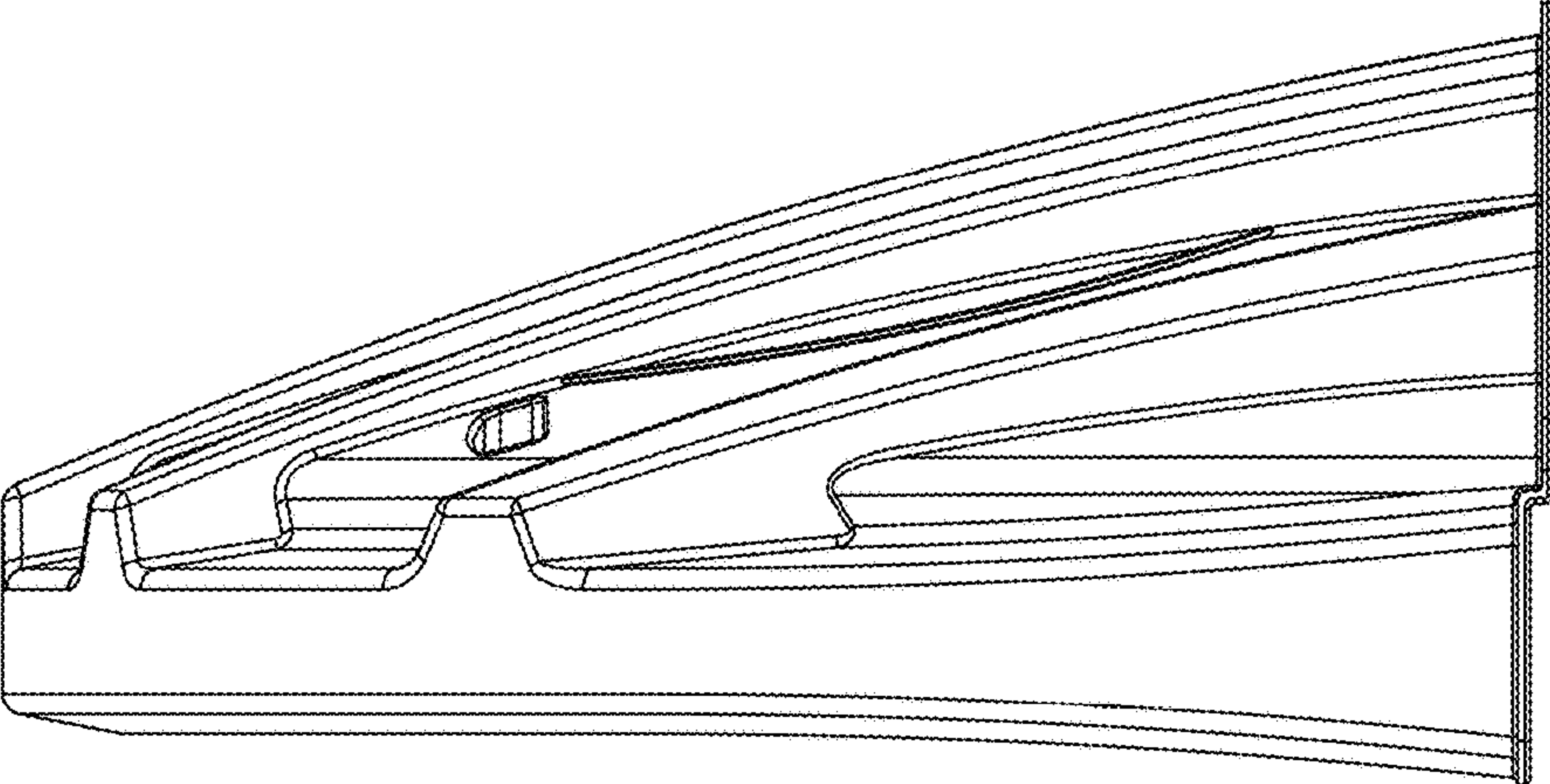


FIG. 4

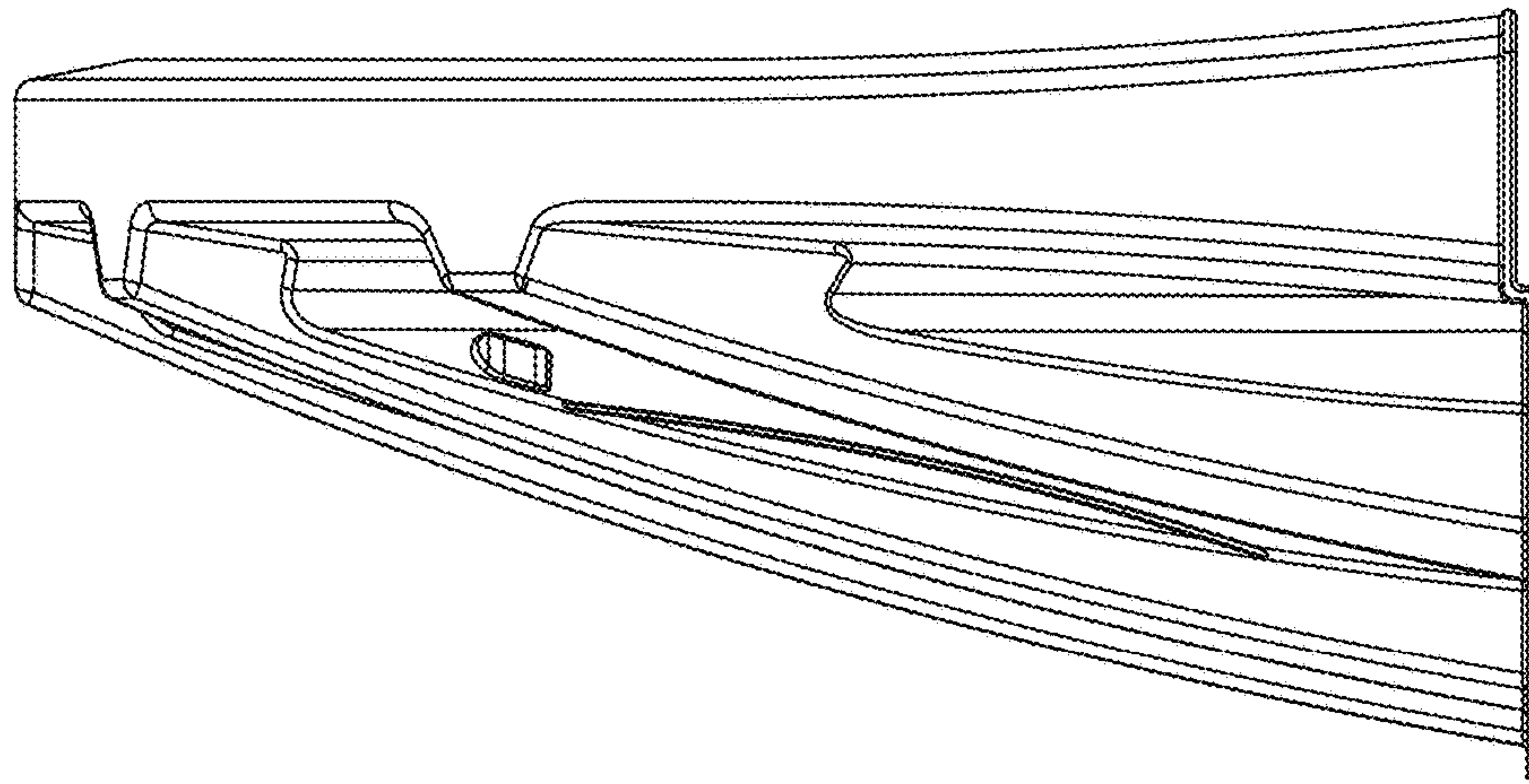


FIG. 5

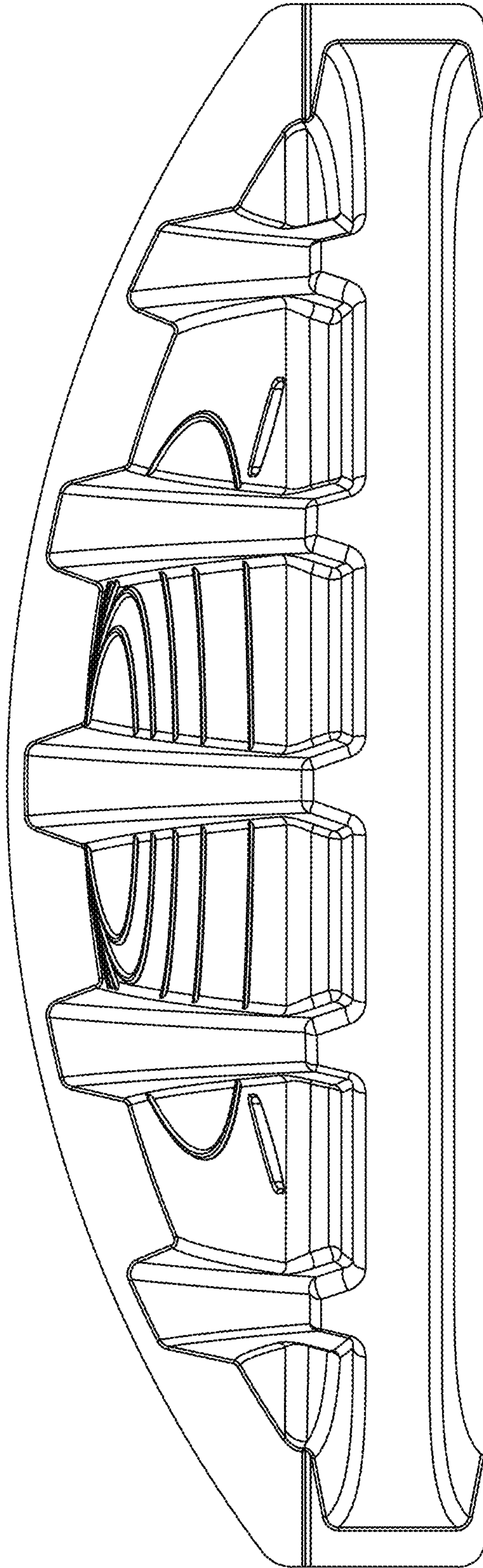


FIG. 6

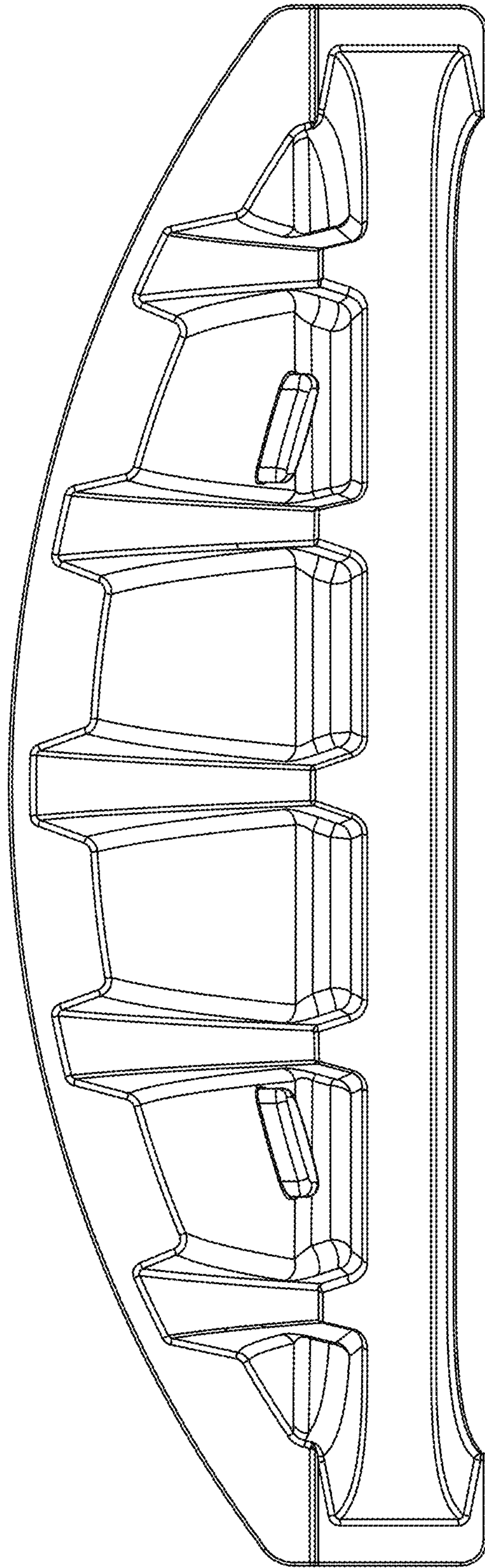


FIG. 7