



US00D840497S

(12) **United States Design Patent**  
**Bradley**

(10) **Patent No.:** **US D840,497 S**

(45) **Date of Patent:** **\*\* Feb. 12, 2019**

(54) **DEER SKINNER**

(71) Applicant: **Jack Bradley**, Lugoff, SC (US)

(72) Inventor: **Jack Bradley**, Lugoff, SC (US)

(\*\*) Term: **15 Years**

(21) Appl. No.: **29/623,229**

(22) Filed: **Oct. 24, 2017**

(51) **LOC (11) Cl.** ..... **22-99**

(52) **U.S. Cl.**

USPC ..... **D22/199**

(58) **Field of Classification Search**

USPC ..... D22/199; 452/125, 187; 294/26, 74,  
294/81.6; 248/317; D8/20, 98; 30/314

CPC .... A22B 5/00; A22B 5/06; A22B 5/08; A22B  
3/10

See application file for complete search history.

(56) **References Cited**

**U.S. PATENT DOCUMENTS**

D236,321 S *	8/1975	Cromoga	.....	D8/20
4,425,678 A *	1/1984	Pepper	.....	A22B 5/06 294/74
4,656,693 A *	4/1987	Brooks	.....	A22B 5/06 452/187
5,033,987 A *	7/1991	Bloch	.....	A22B 3/10 30/314

D623,263 S *	9/2010	Bradley	.....	D22/199
D804,608 S *	12/2017	Menard-Oxman	.....	D22/149

\* cited by examiner

*Primary Examiner* — Catherine R Oliver-Garcia

(74) *Attorney, Agent, or Firm* — Bennett Mullinax, LLC

(57) **CLAIM**

The ornamental design for a deer skinner, as shown and described.

**DESCRIPTION**

FIG. 1 is a front and side perspective view of the deer skinner as shown in FIG. 1;

FIG. 2 is a rear and bottom perspective view of the deer skinner as shown in FIG. 1;

FIG. 3 is a front view of the deer skinner as shown in FIG. 1;

FIG. 4 is a rear view of the deer skinner as shown in FIG. 1;

FIG. 5 is a right side view of the deer skinner as shown in FIG. 1;

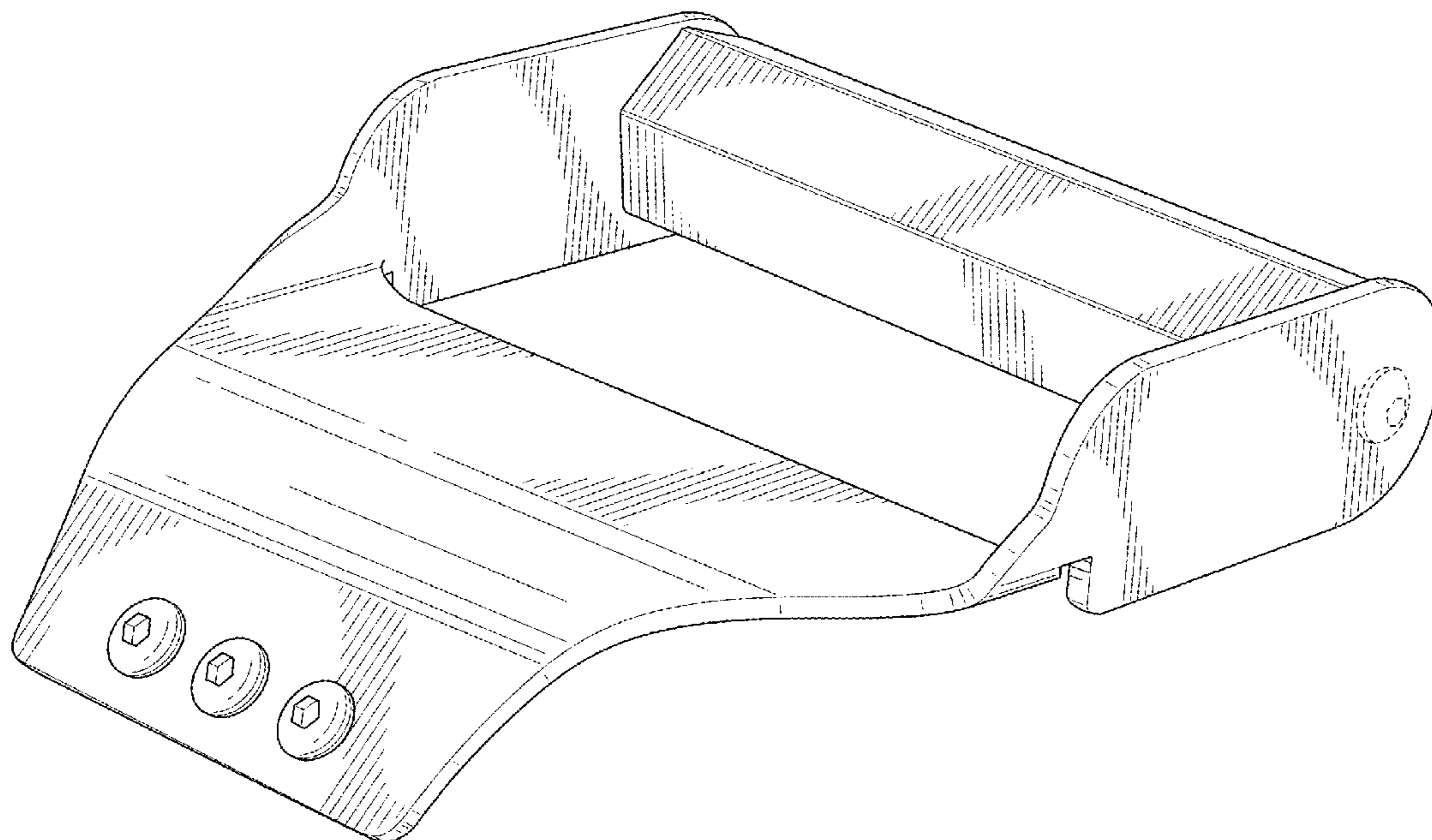
FIG. 6 is a left side view of the deer skinner as shown in FIG. 1;

FIG. 7 is a top view of the deer skinner as shown in FIG. 1; and,

FIG. 8 is a bottom view of the deer skinner as shown in Figure.

The broken lines in FIGS. 1-8 depict environmental structure and are for illustrative purposes only and form no part of the claimed design.

**1 Claim, 6 Drawing Sheets**



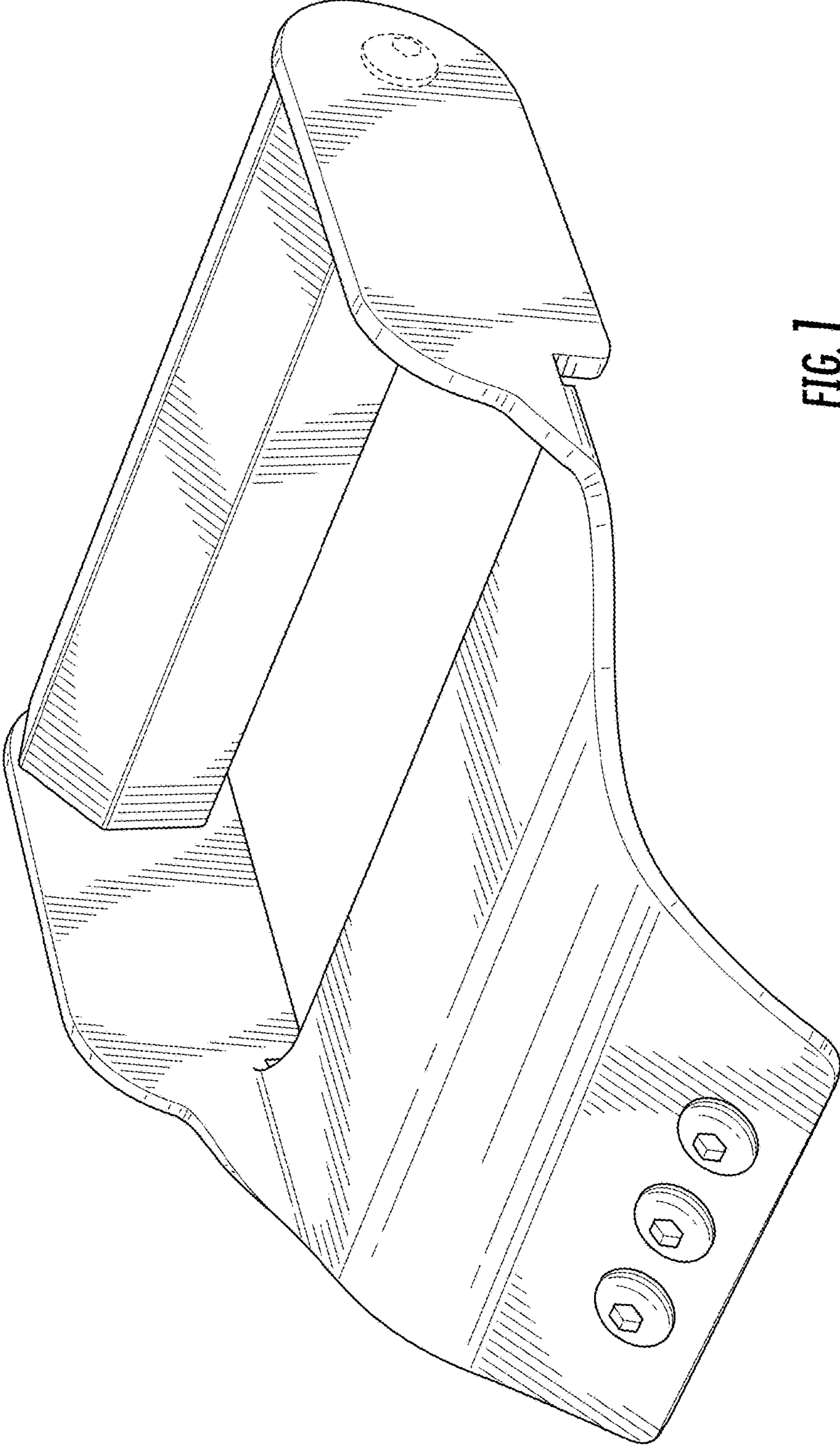


FIG. 1

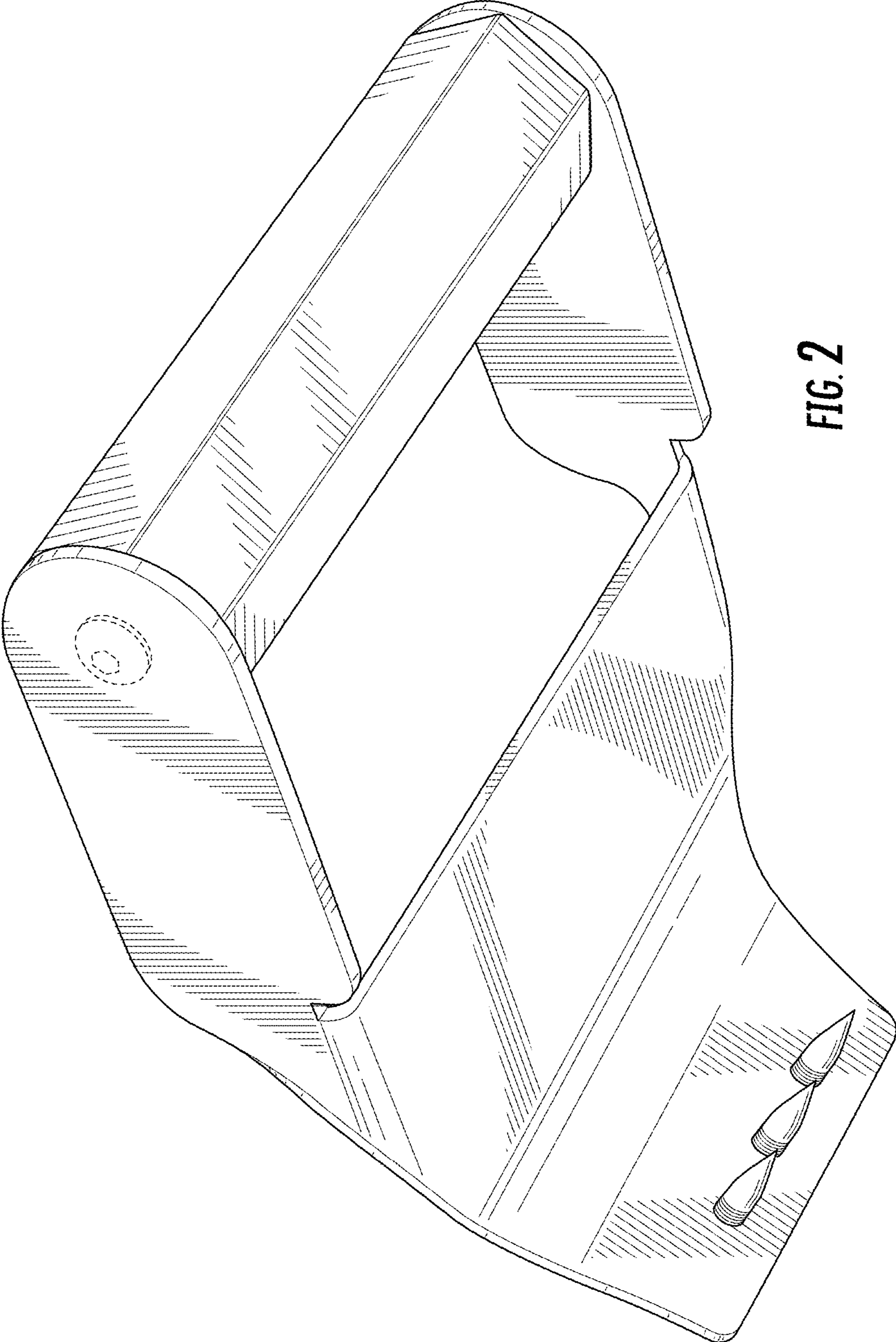


FIG. 2

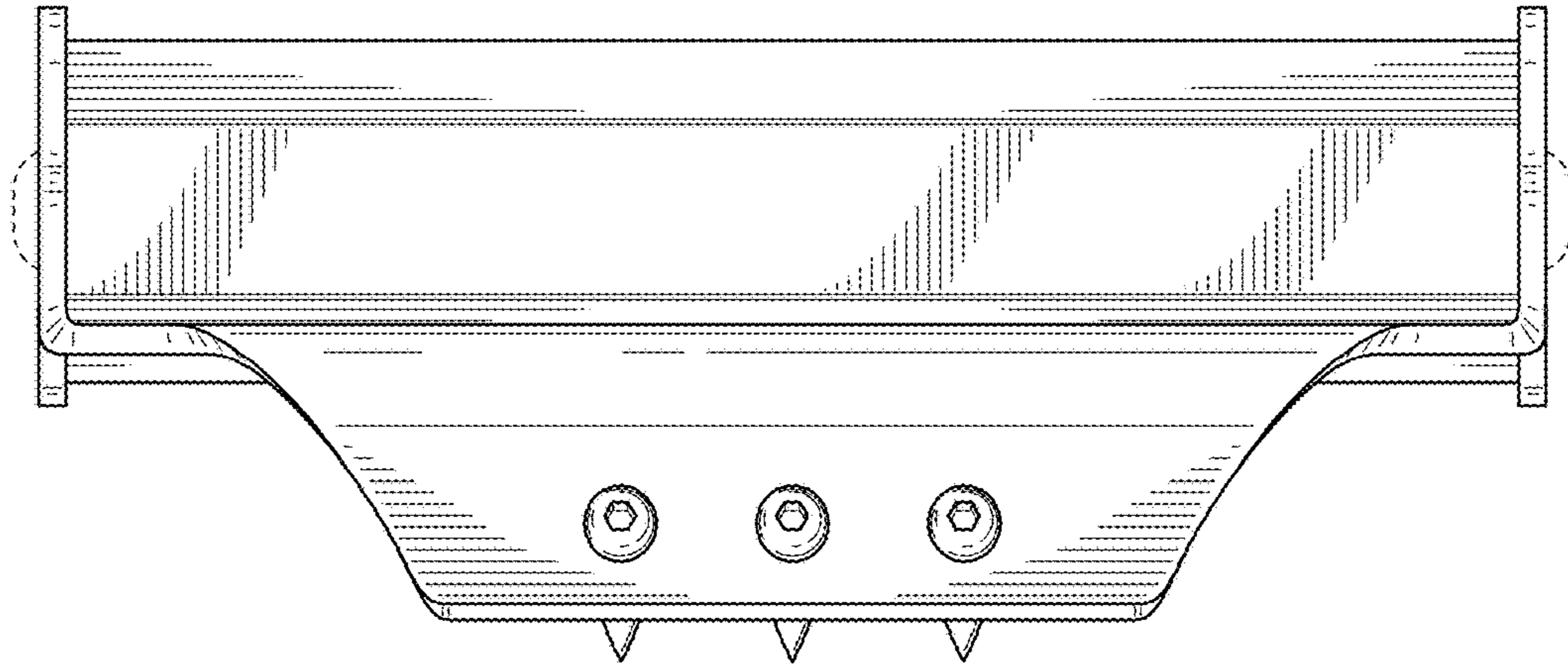


FIG. 3

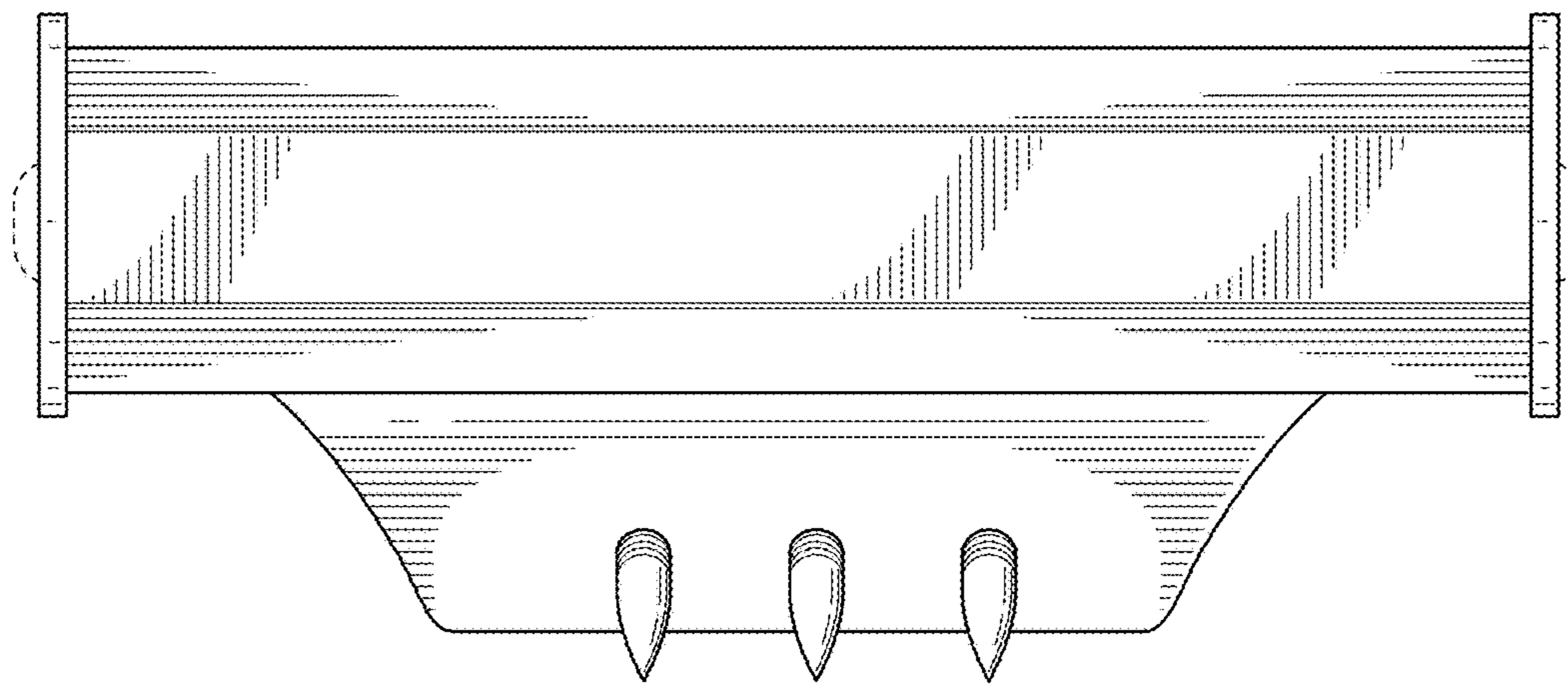


FIG. 4

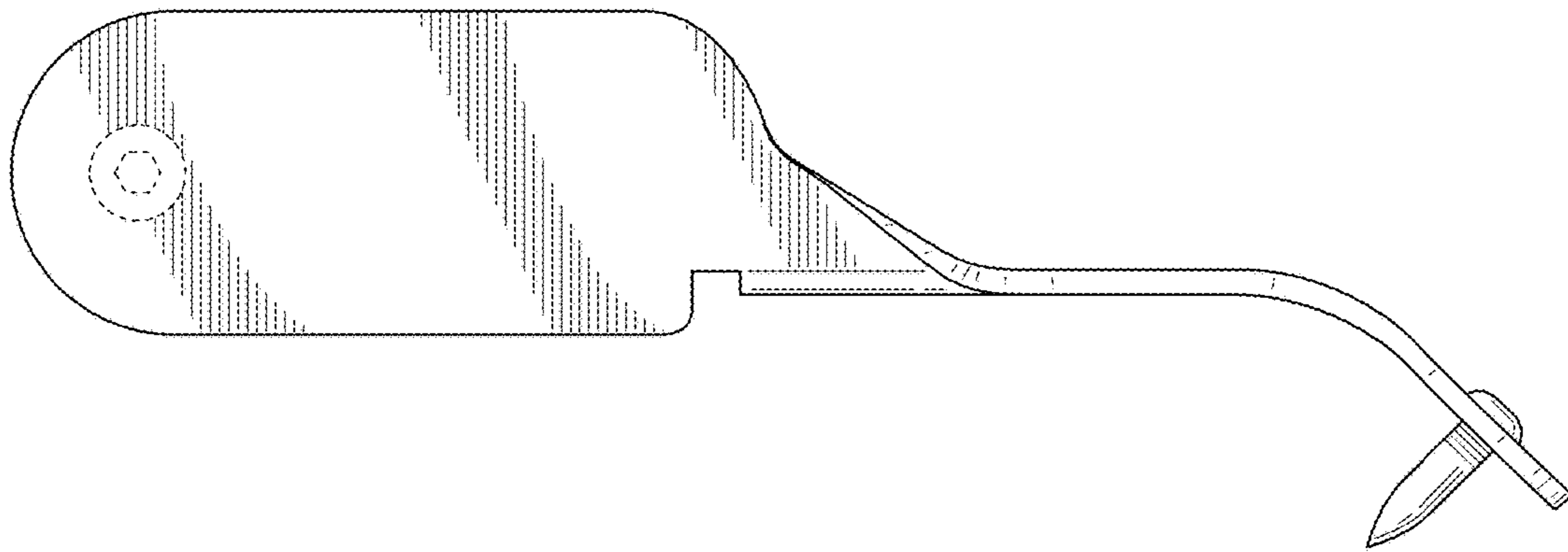


FIG. 5

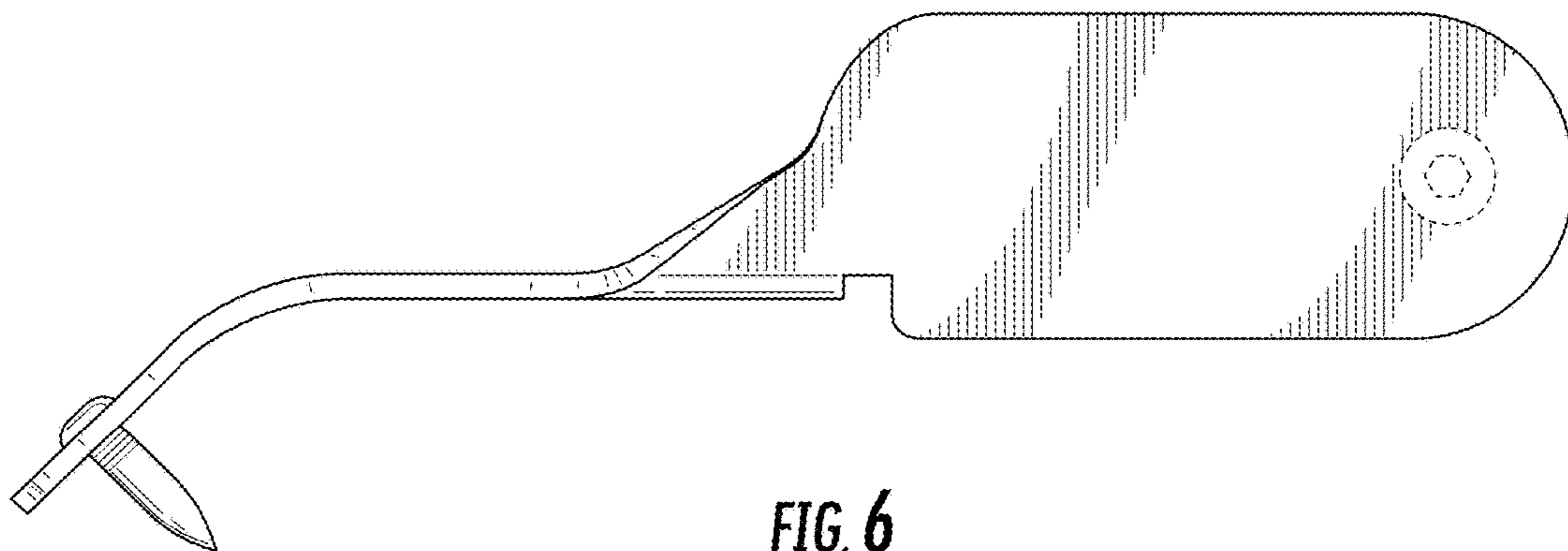


FIG. 6

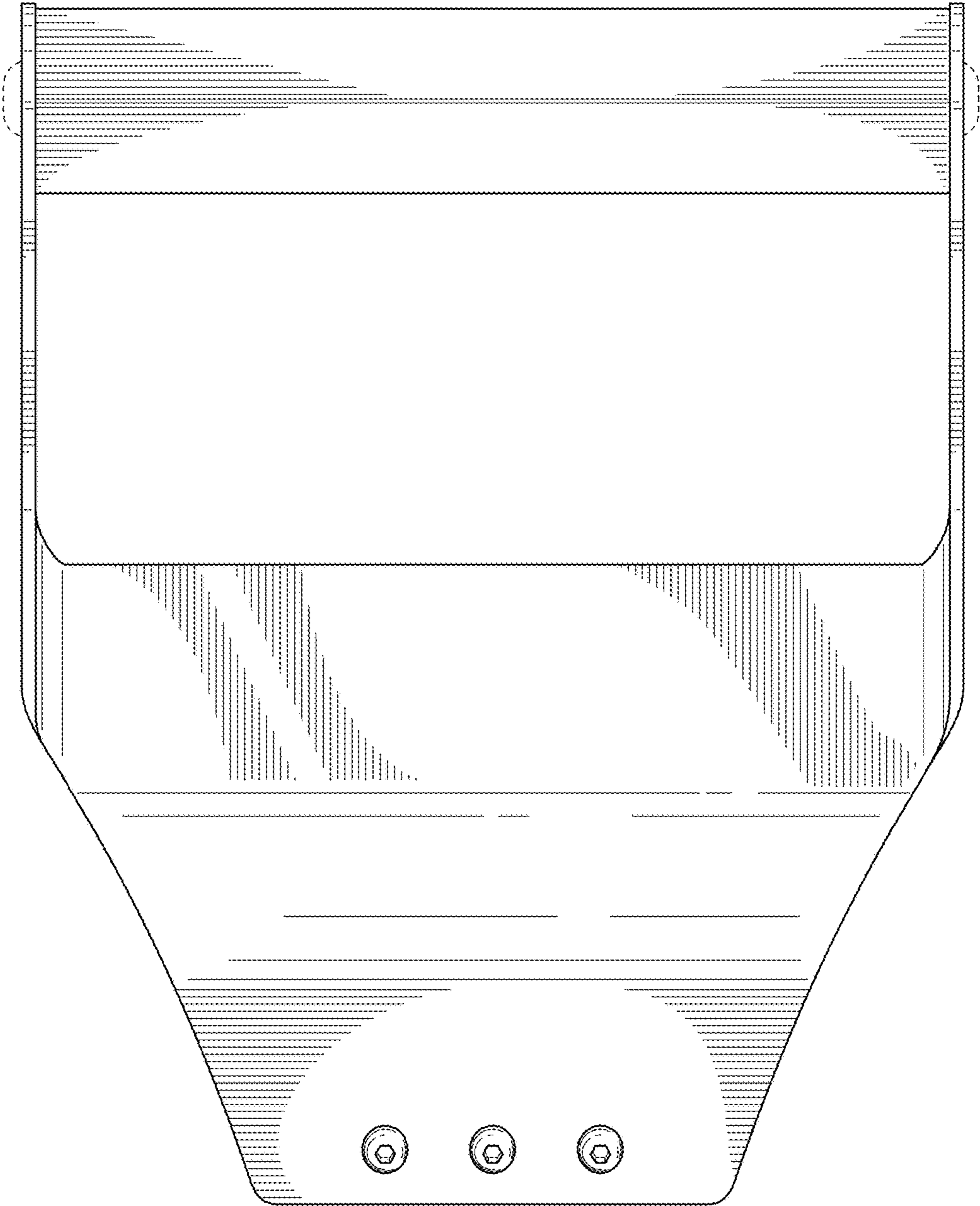


FIG. 7

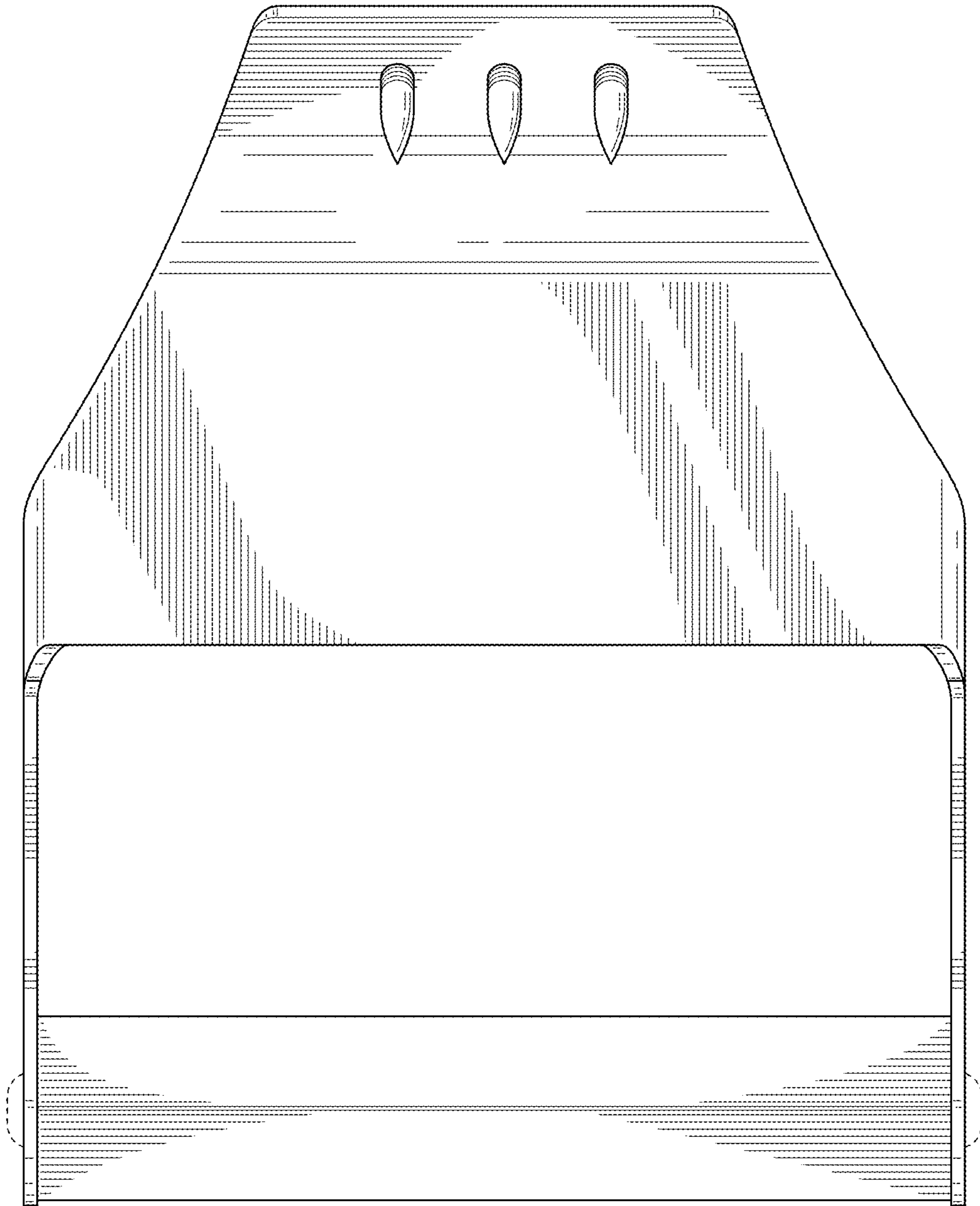


FIG. 8