

US00D840492S

(12) **United States Design Patent**  
**Bowman et al.**

(10) **Patent No.:** **US D840,492 S**  
(45) **Date of Patent:** **\*\* Feb. 12, 2019**

(54) **FEATURELESS BACKSTRAP FOR A GRIP FOR FIREARMS**

(71) Applicants: **Michael Bowman**, Fullerton, CA (US);  
**George Ruiz**, Hacienda Heights, CA (US)

(72) Inventors: **Michael Bowman**, Fullerton, CA (US);  
**George Ruiz**, Hacienda Heights, CA (US)

(73) Assignee: **AIM Sports Inc.**, Ontario, CA (US)

(\*\*) Term: **15 Years**

(21) Appl. No.: **29/593,631**

(22) Filed: **Feb. 10, 2017**

(51) **LOC (11) Cl.** ..... **22-01**

(52) **U.S. Cl.**  
USPC ..... **D22/108**

(58) **Field of Classification Search**  
USPC ..... D22/100, 103, 108–109; D21/572–575;  
D8/68; 89/111–113; 359/399, 823, 744;  
362/109–114; 42/90, 94, 104, 105,  
42/111–114, 116, 117, 120, 124–126,  
42/127–129, 131, 133–140, 141–148;  
33/227, 229  
CPC . F41G 1/35; F41G 11/003; F41G 1/00; F41G  
1/36; F41G 1/34; F41G 3/26; F41C  
23/10; F41C 23/18; F41C 23/14; F41C  
23/16

See application file for complete search history.

(56) **References Cited**

**U.S. PATENT DOCUMENTS**

28,433 A \* 5/1860 Alsop ..... F41C 23/04  
42/72  
815,609 A \* 3/1906 Marti ..... F41C 23/04  
42/72

1,016,695 A \* 2/1912 Kimmel ..... F41C 23/12  
42/72  
1,477,445 A \* 12/1923 Petritsch ..... F41C 23/12  
42/72  
1,557,865 A \* 10/1925 Neel ..... F41C 23/12  
42/72  
3,162,966 A \* 12/1964 La Coss ..... F41C 23/12  
42/106  
3,184,877 A \* 5/1965 Andrews ..... F41C 23/12  
42/72  
3,609,902 A \* 10/1971 Casull ..... F41C 23/12  
42/62

(Continued)

**OTHER PUBLICATIONS**

Featureless AR-15 Rifles [2018]: California Build Guide, PewPewTactical.com, Mar. 4, 2018, Eric Hung, [online], [site visited Jun. 7, 2018]. <URL: <https://www.pewpewtactical.com/featureless-ar-15-rifle/>> (Year: 2018).\*

(Continued)

*Primary Examiner* — T Chase Nelson  
*Assistant Examiner* — Jonathan J. Han

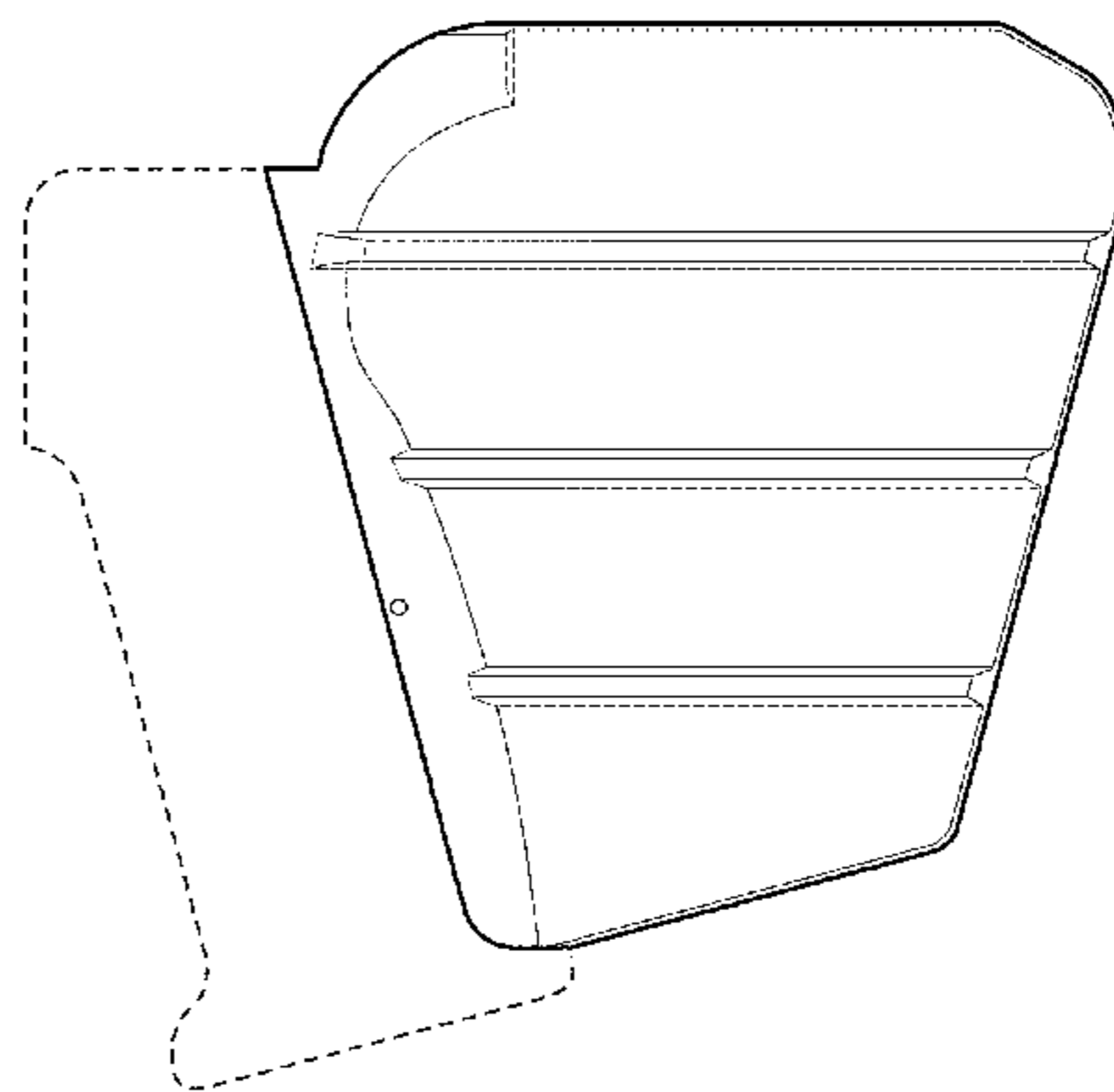
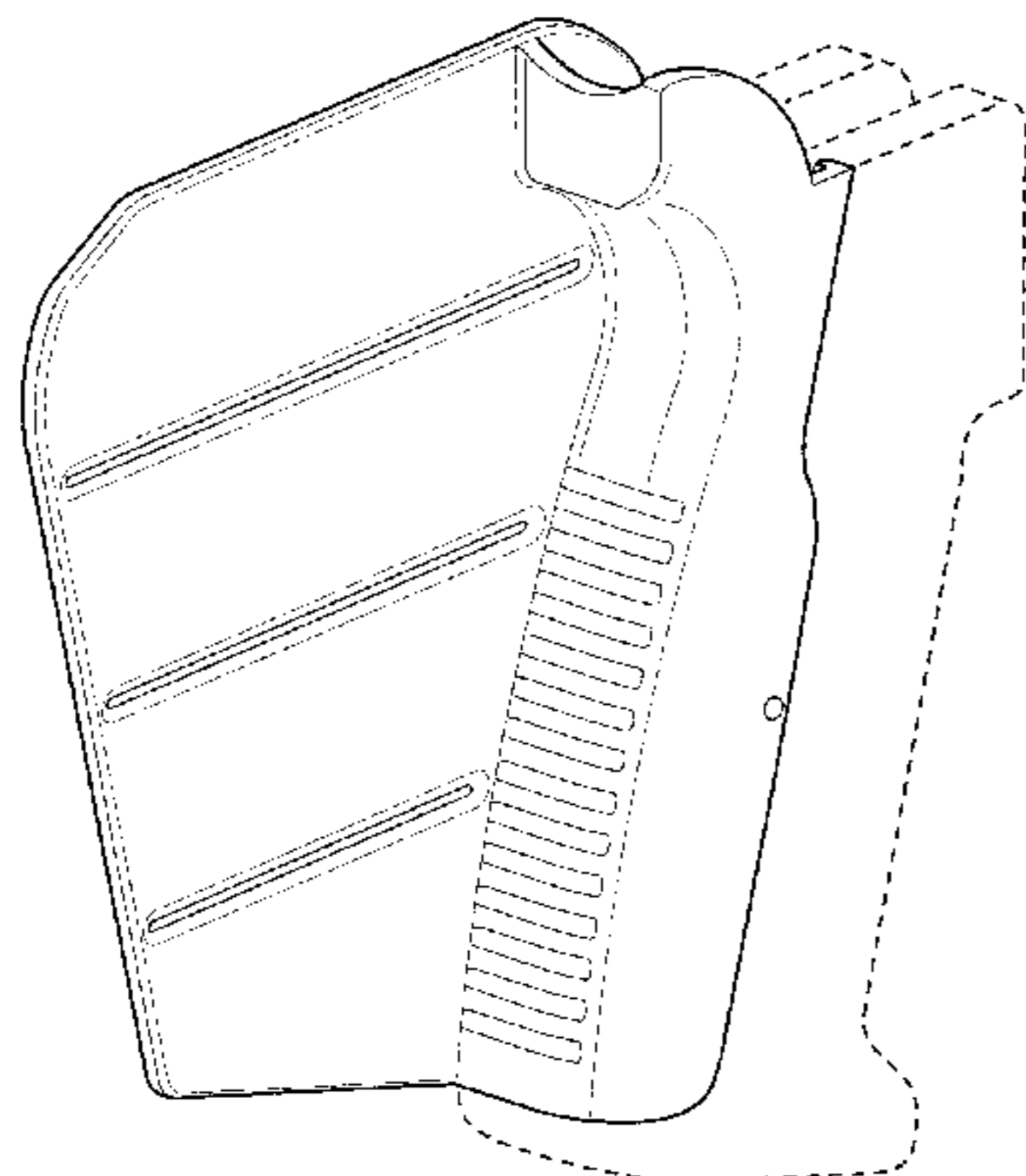
(57) **CLAIM**

The ornamental design for a featureless backstrap for a grip for firearms, as shown and described.

**DESCRIPTION**

FIG. 1 is a perspective view of a featureless backstrap of the invention, attached to a grip in broken lines;  
FIG. 2 is a top view thereof;  
FIG. 3 is a bottom view thereof;  
FIG. 4 is a side view thereof;  
FIG. 5 is another side view thereof; and,  
FIG. 6 is a back end view thereof.  
The broken lines used to show the unclaimed environment is for illustration purposes only and form no part of the claimed design.

**1 Claim, 6 Drawing Sheets**



(56)

References Cited

U.S. PATENT DOCUMENTS

3,685,194 A \* 8/1972 Coon ..... F41C 23/10  
42/72  
3,740,886 A \* 6/1973 Canon ..... F41A 23/02  
42/72  
D231,828 S \* 6/1974 Canon ..... 42/71.01  
4,271,623 A \* 6/1981 Beretta ..... F41C 23/12  
42/71.02  
4,291,482 A \* 9/1981 Bresan ..... F41C 23/14  
42/72  
5,092,070 A \* 3/1992 Perkins ..... F41C 23/12  
42/71.02  
5,231,237 A 7/1993 Cupp  
6,345,461 B1 2/2002 Constant et al.  
6,510,639 B2 1/2003 McMoore  
6,523,296 B1 2/2003 Constant et al.  
6,651,371 B2 \* 11/2003 Fitzpatrick ..... F41C 23/04  
42/71.01  
7,143,538 B2 12/2006 LaFleur  
7,191,556 B2 3/2007 Pikielny  
7,506,469 B2 3/2009 Poulin et al.  
D600,309 S 9/2009 Fitzpatrick et al.  
D600,310 S 9/2009 Fitzpatrick et al.  
7,748,153 B2 7/2010 Beretta  
7,805,876 B1 10/2010 Danielson et al.  
7,827,719 B2 11/2010 McGarry  
8,151,504 B1 4/2012 Aiston  
8,156,677 B2 4/2012 Glock  
8,438,771 B1 \* 5/2013 Boone ..... F41C 23/14  
42/72  
8,490,311 B2 7/2013 Hogue  
D692,517 S \* 10/2013 Faifer ..... D22/108  
8,561,338 B2 10/2013 Chvala  
D713,486 S \* 9/2014 Acarreta ..... D22/108  
8,869,444 B2 \* 10/2014 Bosco ..... F41C 33/001  
42/71.01  
8,910,407 B2 \* 12/2014 Singh ..... F41C 23/12  
42/71.02  
D722,125 S 2/2015 Zayatz et al.  
D728,724 S \* 5/2015 Bosco ..... D22/108  
D732,135 S \* 6/2015 Webber ..... D22/108

D735,832 S \* 8/2015 Fitzpatrick ..... D22/108  
D740,910 S \* 10/2015 Hines ..... D22/108  
D742,986 S 11/2015 Wart, Jr. et al.  
D764,622 S \* 8/2016 Bosco ..... D22/108  
D769,399 S \* 10/2016 Lam ..... D22/108  
D771,765 S \* 11/2016 Ewer ..... D22/108  
D774,618 S \* 12/2016 Bosco ..... D22/108  
D780,279 S \* 2/2017 Bosco ..... D22/108  
9,631,893 B2 \* 4/2017 Gilmer ..... F41C 27/22  
9,651,335 B2 \* 5/2017 DenBleyker ..... F41C 23/12  
9,869,524 B2 \* 1/2018 Bubits ..... F41C 27/20  
2002/0007579 A1 \* 1/2002 Bubits ..... F41C 23/12  
42/72  
2007/0256347 A1 11/2007 Fitzpatrick et al.  
2010/0071244 A1 3/2010 Fitzpatrick et al.  
2013/0139426 A1 6/2013 Baxley  
2014/0053447 A1 \* 2/2014 Singh ..... F41C 23/06  
42/71.02  
2014/0144061 A1 \* 5/2014 Bosco ..... F41C 33/001  
42/94

OTHER PUBLICATIONS

Strike Industries Megafin Featureless Grip, OpticsPlanet.com, [online], [site visited Jun. 7, 2018]. <URL: <https://www.opticsplanet.com/strike-industries-megafin-featureless-grip.html>> (Year: 2018).\*

California Featureless AR Grip, AimSportsInc.com, [online], [site visited Jun. 7, 2018]. <URL: <http://www.aimsportsinc.com/california-featureless-ar-grip-1/>> (Year: 2018).\*

California Featureless AK Grip, AimSports.com, [online], [site visited Jun. 7, 2018]. <URL: <http://www.aimsportsinc.com/california-featureless-ak-grip-1/>> (Year: 2018).\*

AR Featureless Grip—AK Featureless Grip—California Featureless—Aimsportsinc, YouTube.com, AIM Sports Inc., Published on Mar. 17, 2017, [online], [site visited Jun. 7, 2018]. <URL: <https://www.youtube.com/watch?v=HSaStvIHMmA>> (Year: 2017).\*

Webpage of Exile Machine for Backfin Finned Backstrap at <http://www.exilemachine.net/shop/backfin-finned-backstrap-for-miad-gen-1-1-right-hand-101244.html>, date of publication unknown.

Webpage of Fingrips.com at <http://www.fingrips.com/>, date of publication unknown.

\* cited by examiner

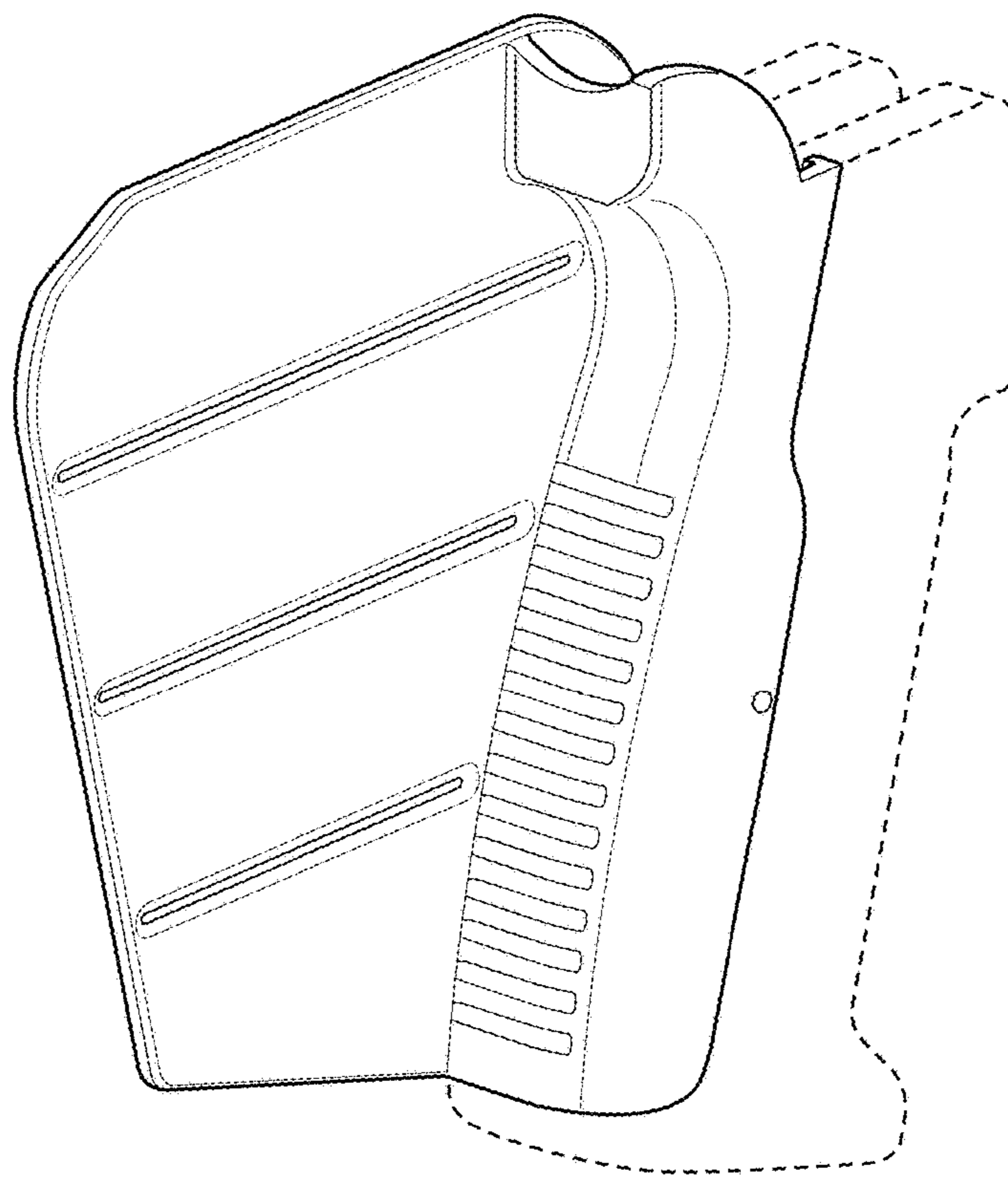


Fig. 1

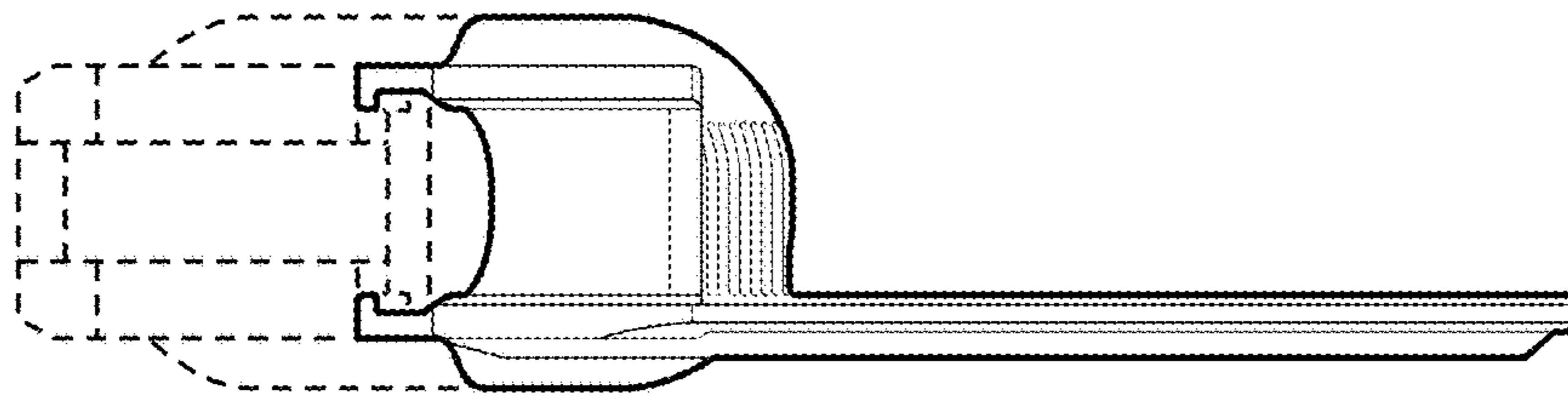


Fig. 2

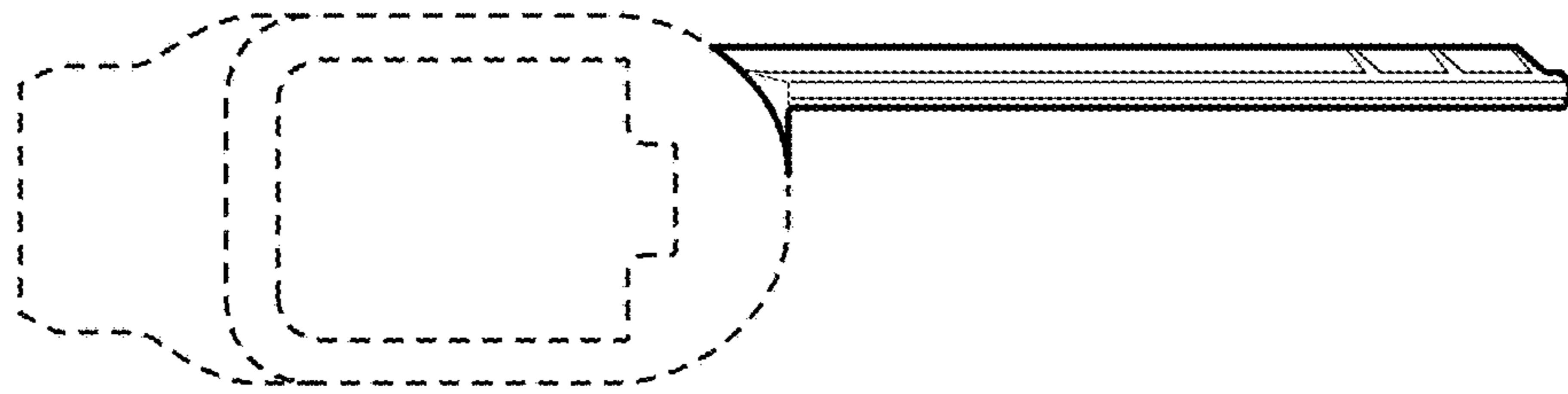


Fig. 3

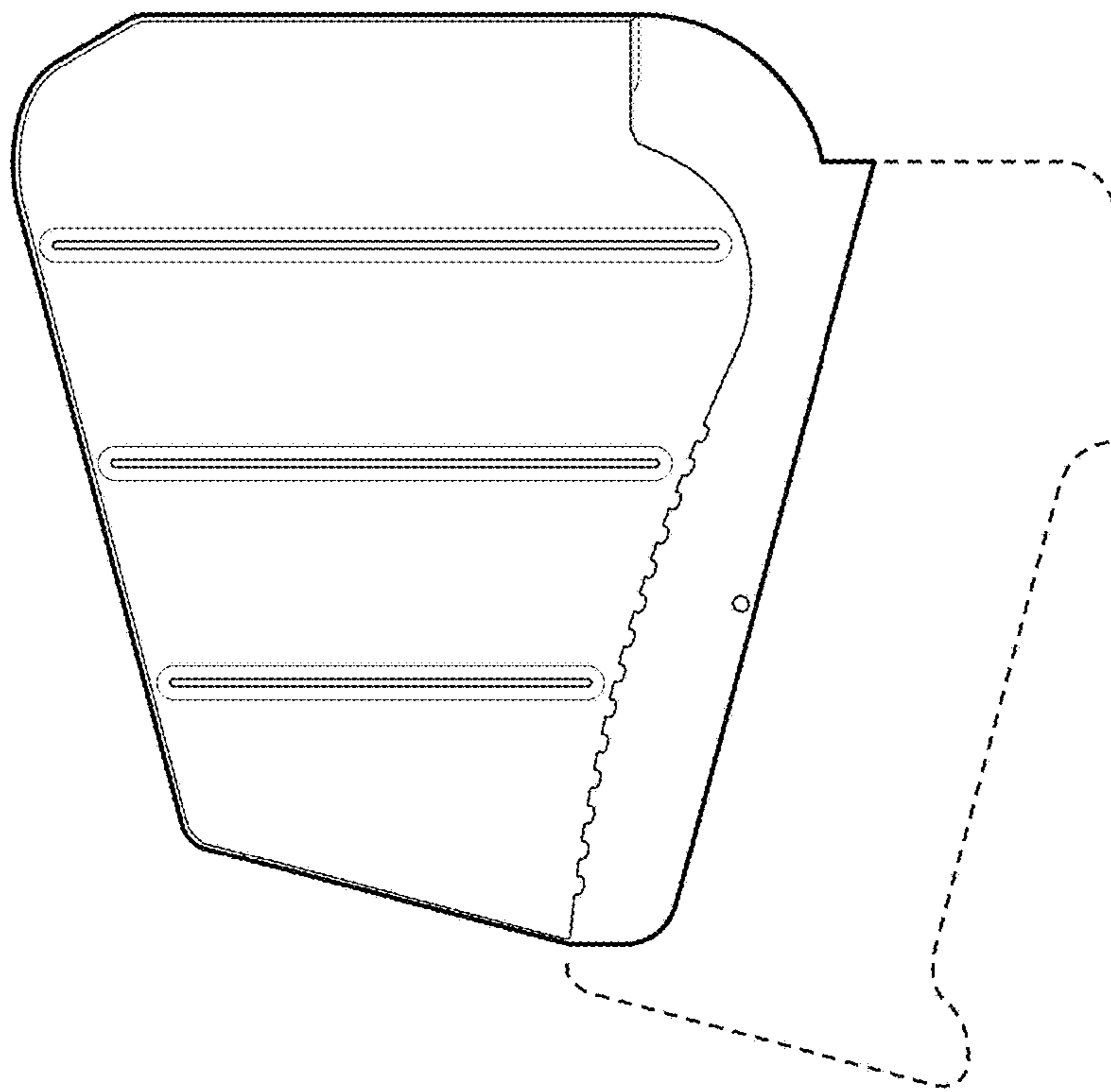


Fig. 4

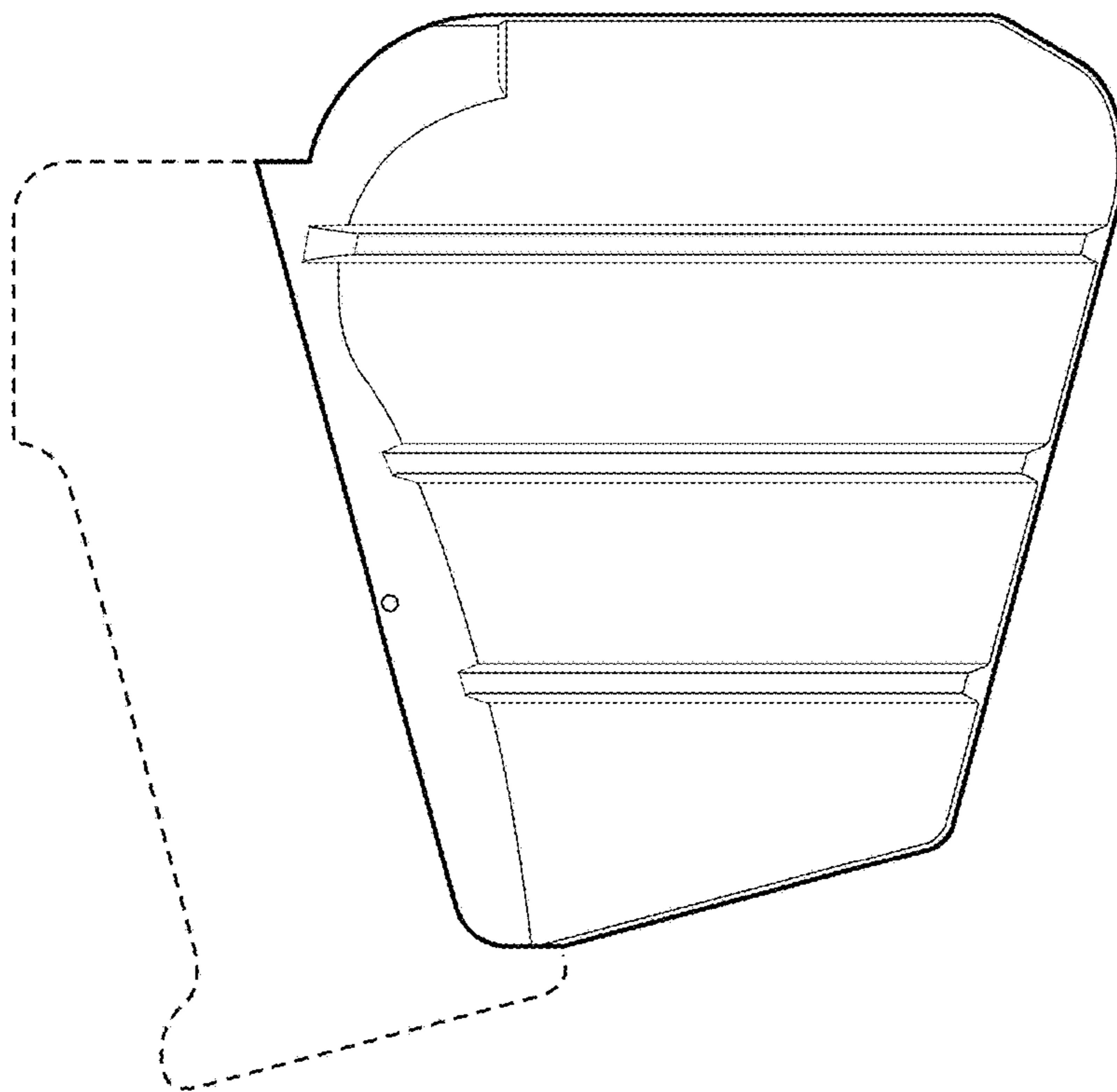


Fig. 5

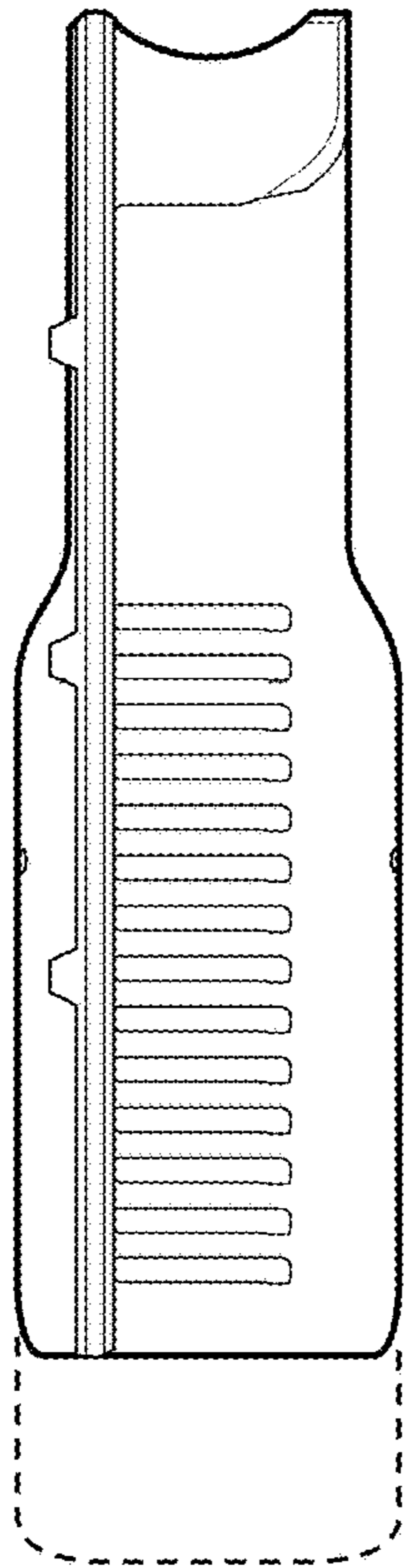


Fig. 6