

US00D840490S

(12) **United States Design Patent**  
**Lynn et al.**

(10) **Patent No.:** **US D840,490 S**  
(45) **Date of Patent:** **\*\* Feb. 12, 2019**

(54) **GUN BARREL REST WITH PISTOL RACK**

**DESCRIPTION**

(71) Applicant: **Stack-On Products Co.**, Wauconda, IL (US)

(72) Inventors: **John W. Lynn**, Libertyville, IL (US); **Richard Glogovsky**, Libertyville, IL (US); **John Hetzel**, Vernon Hills, IL (US); **Ryan Lundberg**, Park Ridge, IL (US)

(73) Assignee: **Stack-On Products Co.**, Wauconda, IL (US)

(\*\*) Term: **15 Years**

(21) Appl. No.: **29/591,108**

(22) Filed: **Jan. 17, 2017**

(51) **LOC (11) Cl.** ..... **22-01**

(52) **U.S. Cl.**  
USPC ..... **D22/108**

(58) **Field of Classification Search**  
USPC ..... D22/108-110, 114, 199; D6/368, 552  
CPC ... F41C 27/00; B60R 7/14; B60R 5/04; B60R 11/00; F41A 23/10; F41A 23/18; F41A 17/44; F41A 23/16; F41A 29/00  
See application file for complete search history.

(56) **References Cited**

U.S. PATENT DOCUMENTS

D810,547 S *	2/2018	Lynn	.....	D8/367
D810,548 S *	2/2018	Lynn	.....	D8/367
2004/0178240 A1 *	9/2004	Bauer	.....	A45F 5/02 224/268

\* cited by examiner

*Primary Examiner* — Michael A. Pratt

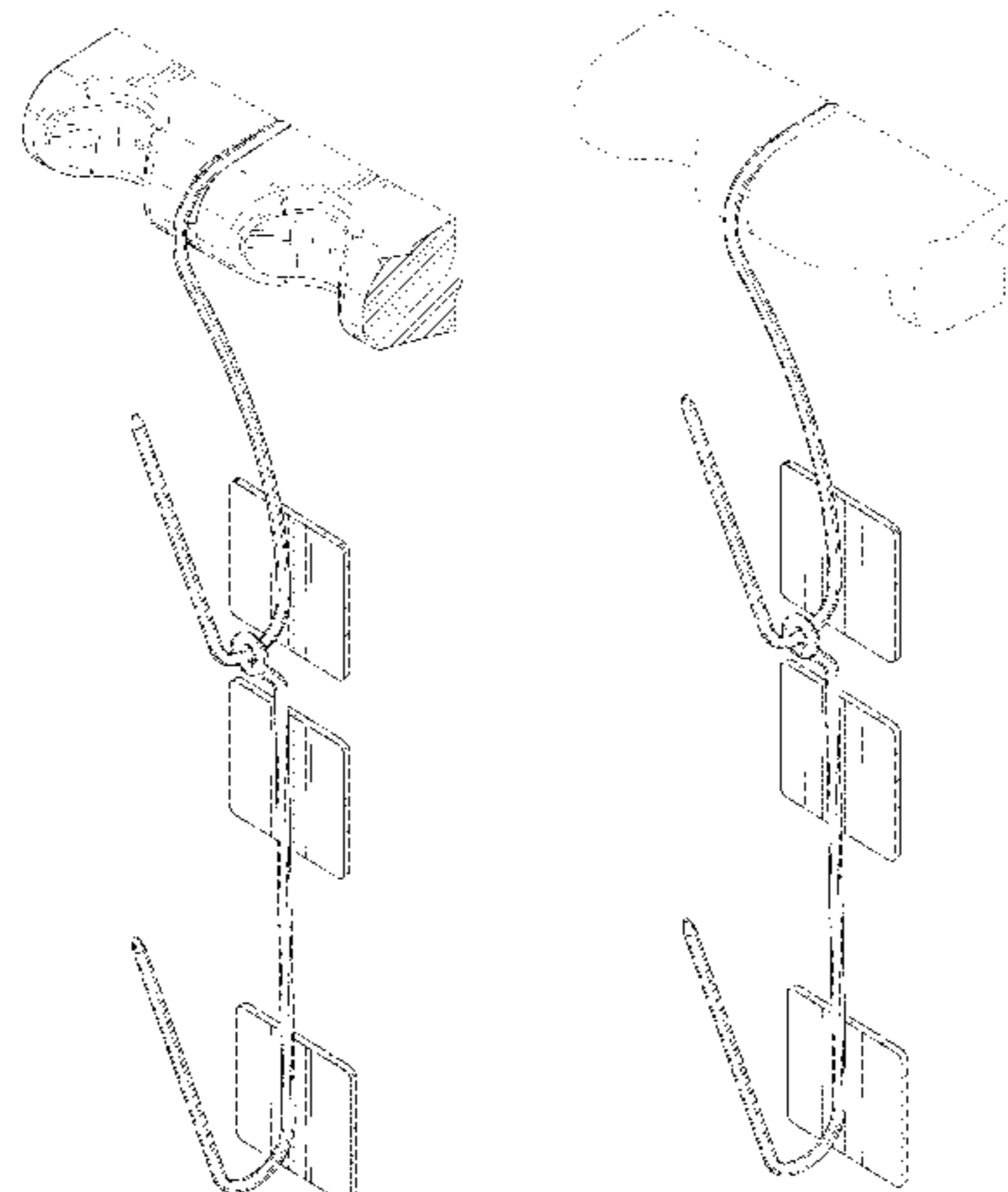
(74) *Attorney, Agent, or Firm* — Knobbe, Martens, Olson & Bear, LLP

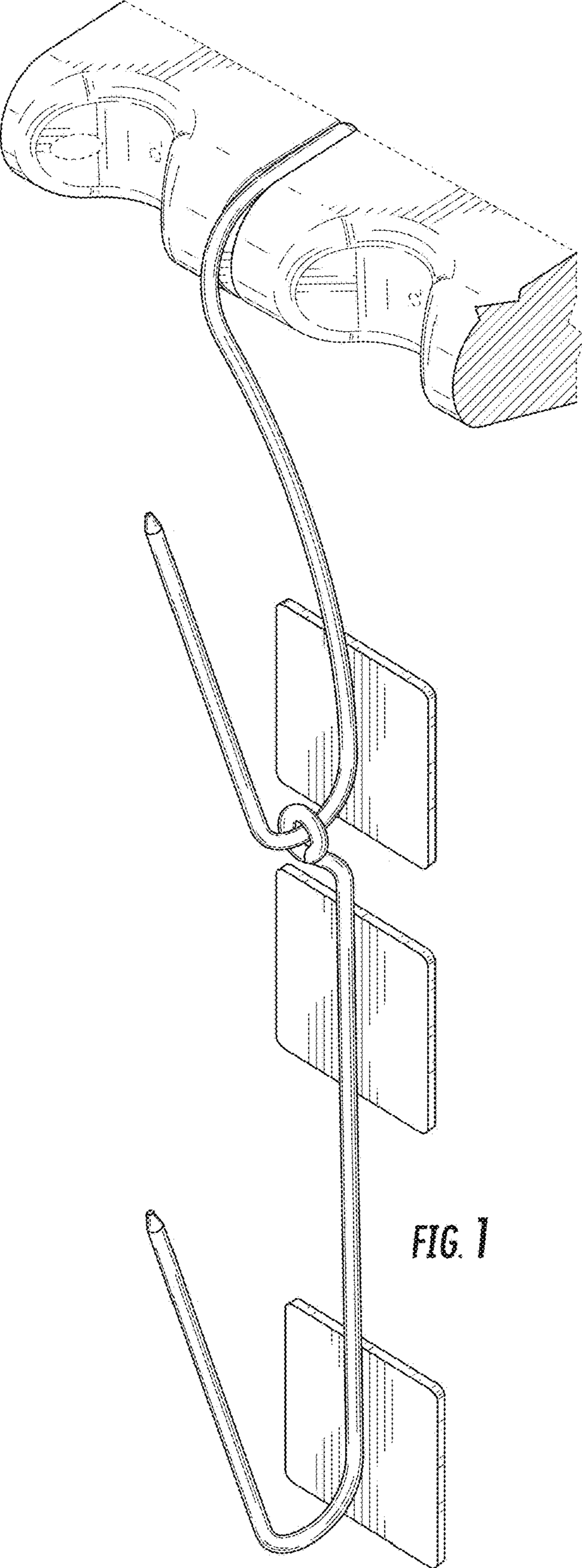
(57) **CLAIM**

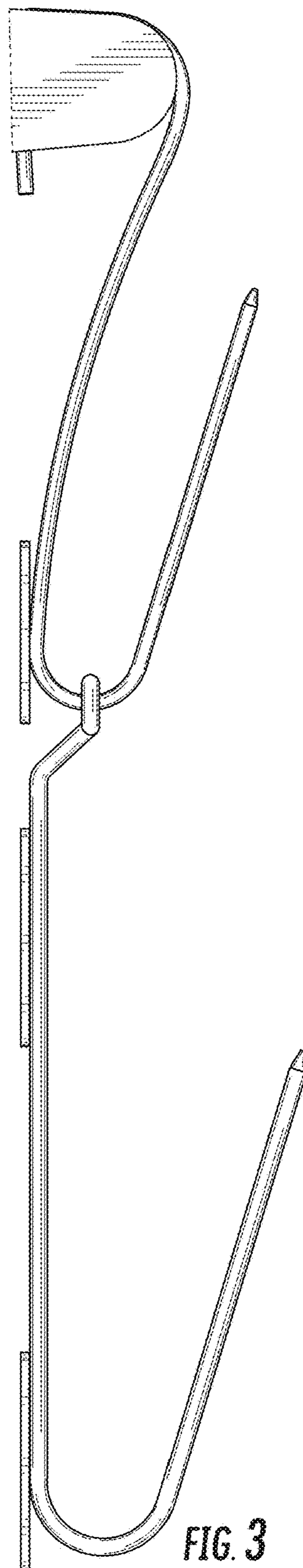
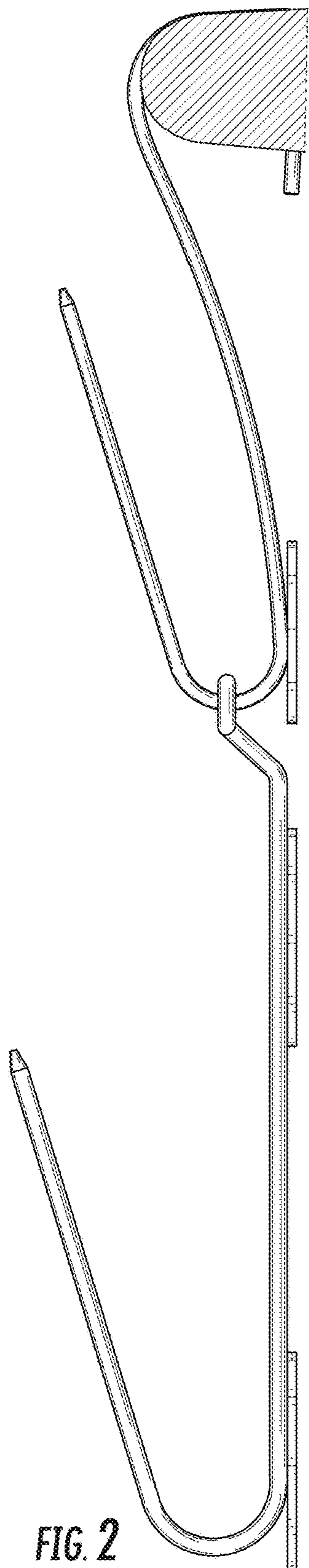
The ornamental design for a gun barrel rest with pistol rack, as shown and described.

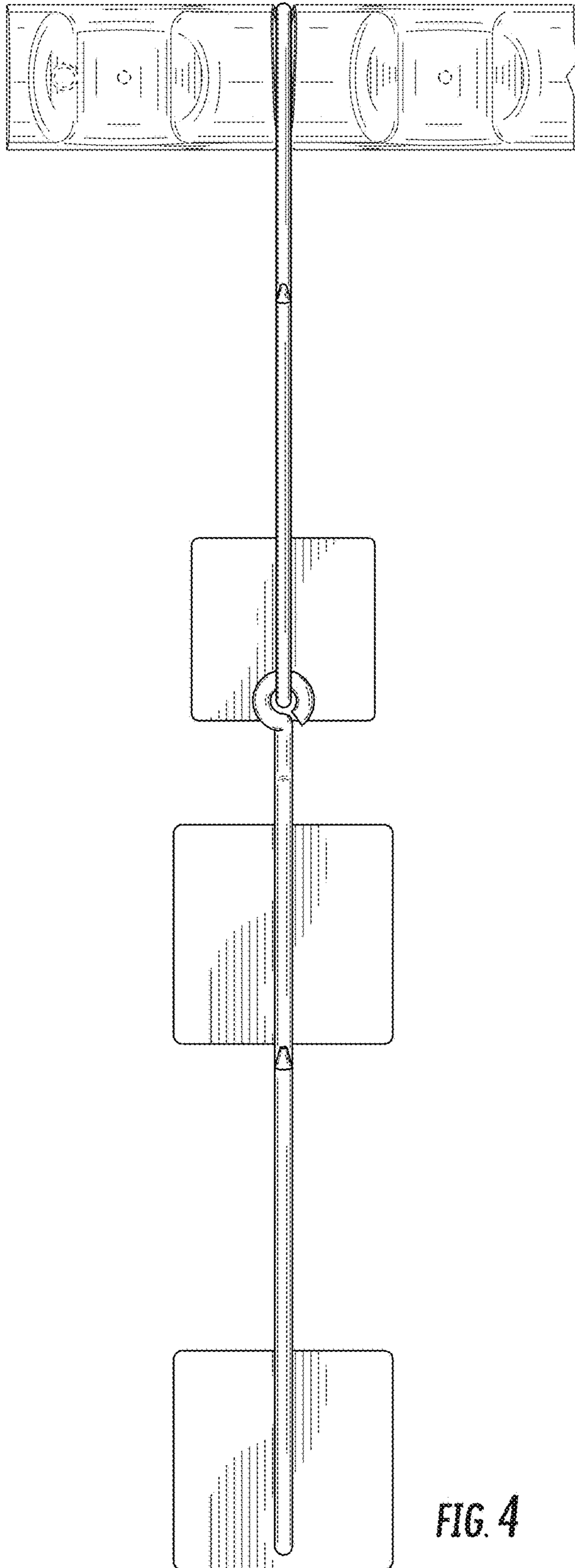
FIG. 1 is a front perspective view of the gun barrel rest with pistol rack of the present invention;  
 FIG. 2 is a right side elevation view of the gun barrel rest with pistol rack of the present invention;  
 FIG. 3 is a left side elevation view of the gun barrel rest with pistol rack of the present invention;  
 FIG. 4 is a front elevation plan view of the gun barrel rest with pistol rack of the present invention;  
 FIG. 5 is a rear elevation plan view of the gun barrel rest with pistol rack of the present invention;  
 FIG. 6 is a top plan view of the gun barrel rest with pistol rack of the present invention;  
 FIG. 7 is a bottom plan view of the gun barrel rest with pistol rack of the present invention;  
 FIG. 8 is a front perspective view of a second embodiment of the gun barrel rest with pistol rack of the present invention;  
 FIG. 9 is a right side elevation view of a second embodiment of the gun barrel rest with pistol rack of the present invention;  
 FIG. 10 is a left side elevation view of a second embodiment of the gun barrel rest with pistol rack of the present invention;  
 FIG. 11 is a front elevation plan view of a second embodiment of the gun barrel rest with pistol rack of the present invention;  
 FIG. 12 is a rear elevation plan view of a second embodiment of the gun barrel rest with pistol rack of the present invention;  
 FIG. 13 is a top plan view of a second embodiment of the gun barrel rest with pistol rack of the present invention; and, FIG. 14 is a bottom plan view of a second embodiment of the gun barrel rest with pistol rack of the present invention. The portions of the gun barrel rest with pistol rack shown in broken lines form no part of the claimed design.

**1 Claim, 10 Drawing Sheets**









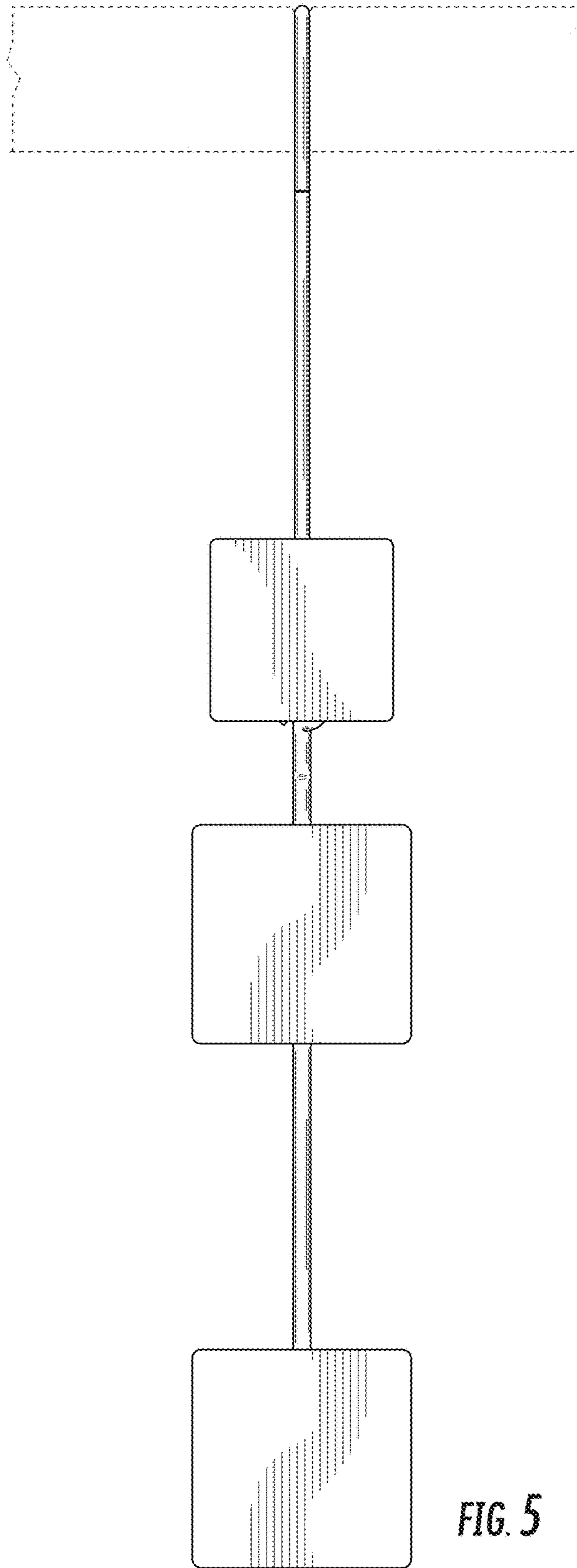


FIG. 5

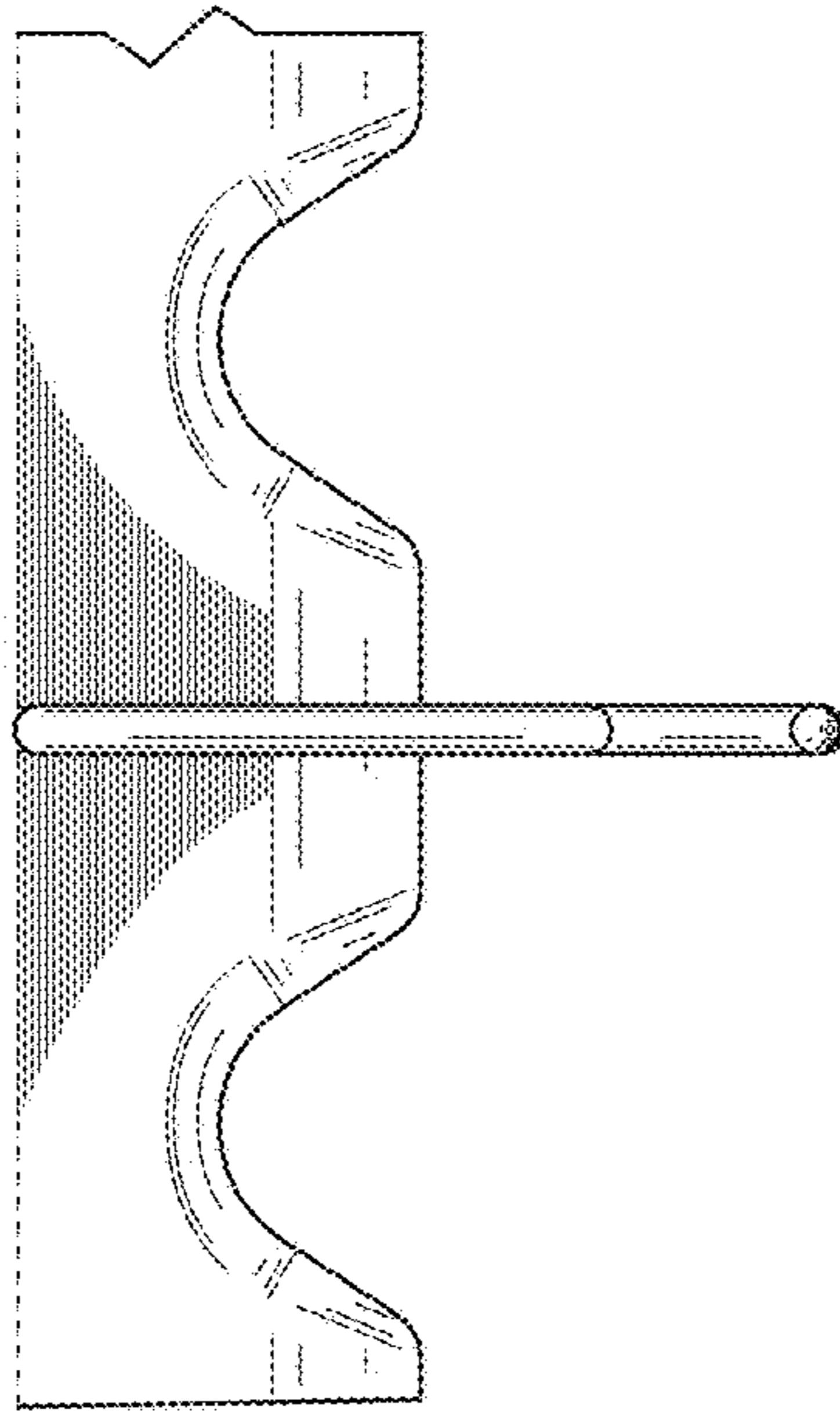


FIG. 6

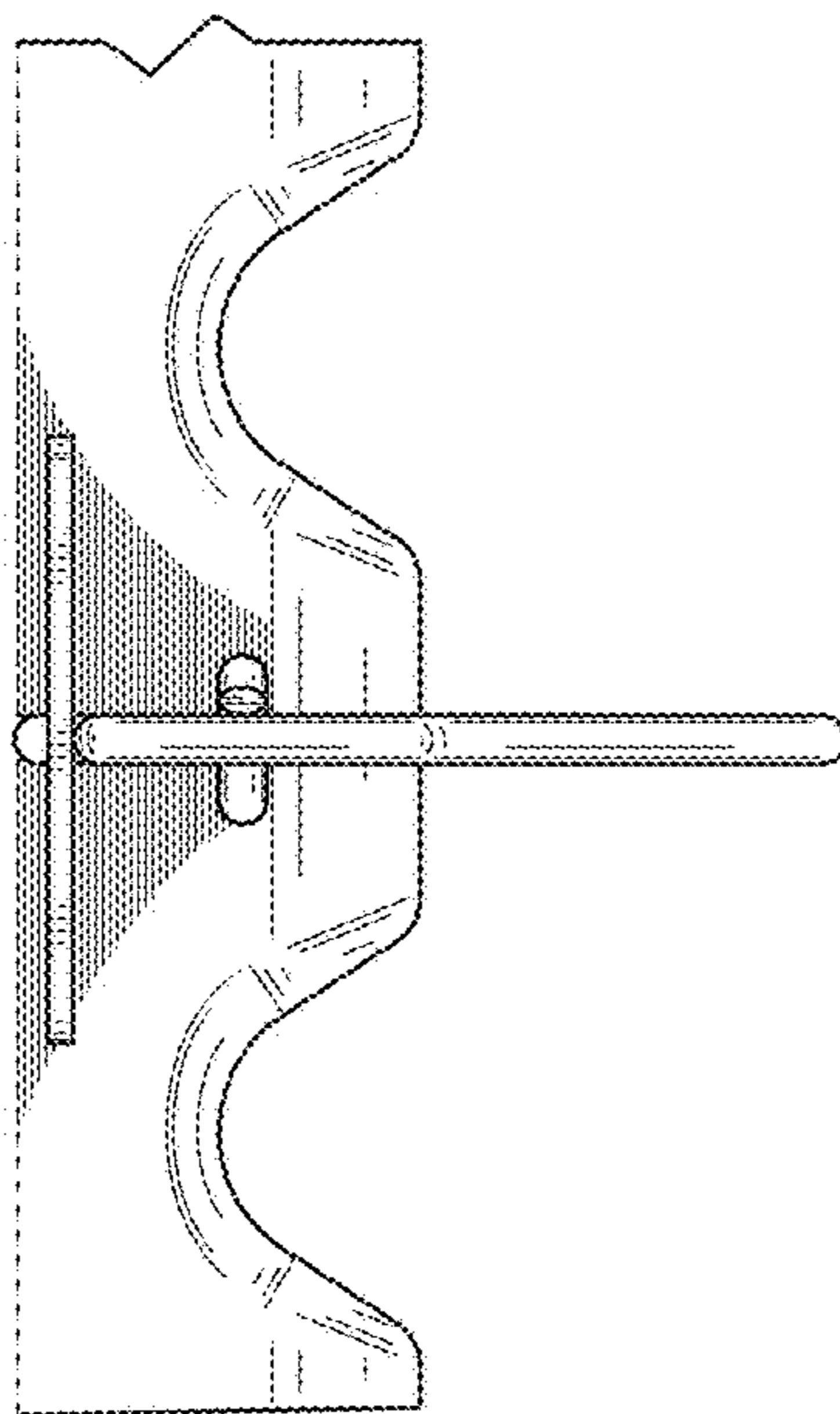


FIG. 7

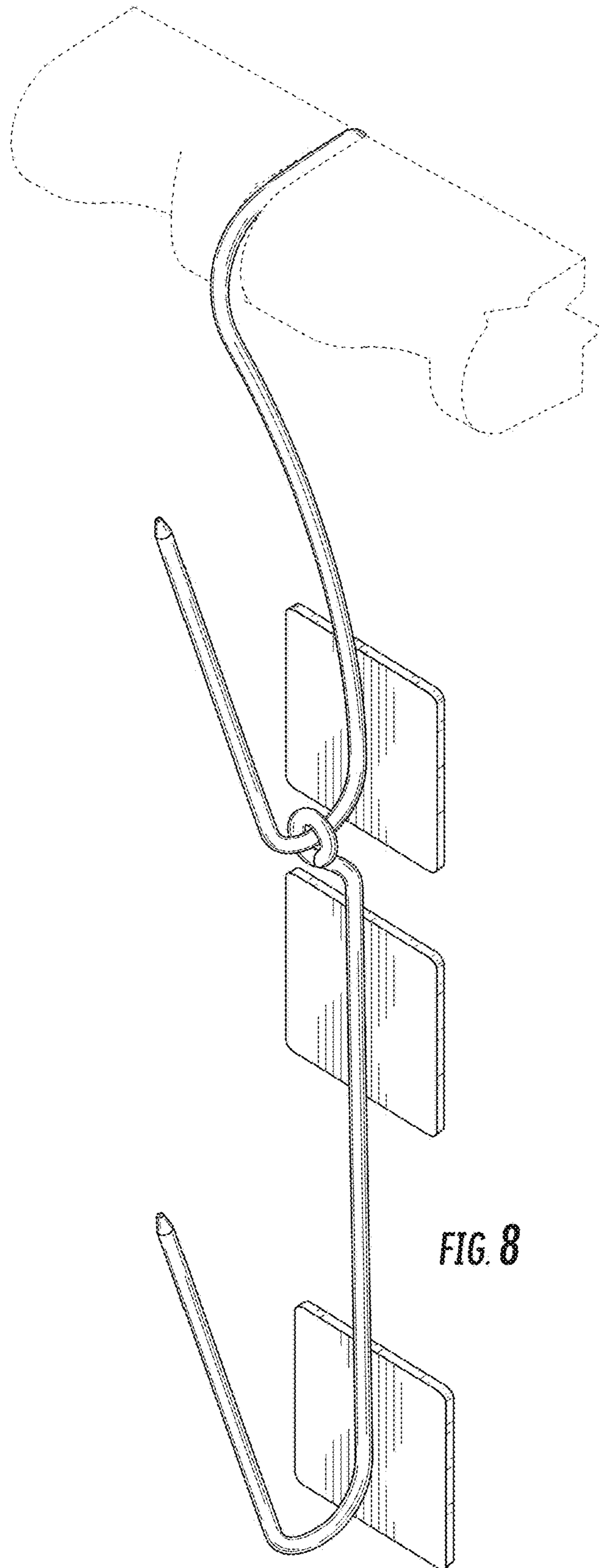
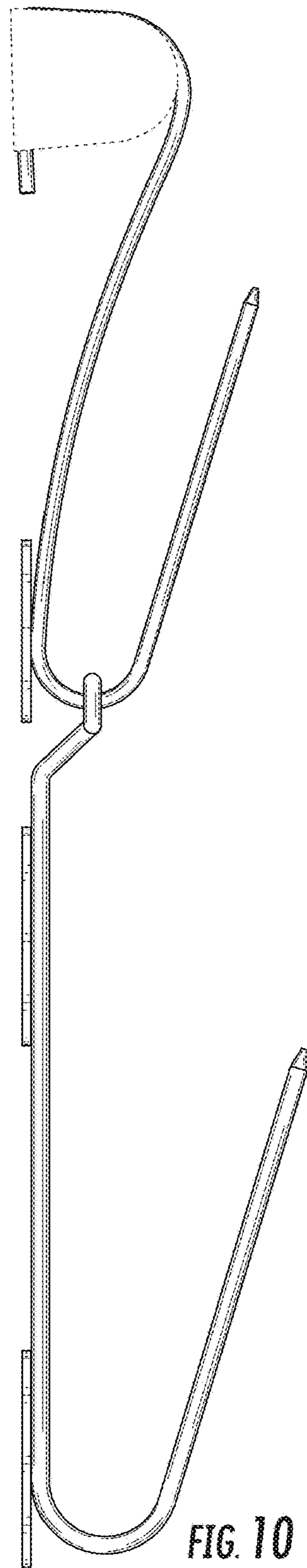
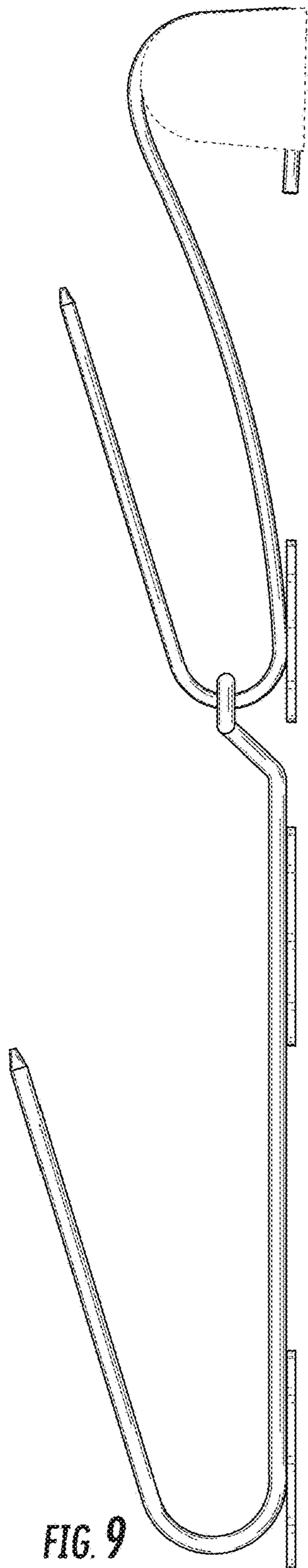
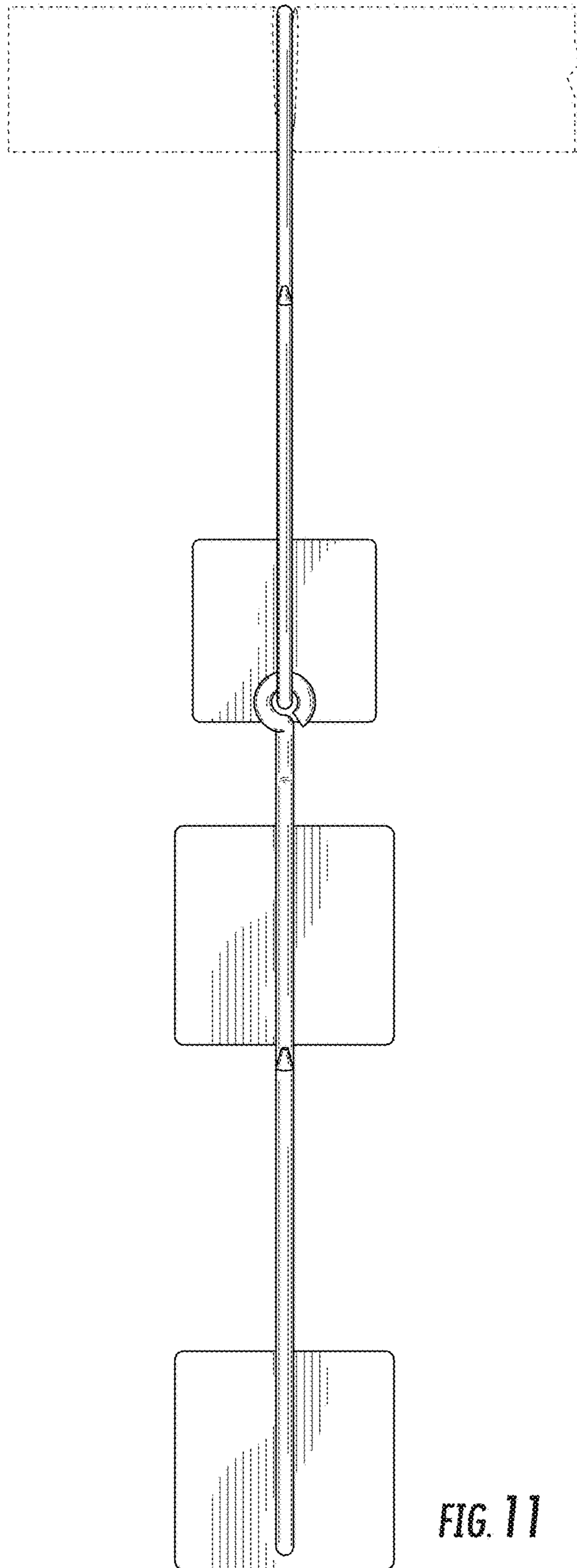


FIG. 8







**FIG. 11**

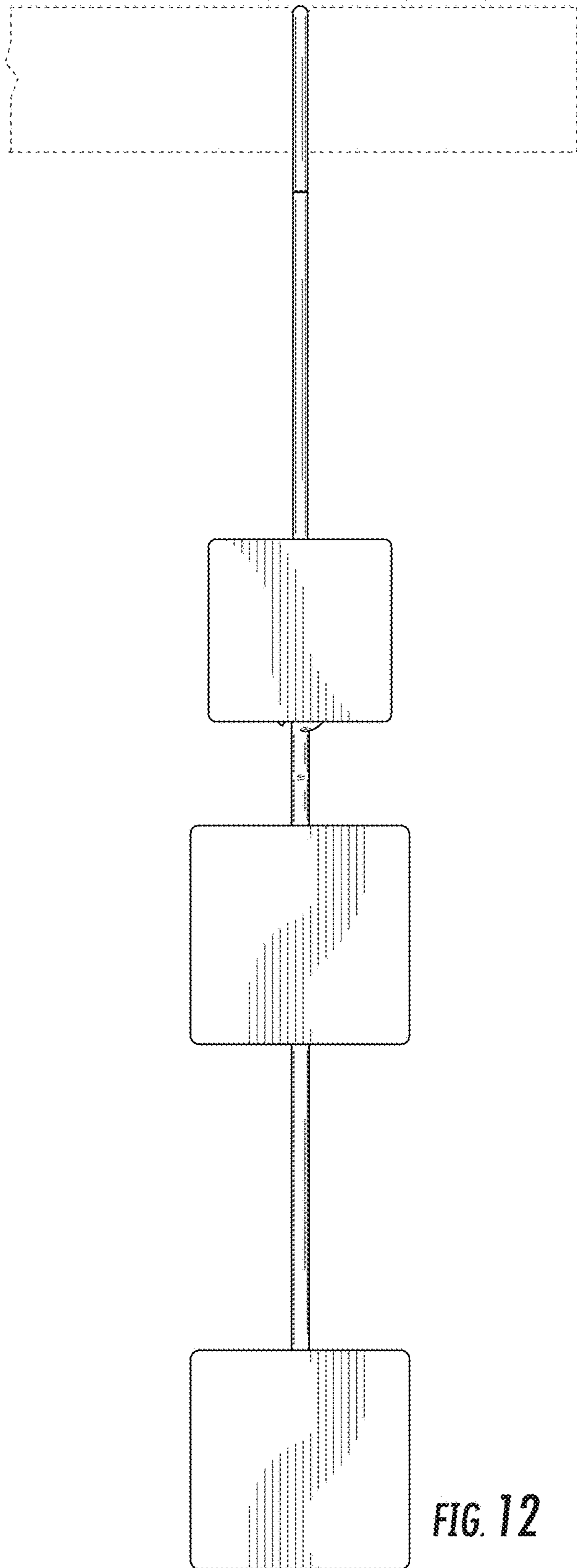


FIG. 12

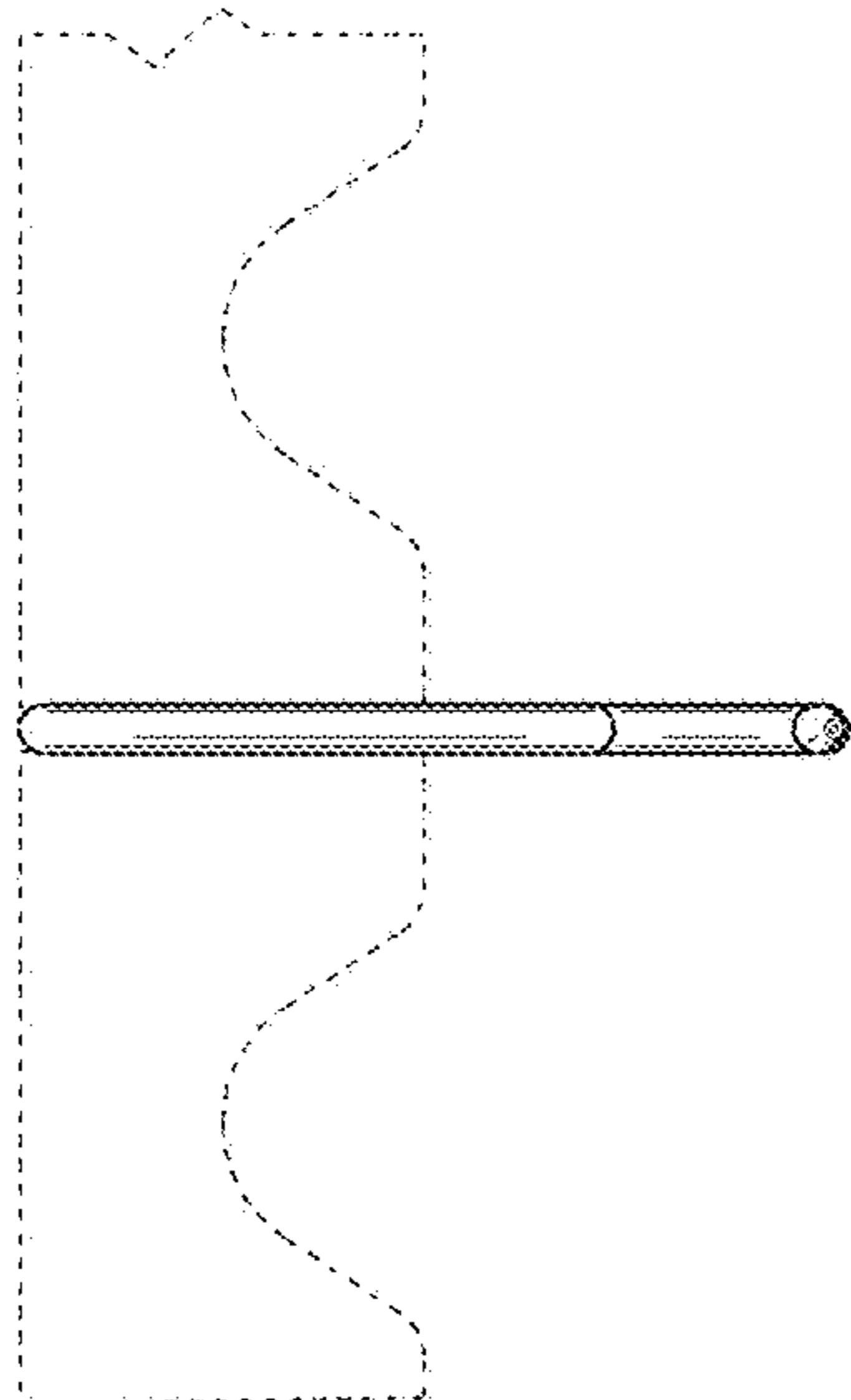


FIG. 13

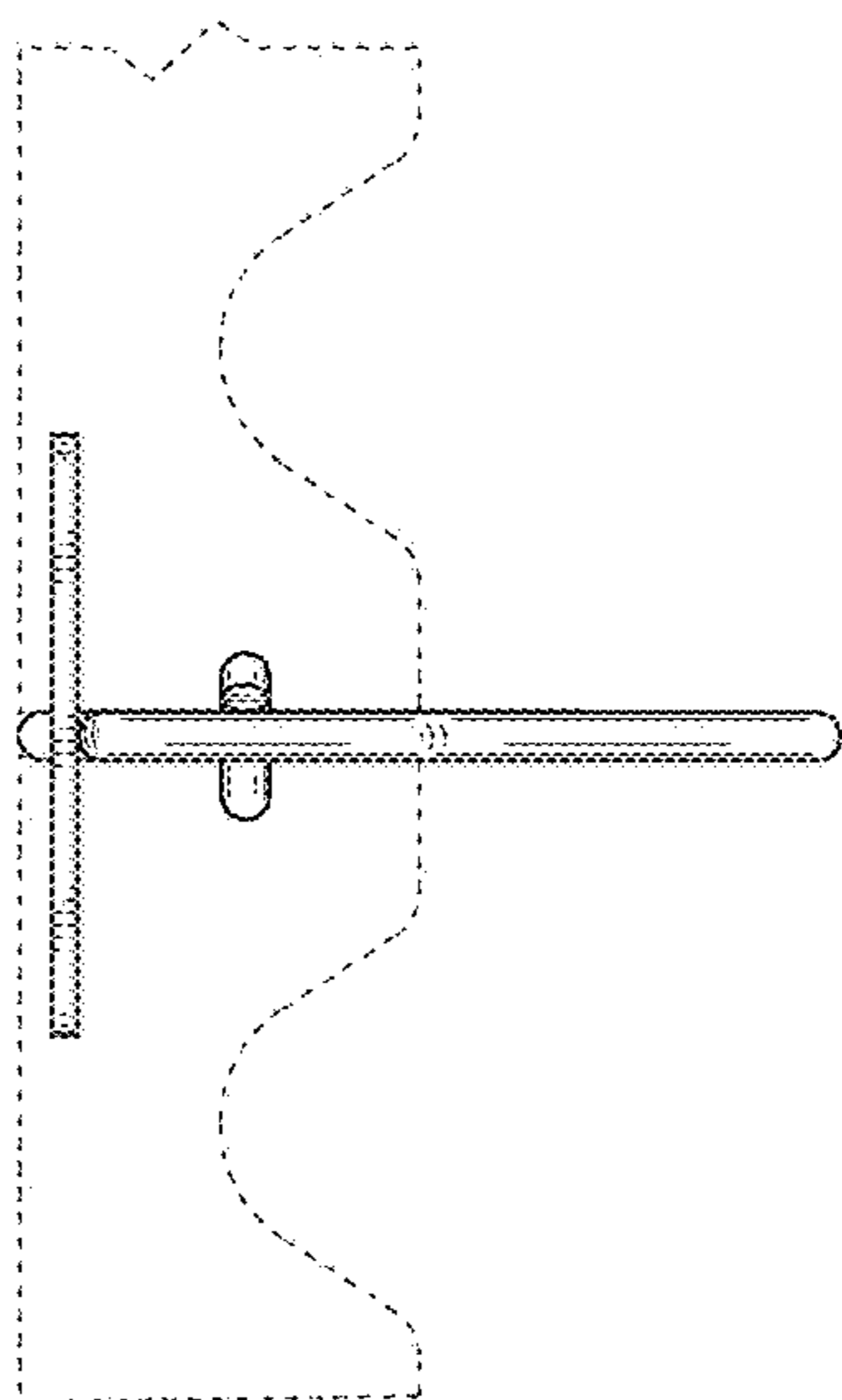


FIG. 14