

US00D840489S

(12) **United States Design Patent** (10) **Patent No.:** **US D840,489 S**
Greenwood (45) **Date of Patent:** **** Feb. 12, 2019**

- (54) **ARROW INSERT**
- (71) Applicant: **ALDILA GOLF CORP.**, Poway, CA (US)
- (72) Inventor: **Stephen Greenwood**, Brea, CA (US)
- (73) Assignee: **Aldila Golf Corporation**, Carlsbad, CA (US)
- (**) Term: **15 Years**
- (21) Appl. No.: **29/599,307**
- (22) Filed: **Mar. 31, 2017**
- (51) **LOC (11) Cl.** **22-01**
- (52) **U.S. Cl.**
USPC **D22/107; D22/115**
- (58) **Field of Classification Search**
USPC D22/100, 101, 102, 103, 104, 105, 106, D22/107, 108, 109, 110, 111, 199; D21/567, 570, 571, 573, 574, 575, 746
CPC F41B 5/14; F41B 5/00; F41C 27/00; F41C 23/14; F41C 23/06; F41C 3/00; F41C 7/00; F41C 23/20; F41C 23/08; F41C 23/10; F41G 11/003; F41G 1/18; F41G 1/38; F41G 1/545
See application file for complete search history.

- D581,006 S * 11/2008 Smith D22/107
- 8,057,330 B2 * 11/2011 Blosser F42B 6/04 473/582
- D658,737 S * 5/2012 Giles D22/107
- D659,218 S * 5/2012 Palomaki D22/107
- D674,864 S * 1/2013 Ward D22/115
- D701,585 S * 3/2014 Marshall, Jr. F42B 6/06 D22/108
- D766,396 S * 9/2016 Scull D22/108
- D792,549 S * 7/2017 McKillips D22/108
- 2007/0082767 A1 * 4/2007 Smith F42B 6/04 473/582
- 2009/0163308 A1 * 6/2009 Odabachian F42B 6/08 473/582

(Continued)

OTHER PUBLICATIONS

<https://www.amazon.com/Victory-Archery-Grain-Inserts-Black/dp/B01EU88518>—Retrieved on Feb. 24, 2018.*

(Continued)

Primary Examiner — Manpreet S Matharu
Assistant Examiner — Mojtaba Tehrani
(74) *Attorney, Agent, or Firm* — Joseph Sherinsky

(57) **CLAIM**

The ornamental design for an arrow insert, as shown and described.

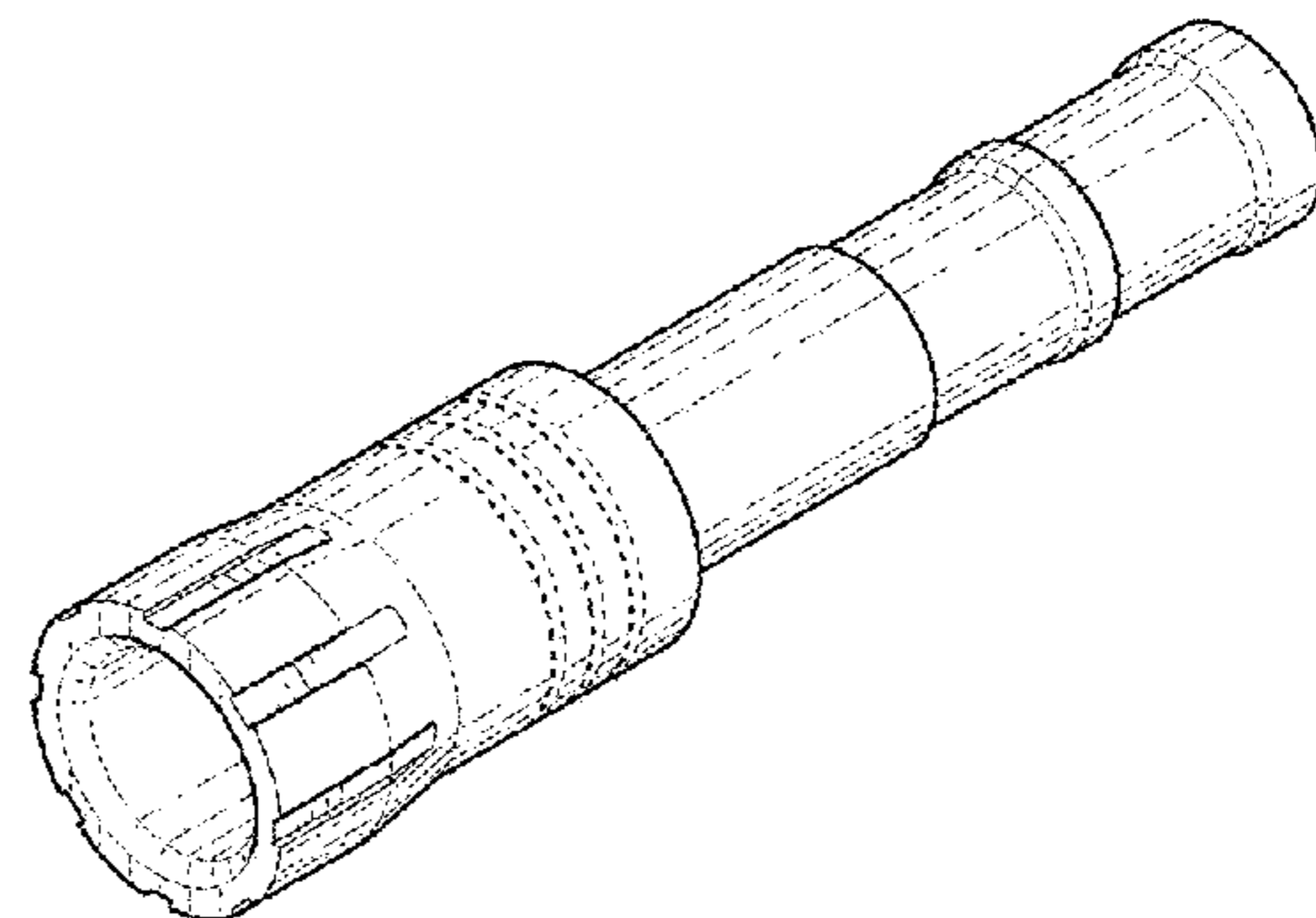
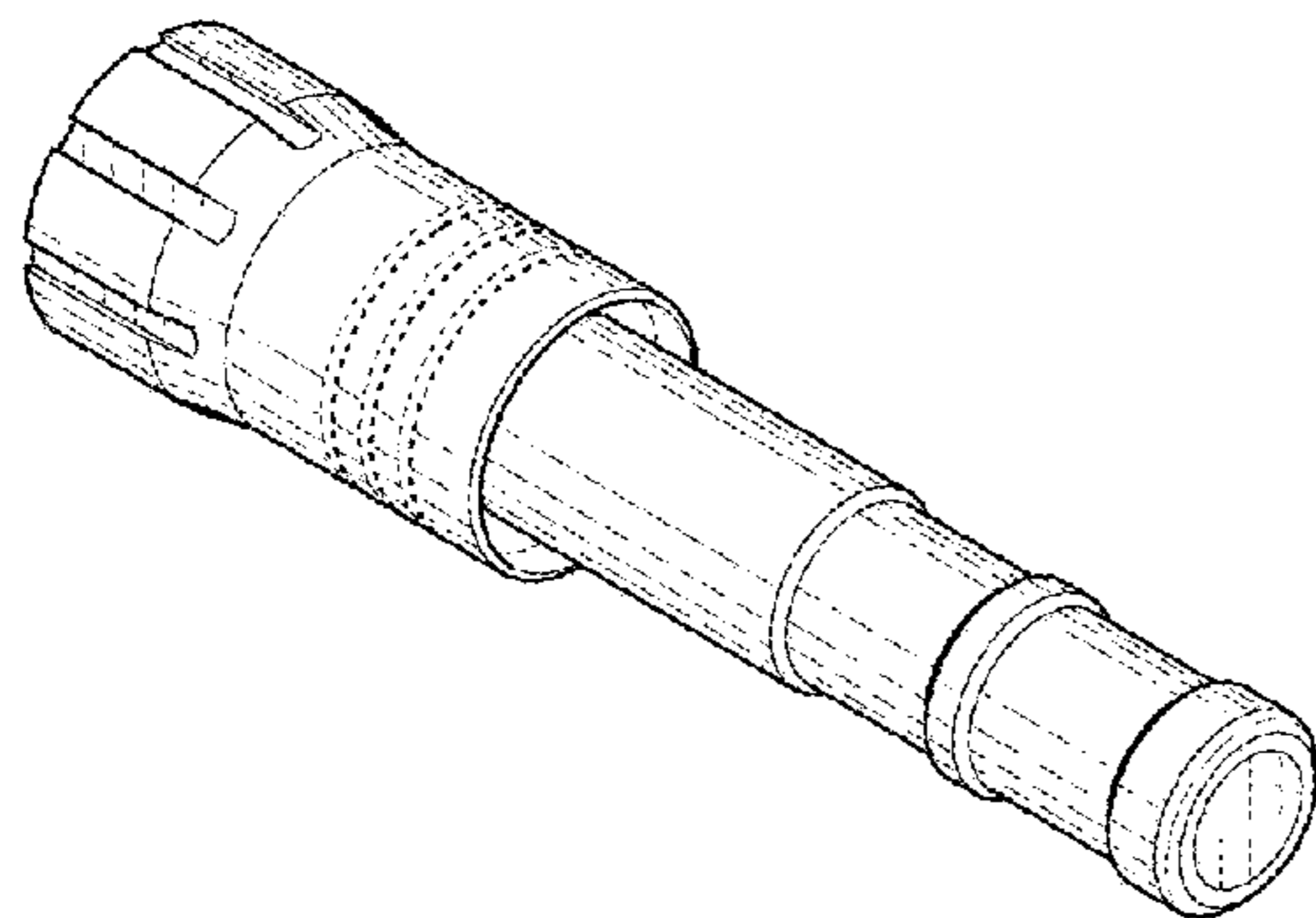
DESCRIPTION

FIG. 1 is a front perspective view of an arrow insert, showing my new design;
FIG. 2 is a bottom plan view thereof;
FIG. 3 is a top plan view thereof;
FIG. 4 is a side elevation view thereof; other sides being identical thereto; and,
FIG. 5 is a bottom perspective view thereof.
The broken lines in the figures represent the unclaimed portion of the design only and form no part of the claim.

1 Claim, 3 Drawing Sheets

(56) **References Cited**
U.S. PATENT DOCUMENTS

- D244,448 S * 5/1977 Bonine D22/115
- 4,943,067 A * 7/1990 Saunders F42B 6/04 403/13
- D338,942 S * 8/1993 Giannetti D22/115
- D347,045 S * 5/1994 Tomblin D22/115
- D377,078 S * 12/1996 Coffey D22/100
- D389,220 S * 1/1998 Coffey D22/100
- D392,712 S * 3/1998 Hammans D22/100
- D395,482 S * 6/1998 Coffey D22/100
- D406,300 S * 3/1999 Fitzgerald, Jr. D22/100
- D435,884 S * 1/2001 Dehaan D21/572



(56)

References Cited

U.S. PATENT DOCUMENTS

2012/0149506 A1* 6/2012 Connolly F42B 6/04
473/578
2016/0010959 A1* 1/2016 Greenwood F42B 6/08
473/585
2017/0138706 A1* 5/2017 Greenwood F42B 6/08

OTHER PUBLICATIONS

<https://www.amazon.com/Gold-Tip-Standard-Inserts-12-Pack/dp/B0009TROI8>—Retrieved on Feb. 24, 2018.*

* cited by examiner

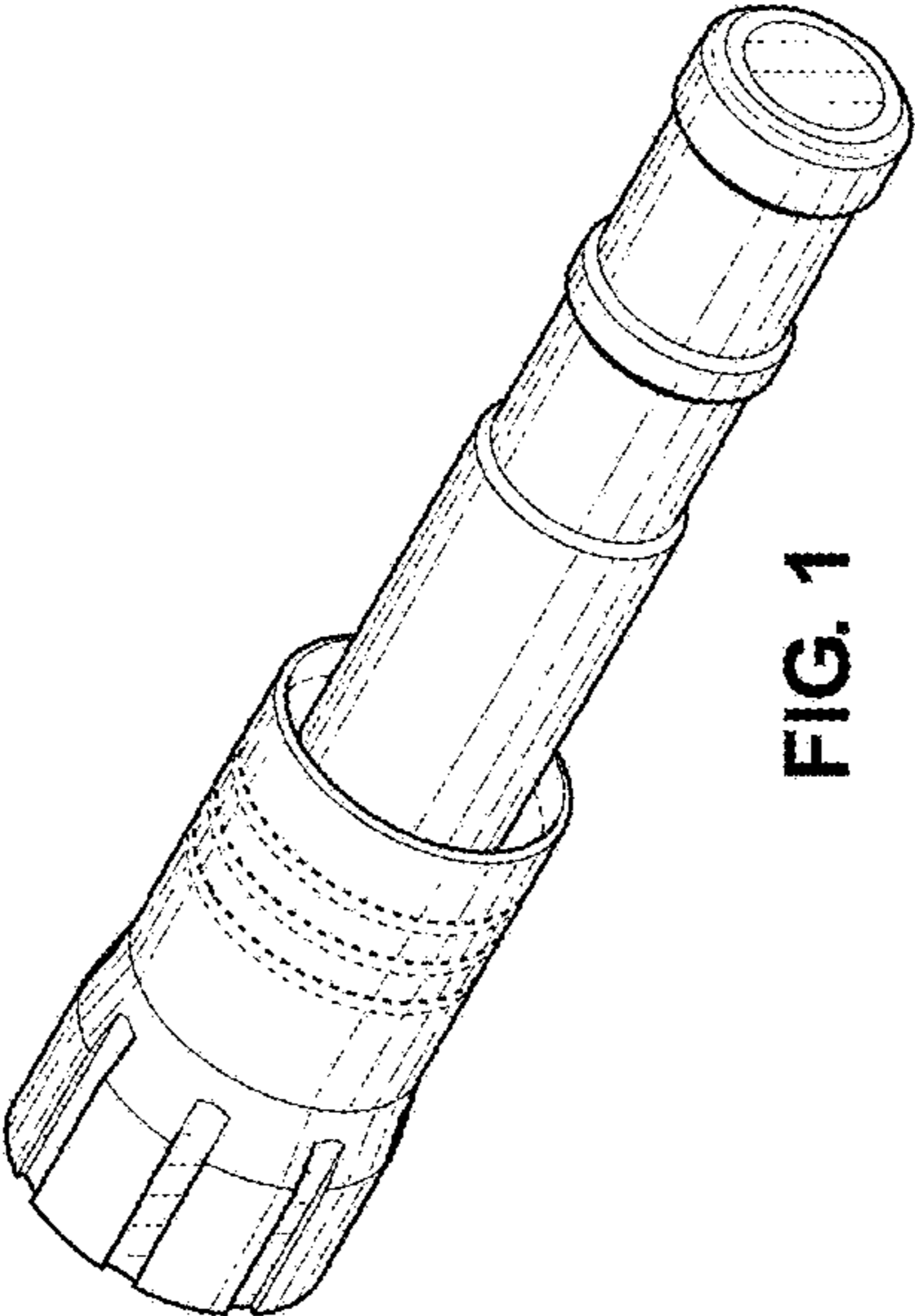


FIG. 1

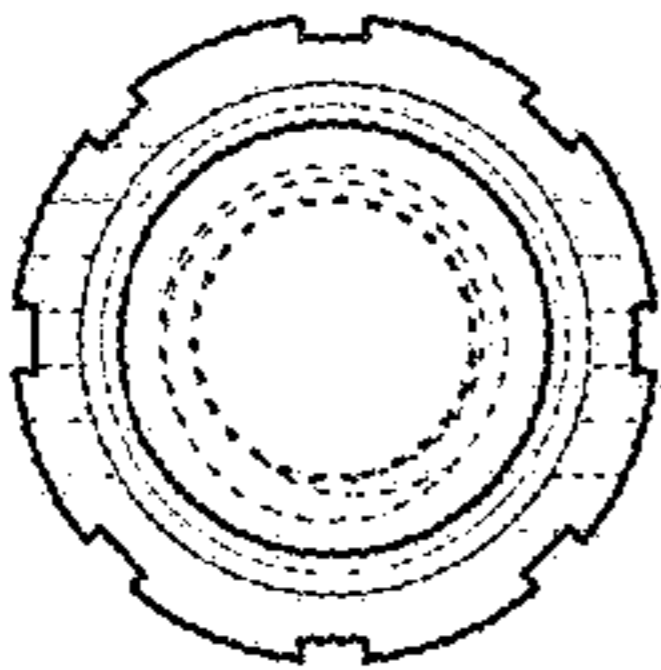


FIG. 2

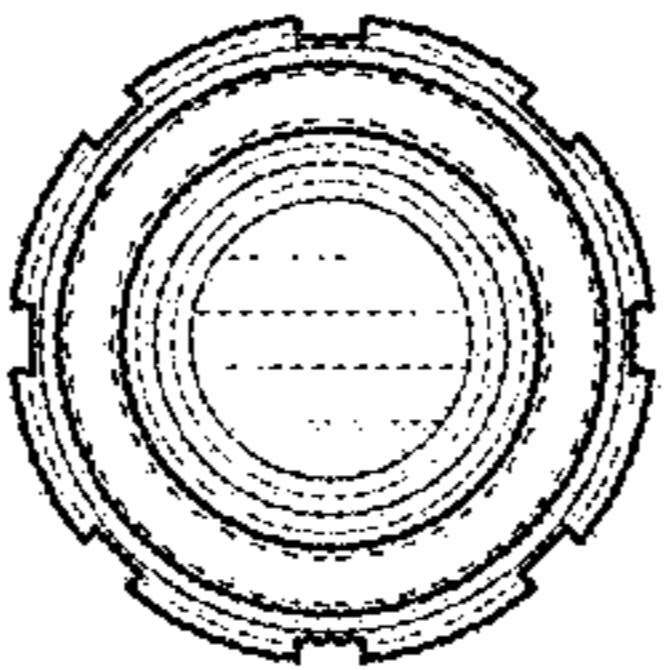


FIG. 3

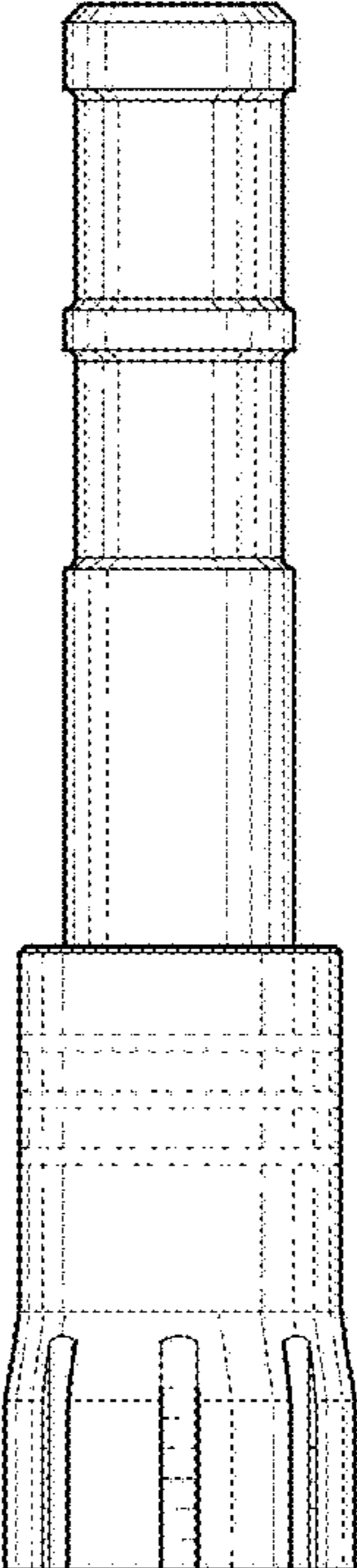


FIG. 4

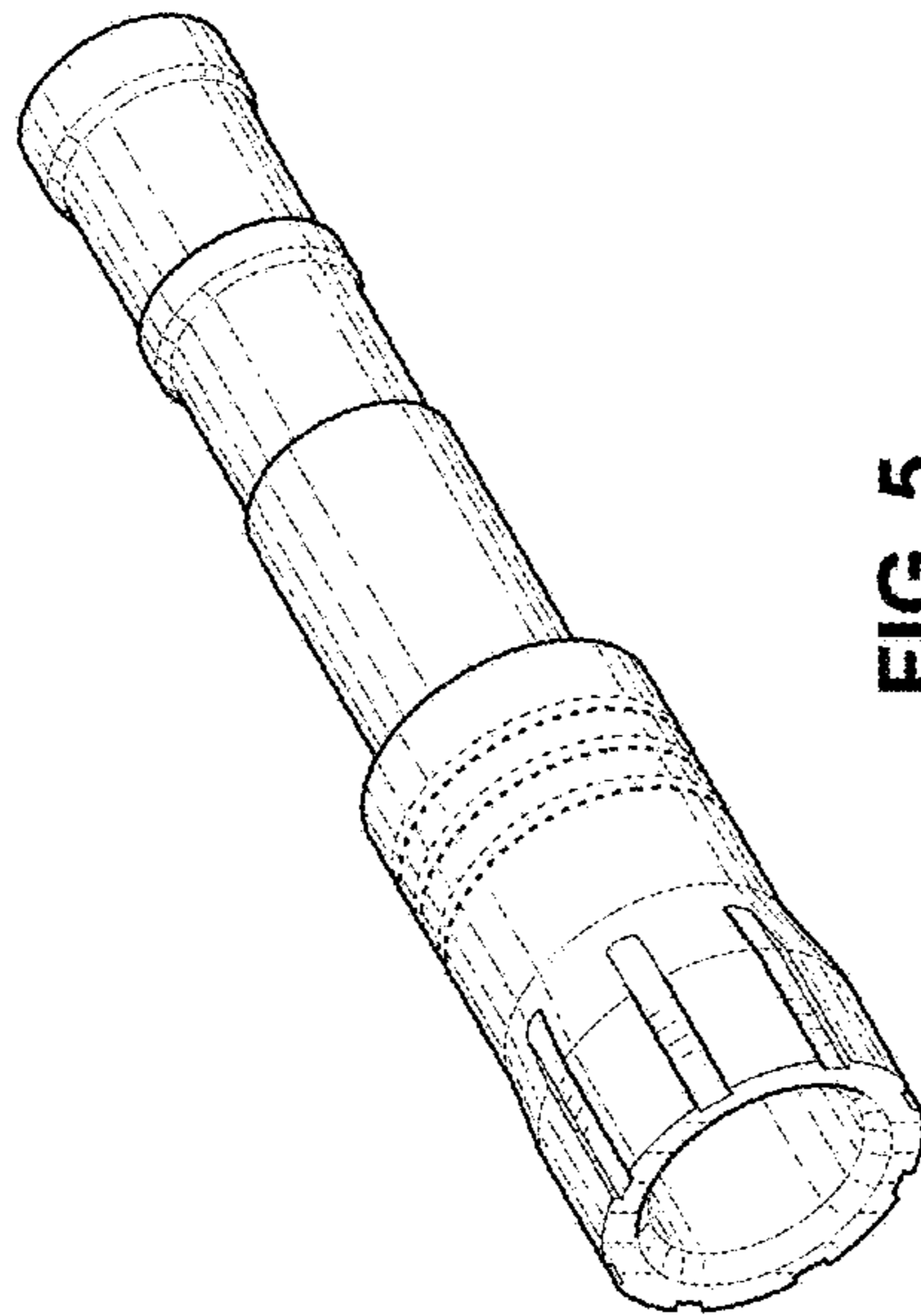


FIG. 5