



US00D840485S

(12) **United States Design Patent** (10) **Patent No.:** **US D840,485 S**
Bosacco (45) **Date of Patent:** **** Feb. 12, 2019**

(54) **RESCUE DEVICE**

(71) Applicant: **Stephen Alexander Bosacco**, Cape
May Court House, NJ (US)

(72) Inventor: **Stephen Alexander Bosacco**, Cape
May Court House, NJ (US)

(**) Term: **15 Years**

(21) Appl. No.: **29/610,263**

(22) Filed: **Jul. 11, 2017**

Related U.S. Application Data

(63) Continuation of application No. 15/266,055, filed on
Sep. 15, 2016.

(51) **LOC (11) Cl.** **21-02**

(52) **U.S. Cl.**
USPC **D21/803; D29/124**

(58) **Field of Classification Search**
USPC D21/769-770, 801, 803, 809; D12/5, 6,
D12/316; D6/392, 595, 596, 601, 604,
D6/605; D29/124

CPC B63B 35/58; B63B 35/73; B63B 35/76;
B63B 35/79; B63B 35/83; B63B 35/02;
B63B 35/56; B63B 35/60; A63G 31/00;
A63H 23/10

See application file for complete search history.

(56) **References Cited**

U.S. PATENT DOCUMENTS

3,553,748 A 1/1971 Ross
D449,719 S * 10/2001 Nylén D21/803

D482,164 S * 11/2003 Millhollin D29/124
7,044,820 B2 5/2006 Ladisa
D559,934 S * 1/2008 Brown D21/803
D576,244 S * 9/2008 Fielding, Jr. D21/803
D592,812 S * 5/2009 Hughes D29/124
D632,022 S * 2/2011 Walton D29/124
D693,893 S * 11/2013 Jandke D21/803
D734,416 S * 7/2015 Scobey, Jr. D21/803
2006/0270290 A1 11/2006 Tellew

* cited by examiner

Primary Examiner — Zenia I Bennett

(74) *Attorney, Agent, or Firm* — Miller, White, Zelano,
Branigan, P.C.

(57) **CLAIM**

The ornamental design for a rescue device, as shown and
described.

DESCRIPTION

FIG. 1 is a top perspective view of the rescue device
showing my new design.

FIG. 2 is a top view thereof.

FIG. 3 is a bottom view thereof.

FIG. 4 is a front view thereof.

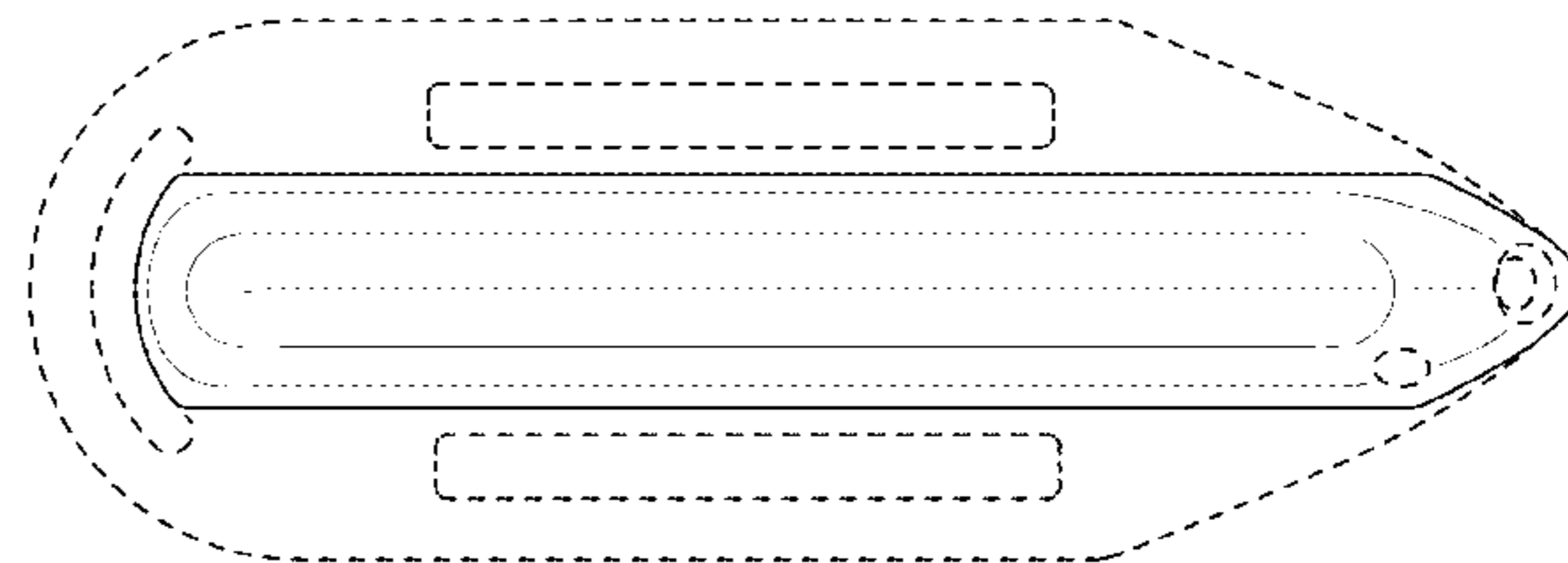
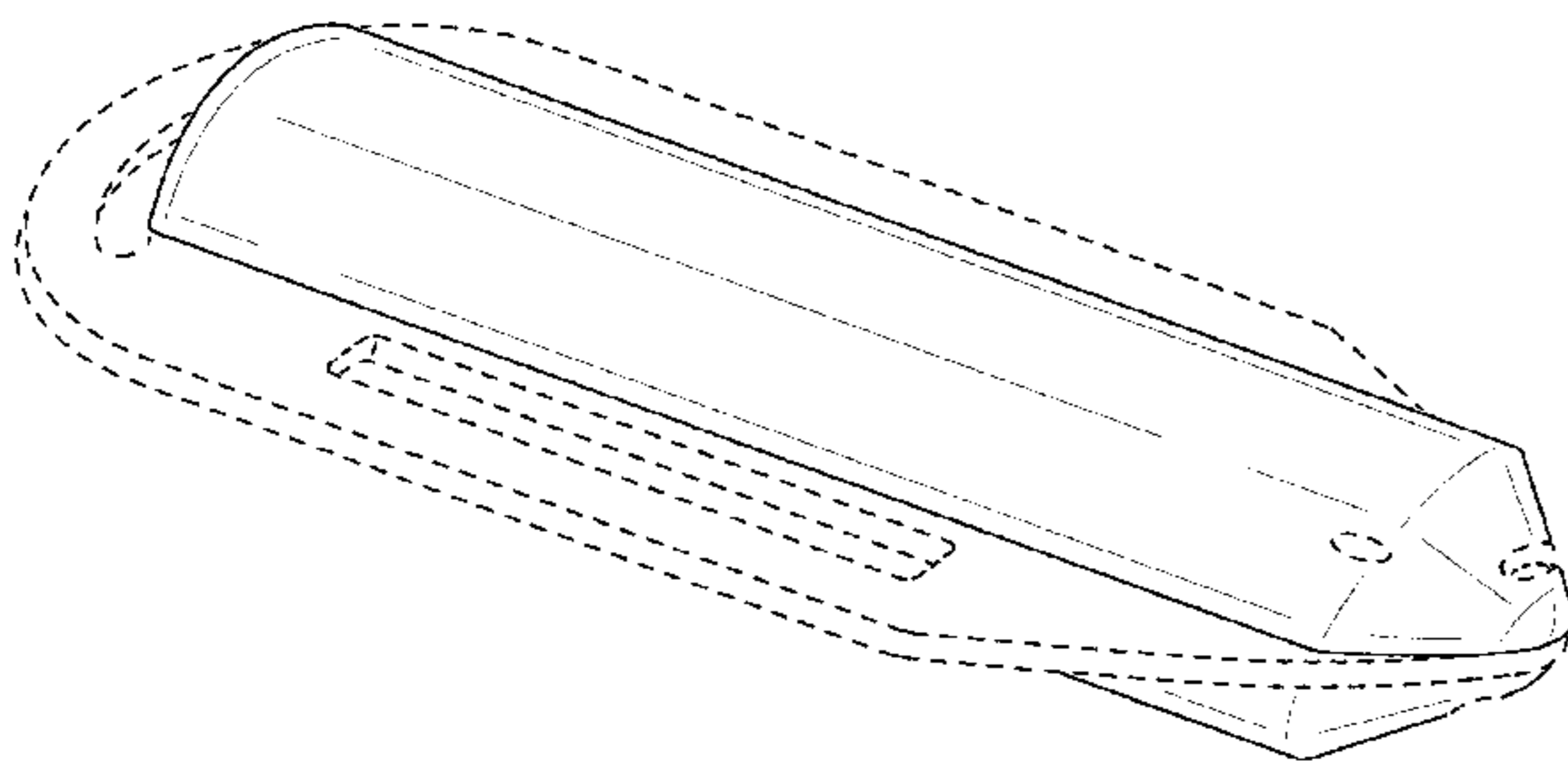
FIG. 5 is back view thereof.

FIG. 6 is a side view thereof; and,

FIG. 7 is another side view thereof.

The broken lines in the drawings illustrate portions of the
rescue device which form no part of the claimed design.

1 Claim, 4 Drawing Sheets



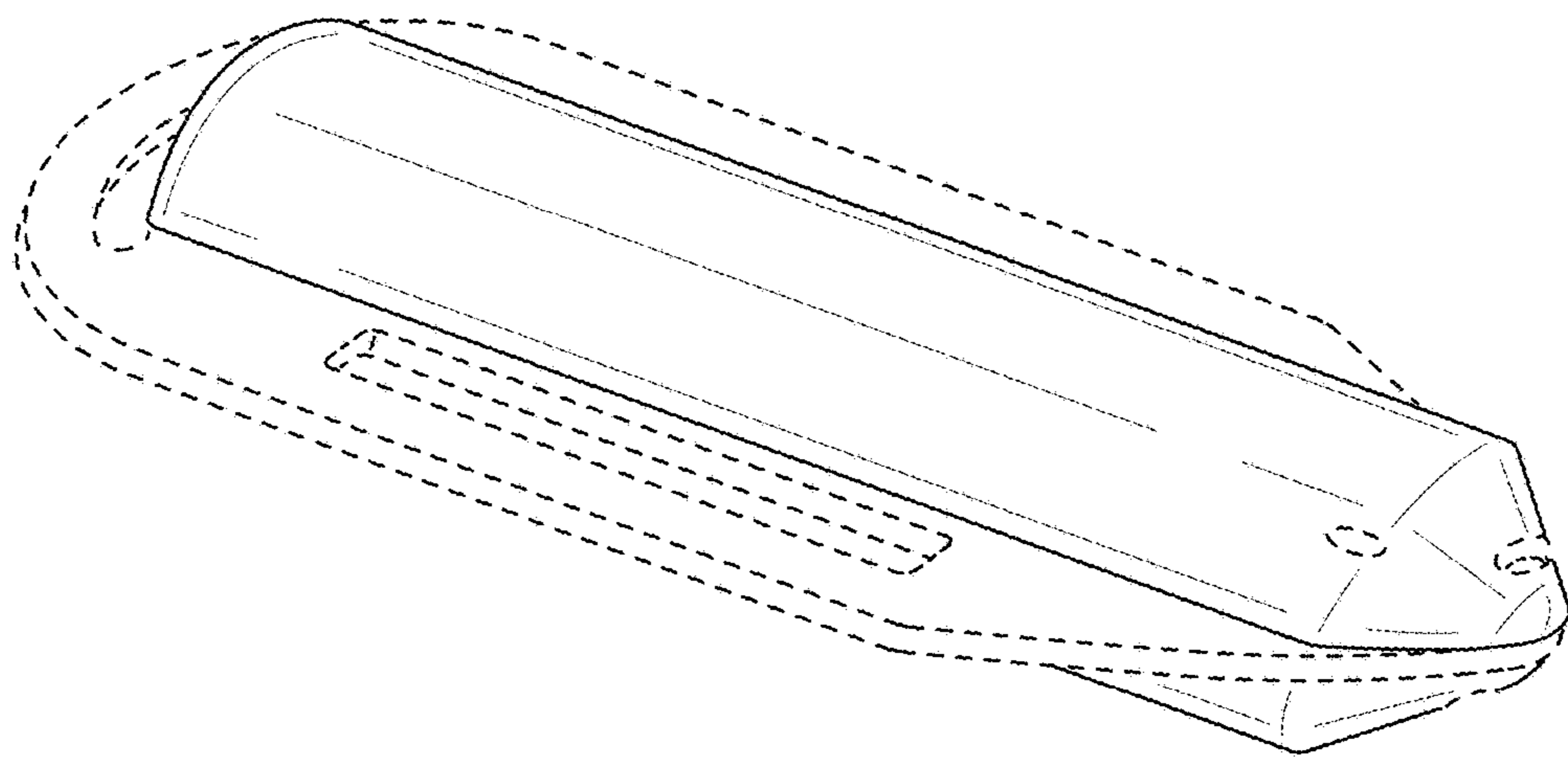


FIG. 1

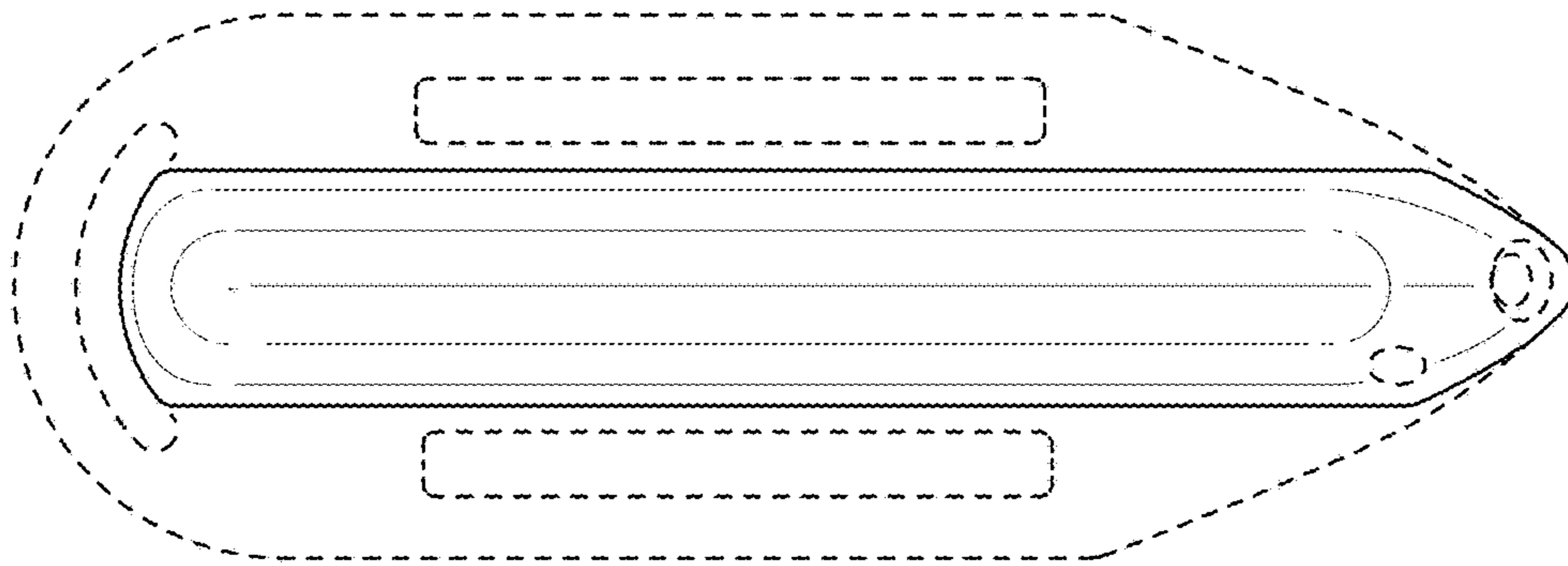


FIG. 2

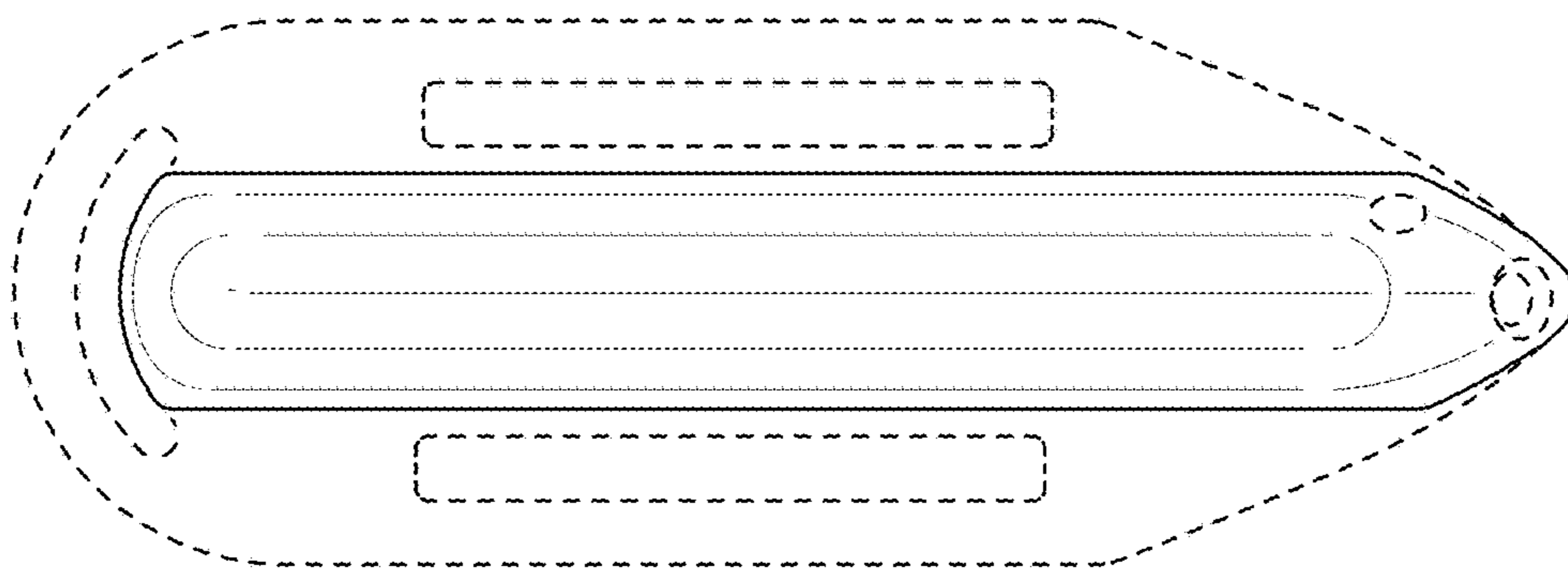


FIG. 3

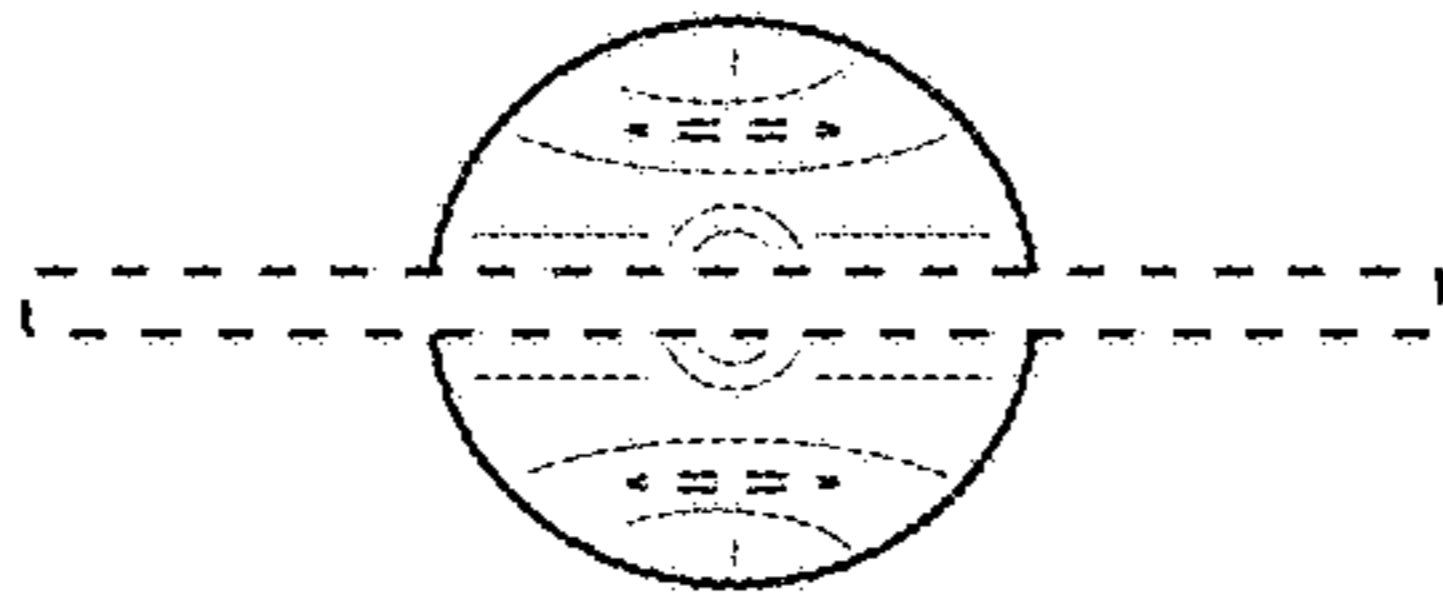


FIG. 4

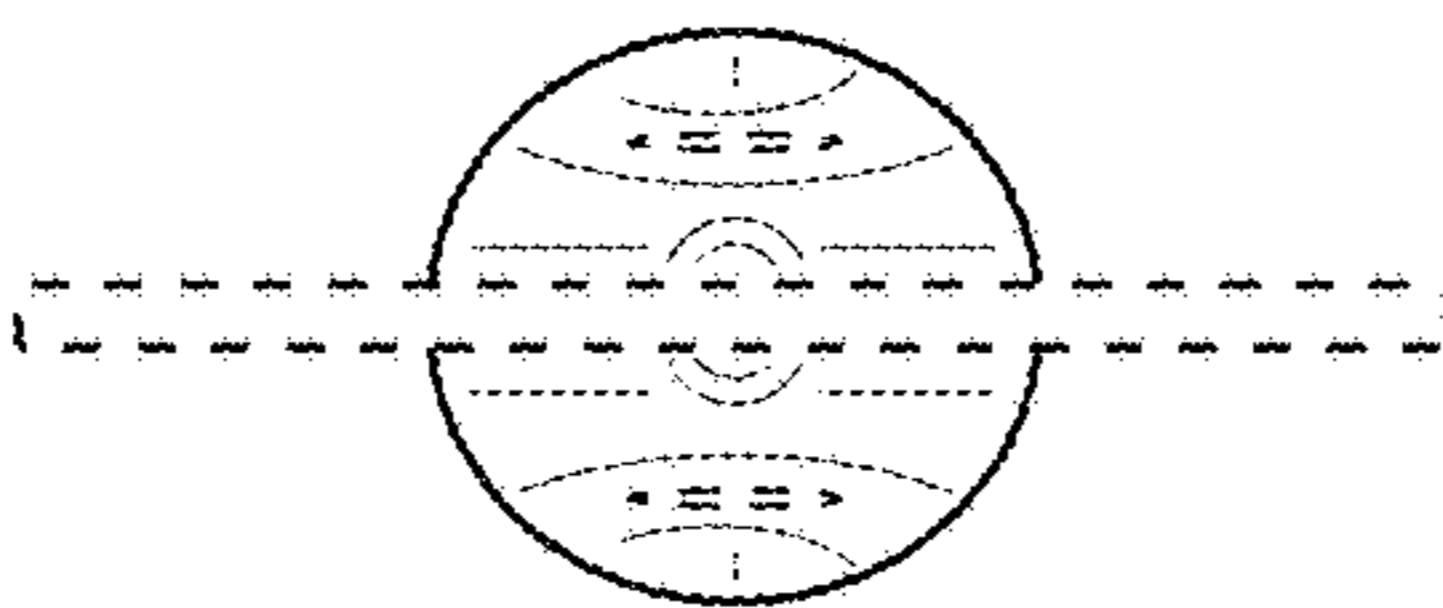


FIG. 5

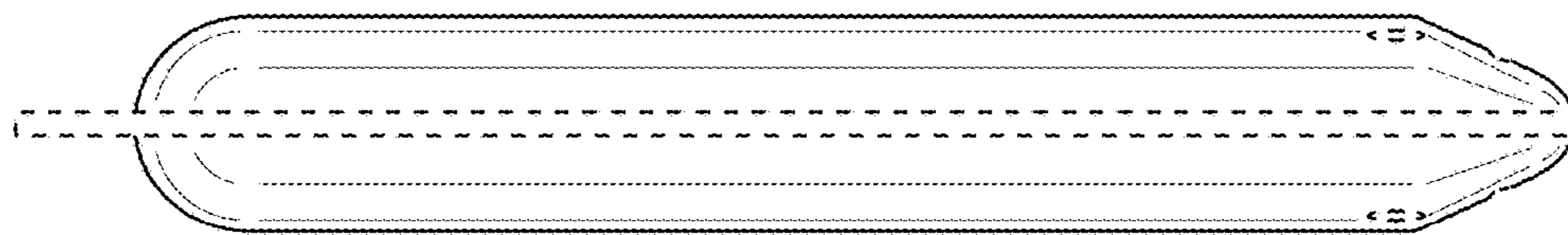


FIG. 6

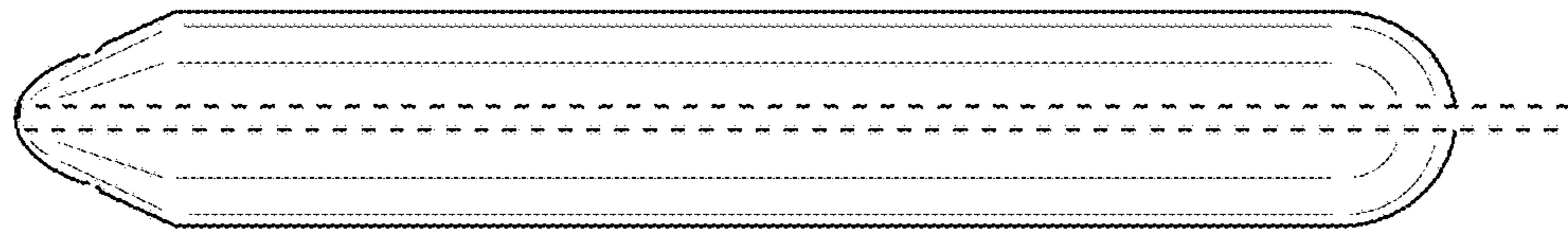


FIG. 7