



US00D840484S

(12) **United States Design Patent**  
**Groenenboom**

(10) **Patent No.:** **US D840,484 S**

(45) **Date of Patent:** **\*\* Feb. 12, 2019**

(54) **BRACKET FOR SKATEBOARD DECK**

(71) Applicant: **Mark Groenenboom**, Wyoming, MI  
(US)

(72) Inventor: **Mark Groenenboom**, Wyoming, MI  
(US)

(\*\*) Term: **15 Years**

(21) Appl. No.: **35/001,387**

(22) Filed: **Jun. 13, 2017**

(80) **Hague Agreement Data**

Int. Filing Date: **Jun. 13, 2017**

Int. Reg. No.: **DM/098113**

Int. Reg. Date: **Jun. 13, 2017**

Int. Reg. Pub. Date: **Nov. 3, 2017**

(51) **LOC (11) Cl.** ..... **08-08**

(52) **U.S. Cl.**

USPC ..... **D21/771**

(58) **Field of Classification Search**

USPC ..... D21/760, 763, 764, 765, 771

CPC .... A63C 1/00; A63C 1/02; A63C 1/04; A63C

1/06; A63C 1/08; A63C 1/16; A63C 1/20;

A63C 1/40; A63C 3/00; A63C 3/02;

A63C 3/04; A63C 17/011; A63C 17/012;

A63C 17/013

See application file for complete search history.

(56) **References Cited**

U.S. PATENT DOCUMENTS

D137,999 S \* 5/1944 Daly ..... 280/811

D193,958 S \* 10/1962 Senne ..... D2/953

D355,690 S \* 2/1995 Meibock ..... D21/761

D387,834 S \* 12/1997 Chenevert ..... D21/764

D401,657 S \* 11/1998 Ou ..... D21/771

D406,627 S \* 3/1999 Pike ..... D21/760

D465,538 S \* 11/2002 Chen ..... D21/764

D484,558 S \* 12/2003 Lo ..... D21/764

7,837,204 B1 \* 11/2010 Groenenboom ... A63C 17/0093

280/11.27

7,896,364 B1 \* 3/2011 Ferreira ..... A63C 17/012

280/11.27

2007/0085290 A1 \* 4/2007 Findling ..... A63C 17/01

280/87.042

2010/0140885 A1 \* 6/2010 Corrente ..... A63C 17/0046

280/11.27

2016/0339329 A1 \* 11/2016 Groenenboom ..... A63C 17/012

\* cited by examiner

*Primary Examiner* — George D. Kirschbaum

*Assistant Examiner* — Joseph J Kukella

(57) **CLAIM**

The ornamental design for a bracket for skateboard deck, as shown and described.

**DESCRIPTION**

1. Bracket for skateboard deck

1.1 : Perspective

1.2 : Front

1.3 : Back

1.4 : Top

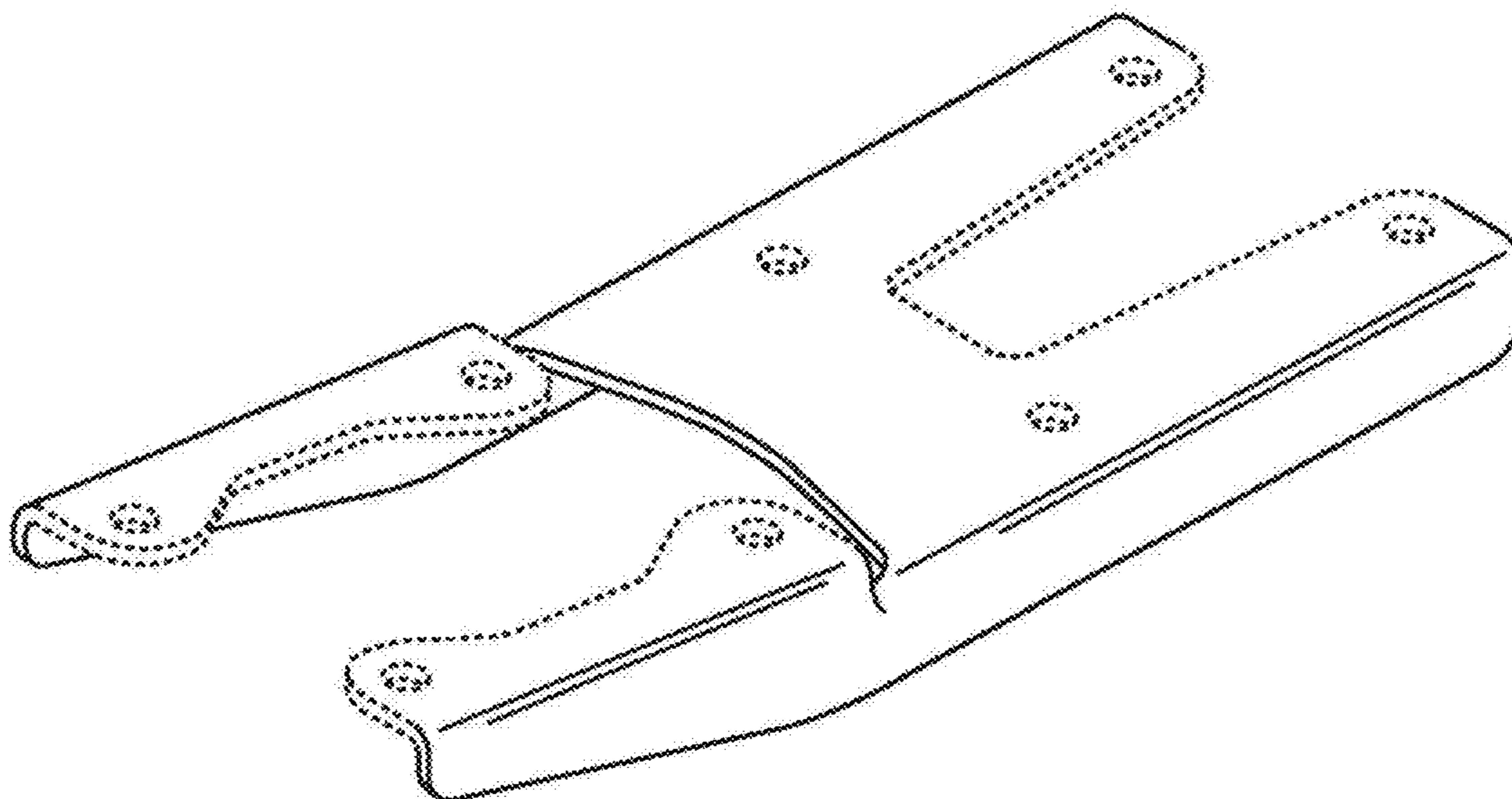
1.5 : Bottom

1.6 : Left

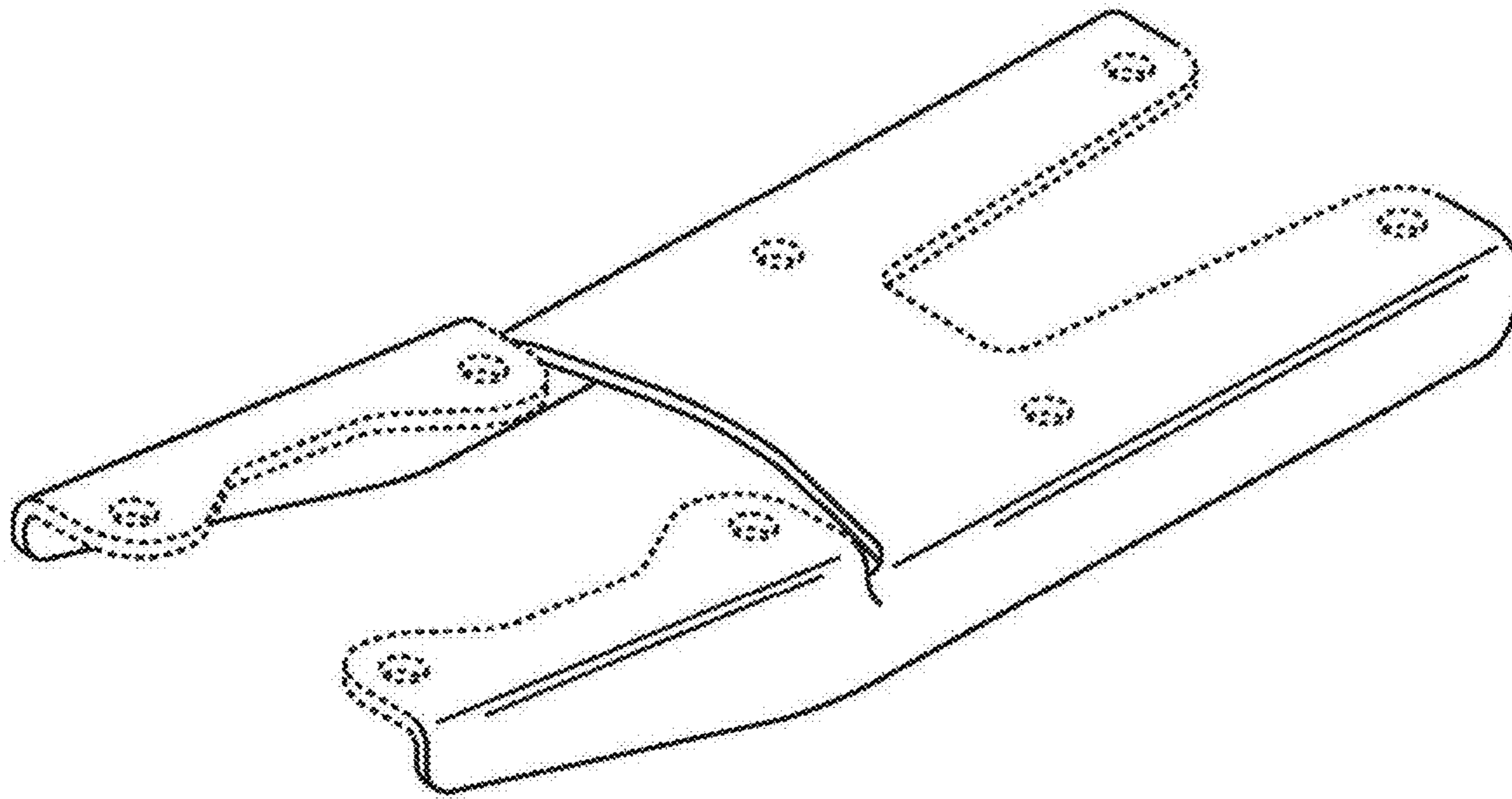
1.7 : Right

The broken lines are included for the purpose of illustrating portions of the bracket that form no part of the claimed design.

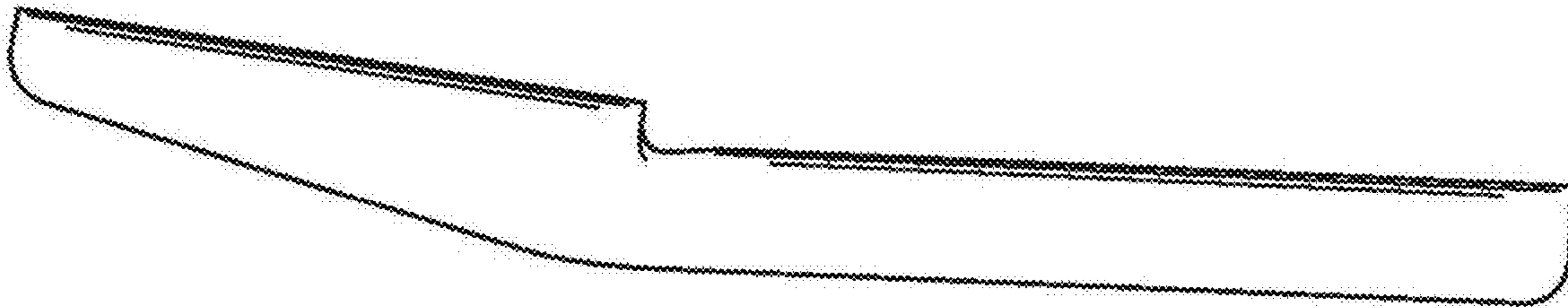
**1 Claim, 7 Drawing Sheets**



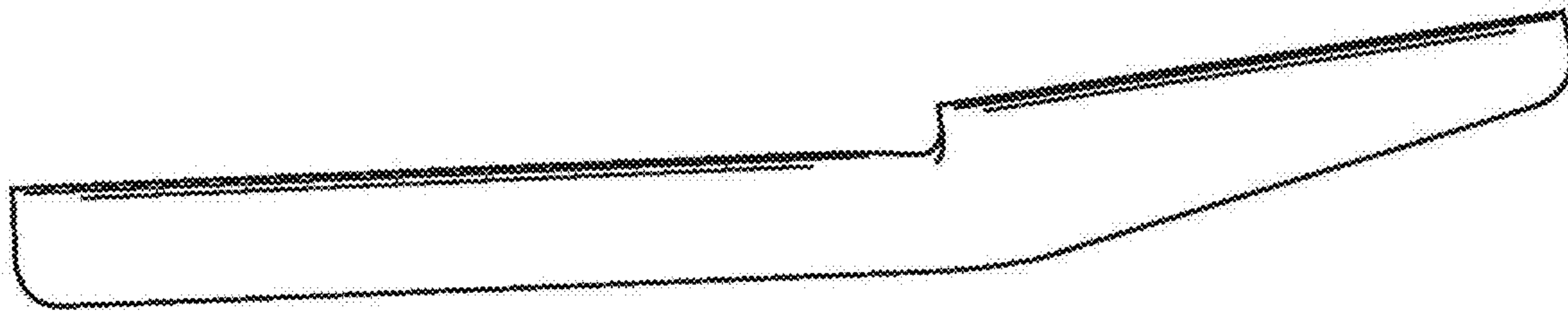
1.1



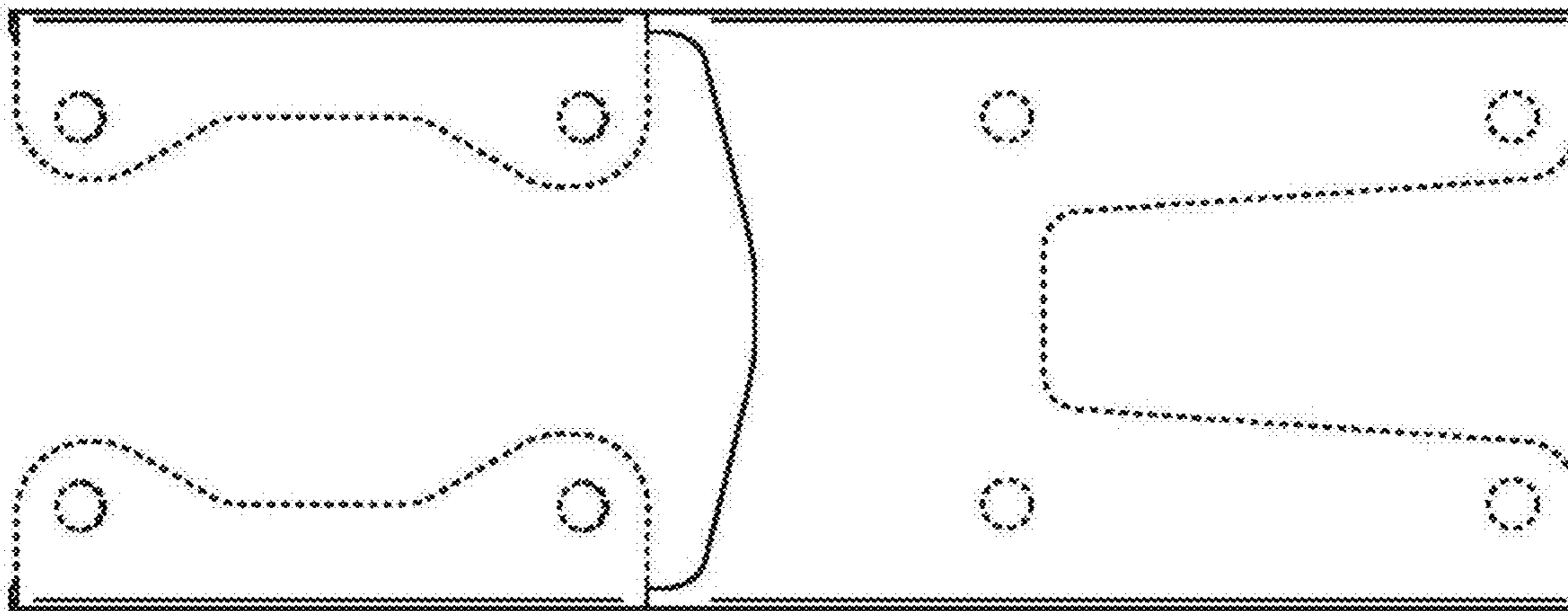
1.2



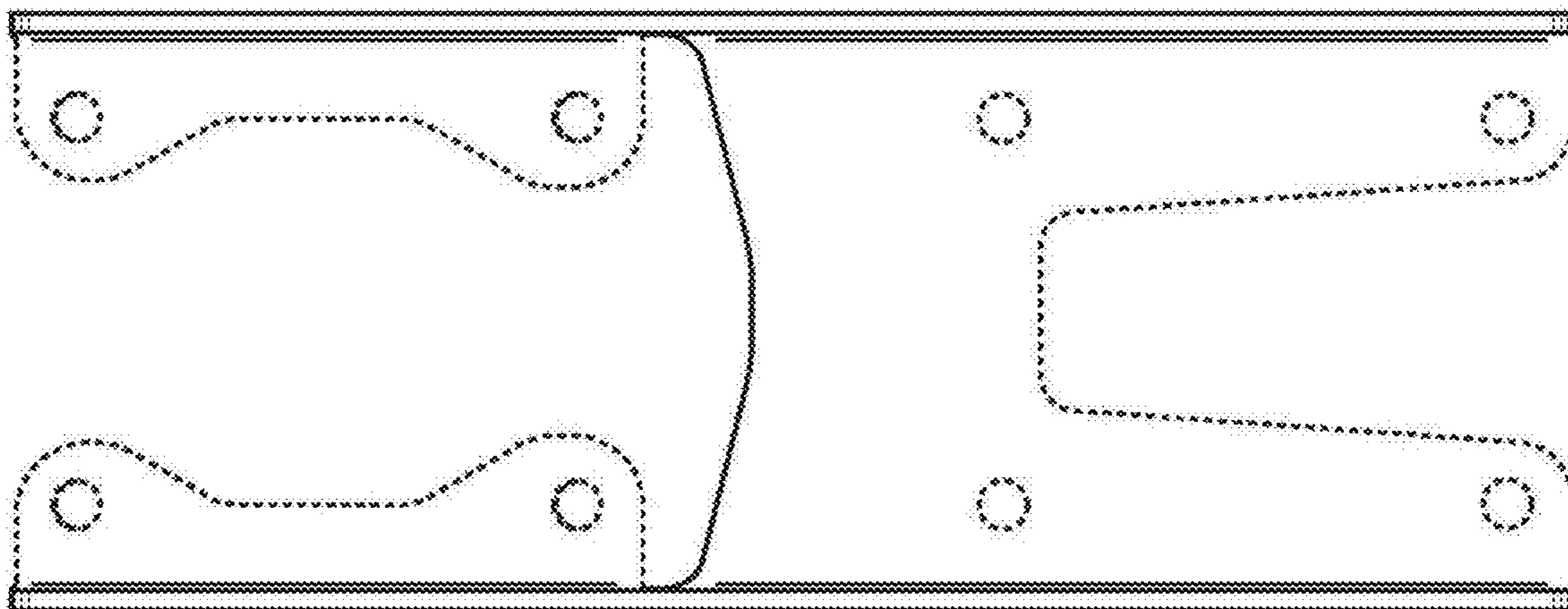
1.3



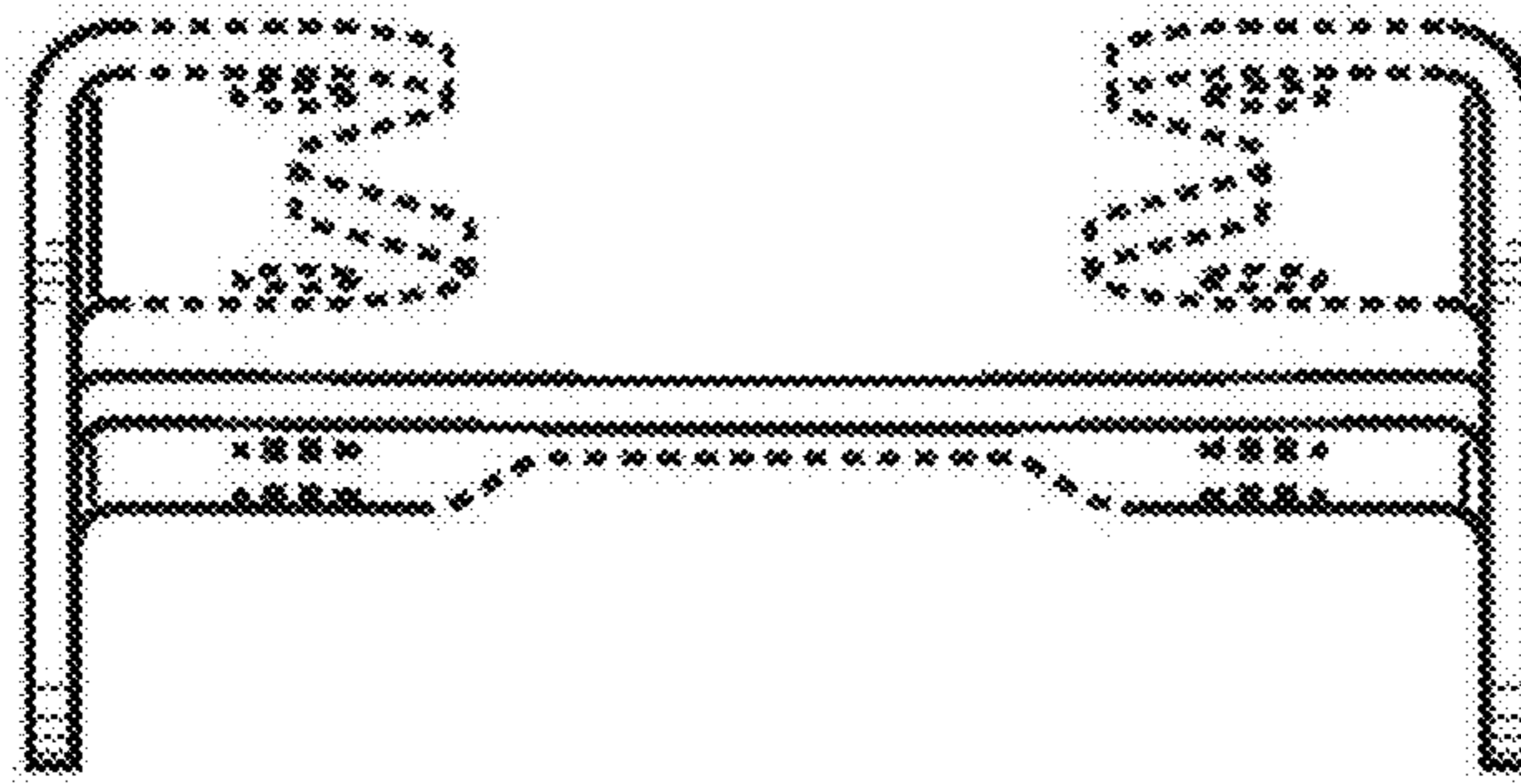
1.4



1.5



1.6





1.7

