



US00D840483S

(12) **United States Design Patent** (10) **Patent No.:** **US D840,483 S**
Boggs (45) **Date of Patent:** **** Feb. 12, 2019**

(54) **HOSEL FOR GOLF CLUB**
(71) Applicant: **Golf Tailor, LLC**, Edmond, OK (US)
(72) Inventor: **Joshua M. Boggs**, Aledo, TX (US)
(73) Assignee: **Golf Tailor, LLC**, Edmond, OK (US)
(**) Term: **15 Years**
(21) Appl. No.: **29/619,817**
(22) Filed: **Oct. 2, 2017**
(51) **LOC (11) Cl.** **21-02**
(52) **U.S. Cl.**
USPC **D21/759**
(58) **Field of Classification Search**
USPC D21/733-752, 759
CPC A63B 53/00; A63B 53/04; A63B 53/0466;
A63B 2053/002; A63B 2053/0445; A63B
2053/0433; A63B 2053/0491; A63B
2053/0437; A63B 53/007; A63B 53/065;
A63B 53/0487; A63B 60/00; A63B
60/46; A63B 53/02; A63B 53/047; A63B
53/0475; A63B 2053/0479; A63B
2053/0483
See application file for complete search history.

(56) **References Cited**
U.S. PATENT DOCUMENTS
D381,728 S * 7/1997 Cameron D21/759
D388,488 S * 12/1997 Cameron D21/759
D393,678 S * 4/1998 Jones D21/759
D410,982 S * 6/1999 Solheim D21/759
D422,660 S * 4/2000 Grace D21/759
D434,822 S * 12/2000 Jacobson D21/759
D436,151 S * 1/2001 Nicolette D21/759
D443,668 S * 6/2001 Nicolette D21/759
6,352,482 B1 * 3/2002 Jacobson A63B 53/00
473/310
D464,695 S * 10/2002 Long D21/759
D495,021 S * 8/2004 Gray D21/759

D537,896 S * 3/2007 Holt D21/759
D583,001 S * 12/2008 Evans D21/759
D583,002 S * 12/2008 Evans D21/759
D583,890 S * 12/2008 DeMille D21/759
D583,891 S * 12/2008 DeMille D21/759
D584,372 S * 1/2009 Hall D21/759
D586,417 S * 2/2009 Hall D21/759
D586,870 S * 2/2009 Hocknell D21/759
D587,770 S * 3/2009 Evans D21/759
D588,219 S * 3/2009 Evans D21/759
D588,660 S * 3/2009 Evans D21/759
D589,577 S * 3/2009 Evans D21/759
D590,466 S * 4/2009 Hall D21/759

(Continued)

Primary Examiner — Mitchell I. Siegel
(74) *Attorney, Agent, or Firm* — Caesar Rivise, PC

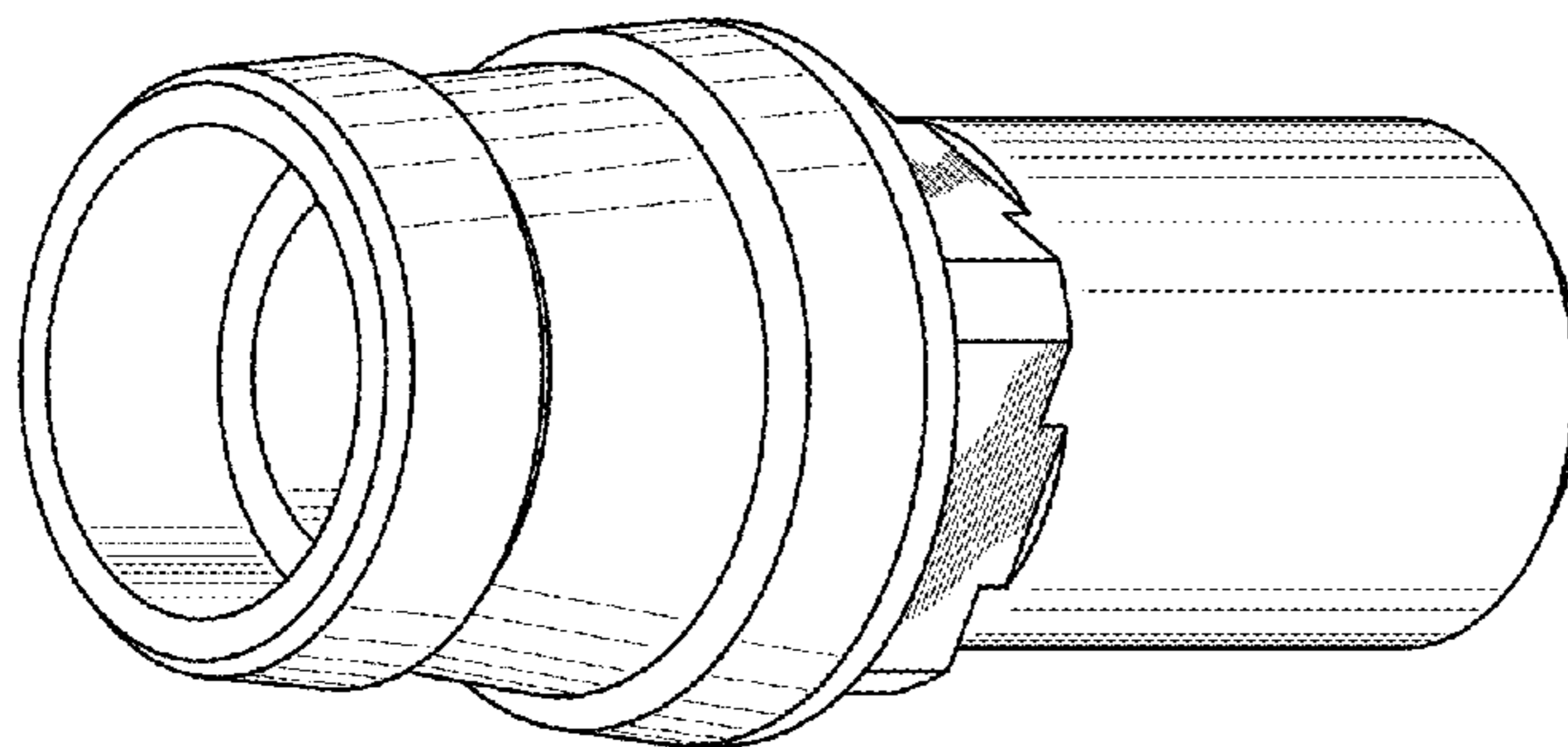
(57) **CLAIM**

The ornamental design for the hosel for golf club, as shown and described.

DESCRIPTION

FIG. 1 is a bottom, isometric view of a hosel for golf club showing my new design;
FIG. 2 is a top, isometric view of the hosel for golf club of FIG. 1;
FIG. 3 is a front elevation view of the hosel for golf club of FIG. 1;
FIG. 4 is a rear elevation view of the hosel for golf club of FIG. 1;
FIG. 5 is a bottom plan view of the hosel for golf club of FIG. 1;
FIG. 6 is a top plan view of the hosel for golf club of FIG. 1;
FIG. 7 is left side elevation view of a hosel for golf club of FIG. 1;
FIG. 8 is a right side elevation view of the hosel for golf club of FIG. 1; and,
FIG. 9 is a cross-sectional view taken along line 9--9 of FIG. 7.

1 Claim, 5 Drawing Sheets



(56)

References Cited

U.S. PATENT DOCUMENTS

D590,467	S *	4/2009	Cackett	D21/759
D590,468	S *	4/2009	Evans	D21/759
D590,904	S *	4/2009	Evans	D21/759
D590,905	S *	4/2009	Demille	D21/759
D590,906	S *	4/2009	Cackett	D21/759
D591,375	S *	4/2009	Evans	D21/759
D591,376	S *	4/2009	Evans	D21/759
D591,377	S *	4/2009	Evans	D21/759
D591,378	S *	4/2009	Hocknell	D21/759
D591,379	S *	4/2009	De La Cruz	D21/759
D591,380	S *	4/2009	Evans	D21/759
D591,815	S *	5/2009	De La Cruz	D21/759
7,887,431	B2 *	2/2011	Beach	A63B 53/0466 473/307
8,142,306	B2 *	3/2012	De La Cruz	A63B 53/02 473/288
D682,378	S *	5/2013	Holt	D21/759
D687,504	S *	8/2013	Stokke	D21/759
D723,121	S *	2/2015	Stokke	D21/759
D757,194	S *	5/2016	Stokke	D21/759
9,403,067	B2 *	8/2016	Zimmerman	A63B 53/0466
D773,576	S *	12/2016	Schweigert	D21/759
D795,371	S *	8/2017	Stokke	D21/759
D817,423	S *	5/2018	Toulon	D21/759
2006/0287125	A1 *	12/2006	Hocknell	A63B 53/00 473/309
2012/0034995	A1 *	2/2012	Harvell	A63B 53/0466 473/307
2012/0034996	A1 *	2/2012	Murphy	A63B 53/02 473/307
2012/0071261	A1 *	3/2012	Yamamoto	A63B 53/02 473/307
2012/0100926	A1 *	4/2012	Golden	A63B 53/0466 473/307

* cited by examiner

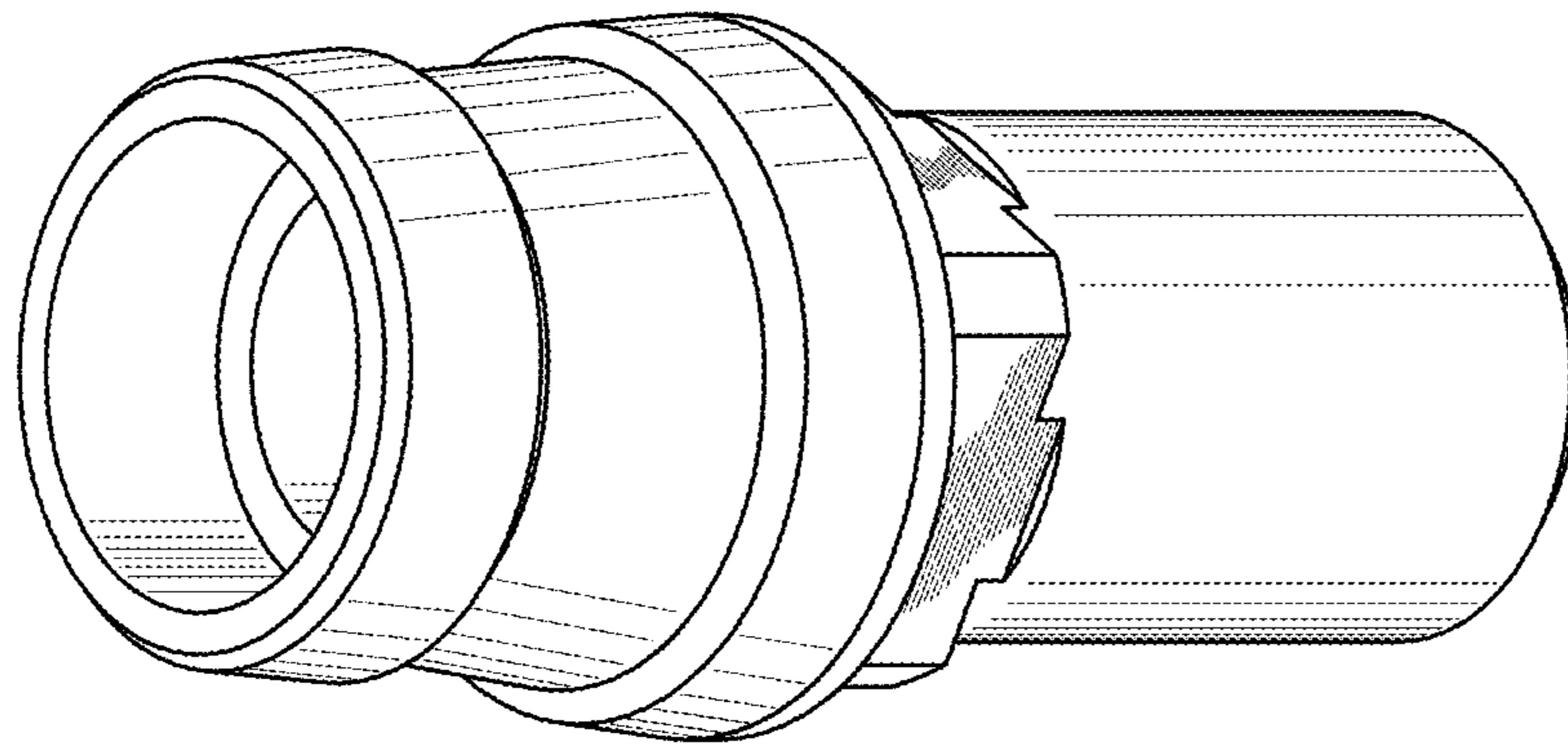


FIG. 1

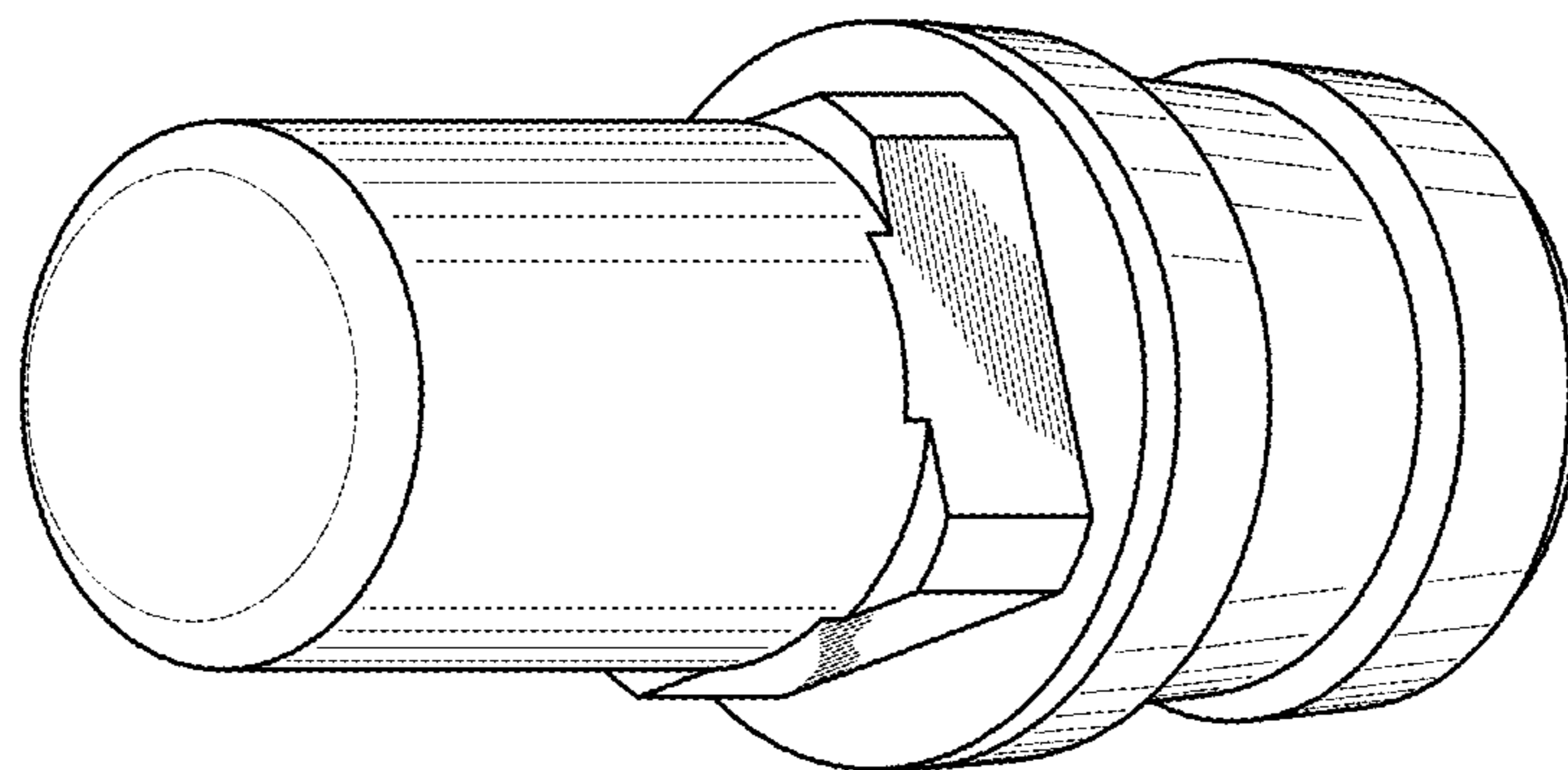


FIG. 2

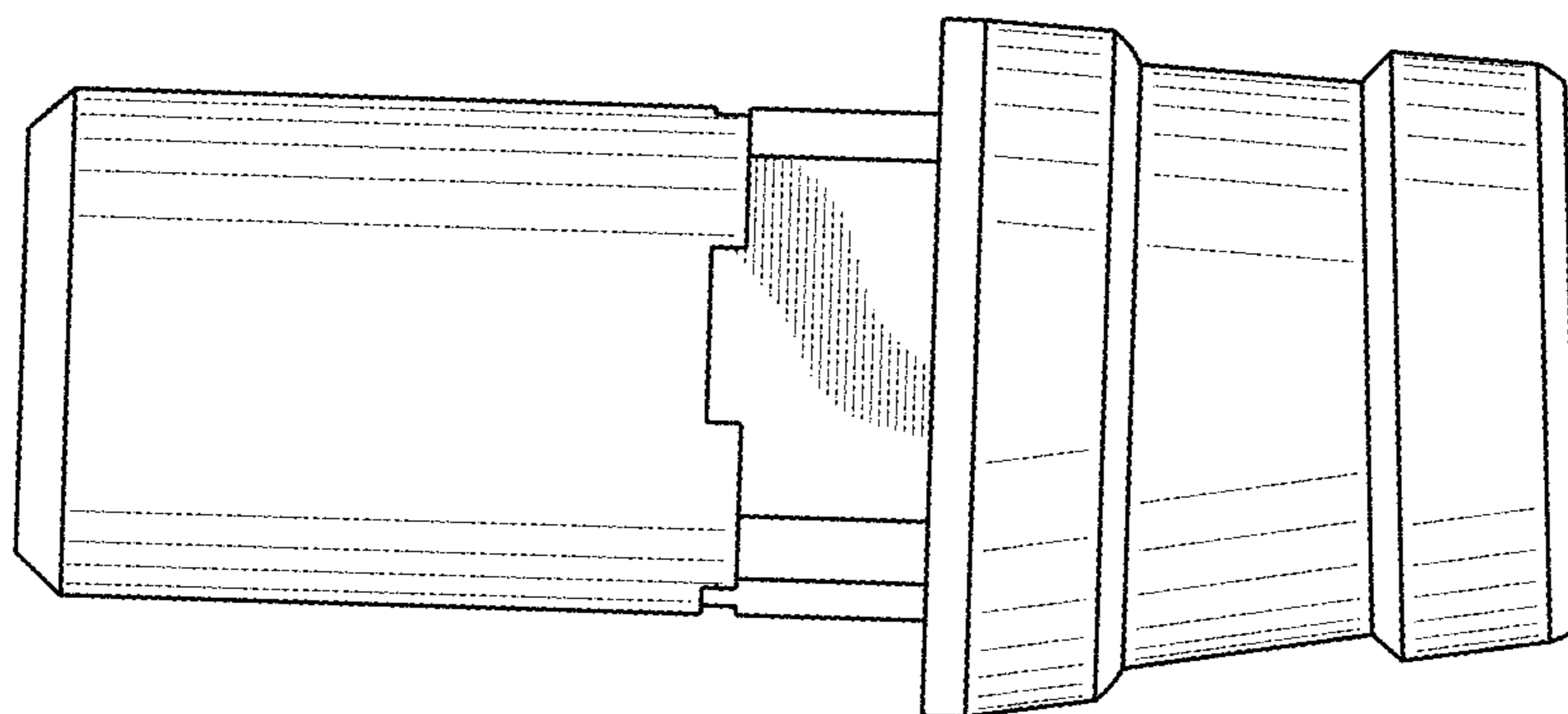


FIG. 3

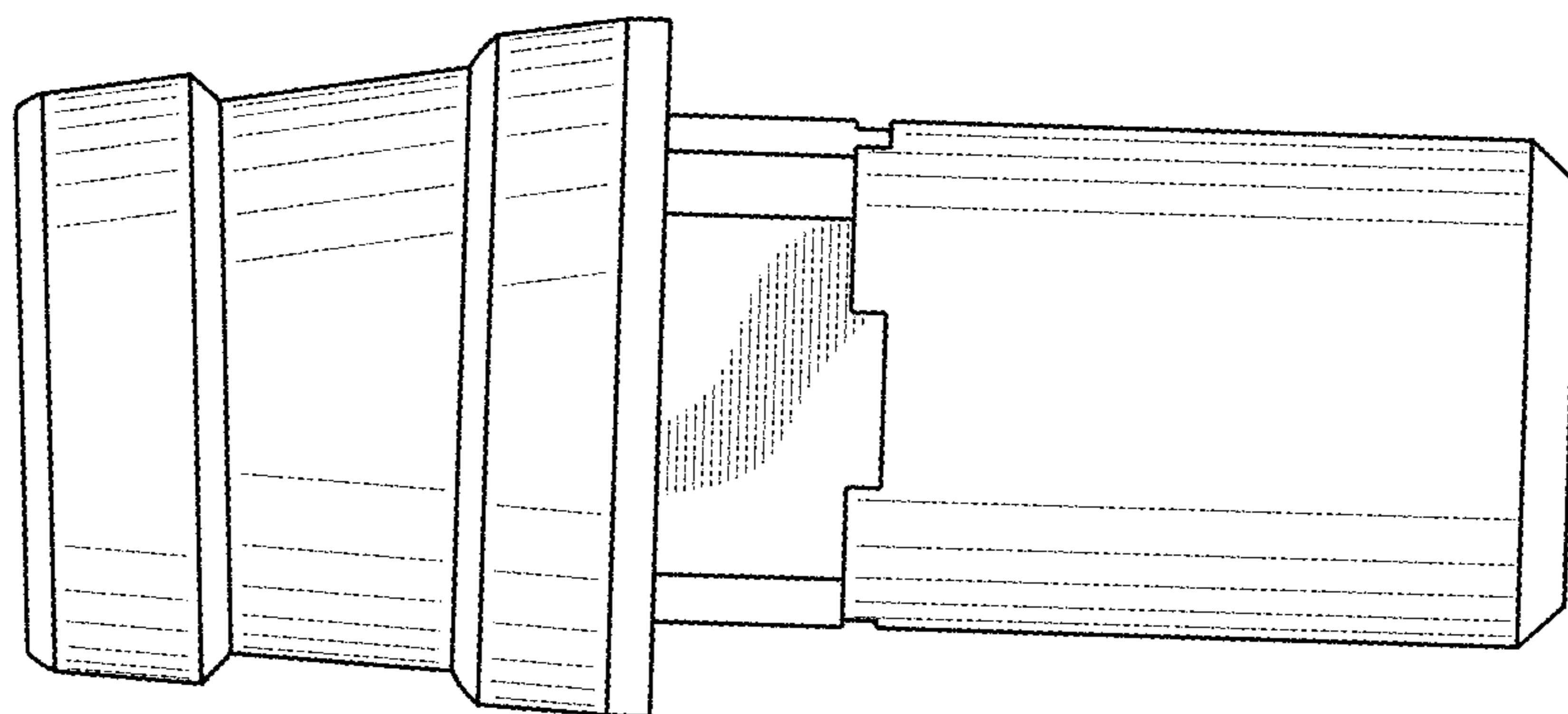


FIG. 4

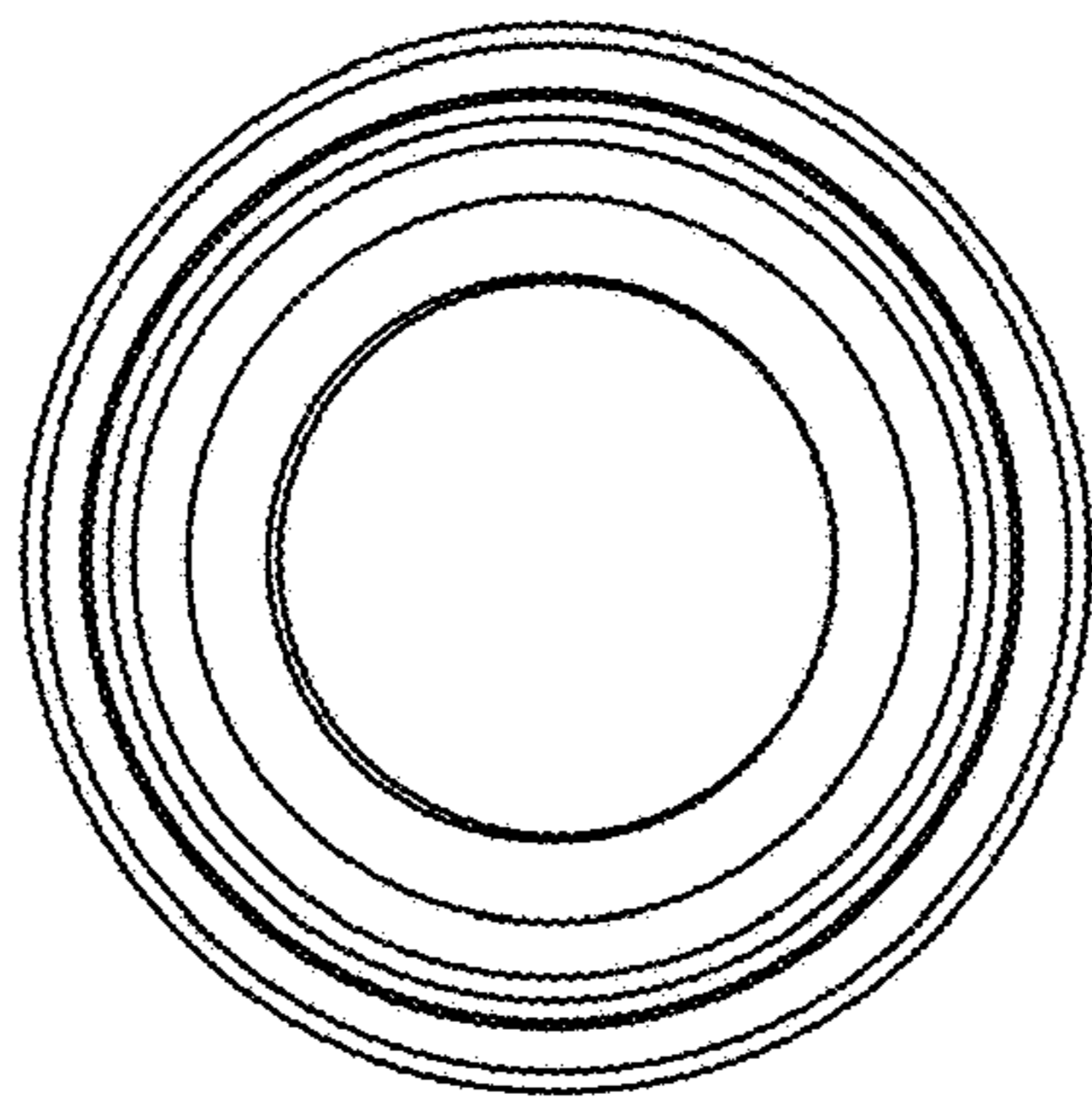


FIG. 5

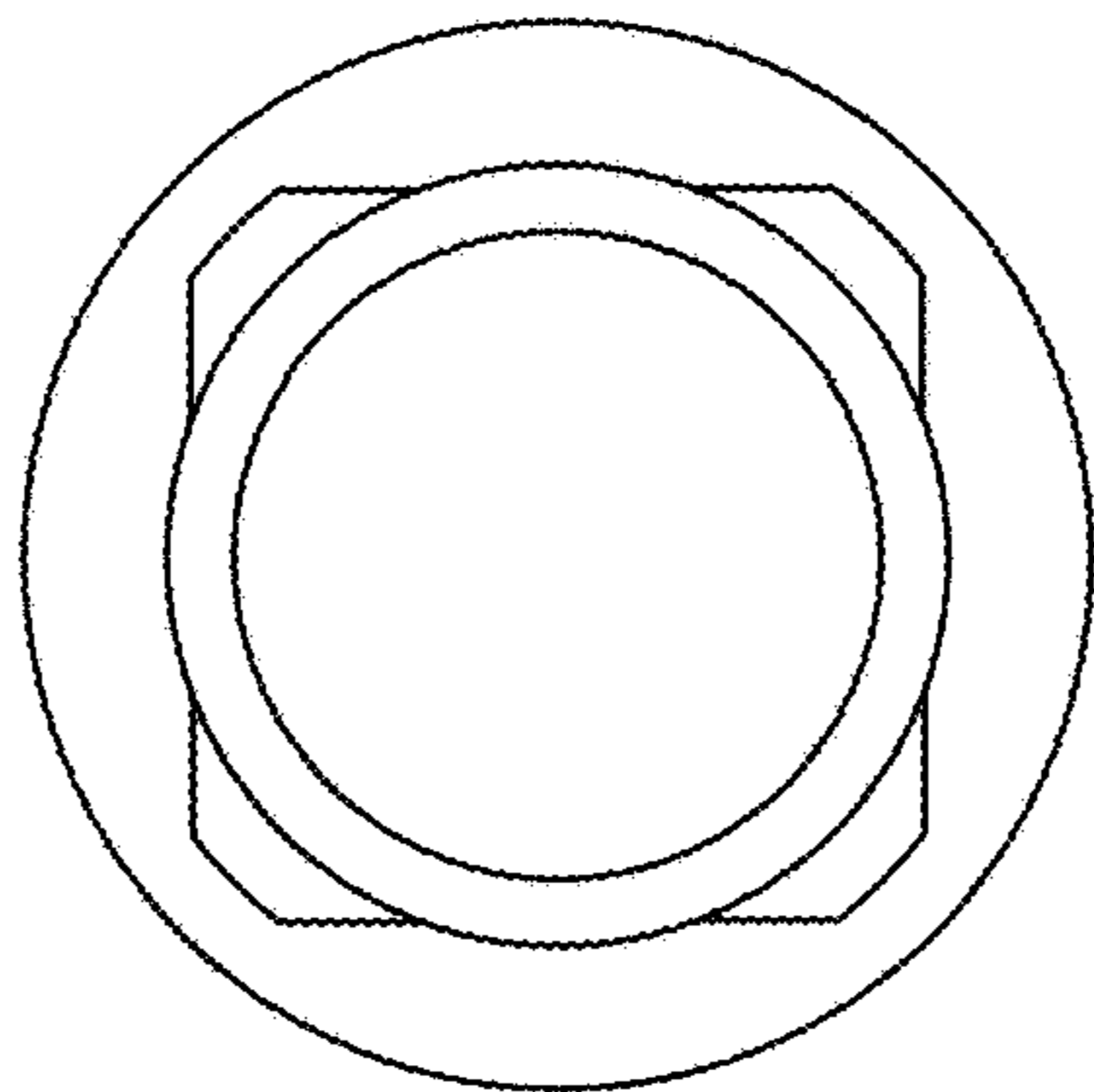


FIG. 6

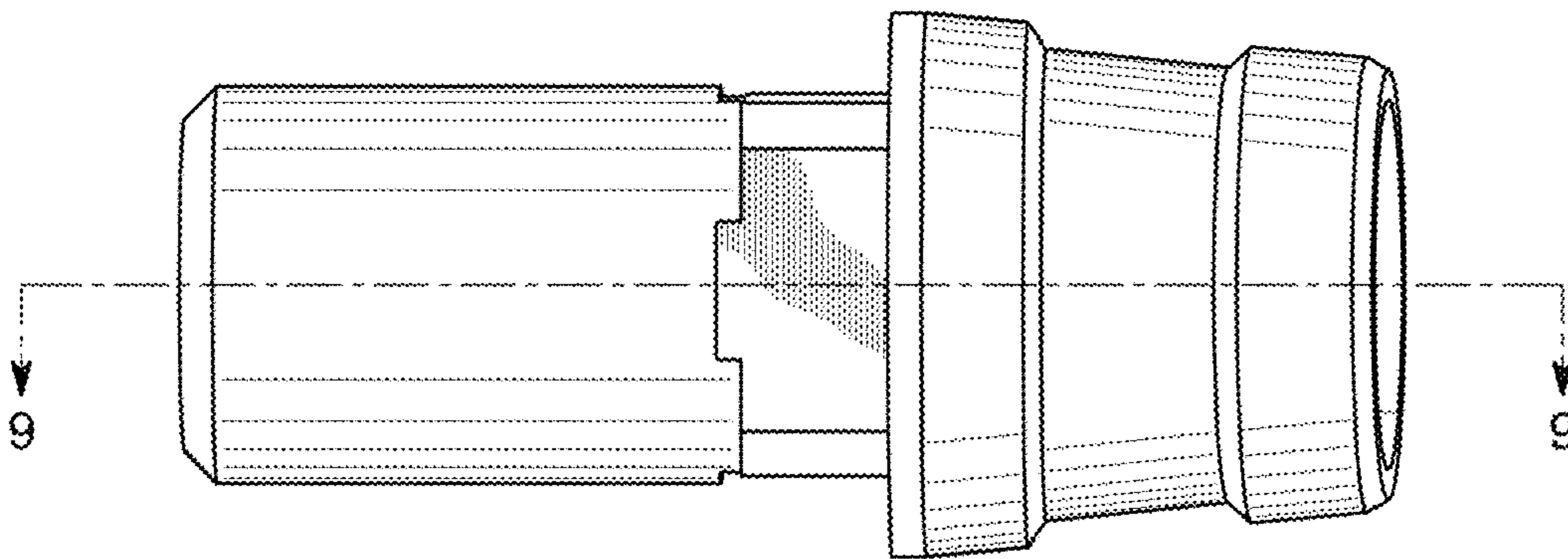


FIG. 7

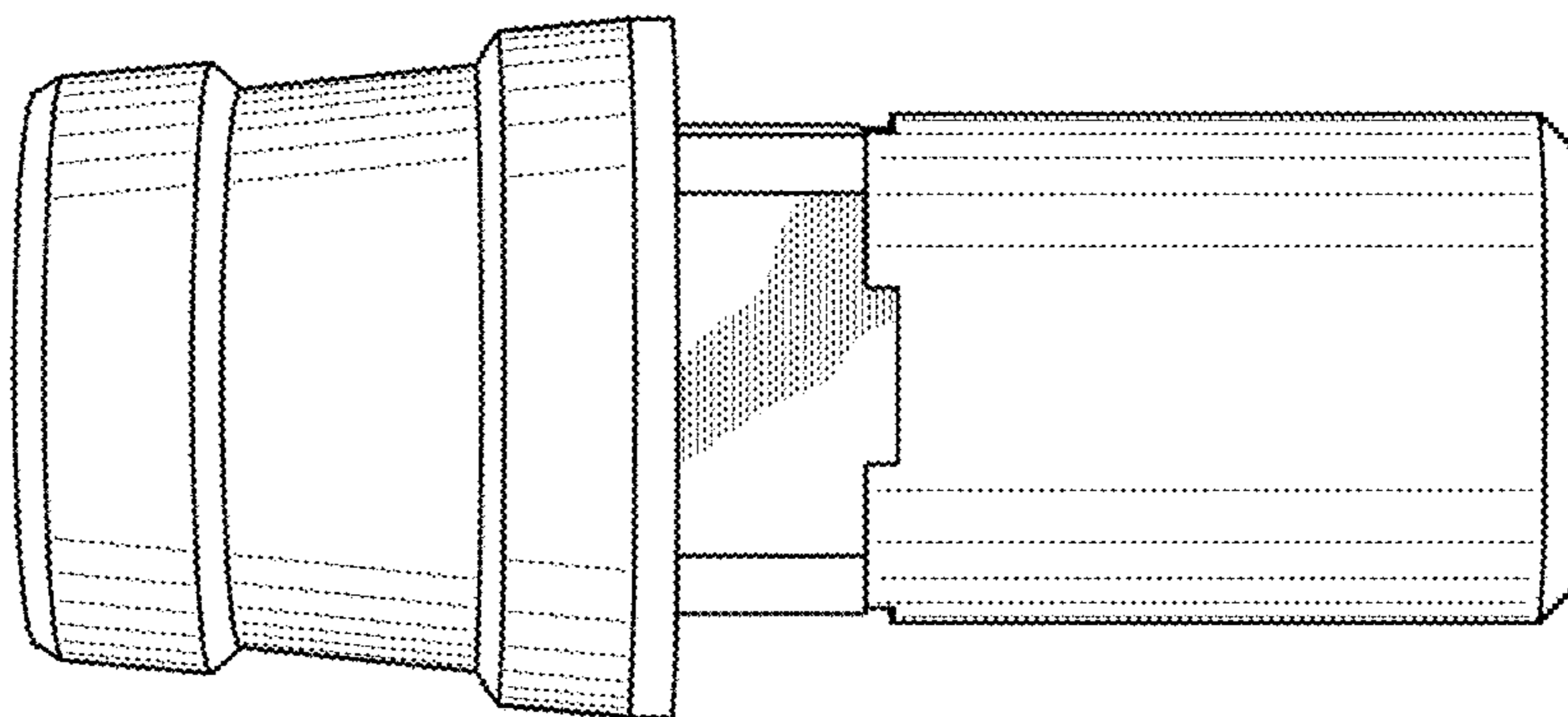


FIG. 8

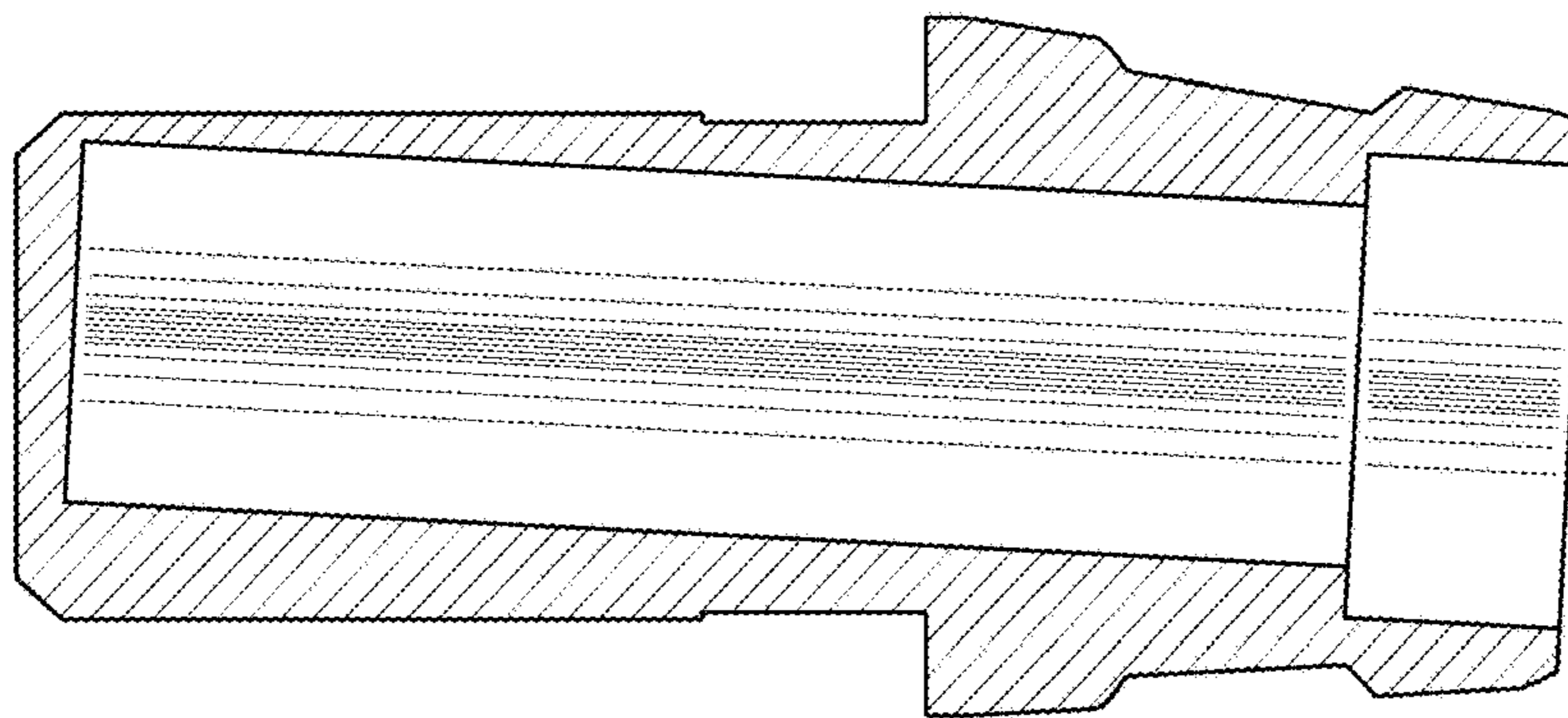


FIG. 9