



US00D840482S

(12) **United States Design Patent**
Serrano et al.

(10) **Patent No.:** **US D840,482 S**

(45) **Date of Patent:** **** Feb. 12, 2019**

(54) **GOLF CLUB HEAD**

(71) Applicant: **KARSTEN MANUFACTURING CORPORATION**, Phoenix, AZ (US)

(72) Inventors: **Anthony D. Serrano**, Anthem, AZ (US); **Xiaojian Chen**, Phoenix, AZ (US); **Calvin S. Wang**, Chandler, AZ (US); **David A. Higdon**, Phoenix, AZ (US)

(73) Assignee: **Karsten Manufacturing Corporation**, Phoenix, AZ (US)

(**) Term: **15 Years**

(21) Appl. No.: **29/610,776**

(22) Filed: **Jul. 14, 2017**

(51) **LOC (11) Cl.** **21-02**

(52) **U.S. Cl.**
USPC **D21/736**

(58) **Field of Classification Search**
USPC D21/736-746, 759
CPC A63B 53/00; A63B 53/04; A63B 53/007;
A63B 53/065; A63B 53/0487; A63B
60/00; A63B 60/46
See application file for complete search history.

(56) **References Cited**

U.S. PATENT DOCUMENTS

3,652,094 A	3/1972	Glover	
D234,962 S *	4/1975	Swash D21/739
3,884,477 A	5/1975	Bianco	
4,030,766 A	6/1977	Derr	
4,869,507 A	9/1989	Sahm	
D316,129 S	4/1991	Bryson	

(Continued)

FOREIGN PATENT DOCUMENTS

CN	2920325 Y	7/2007
CN	103252065 A	8/2013

(Continued)

OTHER PUBLICATIONS

Odyssey Works Tank Cruiser #1w, <http://www.pgatoursuperstore.com/odyssey-works-tank-cruiser-1w/1000000005200.jsp> , Date Accessed: Dec. 14, 2016.

(Continued)

Primary Examiner — Mitchell I. Siegel

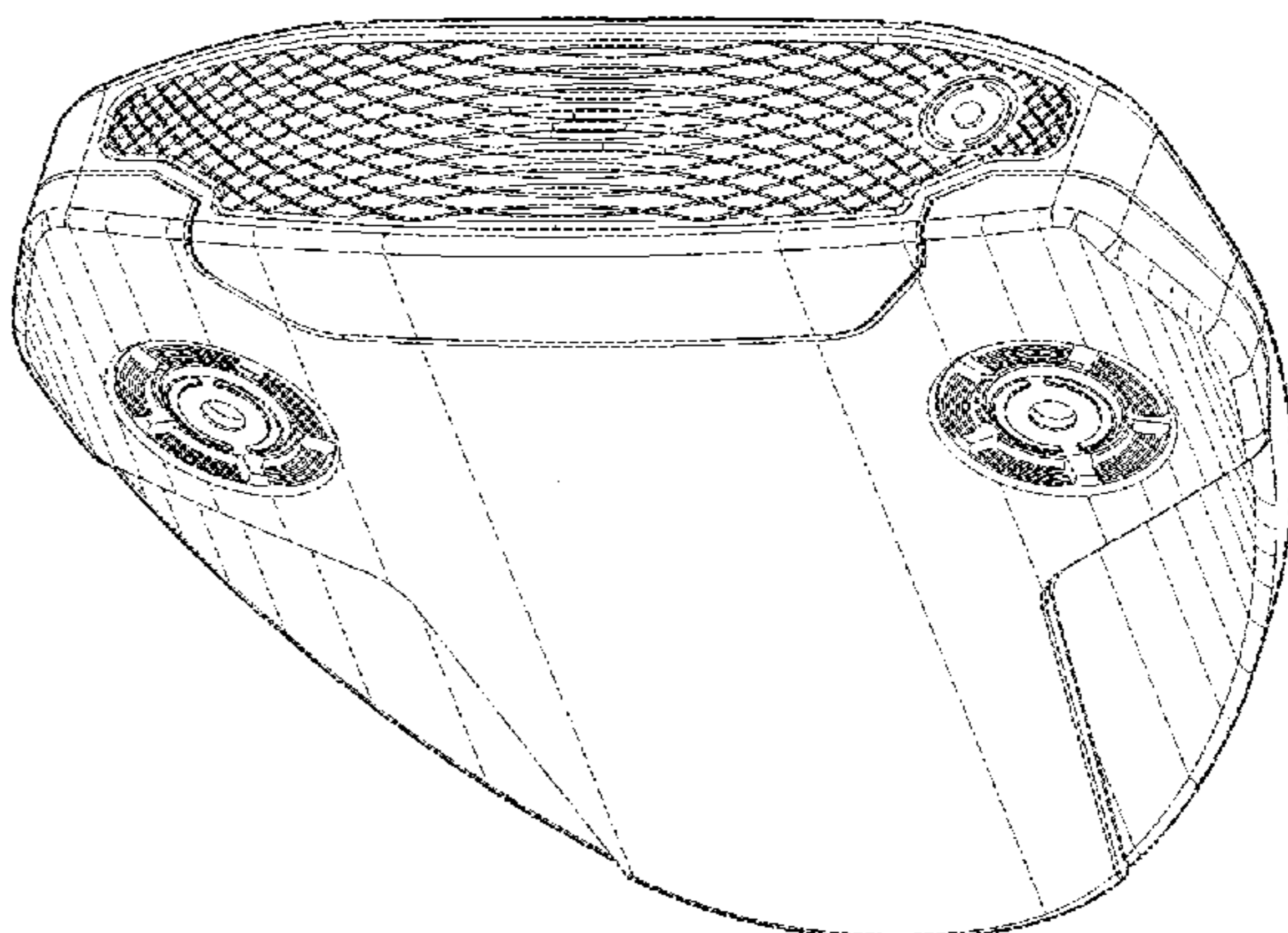
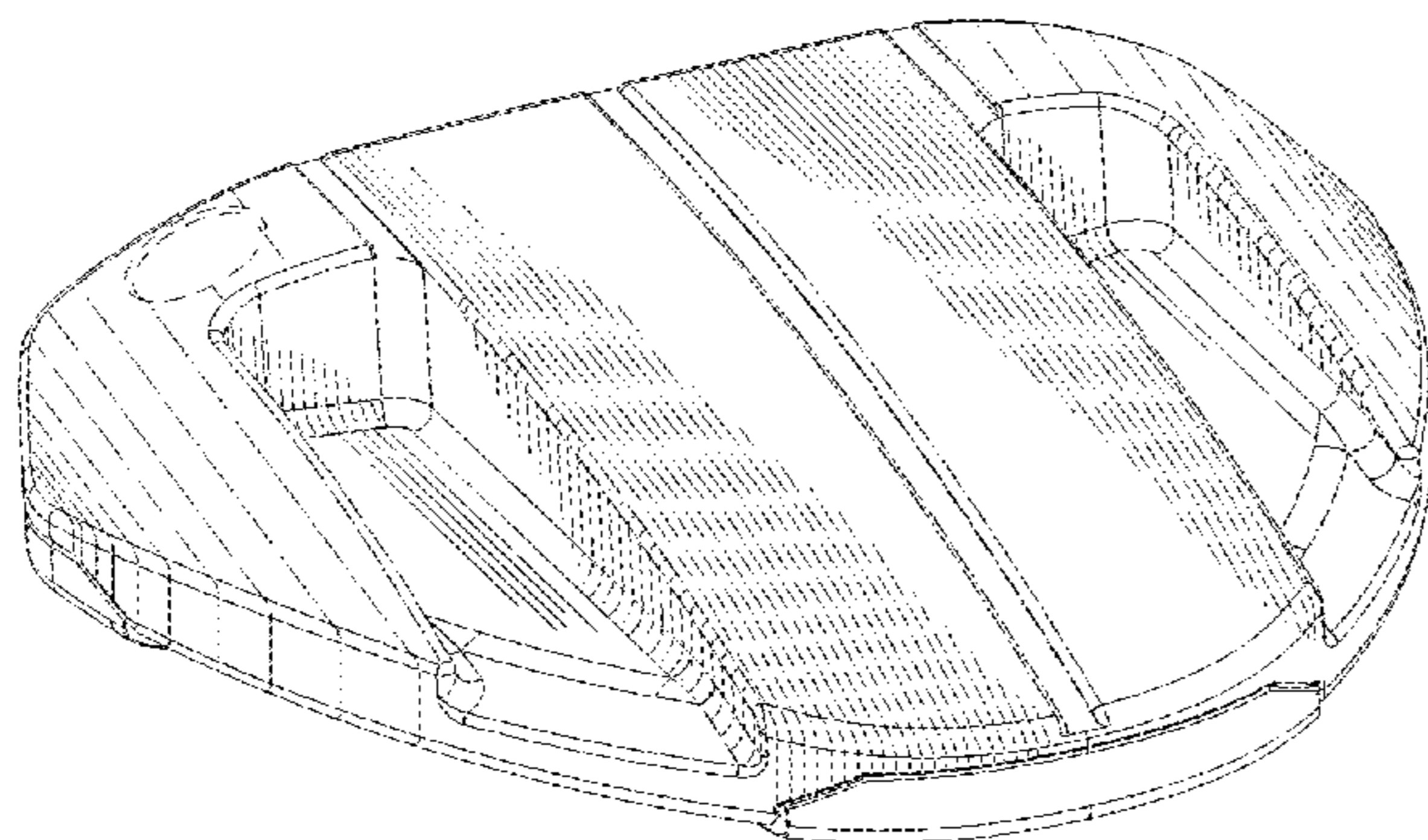
(57) **CLAIM**

The ornamental design for a golf club head, as shown and described.

DESCRIPTION

FIG. 1 is a front perspective view of a golf club head; FIG. 2 is a rear perspective view of the golf club head of FIG. 1; FIG. 3 is a front view of the golf club head of FIG. 1; FIG. 4 is a rear view of the golf club head of FIG. 1; FIG. 5 is a top view of the golf club head of FIG. 1; FIG. 6 is a bottom view of the golf club head of FIG. 1; FIG. 7 is a toe view of the golf club head of FIG. 1; FIG. 8 is a heel view of the golf club head of FIG. 1; FIG. 9 is a front perspective view of a second embodiment of the golf club head; FIG. 10 is a rear perspective view of the golf club head of FIG. 9; FIG. 11 is a front view of the golf club head of FIG. 9; FIG. 12 is a rear view of the golf club head of FIG. 9; FIG. 13 is a top view of the golf club head of FIG. 9; FIG. 14 is a bottom view of the golf club head of FIG. 9; FIG. 15 is a toe view of the golf club head of FIG. 9; and, FIG. 16 is a heel view of the golf club head of FIG. 9. The broken line showing is included for the purpose of illustrating unclaimed subject matter and forms no part of the claimed design.

1 Claim, 8 Drawing Sheets



(56)

References Cited

U.S. PATENT DOCUMENTS

D375,131 S 10/1996 Williams
 5,685,784 A 11/1997 Butler
 D389,539 S * 1/1998 Moore D21/739
 5,746,664 A 5/1998 Reynolds, Jr.
 D399,900 S 10/1998 Hogan
 6,048,275 A 4/2000 Gedeon
 6,159,108 A 12/2000 De La Pena
 6,379,259 B1 4/2002 Opie
 D461,860 S * 8/2002 Tang D21/742
 D488,200 S 4/2004 Olsavsky
 D488,529 S 4/2004 Watkins
 D496,417 S * 9/2004 Tang D21/738
 D500,109 S 12/2004 Solheim
 D500,110 S 12/2004 Solheim
 6,837,801 B1 1/2005 Souza
 D502,234 S * 2/2005 Grace D21/736
 6,878,071 B1 4/2005 Schwieger
 6,893,355 B2 5/2005 Souza
 6,902,496 B2 6/2005 Solheim
 D507,317 S * 7/2005 Garner D21/743
 D507,612 S 7/2005 Souza
 D507,613 S 7/2005 Baiocchi
 D508,273 S * 8/2005 Garner D21/743
 6,926,615 B1 8/2005 Souza
 D510,394 S * 10/2005 Tang D21/742
 6,960,140 B2 11/2005 Solheim
 6,966,845 B2 11/2005 Solheim
 6,974,394 B1 * 12/2005 Tang A63B 53/0487
 473/335
 D520,584 S 5/2006 Karlson
 D521,582 S 5/2006 Souza
 7,052,411 B2 5/2006 Solheim
 D522,598 S 6/2006 Solheim
 7,077,758 B2 7/2006 Rohrer
 7,086,957 B2 8/2006 Solheim
 D527,777 S 9/2006 Solheim
 D529,108 S 9/2006 Stites
 D532,847 S 11/2006 Rollinson
 D533,243 S 12/2006 Fife
 D533,609 S * 12/2006 Moore D21/742
 7,235,021 B2 6/2007 Solheim
 D548,295 S 8/2007 Jertson
 7,255,650 B2 8/2007 Bryant
 D552,197 S 10/2007 Wells
 D564,606 S * 3/2008 Oldknow D21/736
 D565,137 S 3/2008 Oldknow
 D569,460 S 5/2008 Walker
 D569,462 S 5/2008 Rollinson
 D571,879 S 6/2008 Jones et al.
 D574,907 S 8/2008 Jones et al.
 D581,473 S 11/2008 Thomas
 D583,003 S 12/2008 Solheim

D587,325 S 2/2009 Solheim
 D594,073 S 6/2009 Kadoya
 D595,372 S 6/2009 Rollinson
 D600,760 S 9/2009 Serrano
 D600,761 S 9/2009 Solheim
 D600,762 S 9/2009 Serrano
 D607,950 S 1/2010 Souza
 D621,458 S 8/2010 Serrano
 D621,460 S 8/2010 Serrano
 D621,461 S 8/2010 Serrano
 D621,462 S 8/2010 Serrano
 D621,891 S 8/2010 Serrano
 7,803,066 B2 9/2010 Solheim
 D638,891 S 5/2011 Nicolette
 D640,341 S 6/2011 Foster
 D643,080 S 8/2011 Serrano
 D643,485 S 8/2011 Nicolette
 D643,486 S 8/2011 Serrano
 D643,487 S 8/2011 Serrano
 8,100,779 B2 1/2012 Solheim
 D653,718 S 2/2012 Stokke
 8,109,838 B2 2/2012 Solheim
 D664,617 S 7/2012 Serrano
 D715,388 S * 10/2014 Serrano D21/743
 D723,641 S 3/2015 Serrano
 D735,283 S 7/2015 Solheim
 D754,805 S 4/2016 Serrano
 D774,607 S * 12/2016 Serrano D21/743
 D774,610 S * 12/2016 Serrano D21/744
 2003/0083149 A1 5/2003 Scarpa et al.
 2005/0170904 A1 8/2005 Smeeth
 2006/0089206 A1 4/2006 Lo
 2006/0094533 A1 5/2006 Warren
 2006/0166755 A1 7/2006 Brown
 2007/0010348 A1 1/2007 Jung
 2007/0191135 A1 8/2007 Nilsson
 2008/0045353 A1 2/2008 Lo et al.
 2010/0048321 A1 2/2010 Beach et al.
 2010/0222155 A1 9/2010 Jones et al.
 2010/0227704 A1 9/2010 Souza
 2014/0179459 A1 6/2014 Schartiger et al.
 2015/0360099 A1 12/2015 Ban et al.

FOREIGN PATENT DOCUMENTS

GB 2133295 A 7/1984
 JP 2001137400 A 5/2001

OTHER PUBLICATIONS

Cx1, <http://cureputters.com/products/cx1> , Date Accessed: Dec. 13, 2016.

* cited by examiner

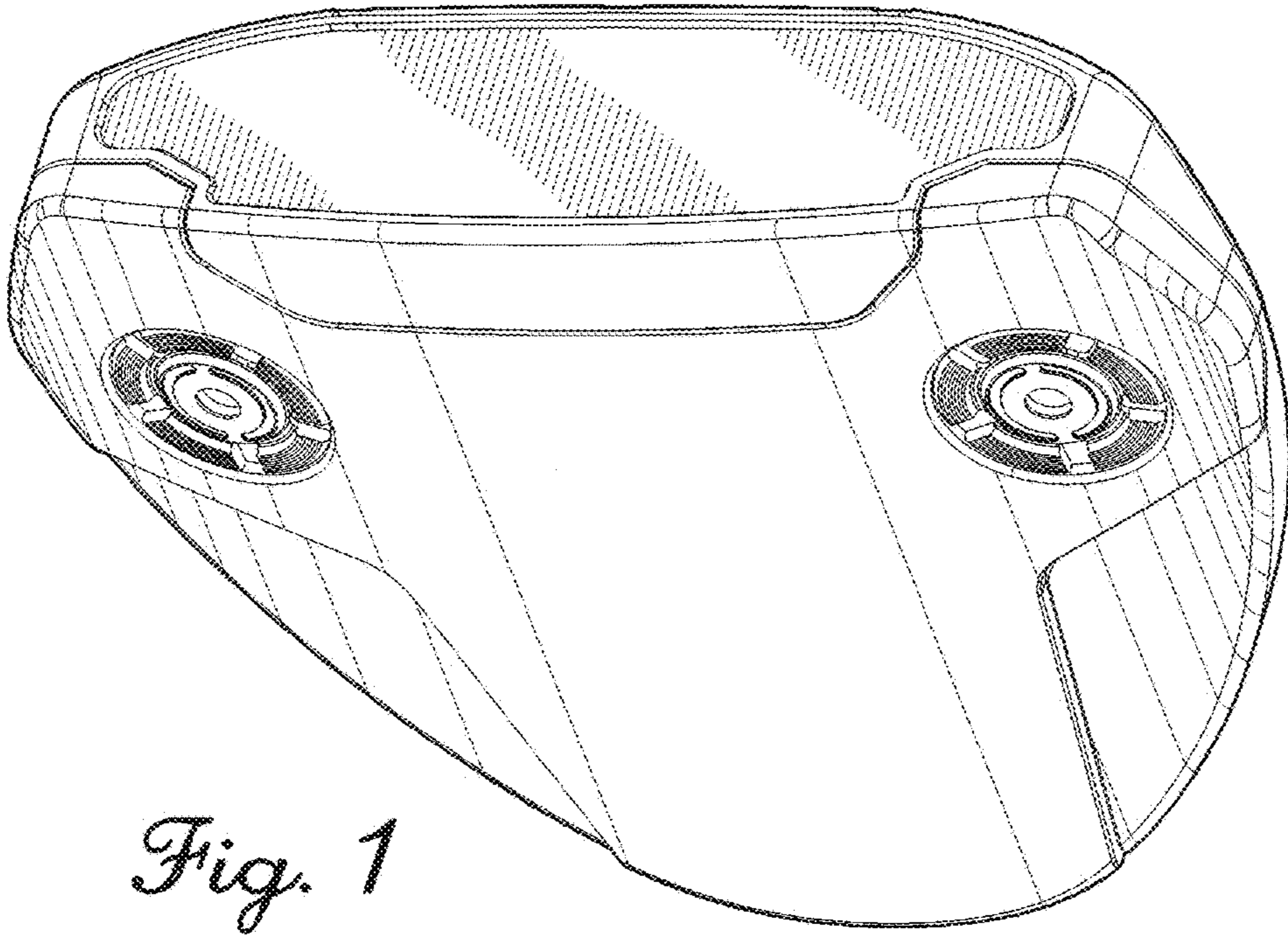


Fig. 1

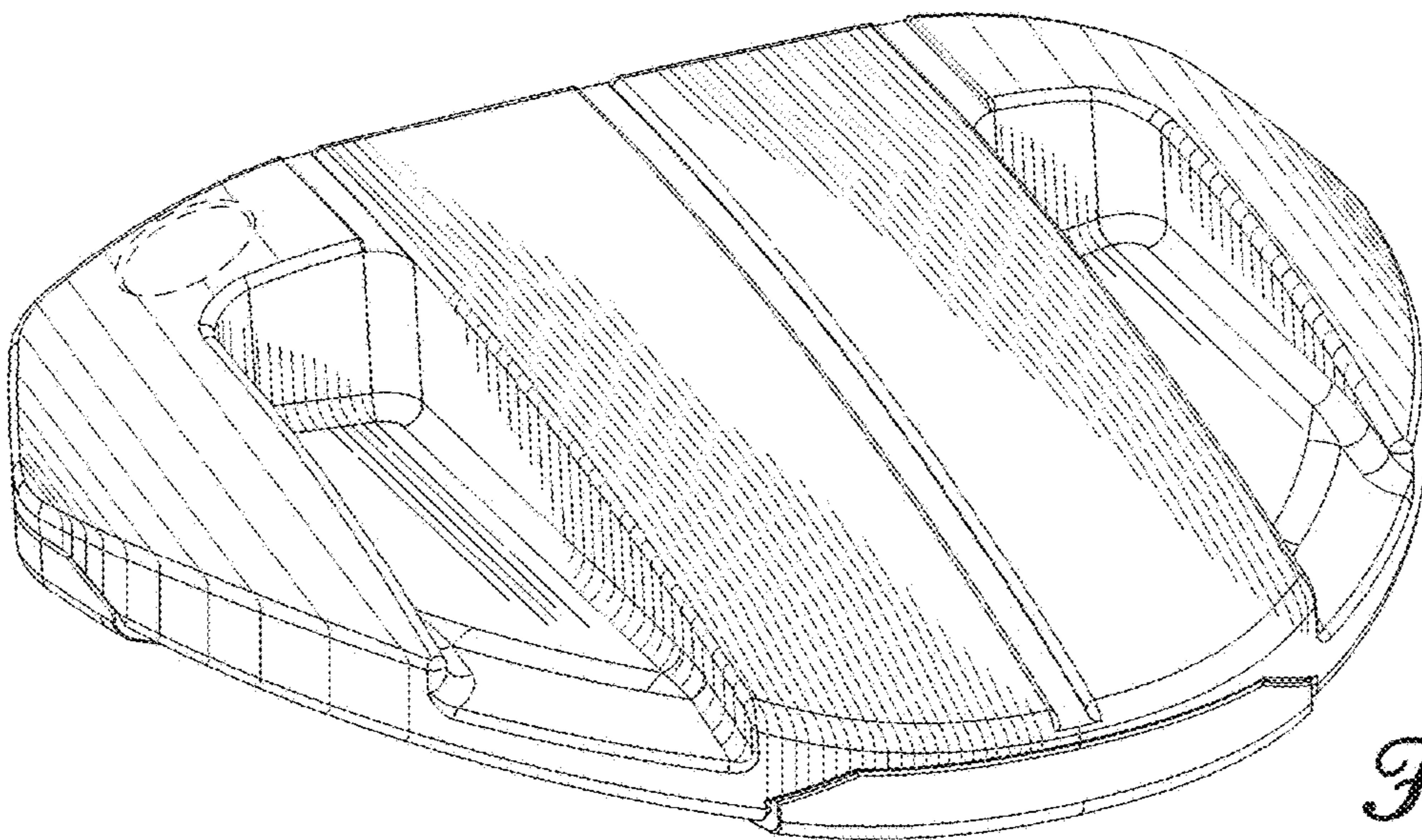


Fig. 2

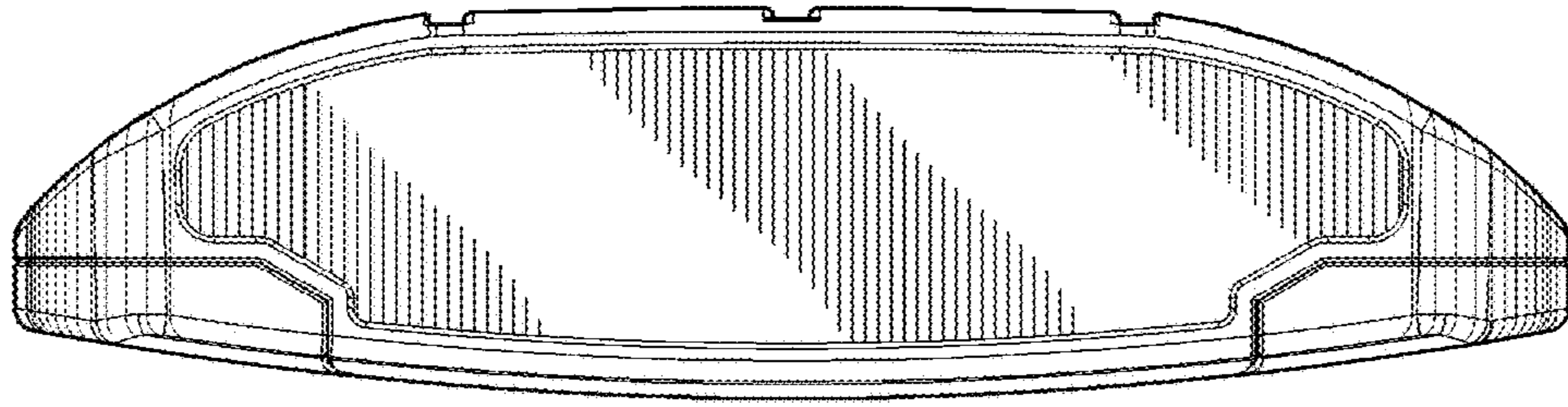


Fig. 3

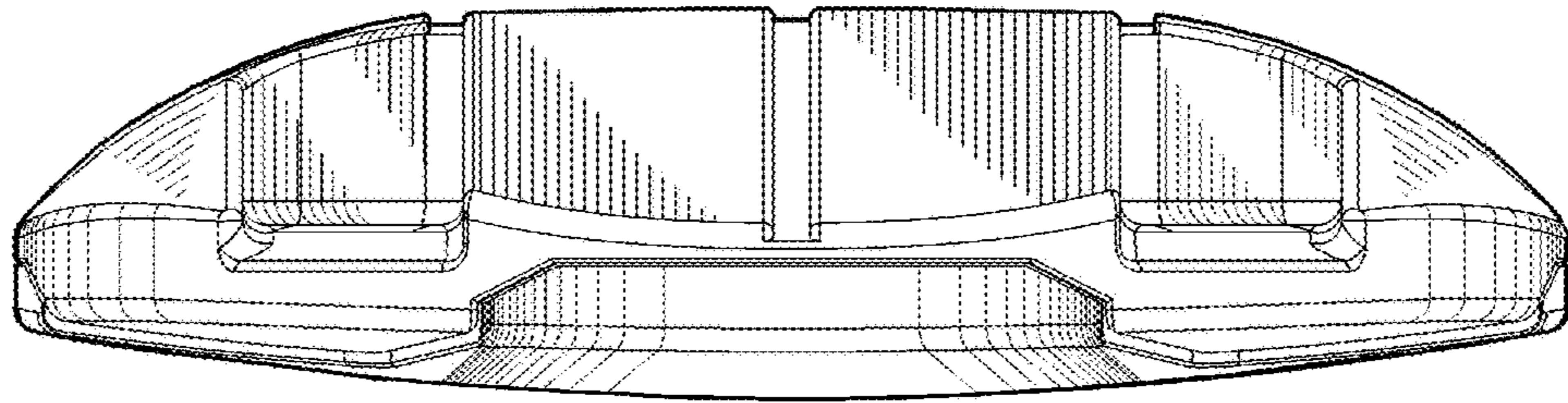


Fig. 4

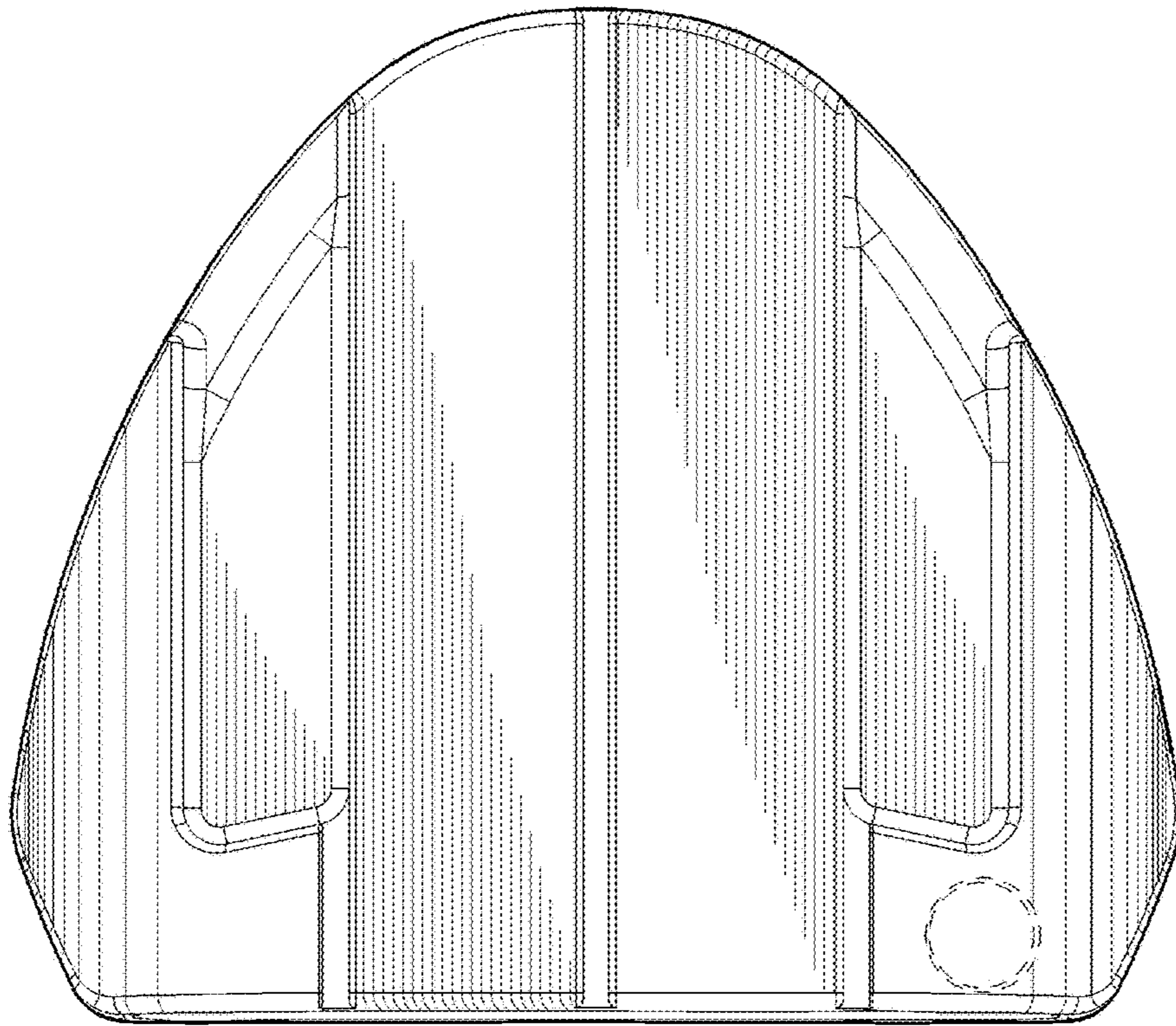


Fig. 5

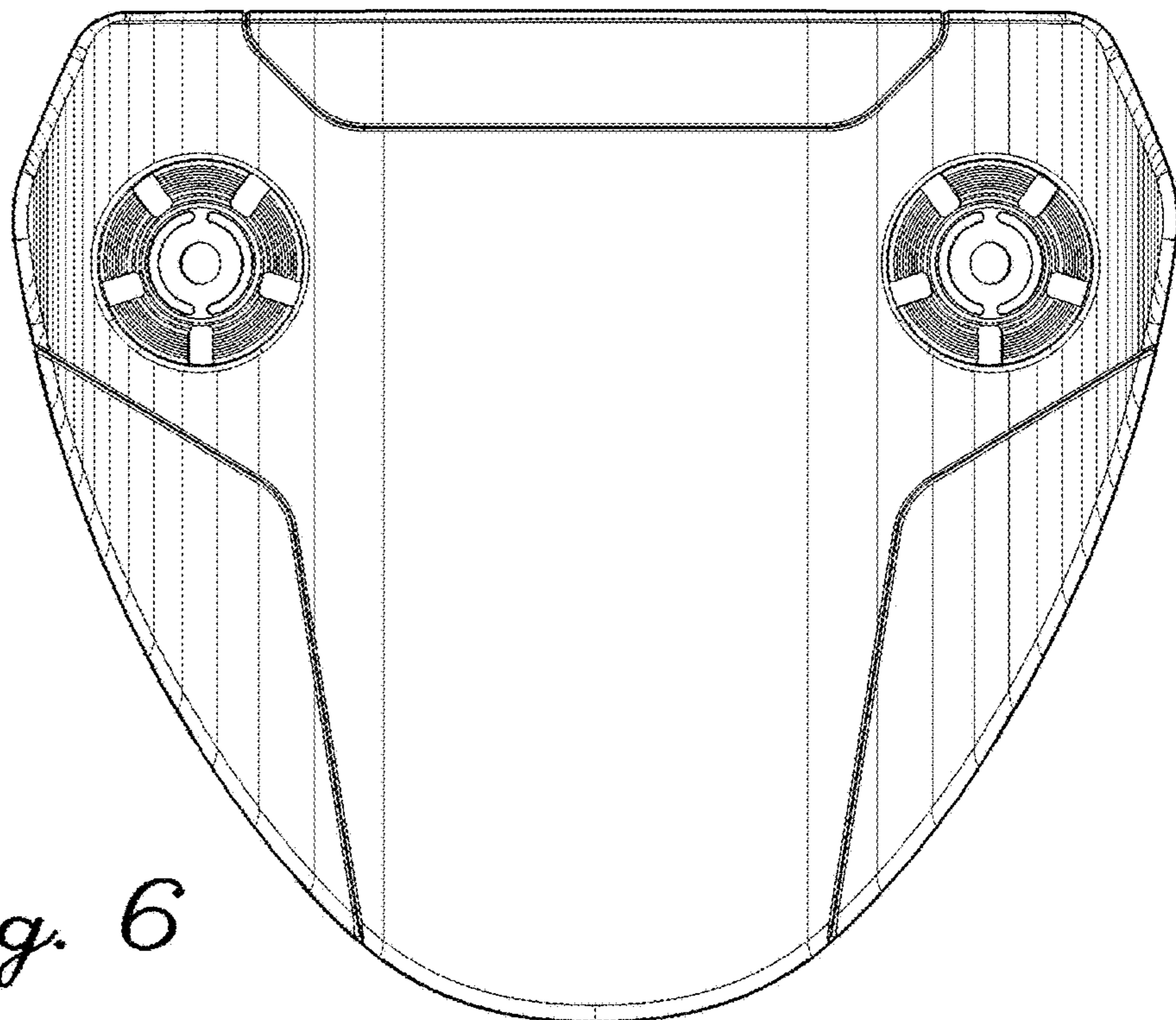


Fig. 6

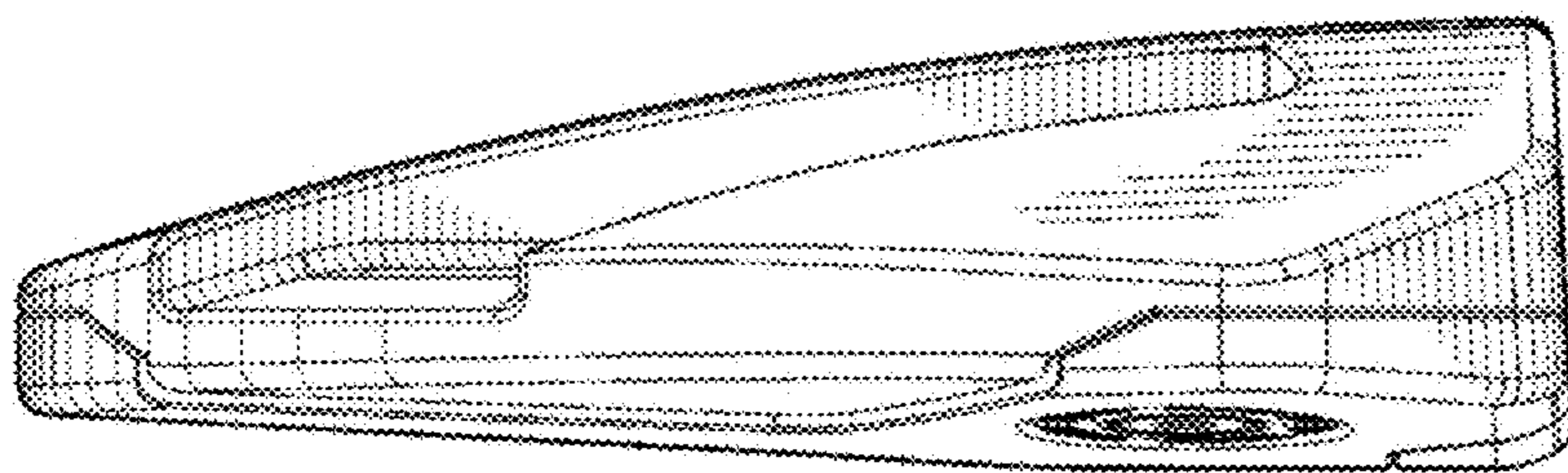


Fig. 7



Fig. 8

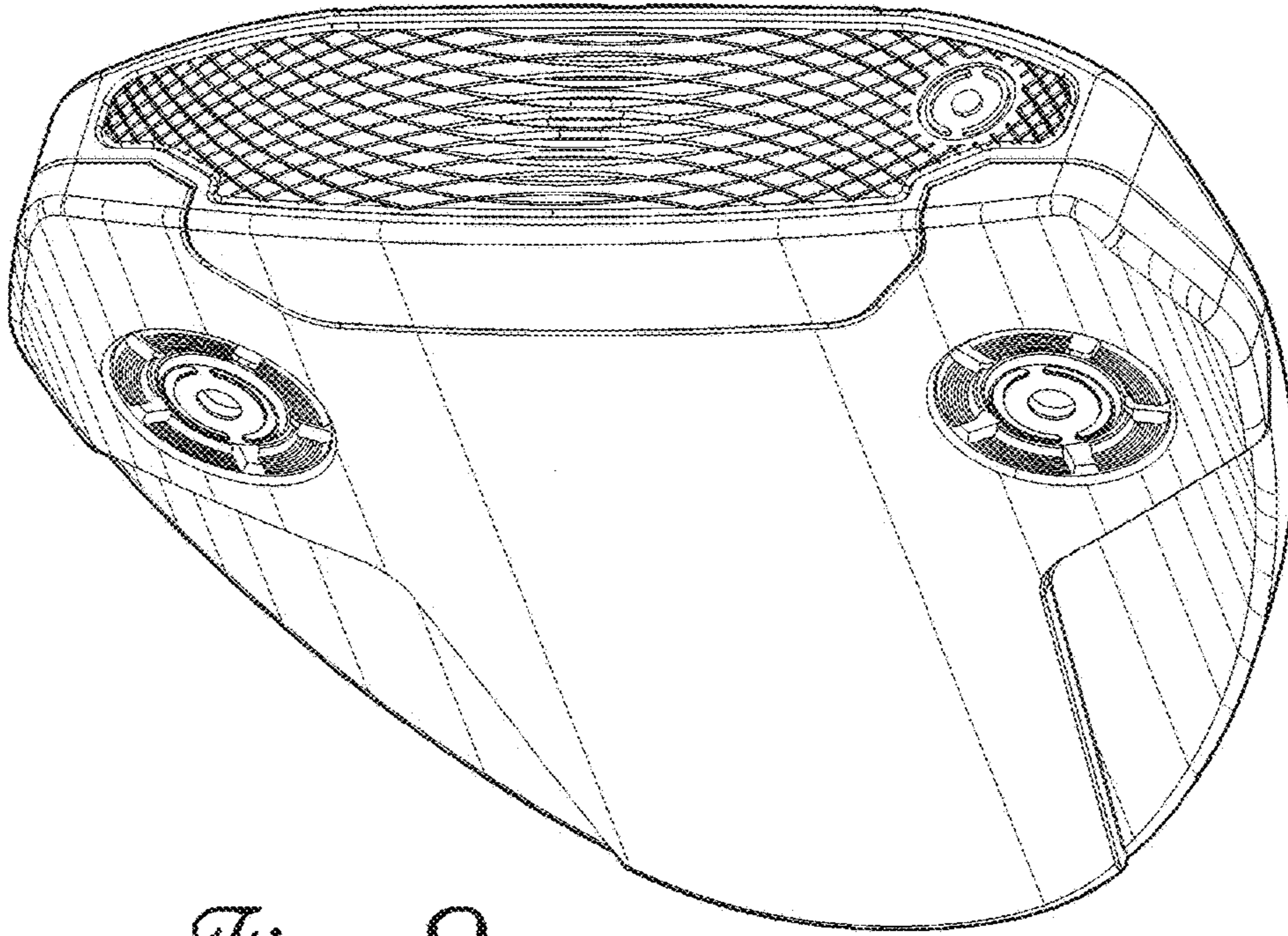


Fig. 9

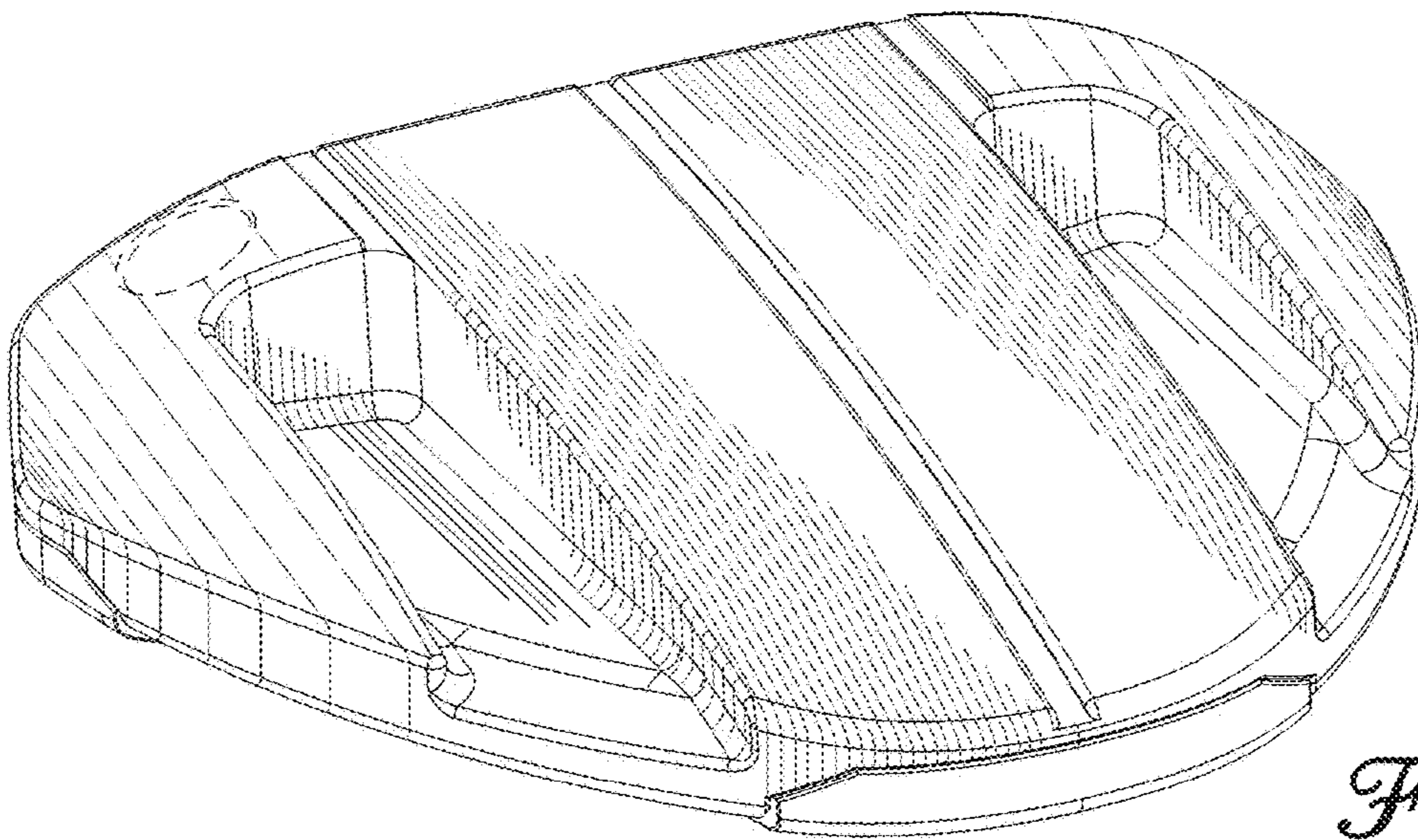


Fig. 10

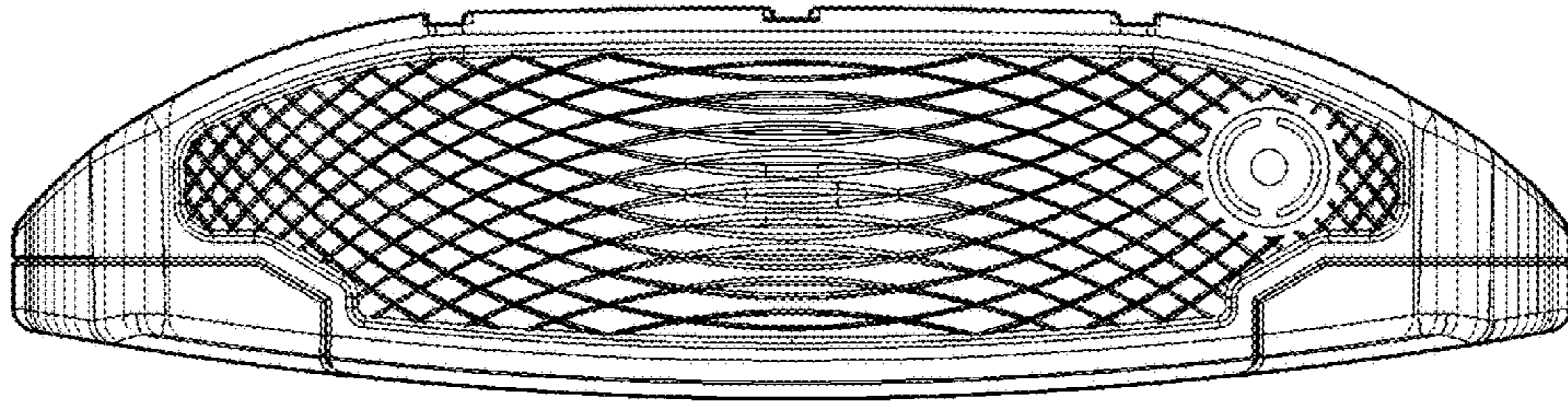


Fig. 11

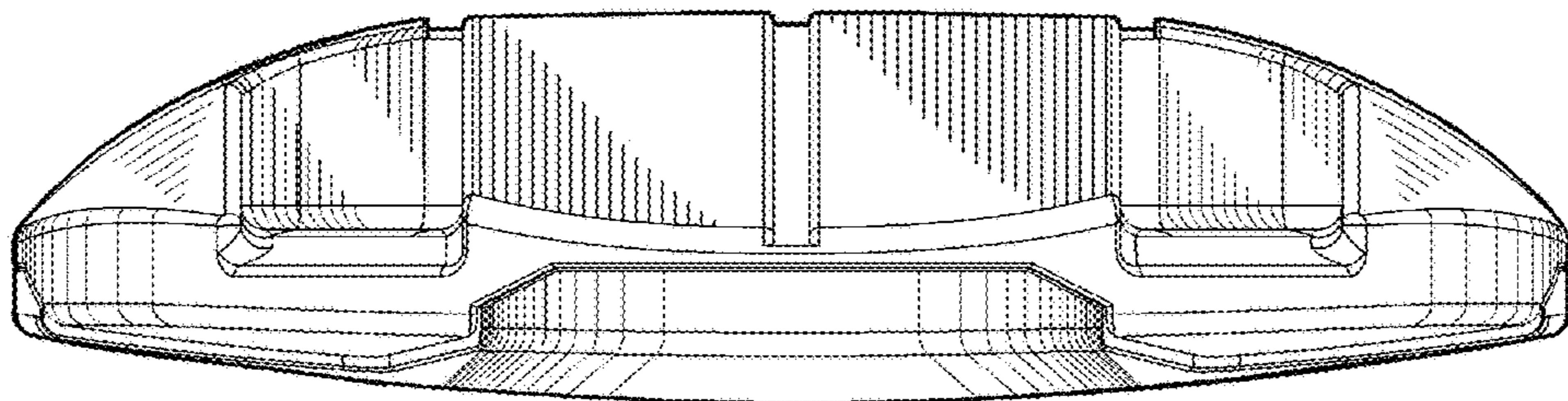


Fig. 12

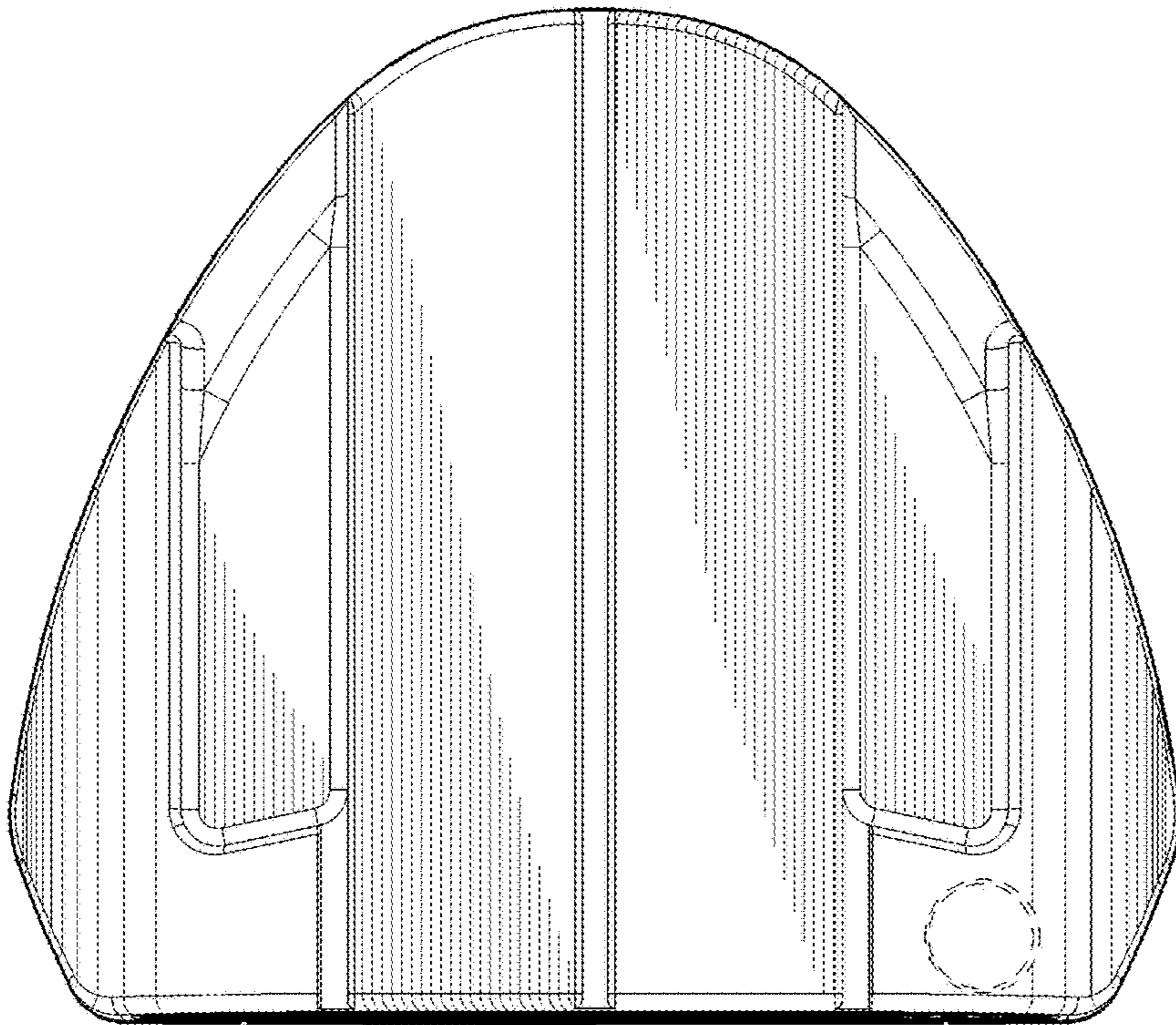


Fig. 13

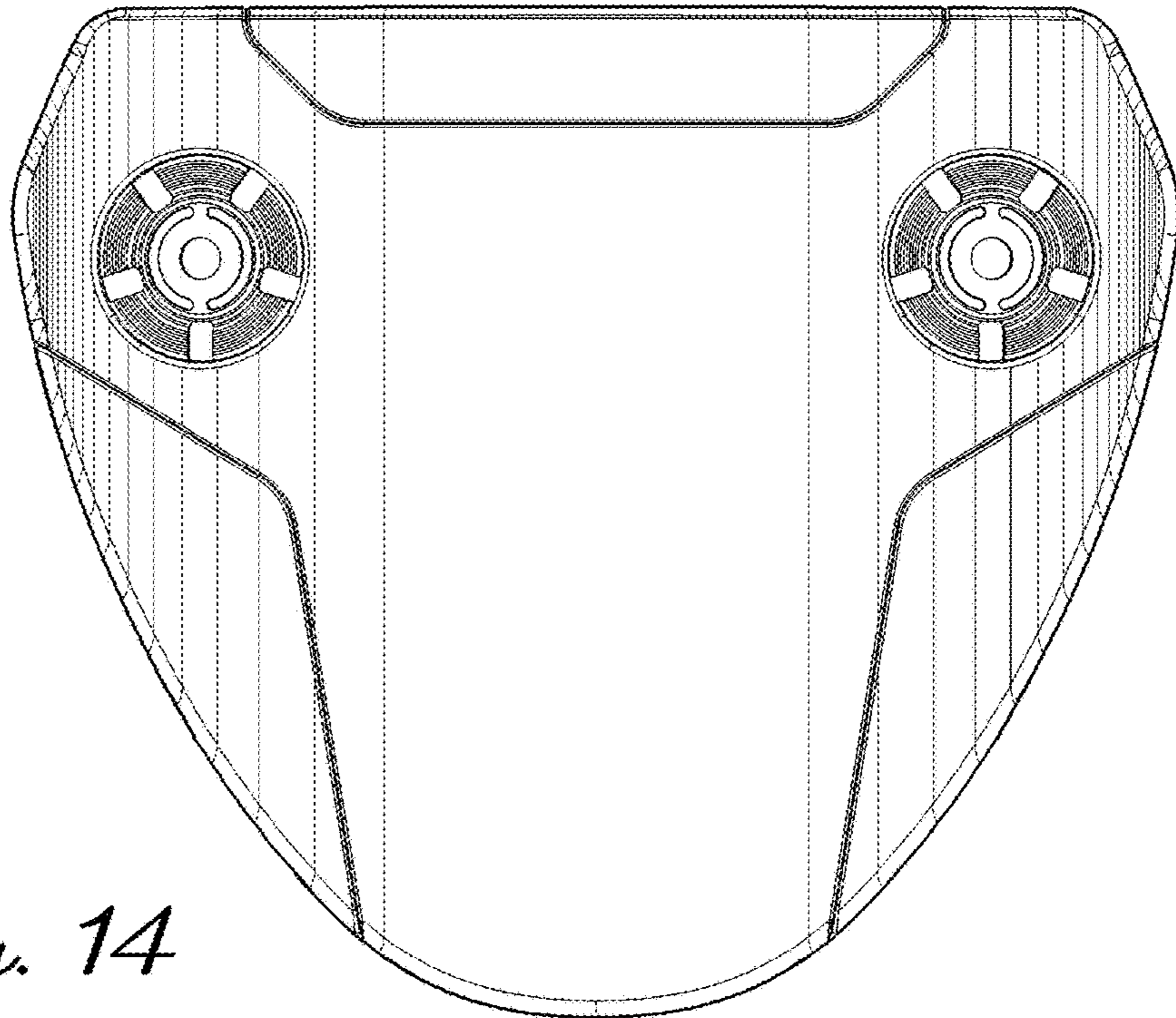


Fig. 14

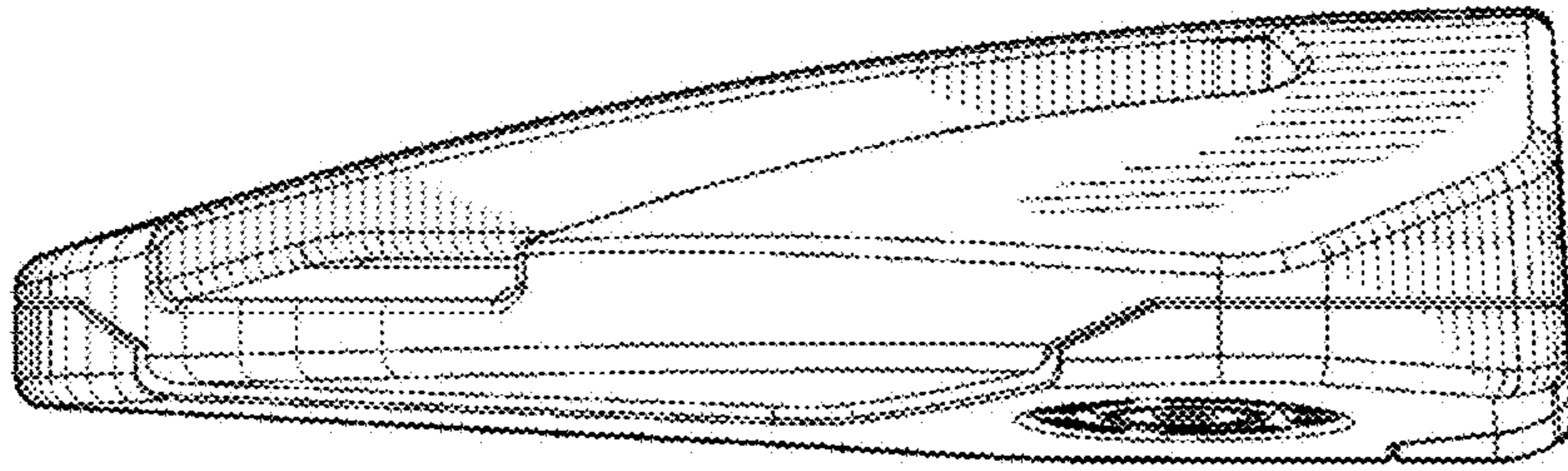


Fig. 15

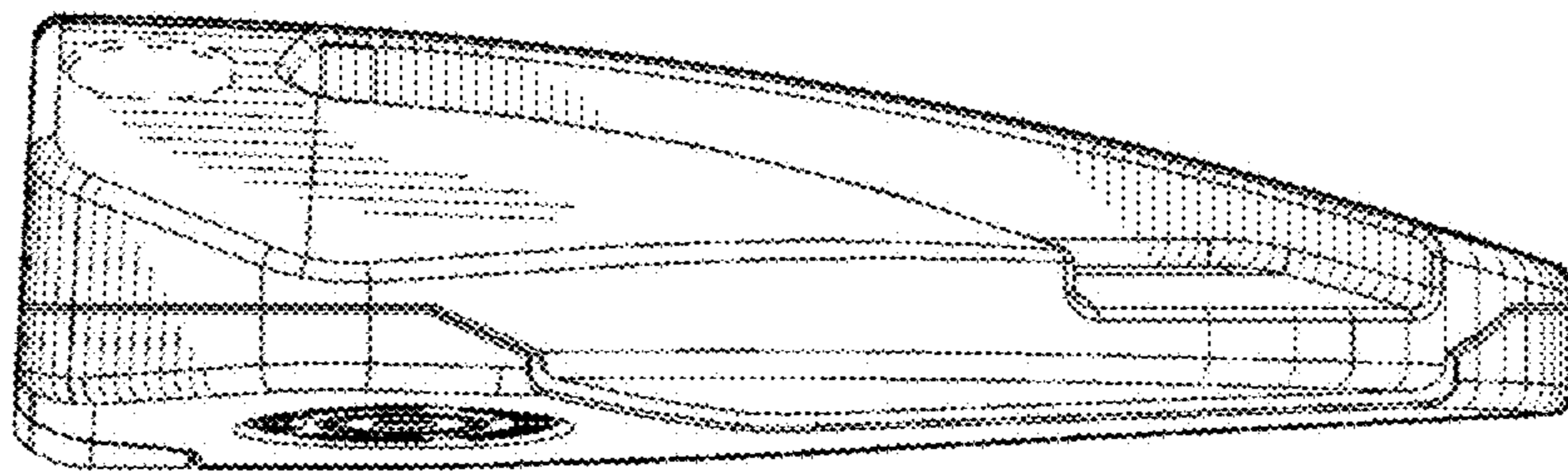


Fig. 16