



US00D840481S

(12) **United States Design Patent** (10) **Patent No.:** **US D840,481 S**
Pryce (45) **Date of Patent:** **** Feb. 12, 2019**

(54) **EXERCISE MAT**
(71) Applicant: **DanceBody, LLC**, New York, NY (US)
(72) Inventor: **Kathryn Pryce**, New York, NY (US)
(73) Assignee: **DanceBody, LLC**, New York, NY (US)
(**) Term: **15 Years**
(21) Appl. No.: **29/601,393**

D738,444 S * 9/2015 Hilson D21/662
D779,675 S * 2/2017 Chapman D24/188
D779,676 S * 2/2017 Chapman D24/188
2002/0103032 A1 * 8/2002 Chiu A63B 22/18
472/26
2003/0032533 A1 * 2/2003 Hecox A63B 22/18
482/127
2005/0130814 A1 * 6/2005 Nitta A63B 1/00
482/121
2011/0143896 A1 * 6/2011 Senegal A63B 22/18
482/139

(22) Filed: **Apr. 21, 2017**
(51) **LOC (11) Cl.** **21-02**
(52) **U.S. Cl.**
USPC **D21/686**
(58) **Field of Classification Search**
USPC D21/686, 662, 671, 688, 694, 333, 698,
D21/699, 689, 687; D6/582, 591, 583,
D6/588, 589, 592, 685, 707.22, 587, 608,
D6/604, 601; 482/30, 52, 74, 23, 909,
482/148, 139, 146, 34, 93, 51, 66, 79,
482/132, 141, 172; D25/138, 62; 5/417;
D30/118; D19/9, 10; D24/188, 125
CPC A63B 21/4037; A63B 23/0458; A63B
2210/50; A63B 22/0664; A63B 22/001;
A63B 2208/0204; A63B 6/00; A47G
27/0237
See application file for complete search history.

OTHER PUBLICATIONS

Hex Mat by Dancebody dated no date given. Found online [Mar. 30, 2018].*
Power Systems by Power Systems dated Feb. 22, 2016. Found online [Mar. 30, 2018] https://www.amazon.com/Power-Systems-Single-Premium-Hanging/dp/B00S4LK2WI/ref=cm_cr_arp_d_product_top?ie=UTF8.*

* cited by examiner

Primary Examiner — Philip S Hyder
Assistant Examiner — Ryan Harvey
(74) *Attorney, Agent, or Firm* — Lerner, David, Littenberg, Krumholz & Mentlik, LLP

(57) **CLAIM**

The ornamental design for an exercise mat, as shown and described.

(56) **References Cited**

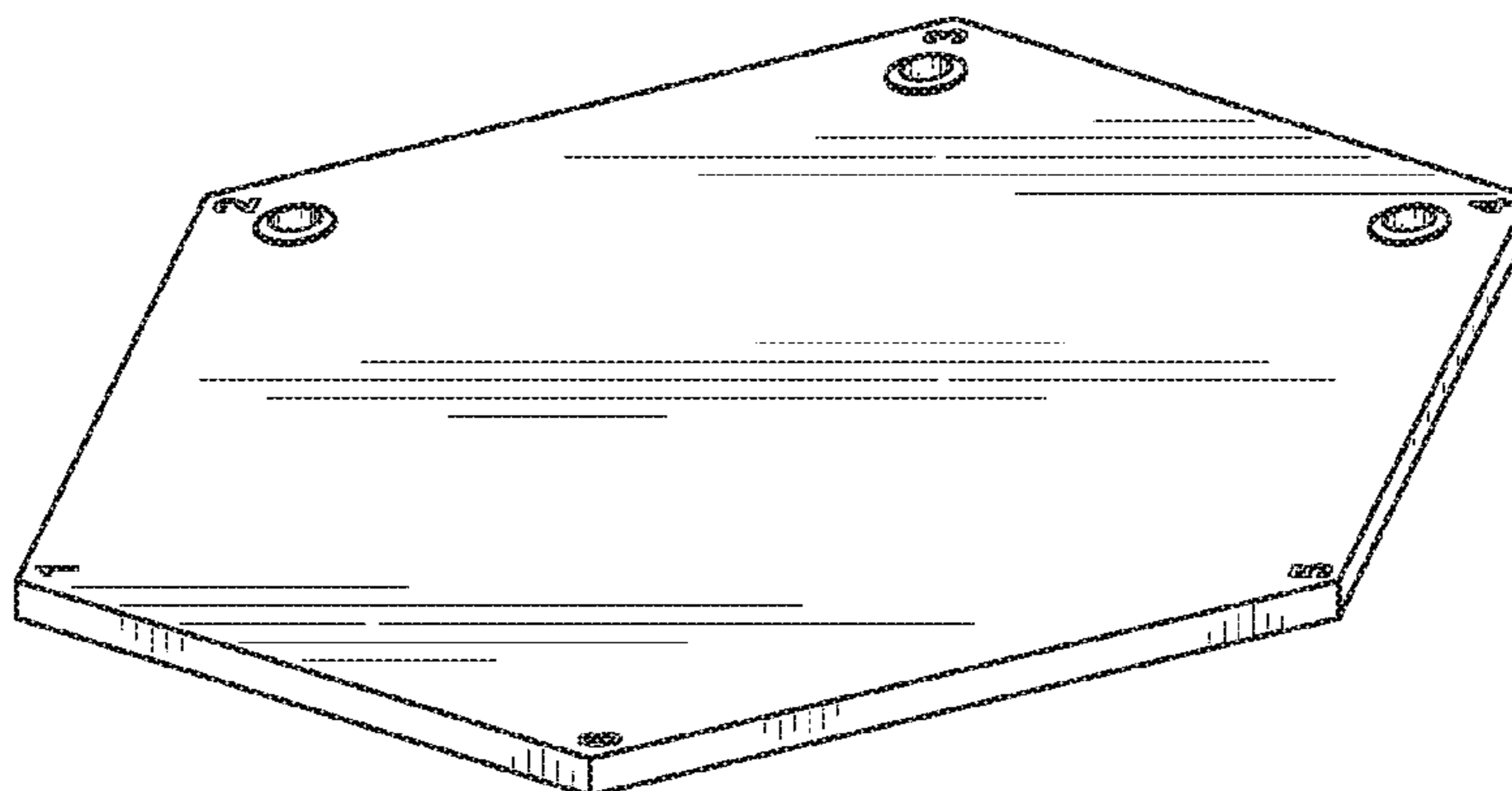
U.S. PATENT DOCUMENTS

5,647,830 A * 7/1997 Togao A63B 21/0004
482/146
D414,643 S * 10/1999 Phua D6/582
D489,423 S * 5/2004 Fan D21/688
D493,500 S * 7/2004 Dalebout D21/671
D493,855 S * 8/2004 Dalebout D21/694
D505,460 S * 5/2005 Dalebout D21/671
D586,867 S * 2/2009 Wu D21/662
D660,928 S * 5/2012 Guarrasi D21/686
D681,738 S * 5/2013 Richmond D20/42

DESCRIPTION

FIG. 1 is a front perspective view of an exercise mat design according to my design;
FIG. 2 is a front elevational view thereof;
FIG. 3 is a rear elevational view thereof;
FIG. 4 is a right side elevational view thereof;
FIG. 5 is a left side elevational view thereof;
FIG. 6 is a top plan view thereof; and,
FIG. 7 is a bottom plan view thereof.

1 Claim, 3 Drawing Sheets



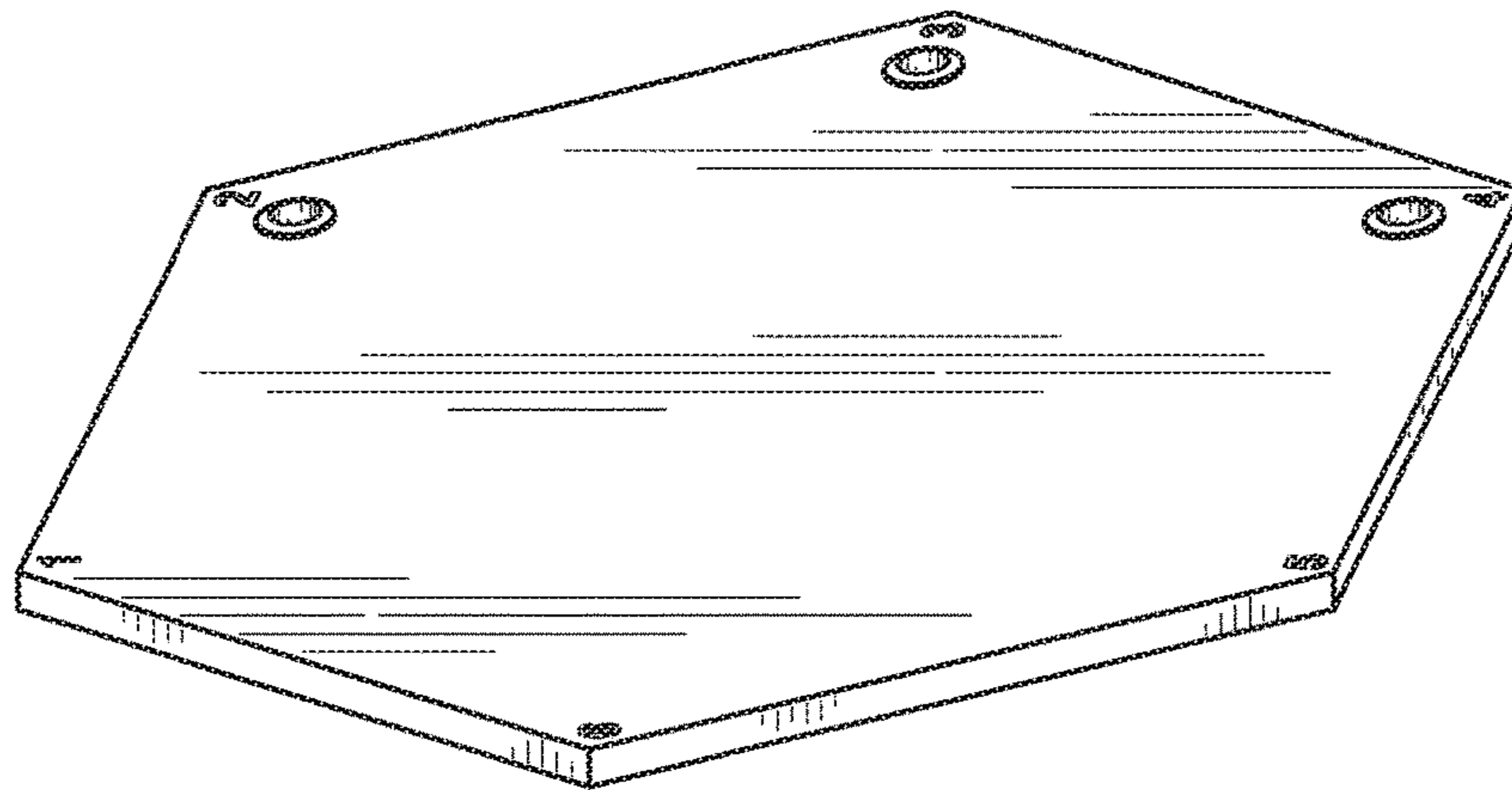


FIG. 1

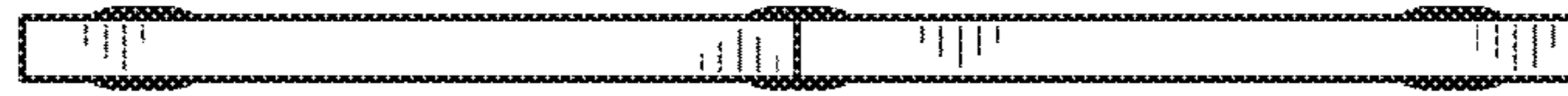


FIG. 2



FIG. 3

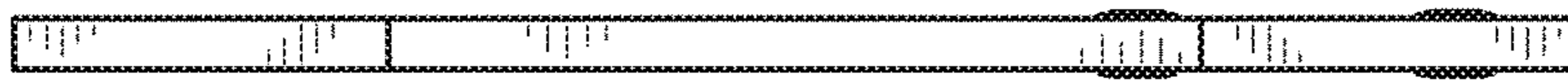


FIG. 4



FIG. 5

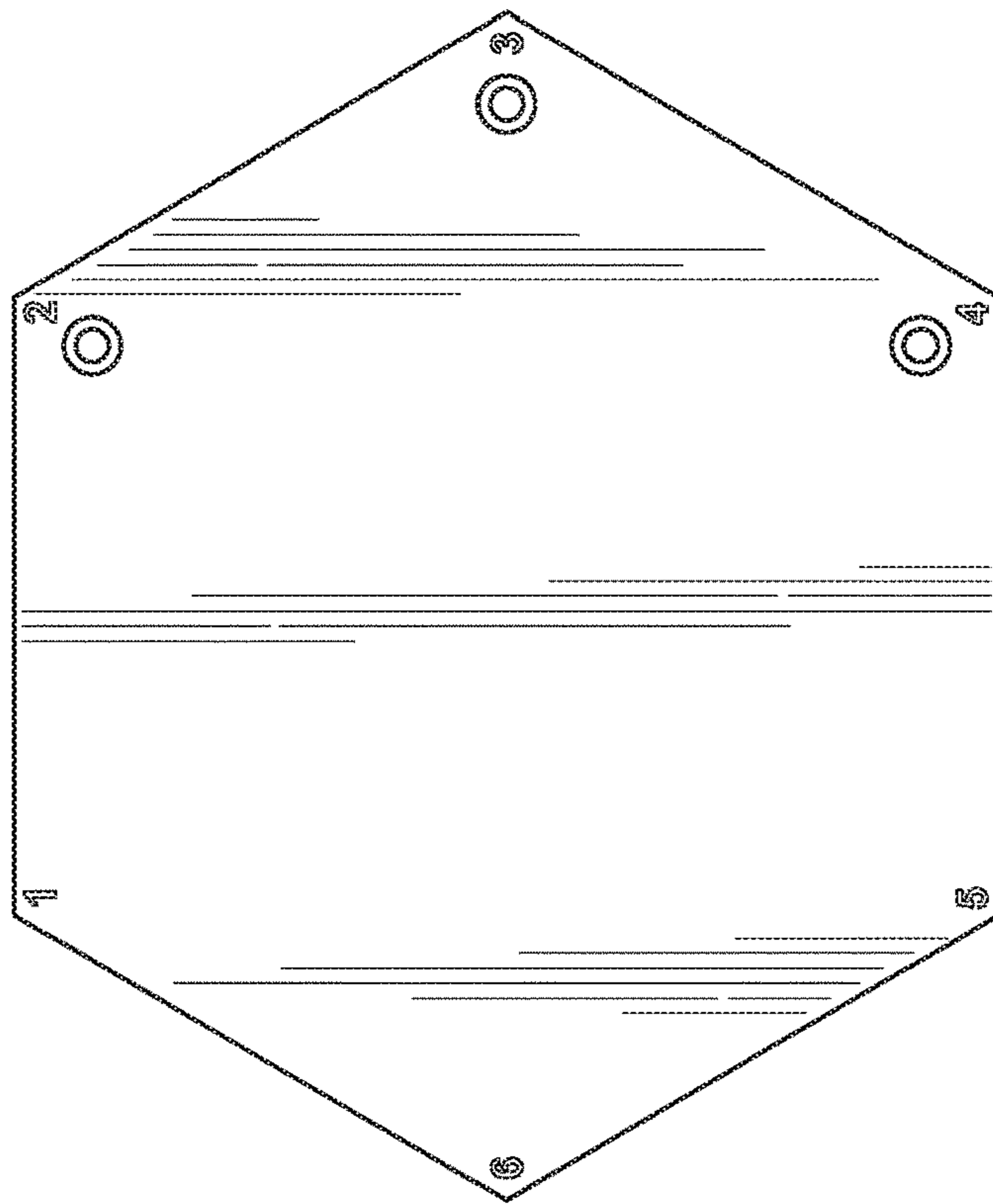


FIG. 6

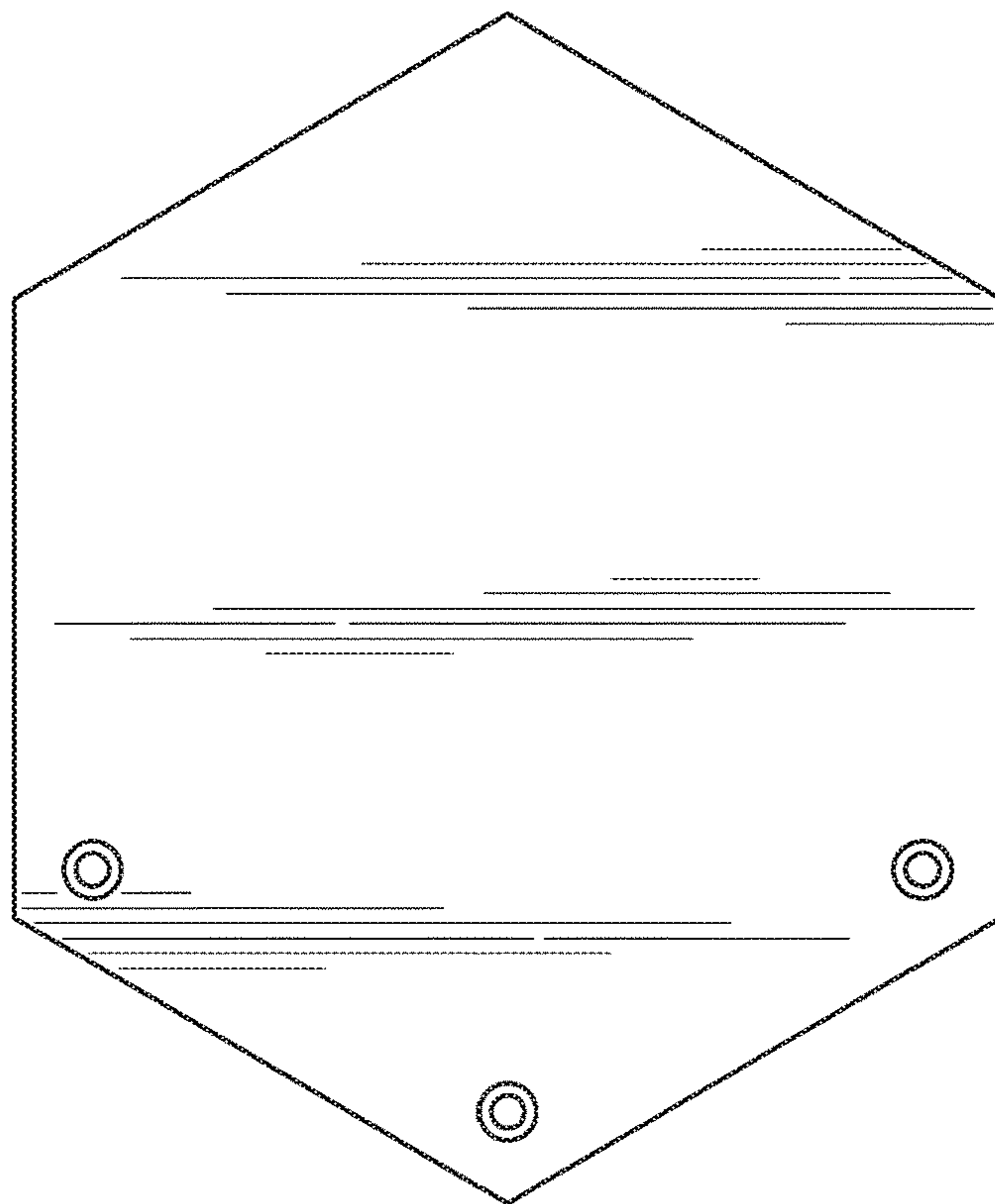


FIG. 7