



US00D840480S

(12) **United States Design Patent**  
**Mercenari Uribe**

(10) **Patent No.:** **US D840,480 S**  
(45) **Date of Patent:** **\*\* Feb. 12, 2019**

(54) **FOLDING EXERCISER EQUIPMENT**

D348,496 S \* 7/1994 Lertyaovarit ..... D21/670  
D355,228 S \* 2/1995 Hung ..... D21/670  
7,201,704 B2 \* 4/2007 Stearns ..... A63B 22/0007  
482/52

(71) Applicant: **Fernando Humberto Mercenari**  
**Uribe, Mexico City (MX)**

D759,169 S \* 6/2016 Humberto Mercenari Uribe .....  
D21/670

(72) Inventor: **Fernando Humberto Mercenari**  
**Uribe, Mexico City (MX)**

2012/0077645 A1 \* 3/2012 Lee ..... A63B 22/001  
482/52

(\*\*) Term: **15 Years**

**OTHER PUBLICATIONS**

(21) Appl. No.: **29/587,043**

Amazon "Maxi Climber Vertical Climber" [https://www.amazon.com/Maxi-Climber-MXC-Vertical/dp/B00K6ZURAW/ref=cm\\_cr\\_ar\\_p\\_d\\_img\\_sims?ie=UTF](https://www.amazon.com/Maxi-Climber-MXC-Vertical/dp/B00K6ZURAW/ref=cm_cr_ar_p_d_img_sims?ie=UTF). Jan. 22, 2015. Item: MXC.\*

(22) Filed: **Dec. 9, 2016**

\* cited by examiner

(30) **Foreign Application Priority Data**

Jun. 10, 2016 (MX) ..... f/2016/001822  
Jun. 10, 2016 (MX) ..... f/2016/001823  
Jun. 10, 2016 (MX) ..... f/2016/001824  
Jun. 10, 2016 (MX) ..... f/2016/001825

*Primary Examiner* — Cynthia Ramirez  
*Assistant Examiner* — Michael A Maharajh  
(74) *Attorney, Agent, or Firm* — The Webb Law Firm

(51) **LOC (11) Cl.** ..... **21-02**

(57) **CLAIM**

(52) **U.S. Cl.**

The ornamental design for a folding exerciser equipment, as shown and described.

USPC ..... **D21/670**

**DESCRIPTION**

(58) **Field of Classification Search**

USPC ... 482/140, 141, 142, 143, 144, 145, 51, 52,  
482/54, 56, 57, 63-66, 70, 71, 74-76, 80;  
D21/662, 663, 664, 665, 666, 667, 668,  
D21/669, 670, 671, 694, 697  
CPC ..... A63B 25/00; A63B 22/14; A63B 22/0015;  
A63B 23/047

FIG. 1 is a front elevation view of a folding exerciser equipment showing my new design;  
FIG. 2 is a rear elevation view thereof;  
FIG. 3 is a left side elevation view thereof, the right side elevation view being a mirror image thereof;  
FIG. 4 is a top view thereof;  
FIG. 5 is a bottom view thereof;  
FIG. 6 is a front perspective view thereof; and,  
FIG. 7 is a rear perspective view thereof.

See application file for complete search history.

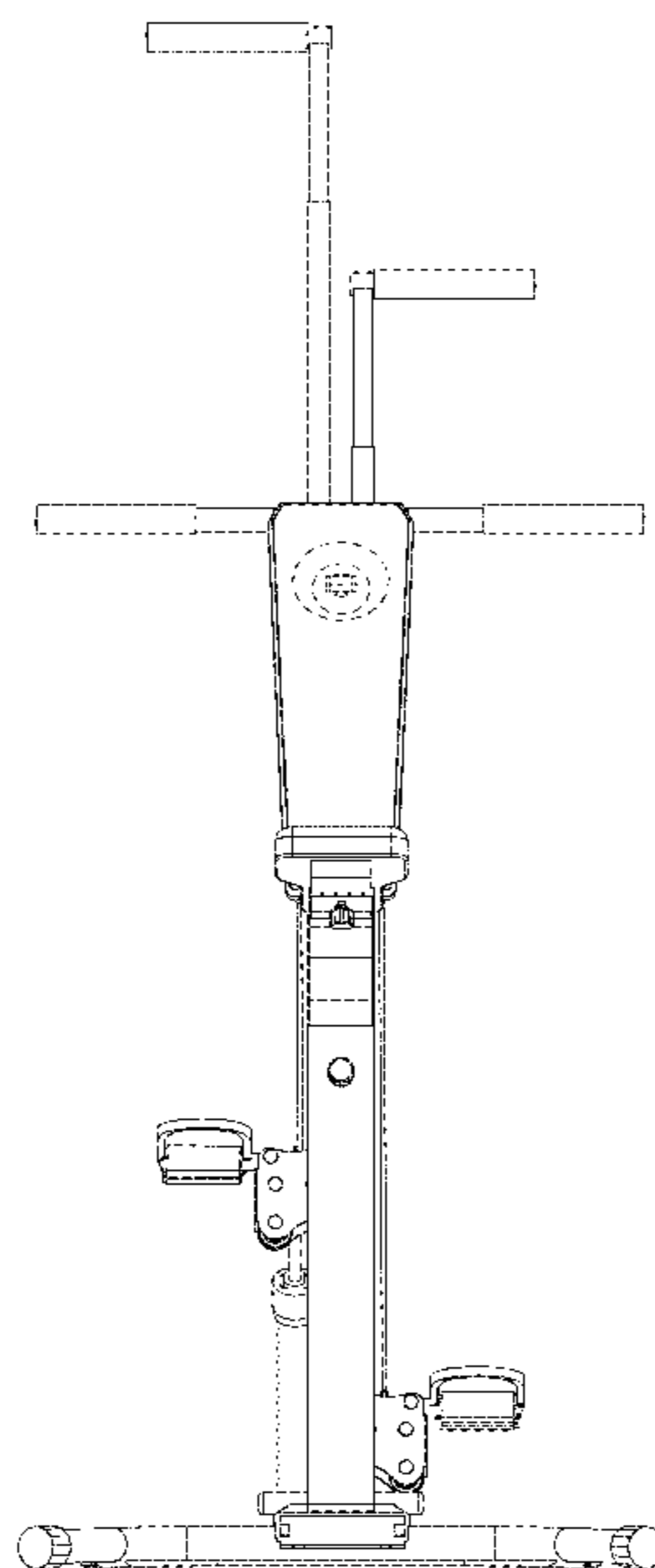
The broken lines shown in the figures are for the purpose of illustrating portions of the folding exerciser equipment, which form no part of the claimed design.

(56) **References Cited**

**U.S. PATENT DOCUMENTS**

D319,275 S \* 8/1991 Hurt ..... D21/670  
D323,008 S \* 1/1992 Wang ..... D21/670  
D329,478 S \* 9/1992 Wang ..... D21/670

**1 Claim, 7 Drawing Sheets**



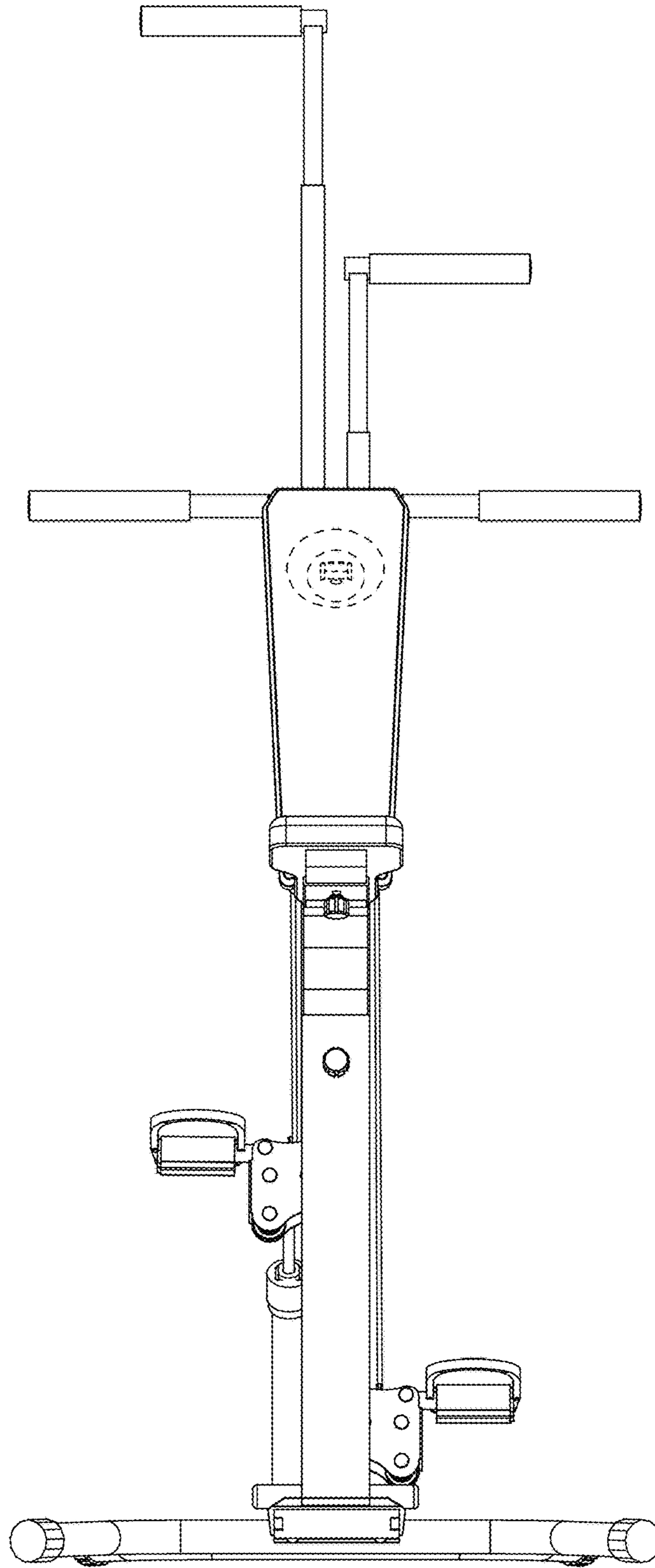


FIG. 1

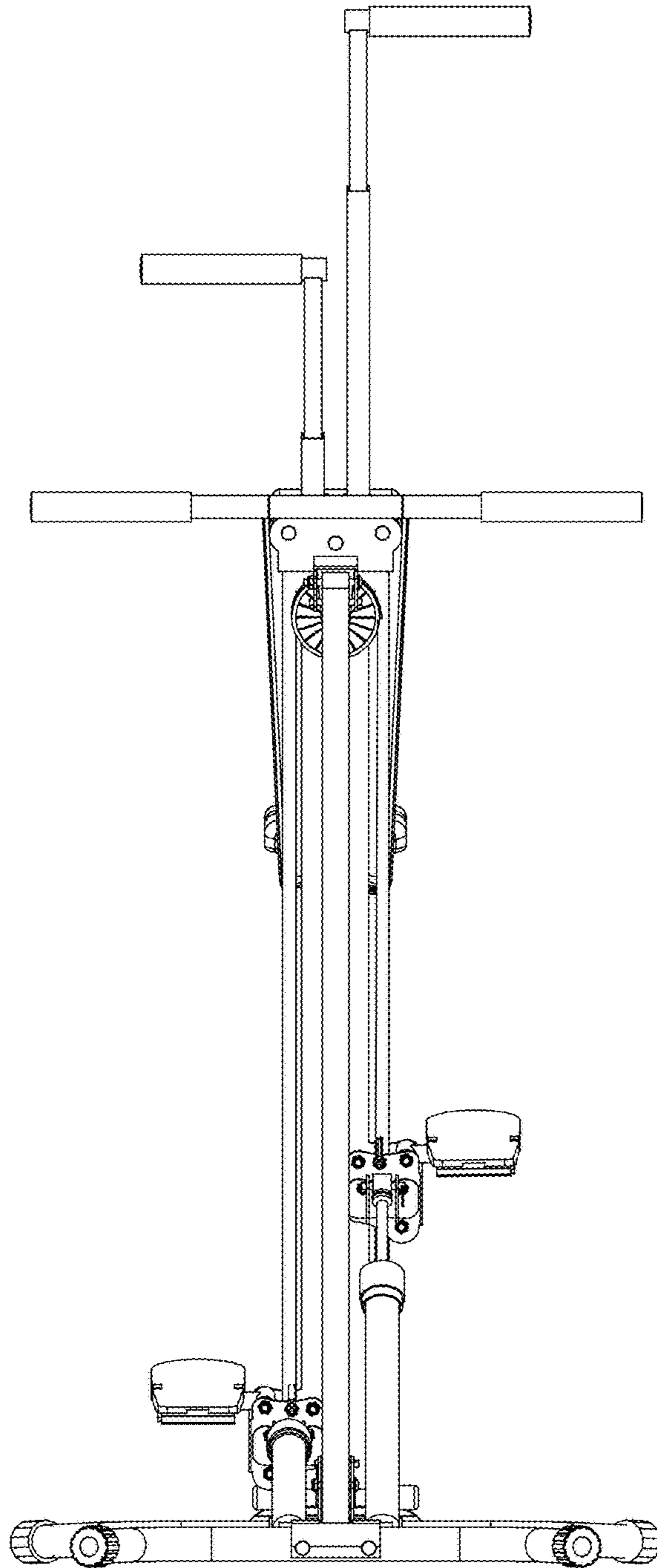


FIG. 2

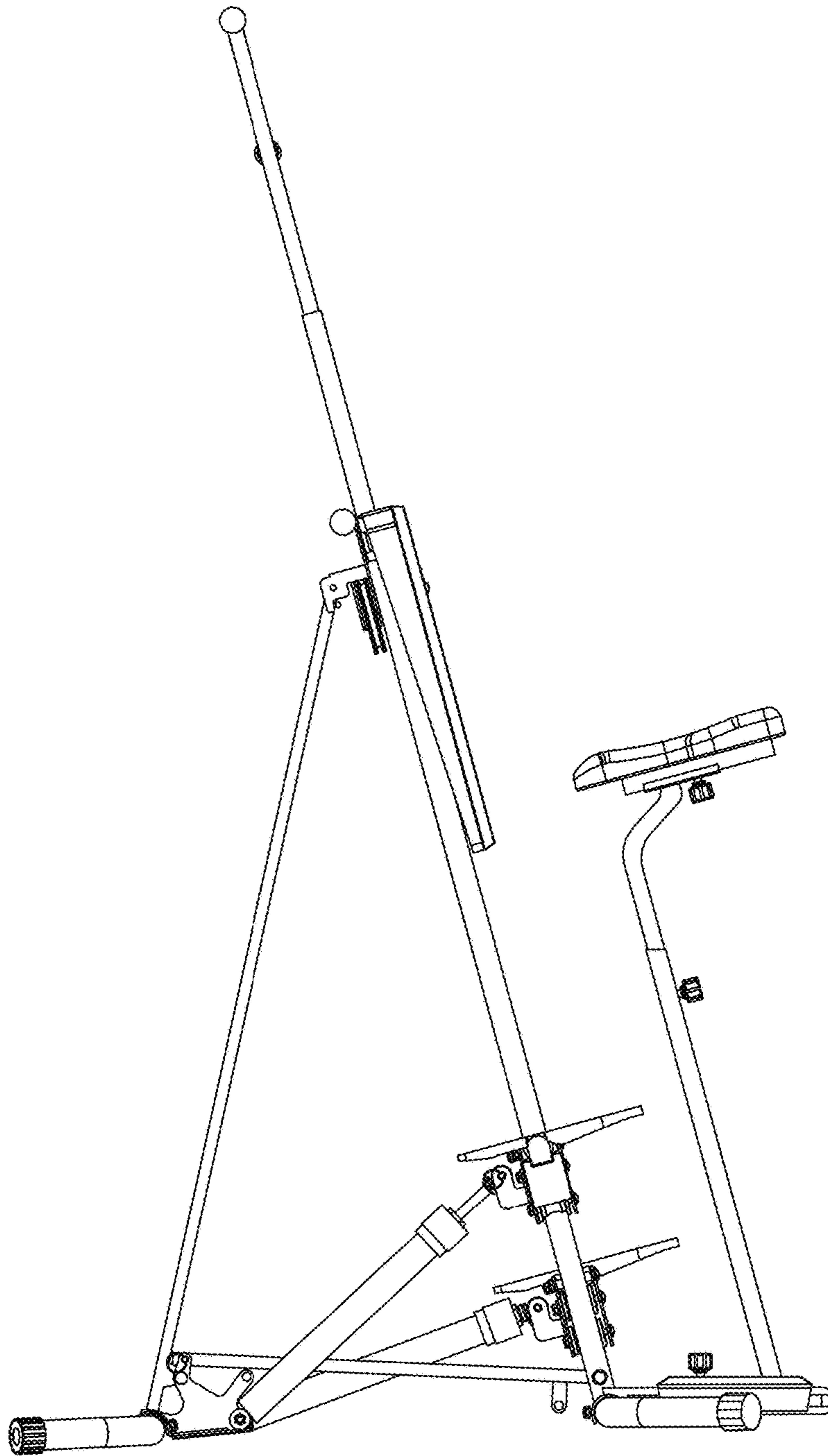


FIG. 3

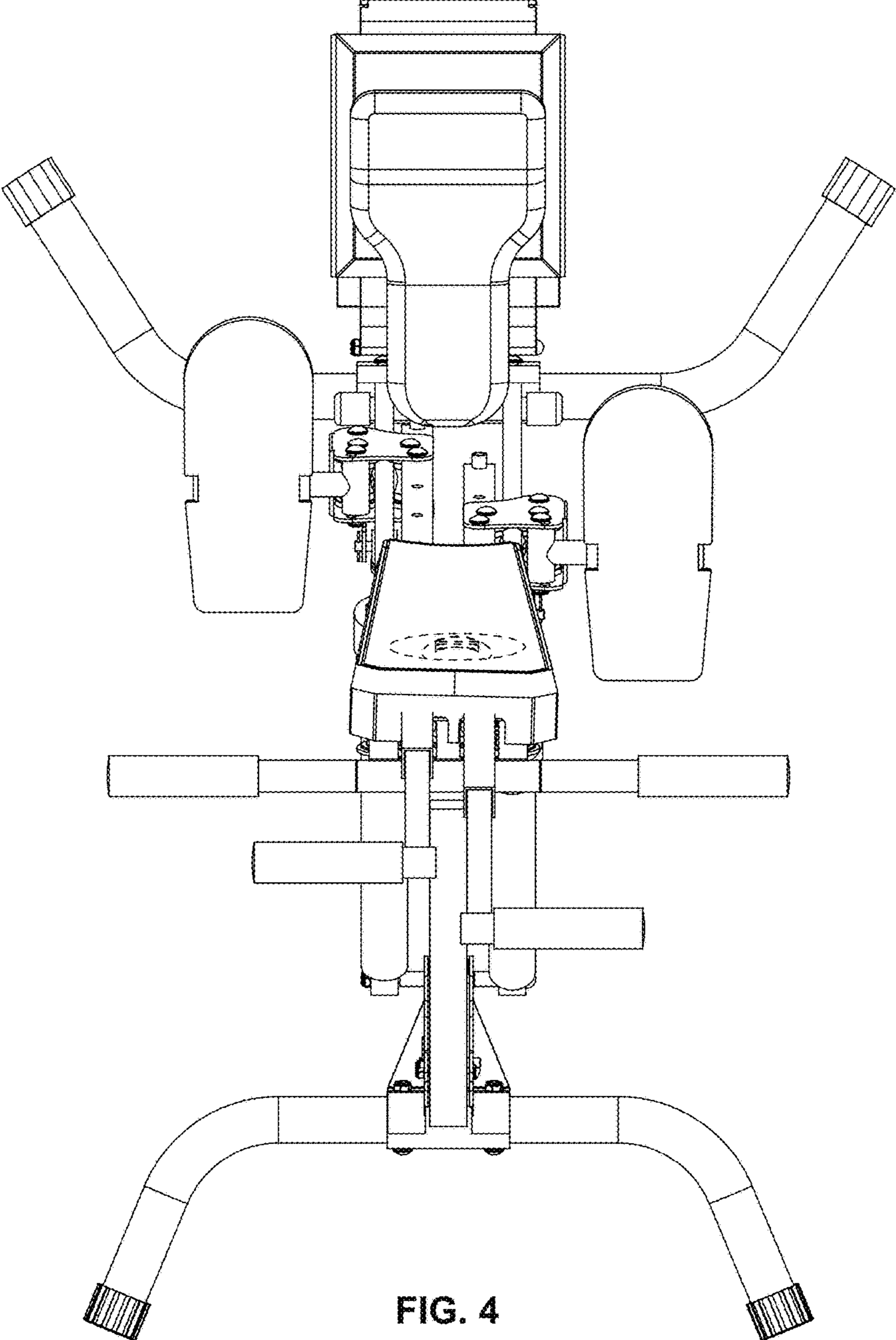


FIG. 4

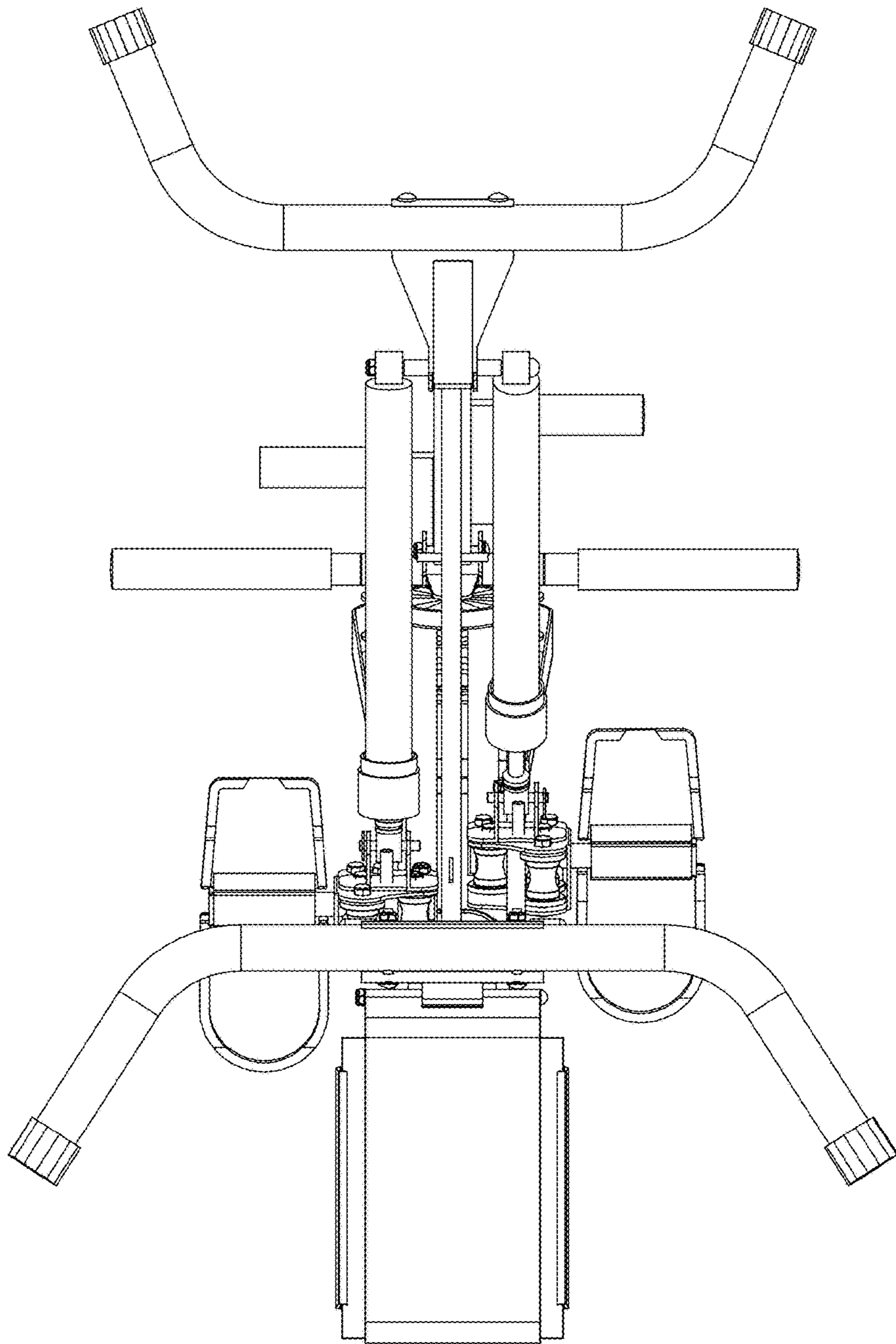


FIG. 5

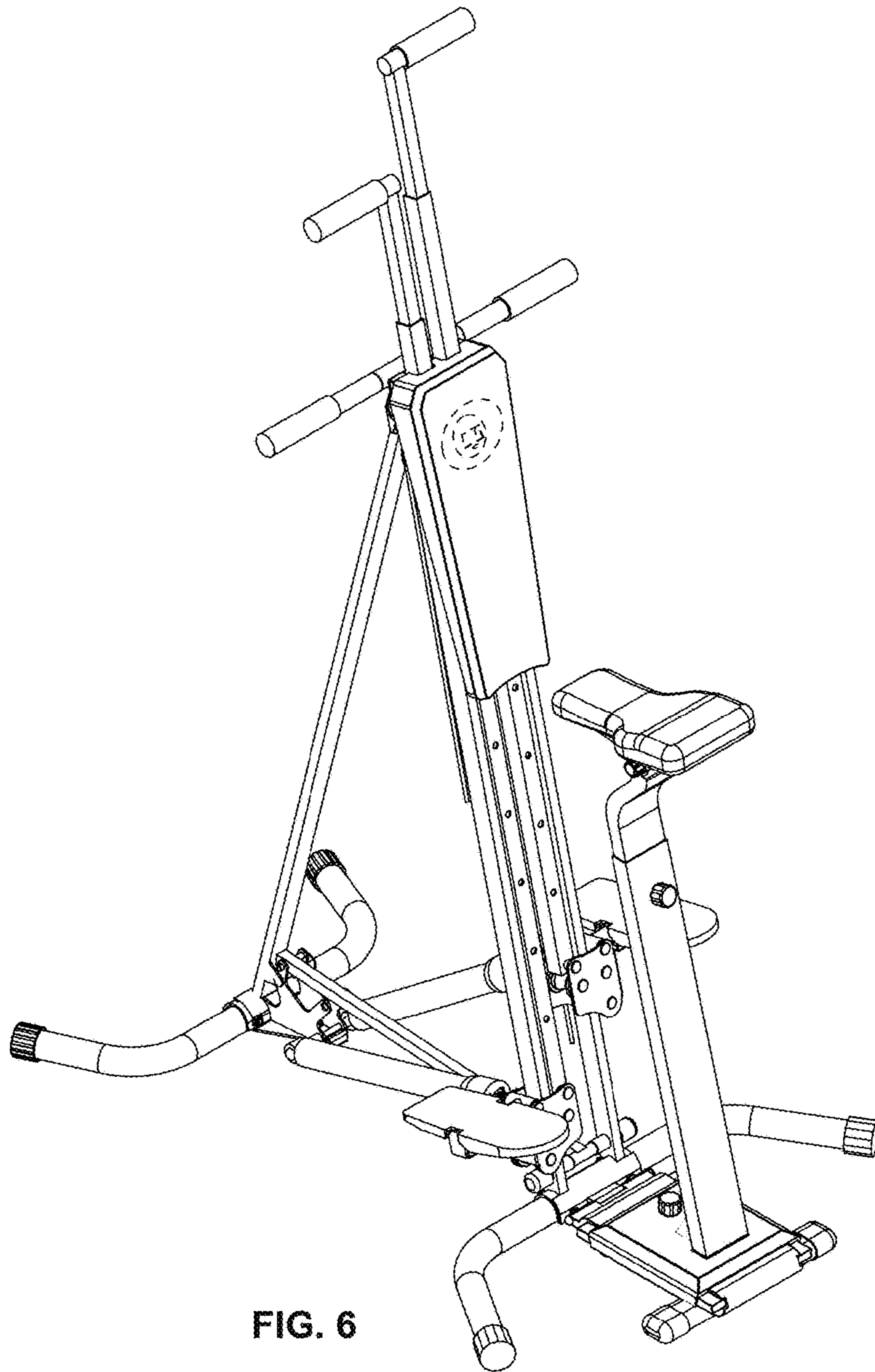


FIG. 6

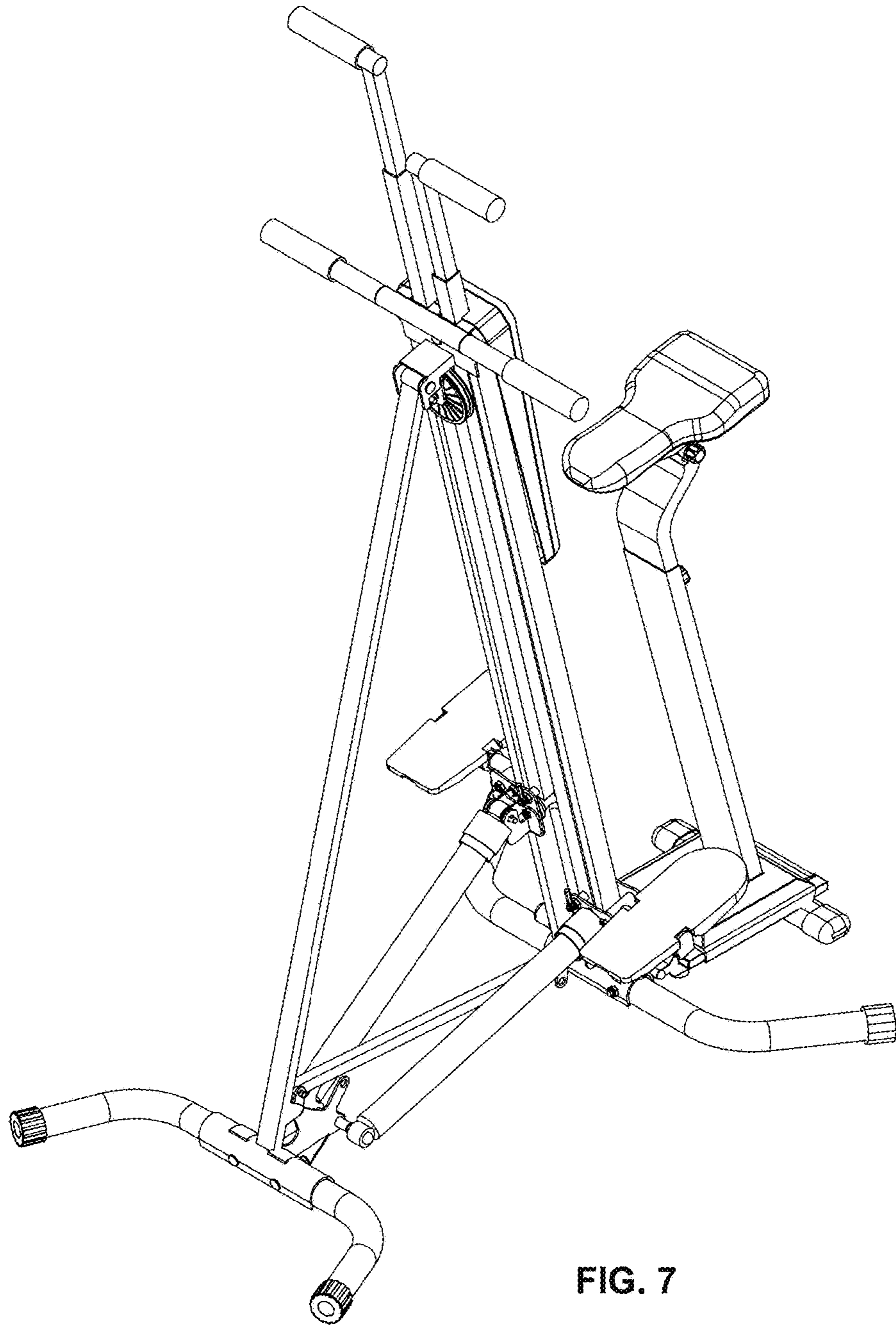


FIG. 7