



US00D840479S

(12) **United States Design Patent**
Haquet et al.

(10) **Patent No.:** **US D840,479 S**

(45) **Date of Patent:** **** Feb. 12, 2019**

- (54) **EXERCISE APPARATUS**
- (71) Applicant: **DECATHLON**, Villeneuve d'Ascq (FR)
- (72) Inventors: **Sebastien Haquet**, Croix (FR); **Charles Cambianica**, Roubaix (FR); **Dorian Hernould**, Marquette (FR)
- (73) Assignee: **DECATHLON**, Villeneuve d'Ascq (FR)
- (**) Term: **15 Years**
- (21) Appl. No.: **29/625,302**
- (22) Filed: **Nov. 8, 2017**

- 4,884,802 A * 12/1989 Graham A61H 1/006
482/130
- 5,042,797 A * 8/1991 Graham A63B 21/0552
482/132
- D324,709 S * 3/1992 Lehtonen D21/674
- D335,512 S * 5/1993 Gvoich D21/662
- D337,799 S * 7/1993 Cutter D21/666
- D364,022 S * 11/1995 Kazmark, Jr. D34/12
- D365,187 S * 12/1995 Tsai D34/24
- 5,681,249 A * 10/1997 Endelman A63B 21/154
482/129
- D405,132 S * 2/1999 Westfall D21/676
- D493,853 S * 8/2004 Campanaro D21/662
- D627,011 S * 11/2010 Potok D21/662
- 8,033,970 B2 * 10/2011 Campanaro A63B 21/068
482/142
- D659,205 S * 5/2012 Endelman D21/686
- D659,206 S * 5/2012 Oberwelz D21/673
- D659,208 S * 5/2012 Savarino D21/694
- D691,678 S * 10/2013 Cardillo D21/662

(Continued)

(30) **Foreign Application Priority Data**

Jul. 13, 2017 (EM) 004101954-0005

(51) **LOC (11) Cl.** **21-02**

(52) **U.S. Cl.**

USPC **D21/662**

(58) **Field of Classification Search**

USPC 482/51, 71, 72, 94, 96, 112, 121, 130,
482/131, 132, 140, 142, 144, 146, 147;
601/23, 33, 40, 127, 131; D21/662, 668,
D21/670, 674, 676, 686, 688, 689, 690,
D21/694, 695; D34/12, 23, 24, 26

CPC A63B 23/1236; A63B 22/16; A63B 22/20;
A63B 22/203

See application file for complete search history.

(56) **References Cited**

U.S. PATENT DOCUMENTS

- D256,707 S * 9/1980 MacLaren-Taylor 482/142
- D285,871 S * 9/1986 Stenwall D34/24
- D289,539 S * 4/1987 Brentham D21/674
- D297,853 S * 9/1988 Ostrom D21/674

Primary Examiner — Cynthia Ramirez

Assistant Examiner — Michael A Maharajh

(74) *Attorney, Agent, or Firm* — Fross Zelnick Lehrman & Zissu, P.C.; Charles T. J. Weigell, Esq.

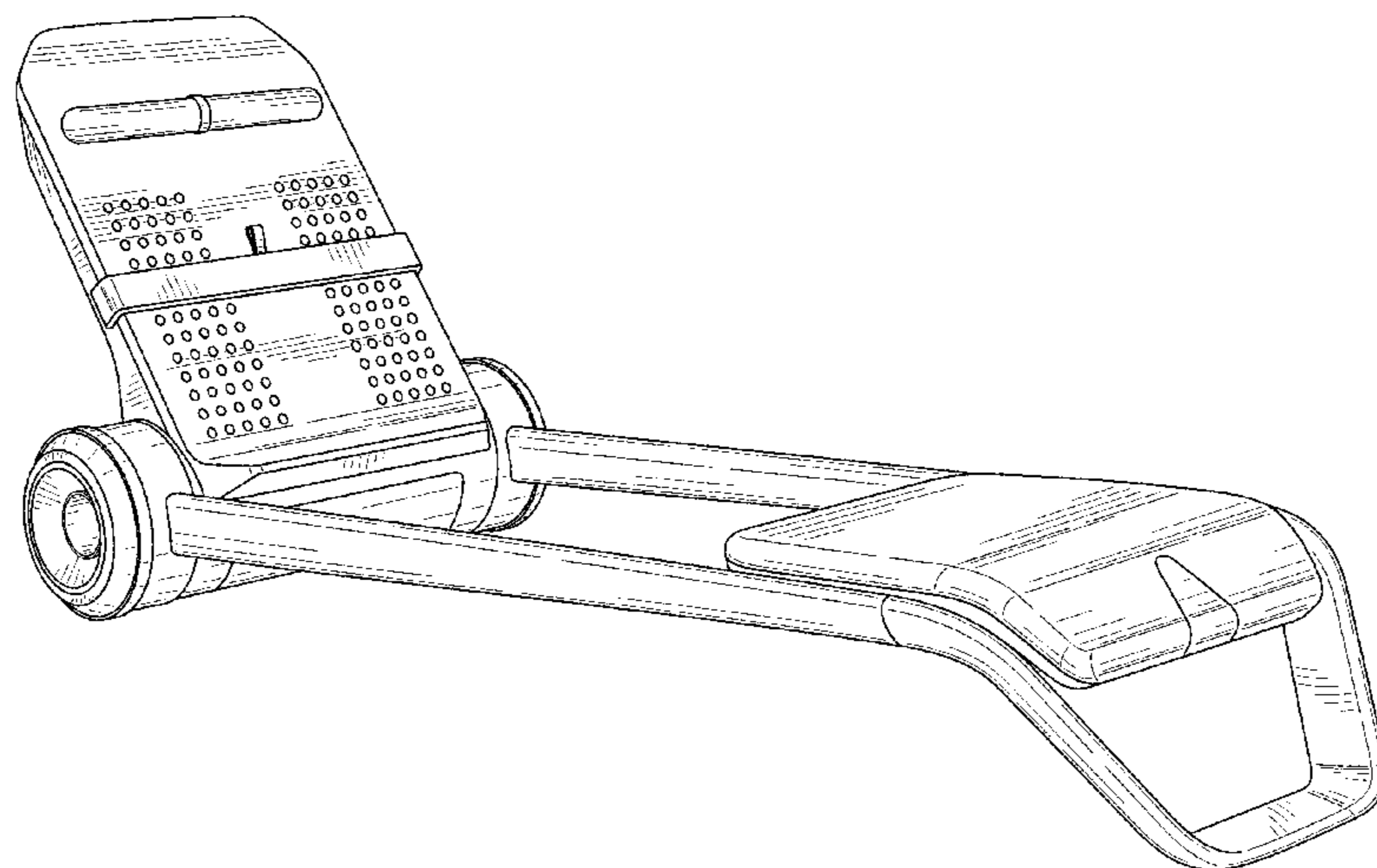
(57) **CLAIM**

The ornamental design for an exercise apparatus, as shown and described.

DESCRIPTION

FIG. 1 is a perspective view of an exercise apparatus showing our new design, shown in an open position; FIG. 2 is a front view thereof; FIG. 3 is a back view thereof; FIG. 4 is a left side view thereof; FIG. 5 is a right side view thereof; FIG. 6 is a top view thereof; FIG. 7 is a bottom view thereof; and, FIG. 8 is a perspective view thereof, shown in a folded position.

1 Claim, 7 Drawing Sheets



(56)

References Cited

U.S. PATENT DOCUMENTS

D694,347 S * 11/2013 Campanaro D21/676
8,641,585 B2 * 2/2014 LaGree A63B 21/023
482/92
9,022,909 B2 * 5/2015 Kermath A63B 21/00018
482/133
D741,420 S * 10/2015 Campanaro D21/674
D764,606 S * 8/2016 Lagree D21/676
D781,021 S * 3/2017 Parker D34/24

* cited by examiner

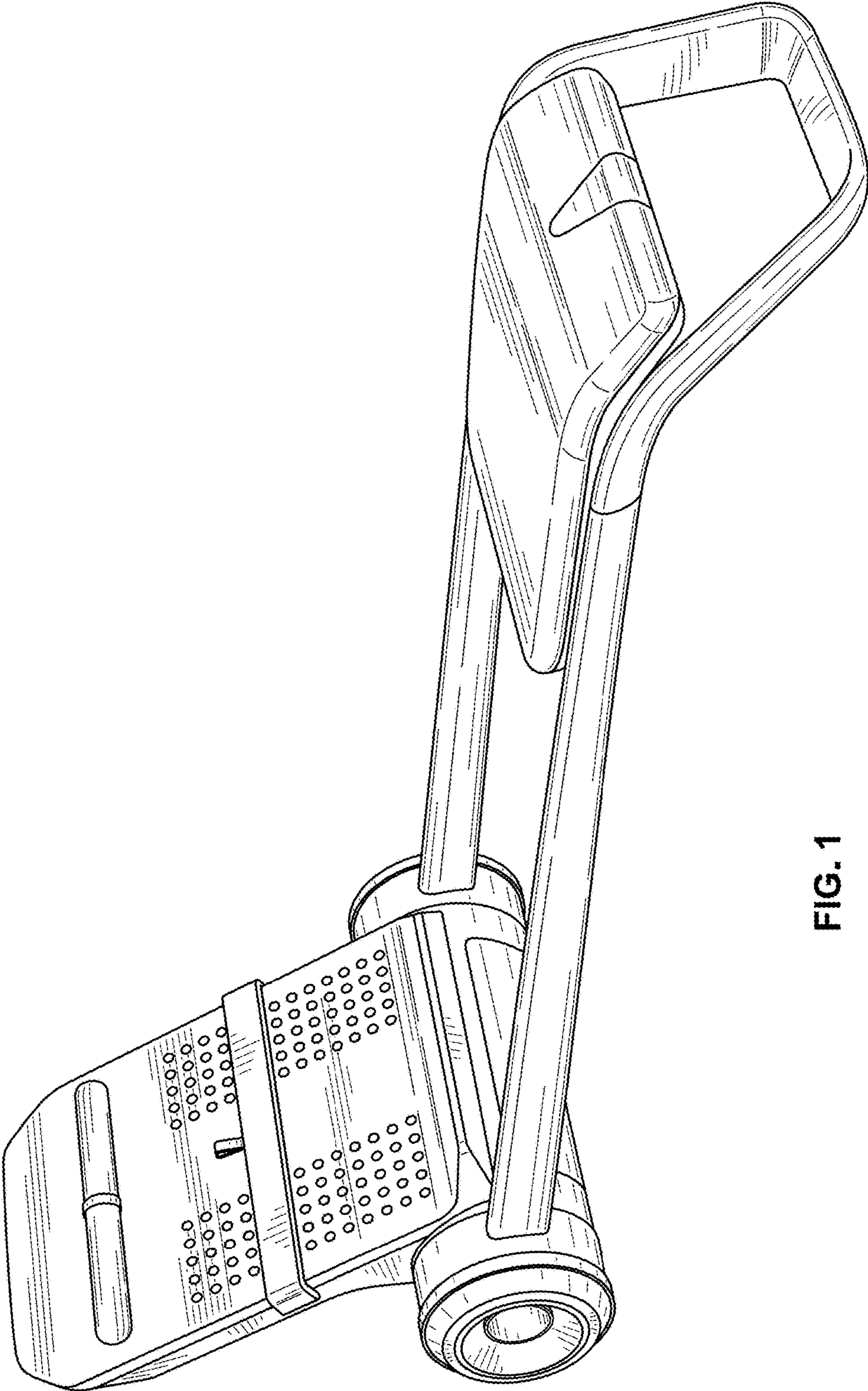


FIG. 1

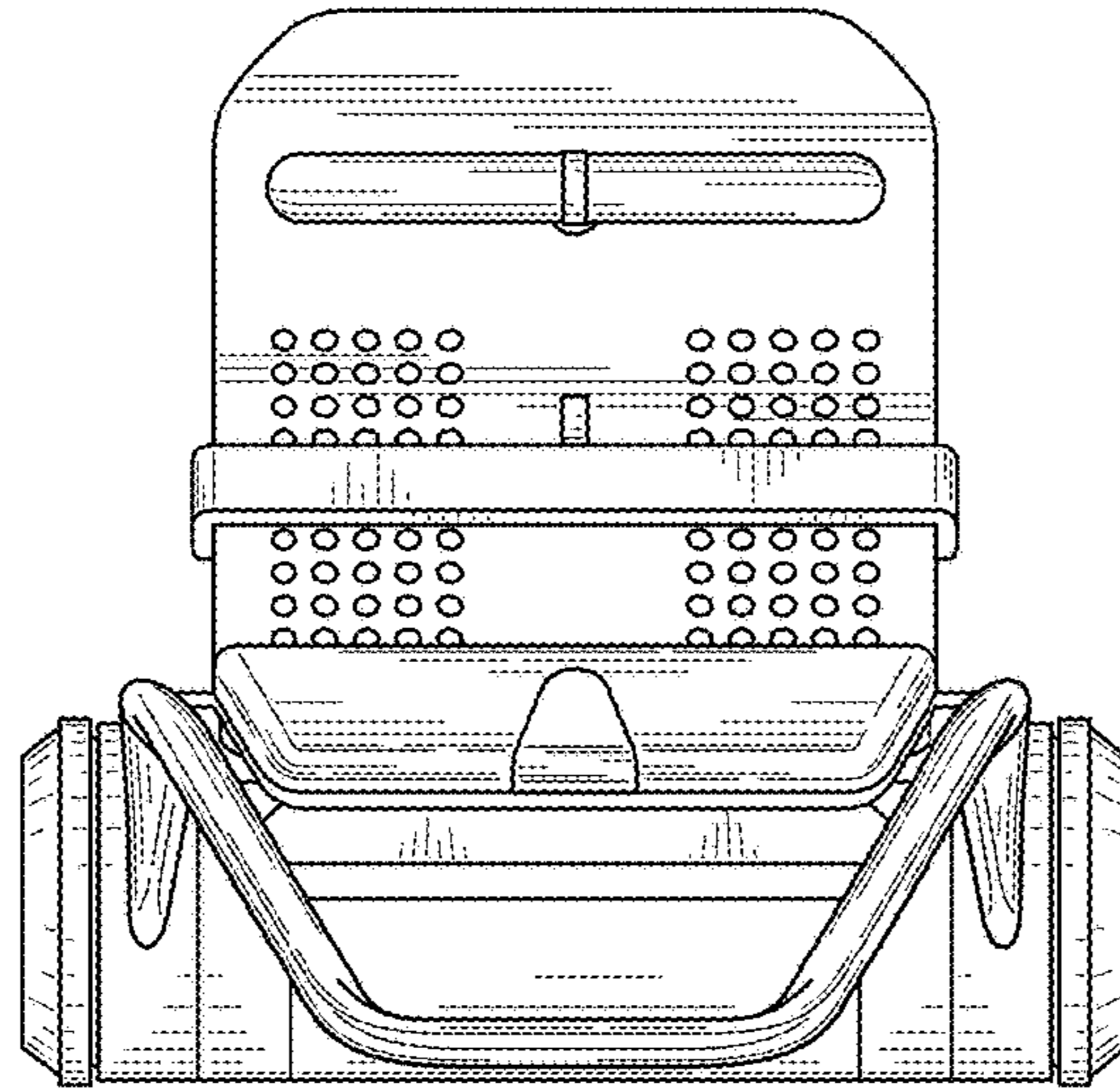


FIG. 2

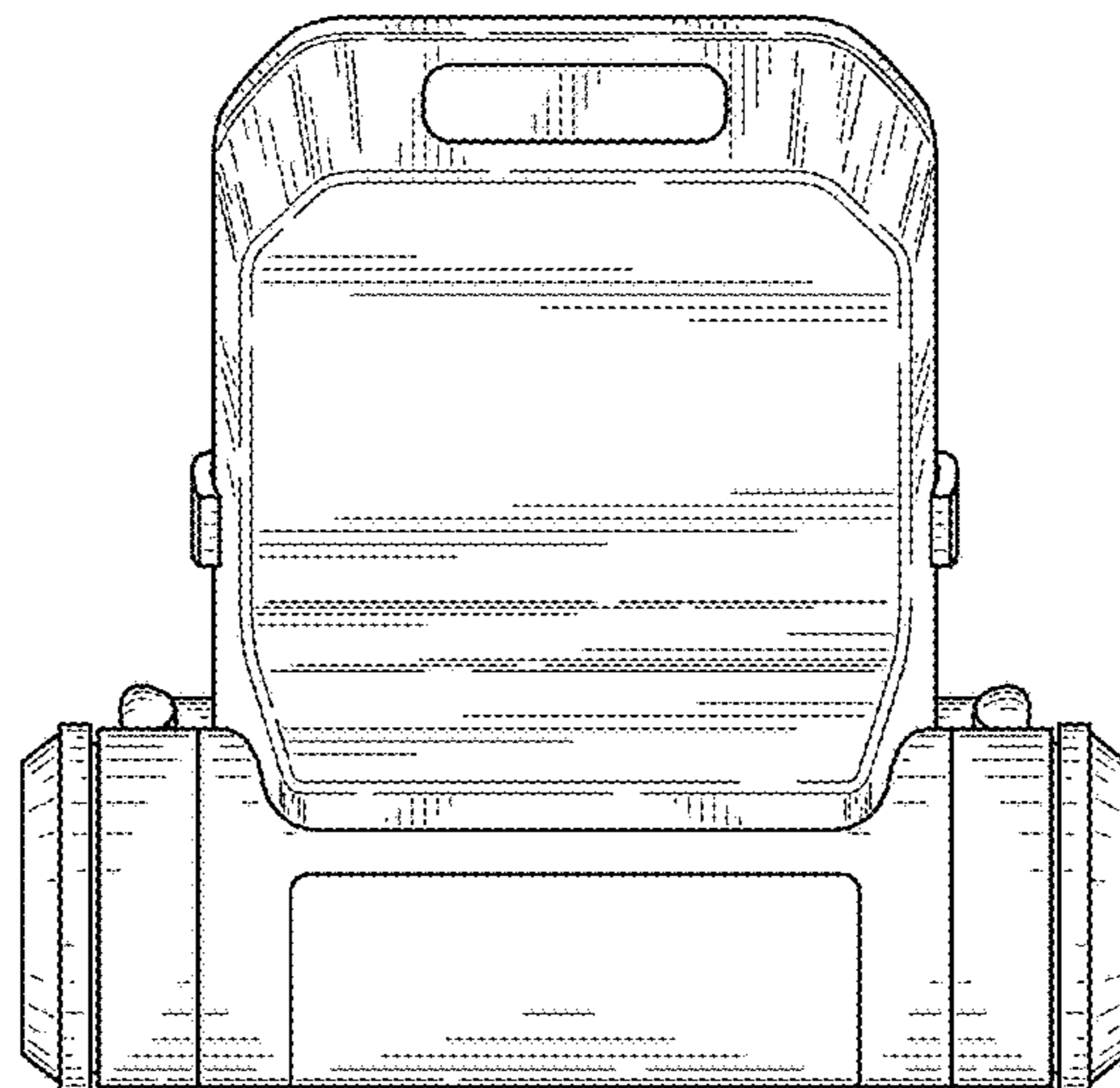


FIG. 3

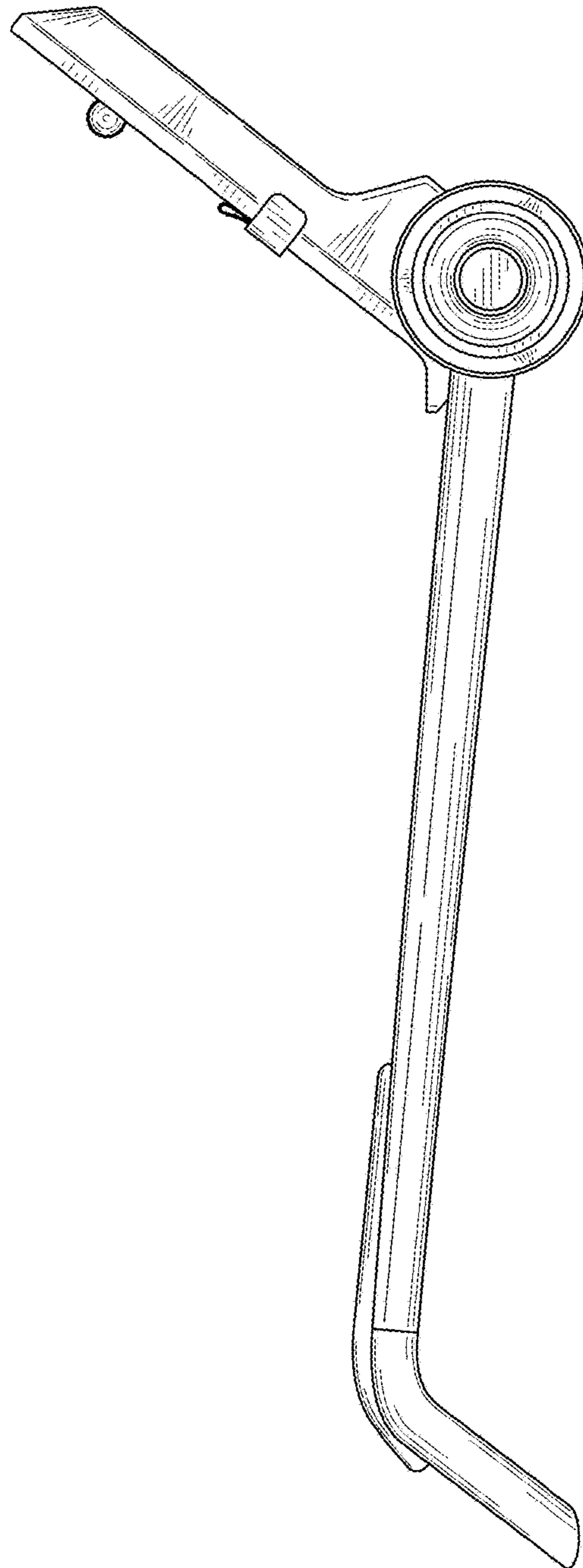


FIG. 4

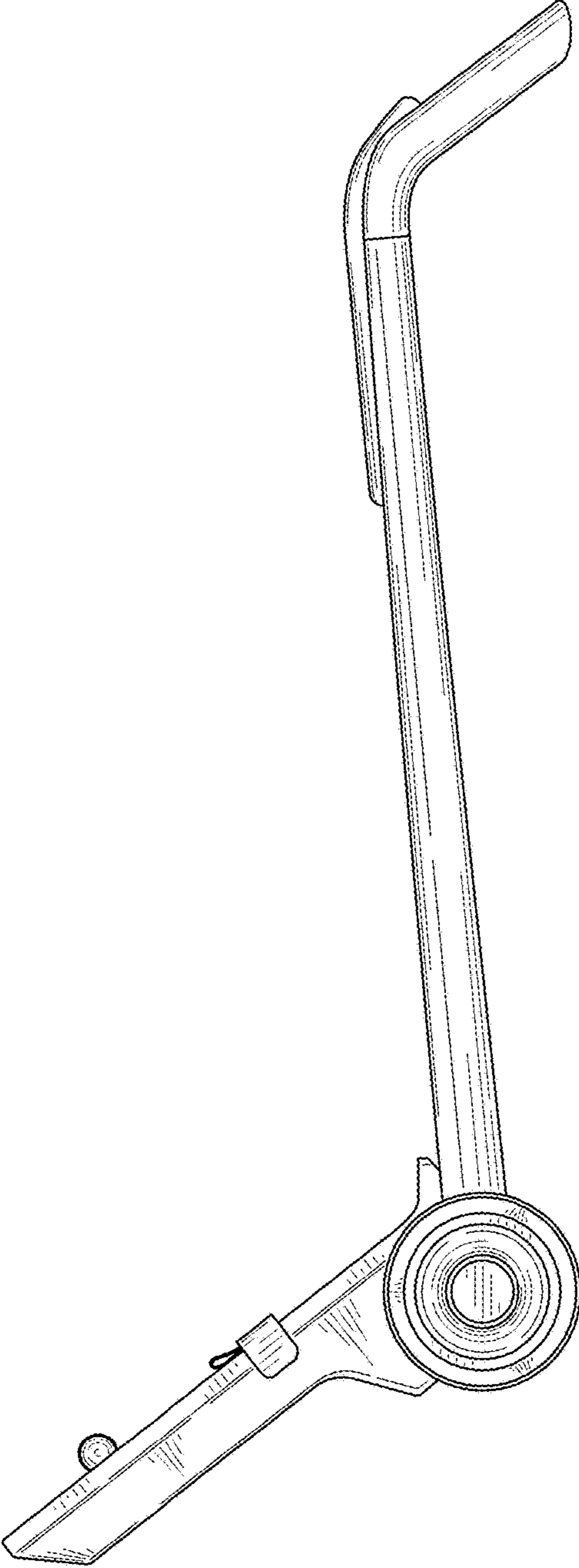


FIG. 5

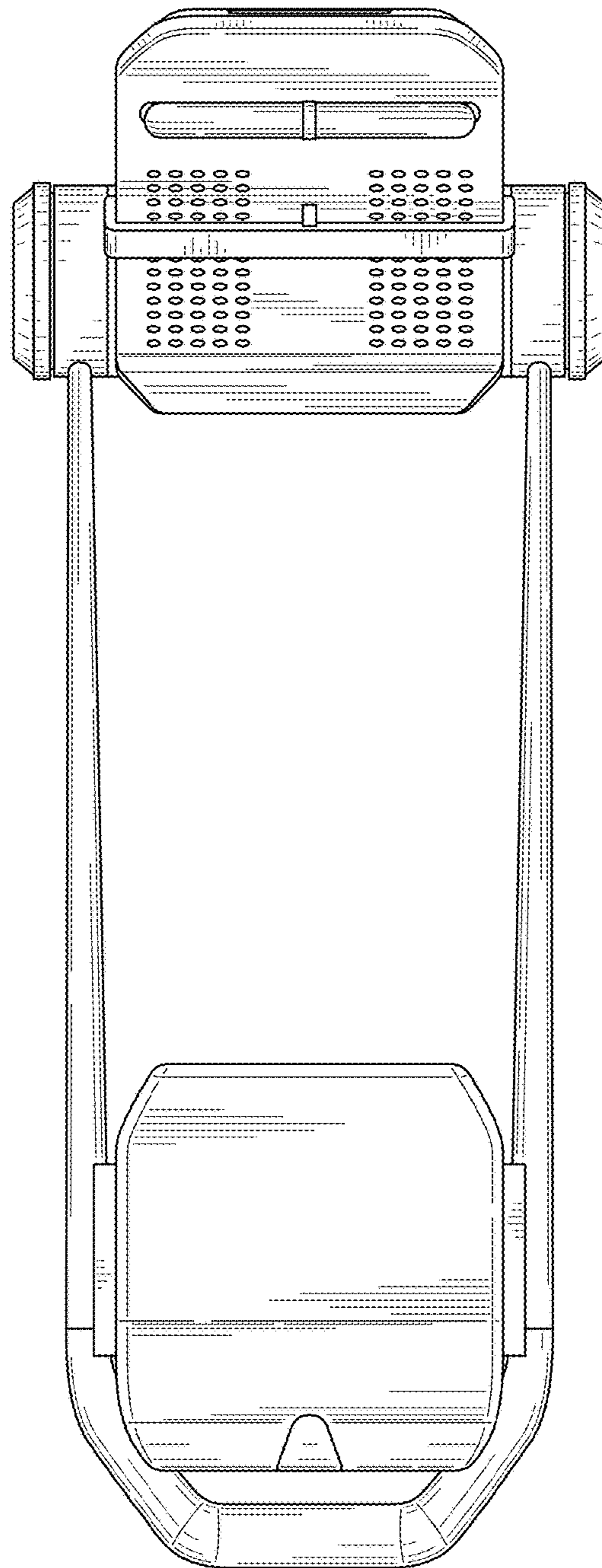


FIG. 6

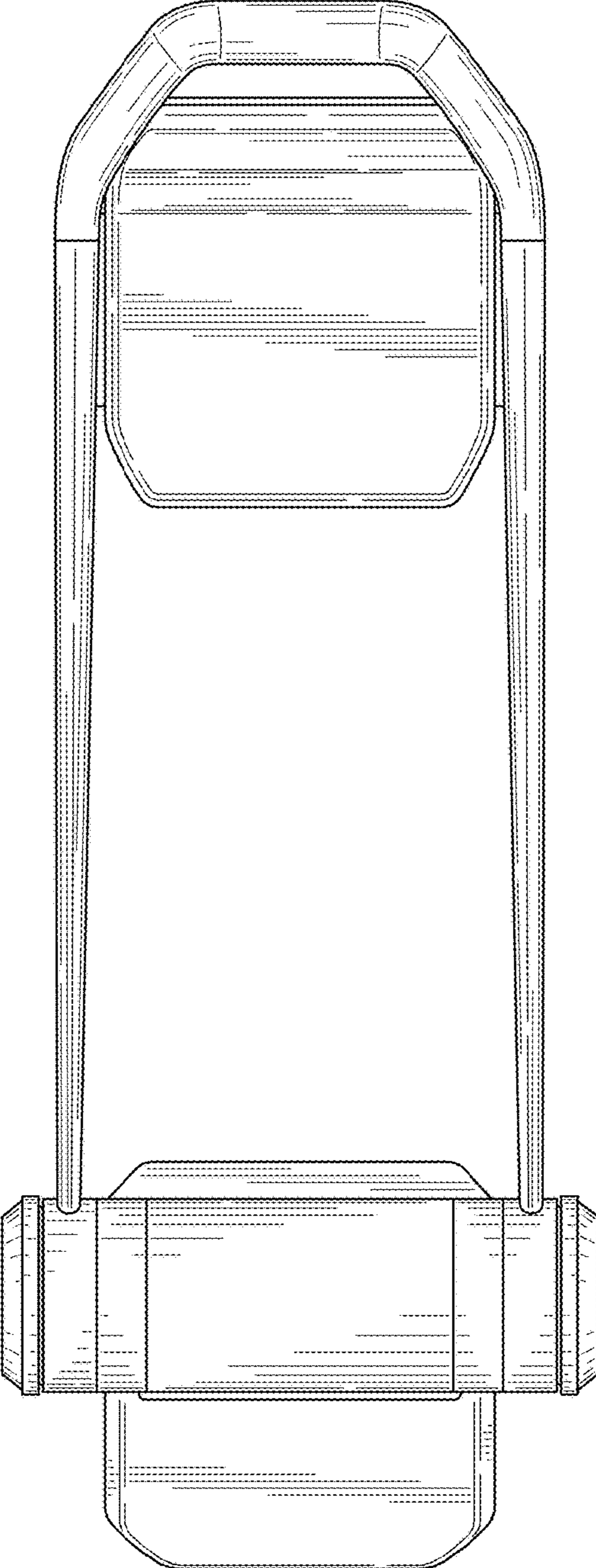


FIG. 7

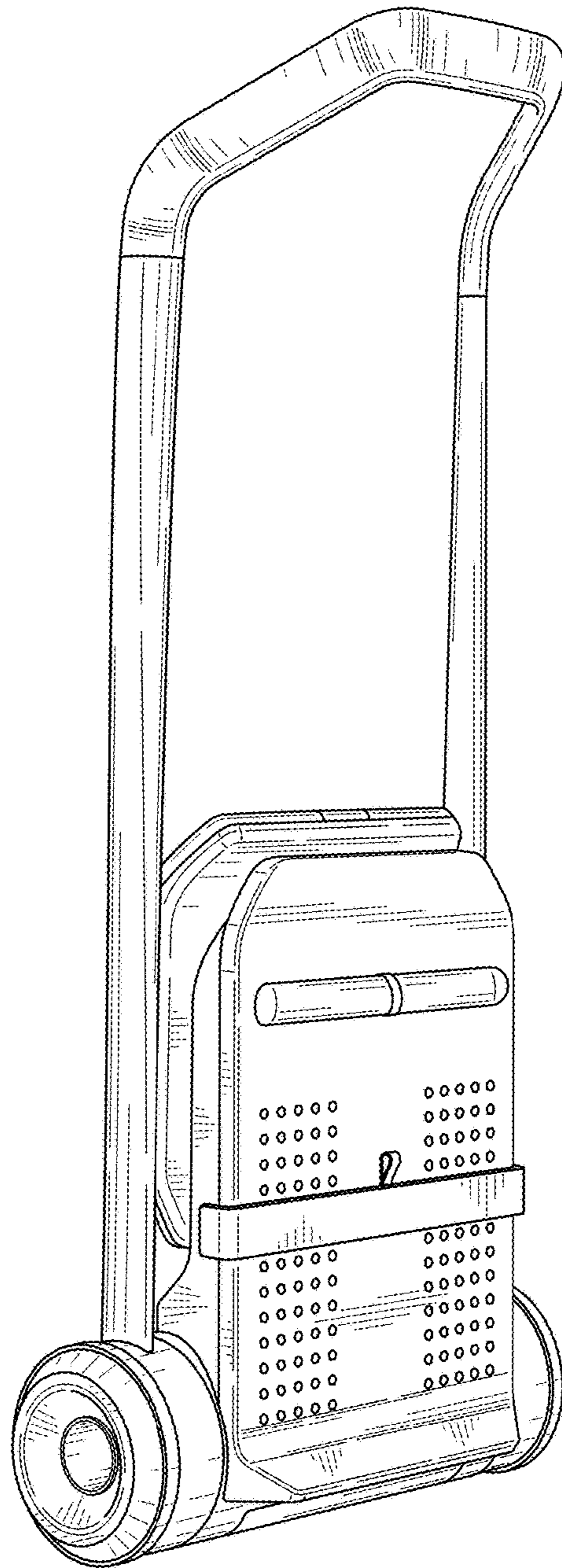


FIG. 8