



US00D840477S

(12) **United States Design Patent** (10) **Patent No.:** **US D840,477 S**  
**Flores et al.** (45) **Date of Patent:** **\*\* Feb. 12, 2019**

(54) **TOY TRUCK**  
(71) Applicant: **GOT I, LLC**, Atlanta, GA (US)  
(72) Inventors: **Milton Aaron Flores**, Atlanta, GA (US); **Igan Jungco**, Tin Shui Wai (HK)  
(73) Assignee: **GOT I, LLC**, Atlanta, GA (US)  
(\*\*) Term: **15 Years**

(21) Appl. No.: **29/577,589**

(22) Filed: **Sep. 14, 2016**

(51) **LOC (11) Cl.** ..... **21-01**

(52) **U.S. Cl.**  
USPC ..... **D21/548**; D21/424; D21/433; D21/434;  
D21/533; D21/552

(58) **Field of Classification Search**  
USPC ..... D12/86, 90-92, 108, 164, 173, 184-186,  
D12/190, 196; D21/419, 421, 423,  
D21/424-426, 433-434, 541, 548,  
D21/550-552, 555, 559, 713; 446/456;  
D24/199; 215/11.6  
CPC .... A63H 17/26; A63H 17/262; A63H 17/264;  
A63H 17/266; A63H 17/36; A63H 17/38;  
A63H 29/00; A63H 29/22; A63H 29/24;  
A63H 30/04  
See application file for complete search history.

(56) **References Cited**

**U.S. PATENT DOCUMENTS**

180,196 A 7/1876 Butler  
183,209 A 10/1876 Rich  
449,146 A 3/1891 Watrous  
693,064 A 2/1902 Proben et al.  
1,077,340 A 11/1913 Graham  
1,188,904 A 6/1916 Cosgriff  
1,319,297 A 10/1919 Limacher  
1,429,198 A 9/1922 Fawcett  
1,457,360 A 6/1923 Gilbert  
1,626,425 A 4/1927 Pelsue  
2,006,230 A 6/1935 Dobbins

2,211,102 A 8/1940 Davis  
2,211,330 A 8/1940 Hochberg  
2,270,553 A 1/1942 Potito  
2,310,515 A 2/1943 Chester  
D138,150 S 6/1944 Davidson  
2,400,981 A 5/1946 Dishmaker  
2,499,483 A 3/1950 Foy

(Continued)

**FOREIGN PATENT DOCUMENTS**

EM 000523626-0001 6/2006  
EP 1870351 A1 12/2007  
WO 2011057203 A2 5/2011

**OTHER PUBLICATIONS**

Go Grippers Steam Roller [online] found on Feb. 1, 2018 from URL  
[https://www.kidsii.com/brands/oball/10736-go-grippers-steam-roller.\\*](https://www.kidsii.com/brands/oball/10736-go-grippers-steam-roller.*)

(Continued)

*Primary Examiner* — Robin V Webster  
*Assistant Examiner* — Keith J Wilson  
(74) *Attorney, Agent, or Firm* — Gardner Groff  
Greenwald & Villanueva, PC

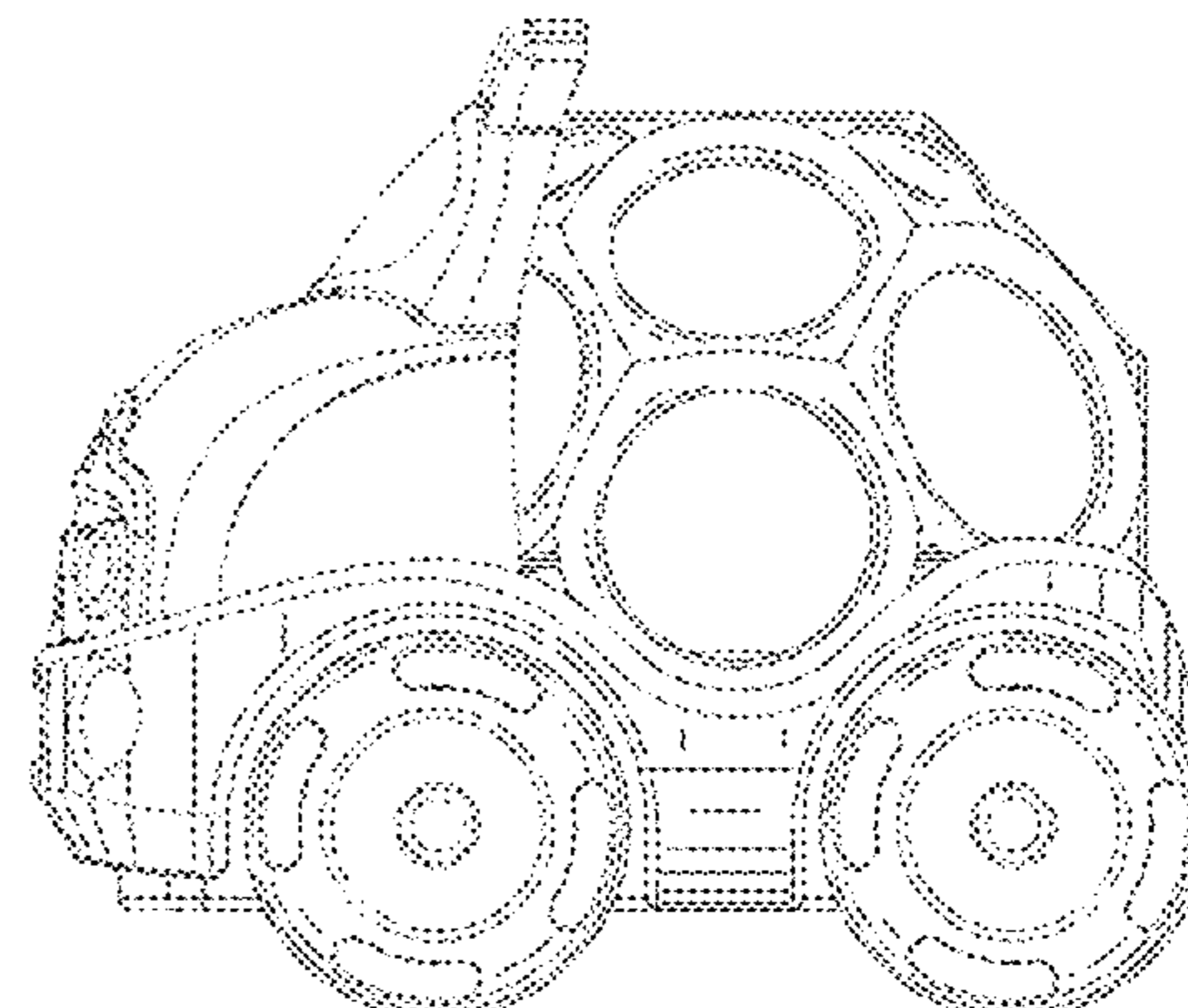
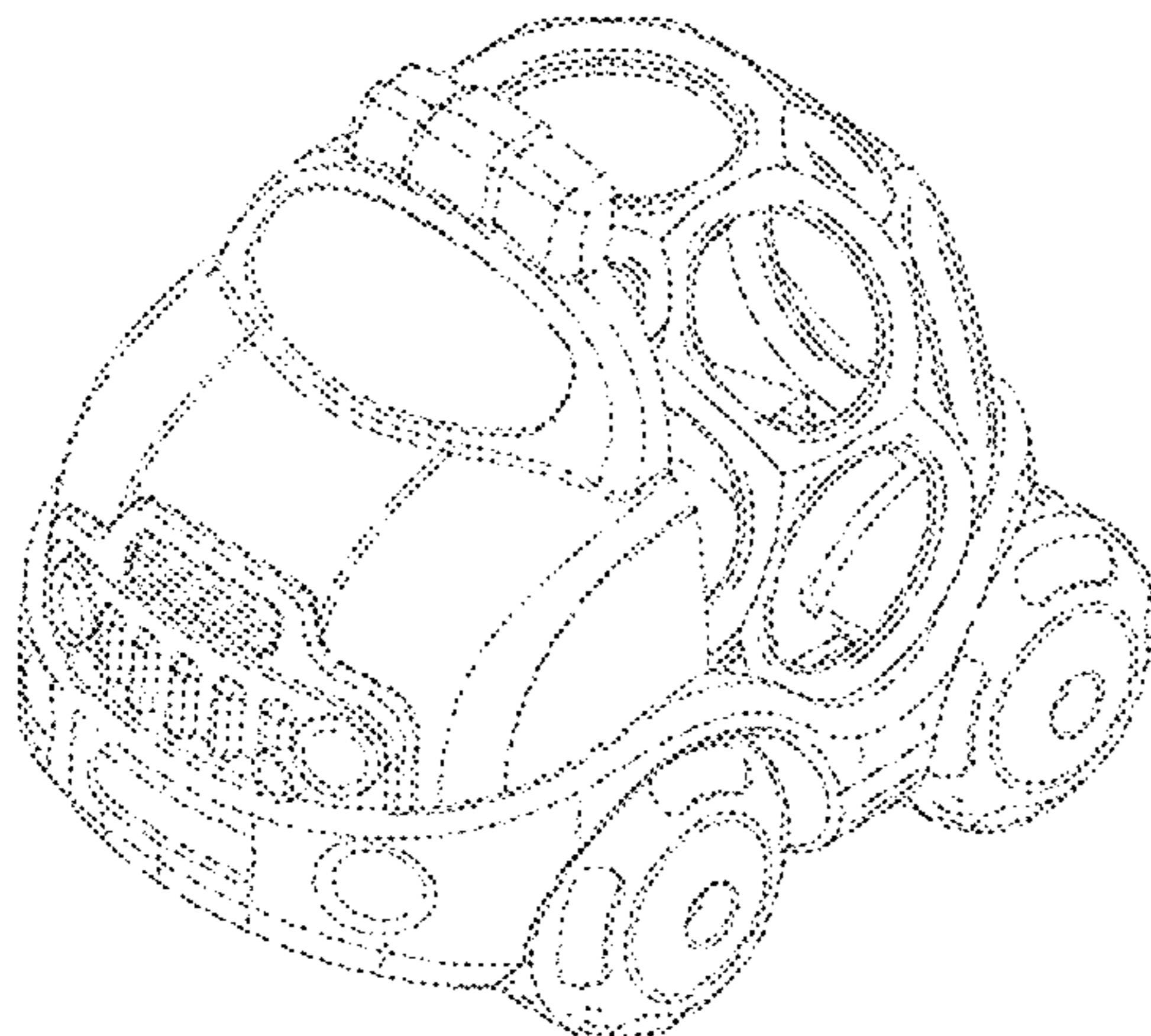
(57) **CLAIM**

The ornamental design for a toy truck, substantially as shown and described.

**DESCRIPTION**

FIG. 1 is a top perspective view of a toy truck, showing my new design;  
FIG. 2 is a front view of the toy truck of FIG. 1;  
FIG. 3 is a rear view of the toy truck of FIG. 1;  
FIG. 4 is a left side view of the toy truck of FIG. 1;  
FIG. 5 is a top view of the toy truck of FIG. 1; and,  
FIG. 6 is a bottom view of the toy truck of FIG. 1.  
The broken lines shown in the drawings depict portions of the toy truck that form no part of the claimed design.

**1 Claim, 3 Drawing Sheets**





(56)

References Cited

U.S. PATENT DOCUMENTS

2,519,248 A 8/1950 Hulbert  
 2,687,302 A 8/1954 Stiegler  
 2,717,473 A 9/1955 Moore  
 2,742,771 A 4/1956 Negaard  
 2,770,915 A 11/1956 Hicks  
 2,937,475 A 5/1960 Crawford  
 3,018,583 A 1/1962 Novotney  
 3,046,016 A 7/1962 Laws  
 3,154,882 A 11/1964 Bossiere  
 3,274,596 A 9/1966 Raabe  
 3,276,148 A 10/1966 Snelson  
 3,483,907 A 12/1969 Corridon  
 3,603,023 A 9/1971 McHugh  
 3,633,587 A 1/1972 Hunt  
 3,691,704 A 9/1972 Novak  
 3,758,116 A 9/1973 Pieronek  
 3,768,202 A 10/1973 Wheelock  
 3,777,392 A 12/1973 Span et al.  
 3,841,039 A 10/1974 Farnsworth, III  
 3,866,348 A 2/1975 Roby et al.  
 3,889,950 A 6/1975 Kasravi  
 3,913,879 A 10/1975 Wright, Jr.  
 3,959,937 A 6/1976 Spunt  
 4,088,319 A 5/1978 Clarke  
 4,128,909 A 12/1978 Kawabe et al.  
 4,213,266 A 7/1980 Hyland et al.  
 4,274,224 A 6/1981 Pugh et al.  
 4,282,679 A 8/1981 Grubb et al.  
 4,309,852 A 1/1982 Stolpin  
 4,381,620 A 5/1983 Panzarella  
 4,403,441 A 9/1983 White et al.  
 4,476,649 A 10/1984 Zaruba  
 4,514,995 A 5/1985 Curtis et al.  
 D282,476 S \* 2/1986 Arigaya ..... D21/548  
 4,579,538 A 4/1986 Bass et al.  
 D284,493 S 7/1986 King  
 4,610,637 A 9/1986 Ferguson  
 D287,988 S 1/1987 Billinghamurst  
 4,637,941 A 1/1987 Rochte  
 4,645,471 A 2/1987 Herring et al.  
 D296,224 S \* 6/1988 Nakao ..... D21/548  
 4,778,429 A 10/1988 Todokoro  
 4,813,674 A 3/1989 Lorhpiapat  
 4,836,787 A 6/1989 Boo  
 4,869,701 A 9/1989 Kawai et al.  
 D303,776 S \* 10/1989 Aker ..... D12/108  
 4,883,441 A 11/1989 Byer  
 D305,555 S \* 1/1990 Spielberg et al. .... D21/554  
 4,929,216 A 5/1990 Morris et al.  
 4,941,579 A 7/1990 Lee  
 D312,488 S \* 11/1990 Kwan ..... D21/551  
 5,104,125 A 4/1992 Wilson  
 5,174,580 A 12/1992 Pratt  
 D333,497 S \* 2/1993 Revell ..... D21/551  
 5,195,917 A 3/1993 Russell et al.  
 D336,317 S 6/1993 Thomson et al.  
 5,219,162 A 6/1993 Orbanes et al.  
 5,224,959 A 7/1993 Kasper  
 5,236,196 A 8/1993 Blankenburg et al.  
 D340,991 S 11/1993 Clements  
 5,309,586 A 5/1994 Sies et al.  
 D352,753 S 11/1994 Giannini et al.  
 5,364,348 A 11/1994 Berry, Sr.  
 5,411,262 A 5/1995 Smith  
 D359,327 S 6/1995 Gould  
 5,449,174 A 9/1995 Criner  
 5,451,436 A 9/1995 Shelleman  
 D366,288 S 1/1996 Kino  
 5,611,721 A 3/1997 Hoeting et al.  
 D379,206 S 5/1997 Meffert  
 5,759,083 A 6/1998 Polumbaum et al.  
 5,766,701 A 6/1998 Lee  
 5,772,204 A 6/1998 Phelps  
 D396,503 S \* 7/1998 Leadbetter ..... D21/541  
 5,788,554 A 8/1998 Goodwin et al.

5,853,313 A 12/1998 Zheng  
 D408,471 S \* 4/1999 Smolarczyk ..... D21/550  
 D428,076 S \* 7/2000 Wise ..... D21/548  
 D433,466 S \* 11/2000 Tsai ..... D21/548  
 D437,010 S 1/2001 Meys  
 6,203,393 B1 3/2001 Flynn  
 6,279,984 B1 8/2001 Reina, Jr.  
 D448,432 S \* 9/2001 Yamanouchi ..... D21/548  
 D448,817 S \* 10/2001 Yamanouchi ..... D21/555  
 D453,571 S 2/2002 Hall  
 6,418,673 B1 7/2002 Flowerday  
 6,488,556 B2 12/2002 Galomb  
 6,517,406 B1 2/2003 Cash  
 6,524,272 B1 2/2003 Berry, Sr.  
 D477,441 S 7/2003 Willinger et al.  
 6,609,944 B1 8/2003 Viola  
 D479,897 S 9/2003 Willinger  
 D489,494 S \* 5/2004 Silvergate ..... D21/713  
 6,729,984 B2 5/2004 Silvergate  
 6,769,588 B2 8/2004 Zheng  
 D514,263 S 1/2006 Willinger  
 7,152,750 B2 12/2006 Coffey  
 7,169,120 B2 1/2007 Murdock et al.  
 D539,367 S 3/2007 Jones  
 D563,609 S 3/2008 Gick  
 7,520,793 B2 4/2009 Pillai et al.  
 D596,248 S 7/2009 Silvergate  
 7,600,488 B2 10/2009 Mann  
 7,662,012 B2 2/2010 Wright  
 D621,259 S 8/2010 Joy et al.  
 7,806,746 B2 10/2010 Walterscheid  
 7,867,101 B2 1/2011 Chiang  
 7,867,115 B2 1/2011 Zawitz  
 7,901,375 B2 3/2011 Dunn et al.  
 D635,685 S \* 4/2011 Hendricks ..... D24/199  
 D636,949 S 4/2011 Axelrod et al.  
 7,931,520 B2 4/2011 Bryce  
 D646,792 S 10/2011 Pope  
 8,052,552 B2 11/2011 Silvergate  
 8,282,518 B2 \* 10/2012 Silvergate ..... A63B 39/00  
 215/11.6  
 8,371,899 B1 2/2013 Walterscheid  
 8,506,345 B2 8/2013 Tigan et al.  
 D693,270 S \* 11/2013 Burki ..... D12/86  
 8,579,133 B2 11/2013 Marcus et al.  
 8,851,956 B2 10/2014 Niu  
 8,932,101 B2 1/2015 Silvergate et al.  
 8,998,670 B1 4/2015 De Leon  
 9,101,535 B2 8/2015 Silvergate et al.  
 9,161,888 B2 10/2015 Lamar  
 9,271,552 B2 3/2016 Van Ostenbridge  
 9,289,695 B2 3/2016 Sadri et al.  
 D767,688 S 9/2016 Nelson  
 2004/0221885 A1 11/2004 Zheng  
 2005/0142980 A1 6/2005 Rivero  
 2007/0077857 A1 4/2007 Wright  
 2008/0032826 A1 2/2008 Mubarak et al.  
 2009/0170643 A1 7/2009 Silvergate  
 2009/0170645 A1 7/2009 Silvergate  
 2011/0256797 A1 10/2011 Chernick et al.  
 2012/0171924 A1 7/2012 Karnick et al.  
 2015/0297955 A1 10/2015 Silvergate et al.  
 2015/0328515 A1 11/2015 Prendergast  
 2016/0051862 A1 2/2016 Silvergate et al.  
 2016/0310856 A1 10/2016 Mitchell et al.  
 2017/0007937 A1 \* 1/2017 Elson ..... A63H 33/00

OTHER PUBLICATIONS

Odball Go Grippers Pink Vehichles [online found on Feb. 1, 2018 from URL [https://www.fatbraintoy.com/toy\\_companies/toysmith/oball\\_go\\_grippers\\_pink\\_vehichles.cfm](https://www.fatbraintoy.com/toy_companies/toysmith/oball_go_grippers_pink_vehichles.cfm)].\*

Go Grippers Truck Assortment [online] found on Feb. 1, 2018 from URL <https://www.kidsii.com/brands/oball/11519-go-grippers-truck-assortment>].\*

Binxy (Paci-Sphere) Product Description Document; Sep. 13, 2009; 2 pgs.

(56)

**References Cited**

OTHER PUBLICATIONS

Grab Ball Toy Product Description Document; 2 pgs; Jul. 28, 2001.

Hol-ee Roller Toy Product Description Document; 2 pgs; Jul. 28, 2001.

ISA Korean Intellectual Property Office, International Search Report of PCT/US2010/055855; Jul. 27, 2011; 9 pgs.

International Search Report for PCT/US2011/023339; 3 pgs; Oct. 27, 2011.

Mother's Cubbard Booth Listing; Sep. 13, 2009; 2 pgs.

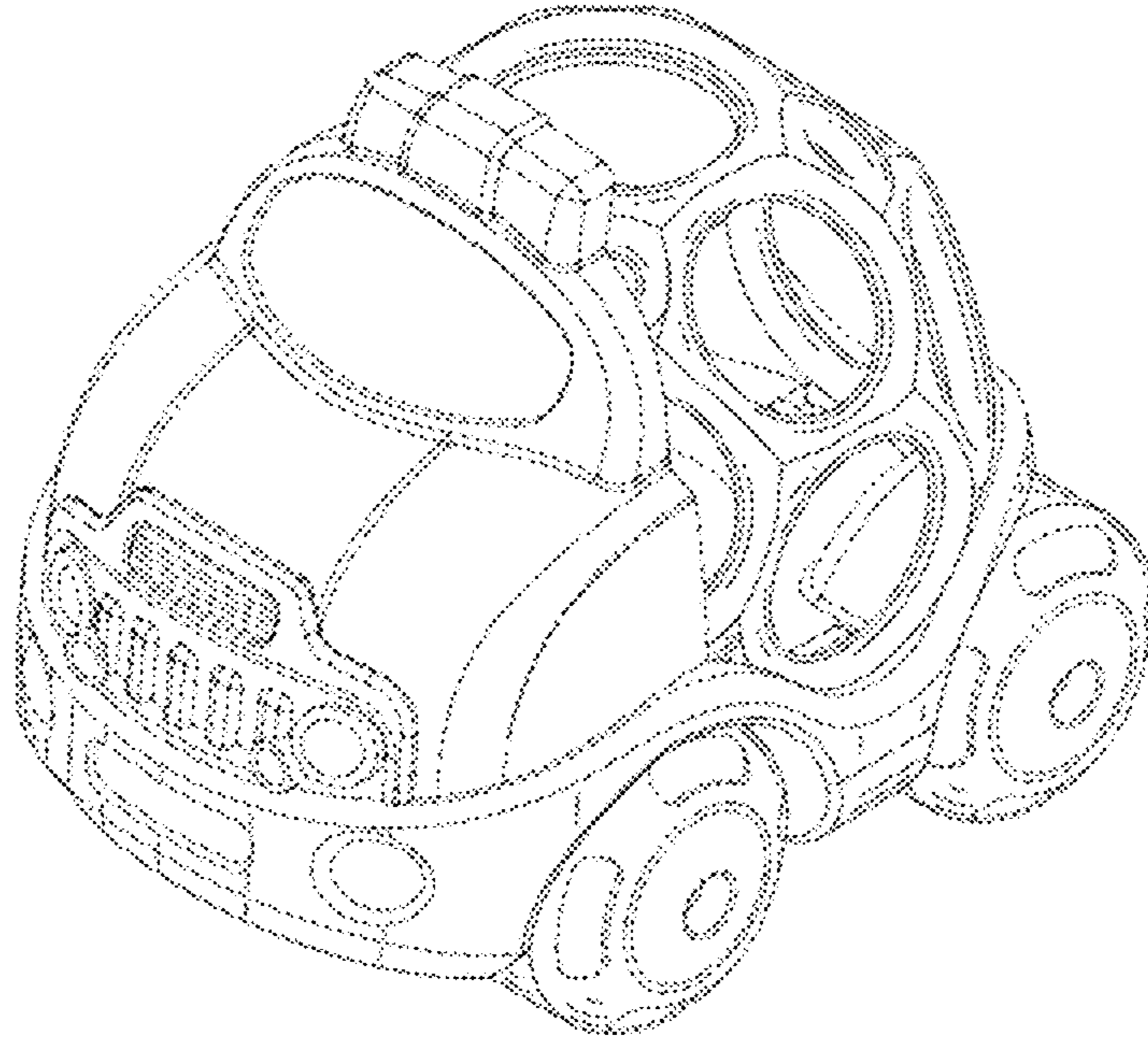
Mother's Cubbard Name Tag; Sep. 13, 2009; 2 pgs.

Popko, Edward; Geodesics; Fig. No. 62 of "Bicycle Wheel" Dome; University of Detroit Press; 1 pg.; 1968.

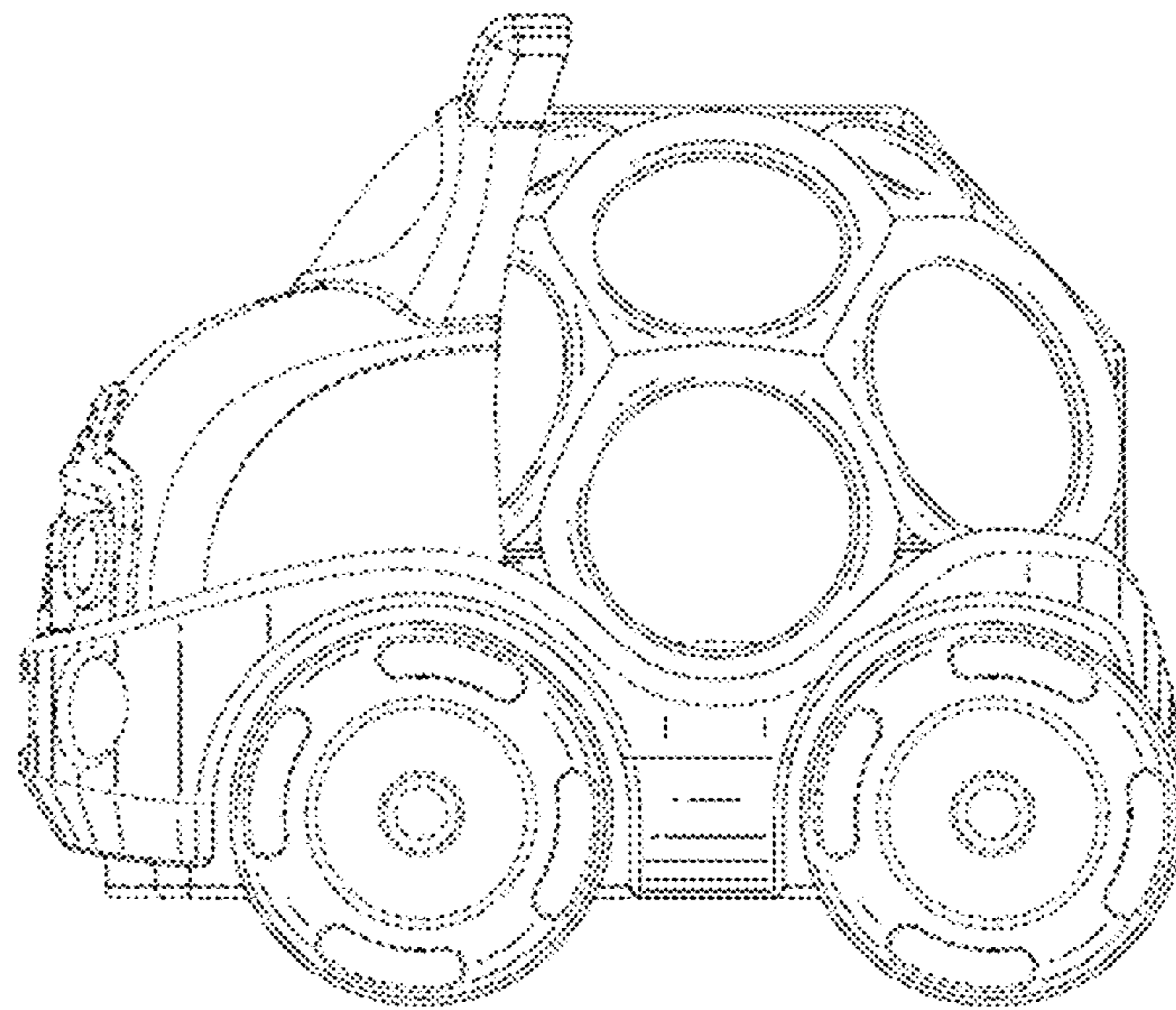
Sportime(R) Fall 2003 Catalog; p. 21; 2003.

\* cited by examiner

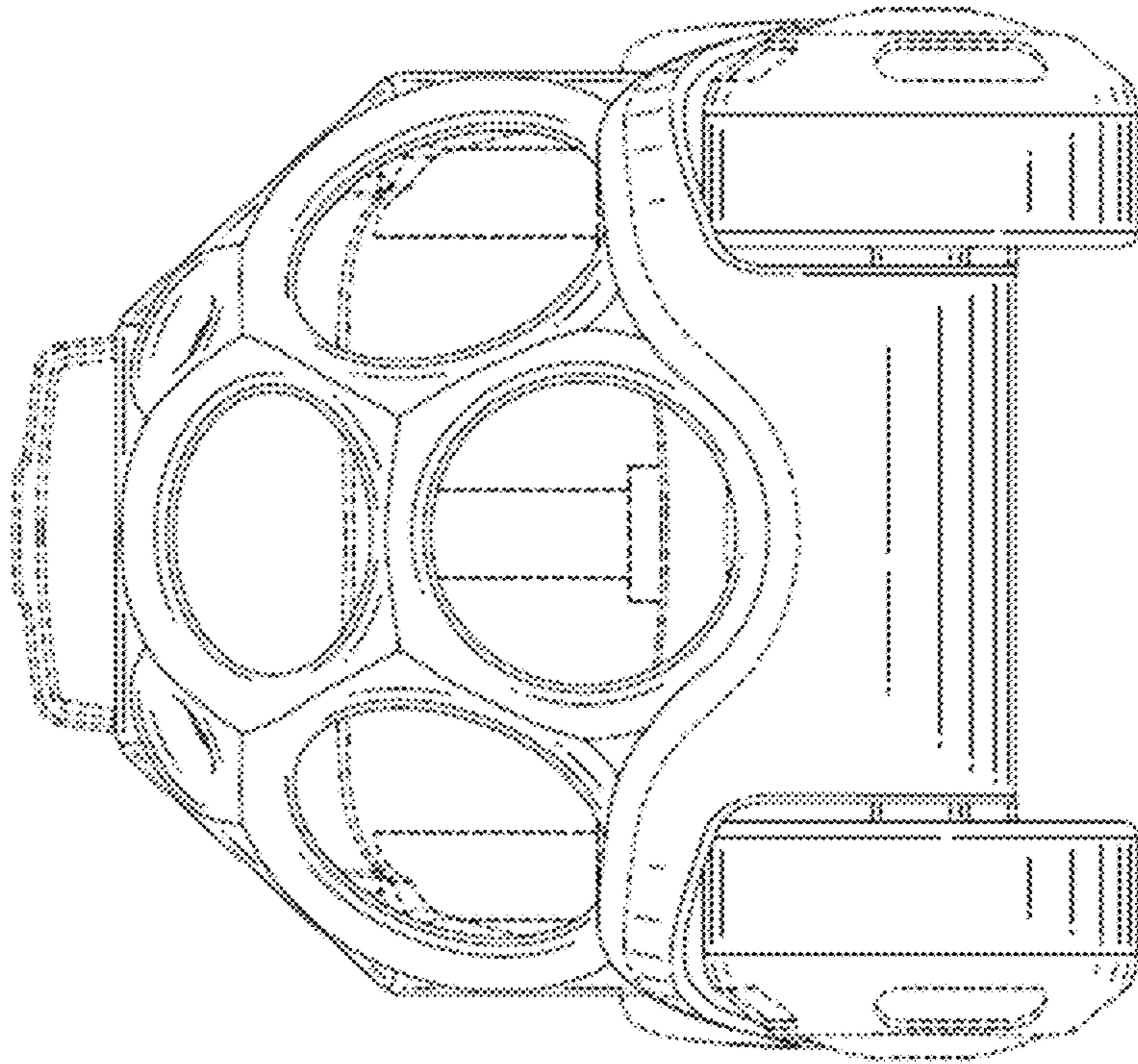
*Fig. 1*



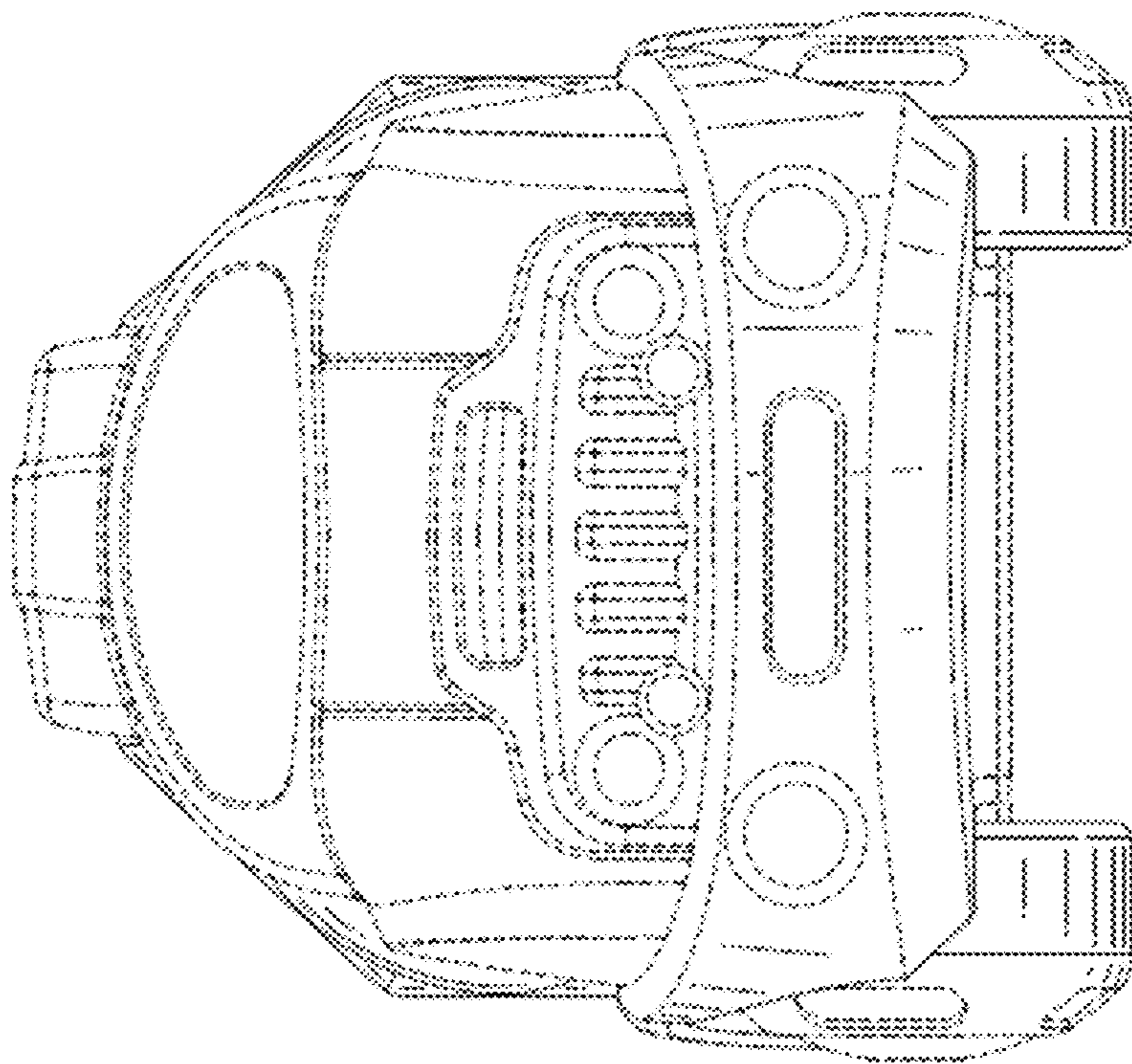
*Fig. 2*





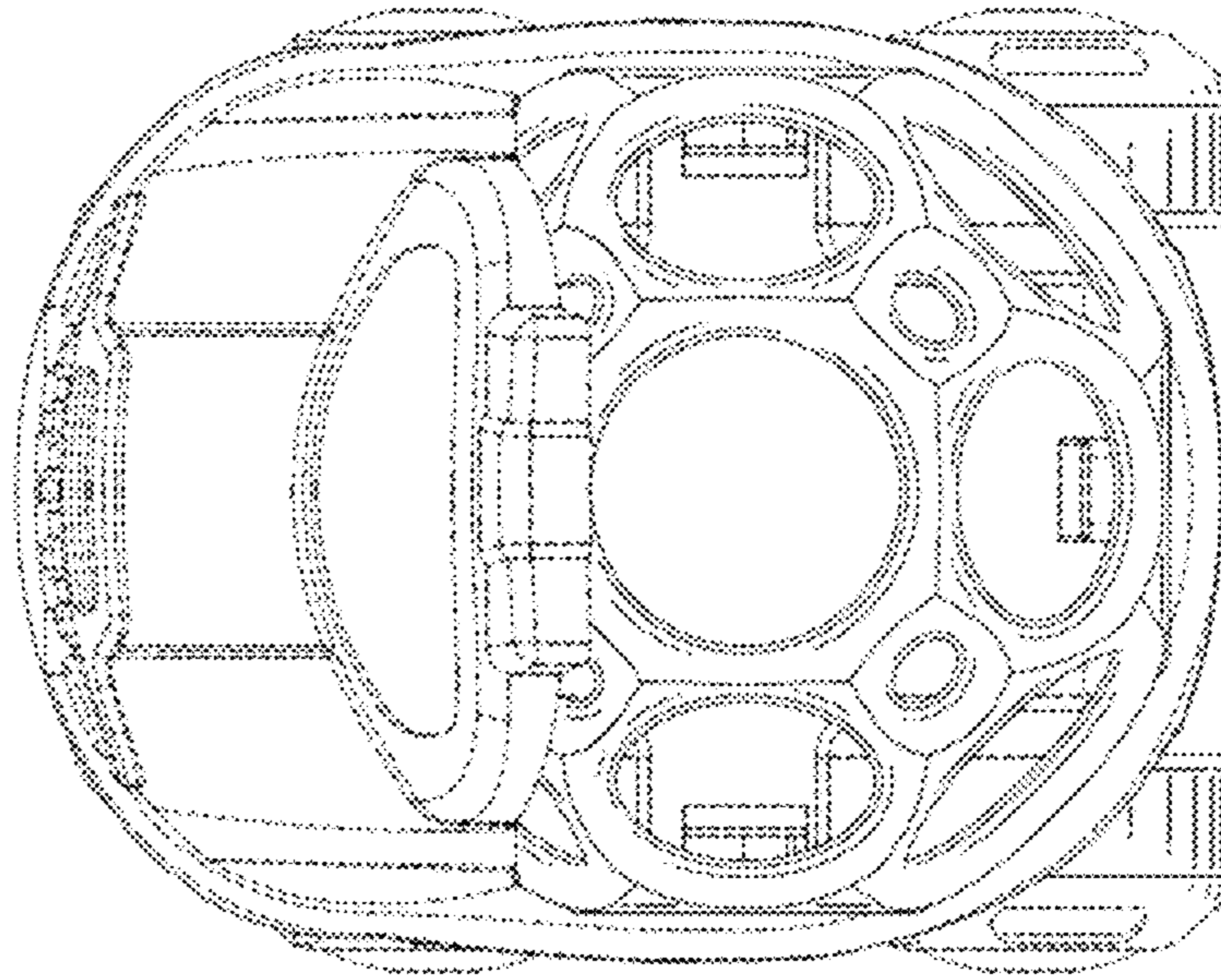


*FIG. 1*



*FIG. 2*

*FIG. 5*



*FIG. 6*

