



US00D840476S

(12) **United States Design Patent**
Sheldon

(10) **Patent No.:** **US D840,476 S**

(45) **Date of Patent:** **** Feb. 12, 2019**

(54) **KID'S MICROPHONE**
(71) Applicant: **MerchSource, LLC**, Irvine, CA (US)
(72) Inventor: **Robert W. Sheldon**, Winnetka, IL (US)
(73) Assignee: **MerchSource, LLC**, Irvine, CA (US)
(**) Term: **15 Years**
(21) Appl. No.: **29/610,111**

5,495,357 A * 2/1996 Osterhout H04B 1/38
340/4.4
5,675,660 A * 10/1997 Townsend H04R 1/086
381/189
D430,232 S * 8/2000 She D14/225
6,297,438 B1 * 10/2001 Por Paul G10H 1/32
446/397
D479,837 S * 9/2003 Sundquist D14/228
6,923,708 B1 * 8/2005 Coons A63H 5/00
446/397
D588,203 S * 3/2009 Anderson D17/22
D647,082 S * 10/2011 Rawson D14/228
8,496,509 B2 * 7/2013 Faecher A63H 33/28
446/15

(22) Filed: **Jul. 10, 2017**
(51) **LOC (11) Cl.** **21-01**
(52) **U.S. Cl.**
USPC **D21/513**; D14/228; D21/405
(58) **Field of Classification Search**
USPC D21/398, 405, 406-408, 483, 513, 517;
D14/225-228, 497; 446/76, 81, 141, 142,
446/144, 175, 297, 397, 404, 408, 419,
446/421, 484; 381/355-366; 455/95
CPC A63H 33/00; A63H 33/26; A63H 33/30;
A63H 33/3016; A63H 33/3027; A63H
33/42; A63H 5/00; H04R 1/08; H04R
1/083; H04R 1/086
See application file for complete search history.

(Continued)

FOREIGN PATENT DOCUMENTS

CN 300815793 * 8/2008
CN 301004518 * 9/2009

(Continued)

Primary Examiner — Catherine A Tuttle
(74) *Attorney, Agent, or Firm* — Avyno Law P.C.

(57) **CLAIM**

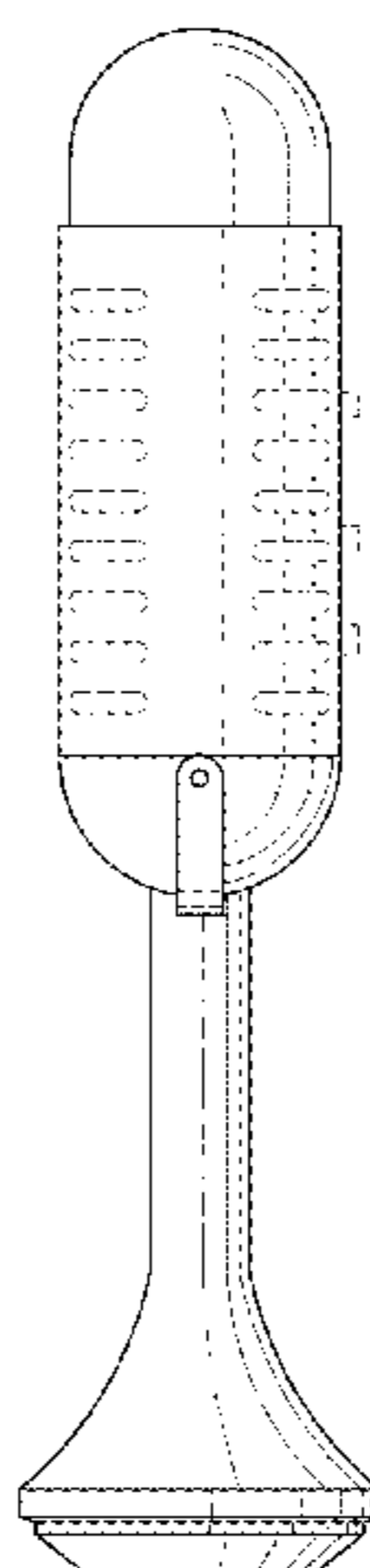
I claim the ornamental design for a kid's microphone, as shown and described.

DESCRIPTION

FIG. 1 is a front perspective view of a kid's microphone showing my new design.
FIG. 2 is a front view thereof;
FIG. 3 is a rear view thereof;
FIG. 4 is a right side view thereof;
FIG. 5 is a left side view thereof;
FIG. 6 is a top view thereof; and,
FIG. 7 is a bottom view thereof.
The broken lines shown are included for the purpose of illustrating the portions of the kid's microphone that form no part of the claimed design.

1 Claim, 4 Drawing Sheets

(56) **References Cited**
U.S. PATENT DOCUMENTS
258,381 A * 5/1882 Converse A63H 5/00
446/215
455,671 A * 7/1891 Sellers A63H 5/00
446/192
2,131,593 A * 9/1938 Marshall H04R 1/083
181/148
D189,720 S * 2/1961 Burroughs D14/228
D247,707 S * 4/1978 Armstrong D14/228
D296,100 S * 6/1988 Kubota D14/228
D317,472 S * 6/1991 Sasaki D14/225
5,127,870 A * 7/1992 Lin A63H 5/00
181/138



(56)

References Cited

U.S. PATENT DOCUMENTS

D746,269 S * 12/2015 Chen D14/227
9,712,904 B1 * 7/2017 Harden H04R 1/08
2001/0034177 A1 * 10/2001 Hunn A63H 5/00
446/73
2007/0259594 A1 * 11/2007 Galbiati A63H 5/00
446/15
2012/0002975 A1 * 1/2012 Nakazawa H04B 10/1141
398/132
2013/0004010 A1 * 1/2013 Royer H04R 1/08
381/368
2013/0045659 A1 * 2/2013 Tobias A63H 3/48
446/376

FOREIGN PATENT DOCUMENTS

CN 301134732 * 2/2010
CN 301751105 * 12/2011
CN 302672028 * 12/2013
CN 302816135 * 5/2014
CN 303019635 * 12/2014
CN 304150954 * 5/2017
CN 304175577 * 6/2017
FR 2619274 A1 * 2/1989 H04R 1/08

* cited by examiner

FIG. 1

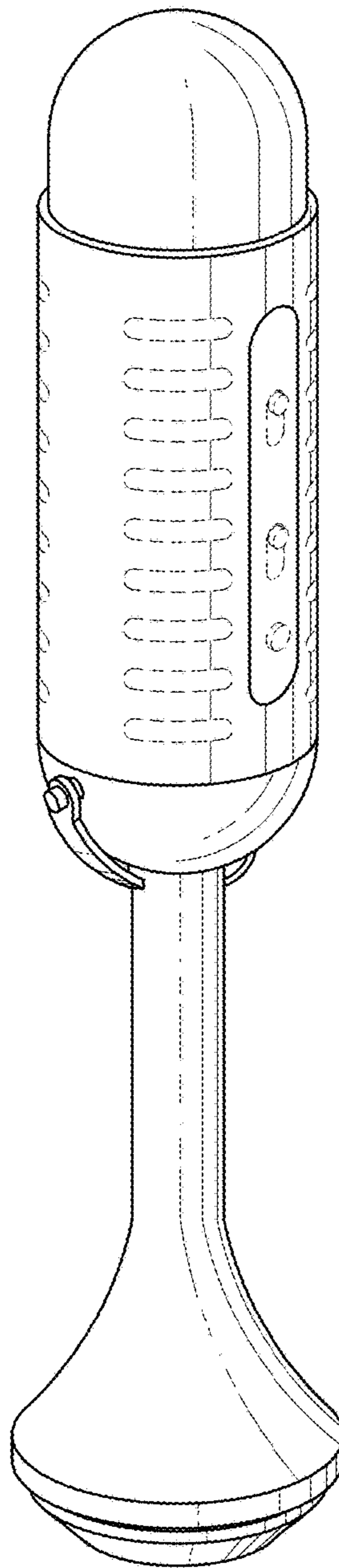


FIG. 2

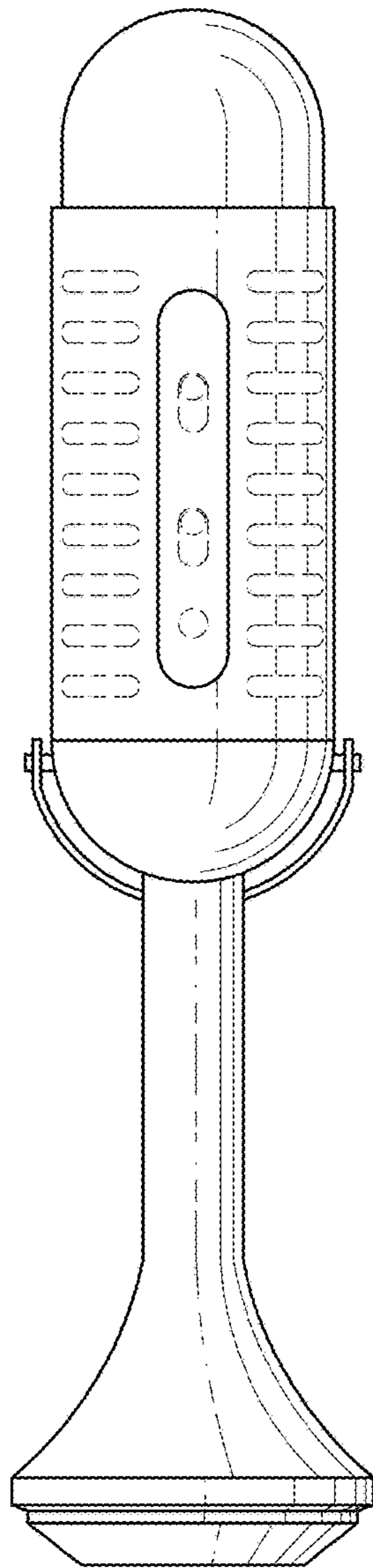


FIG. 3

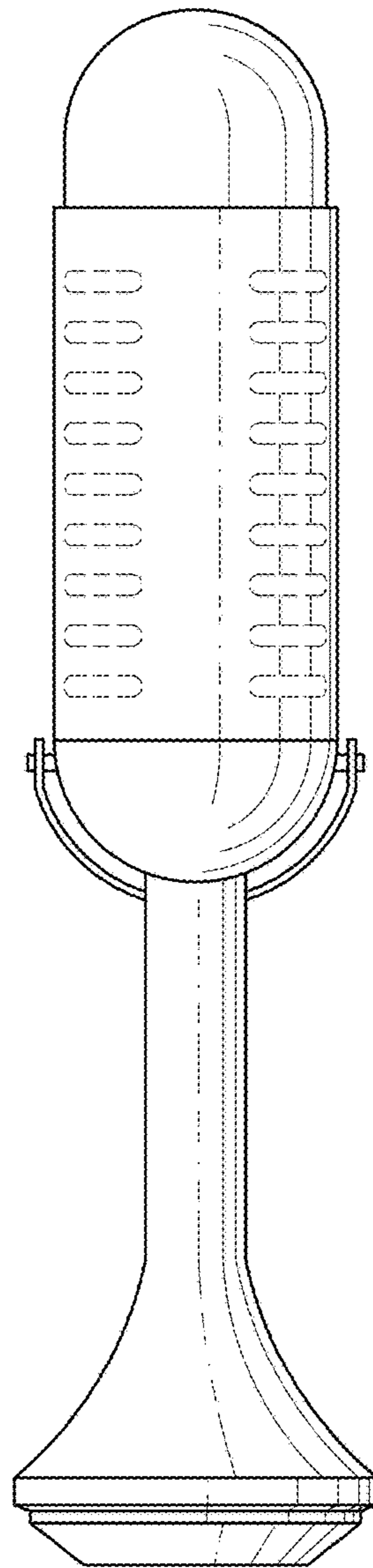


FIG. 4

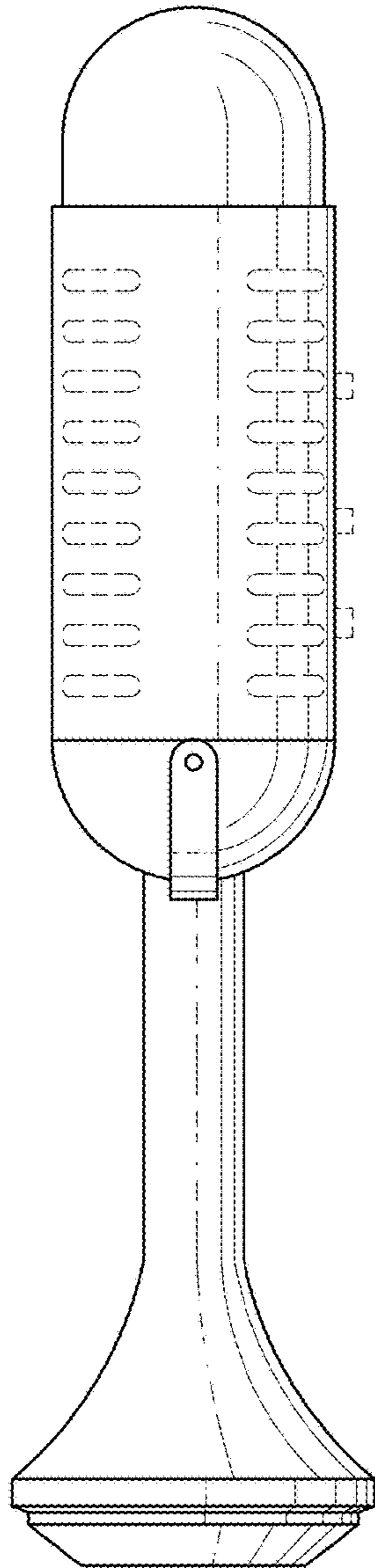
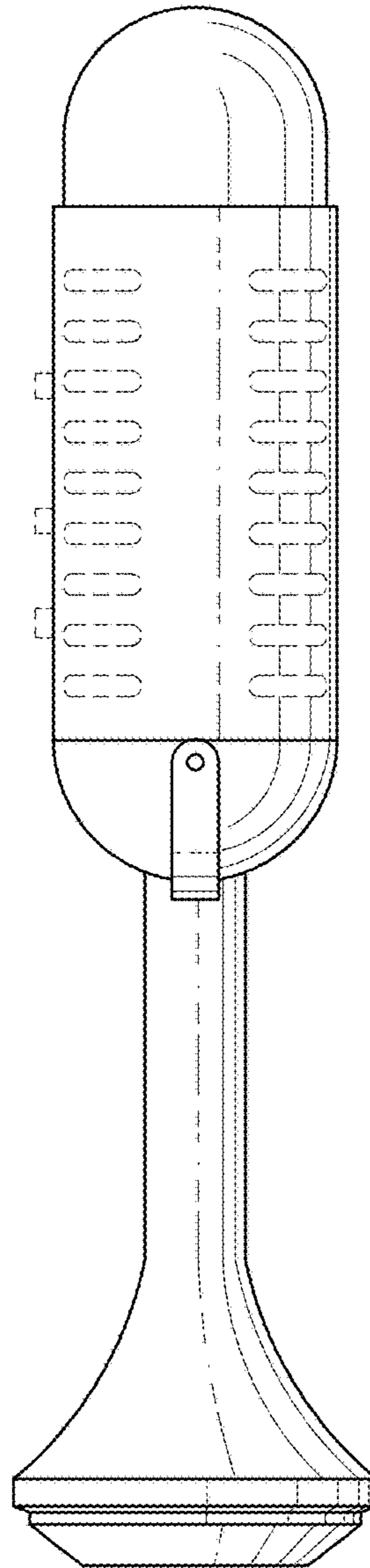


FIG. 5



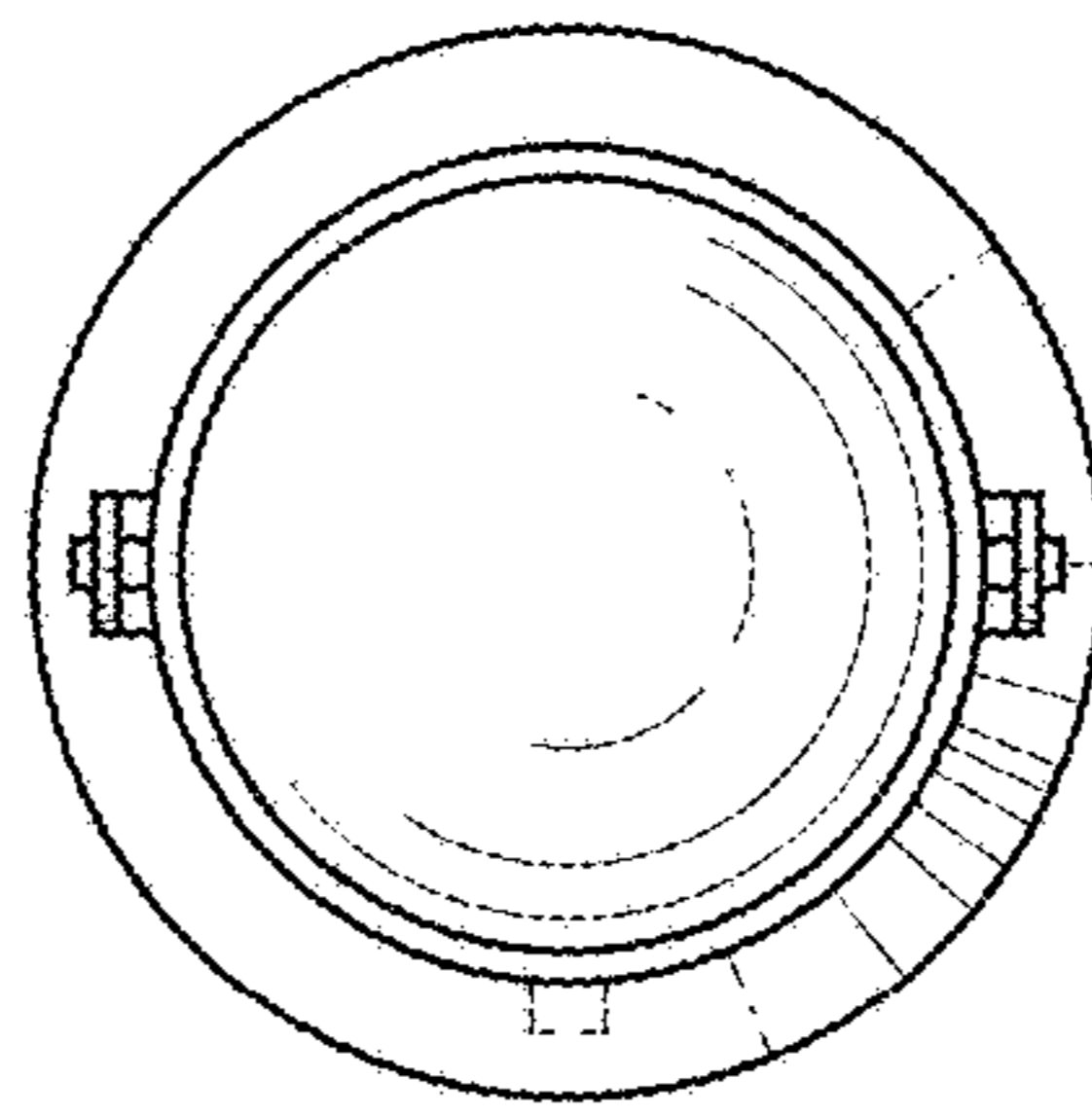


FIG. 6

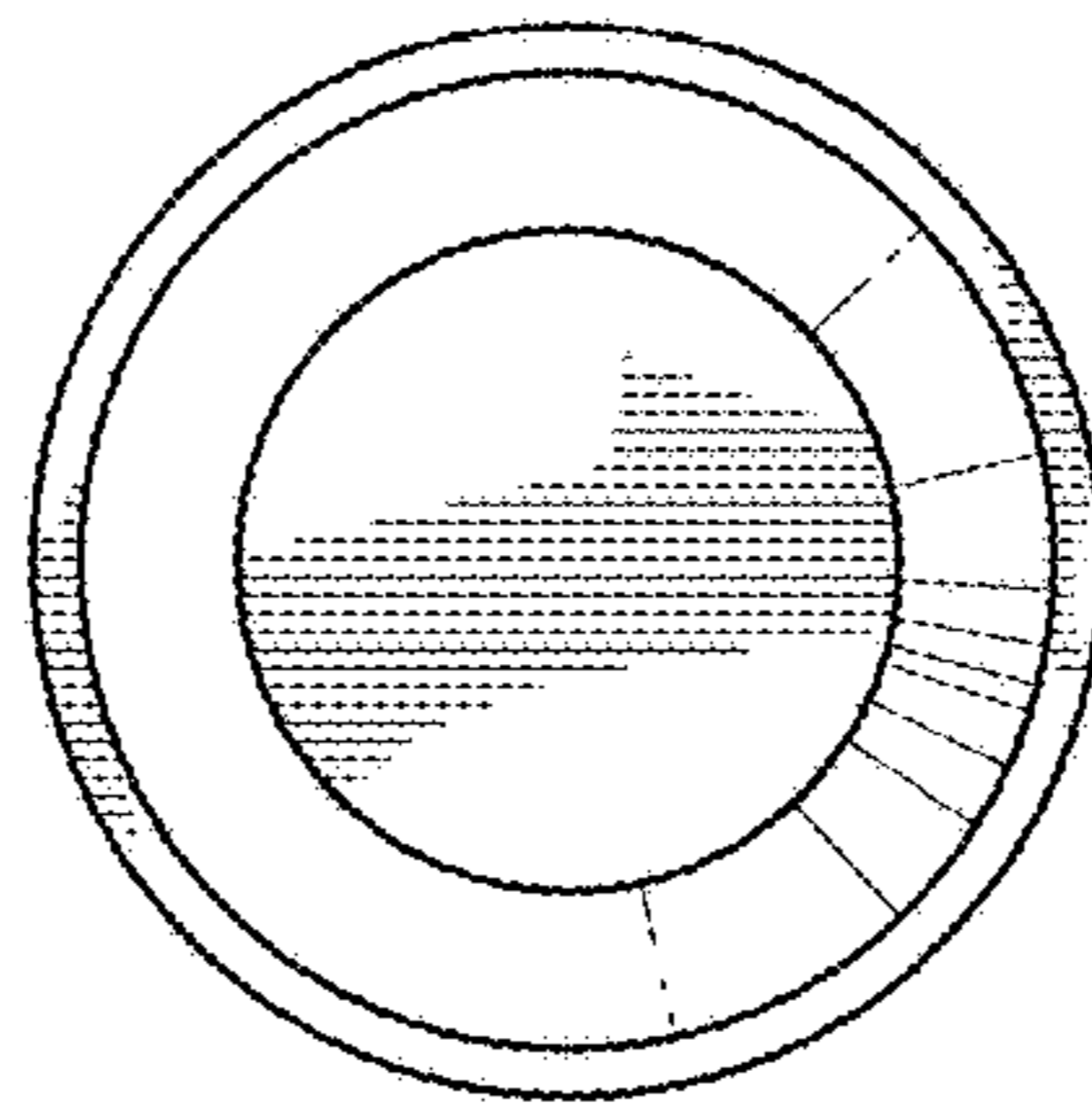


FIG. 7