



US00D840473S

(12) **United States Design Patent** (10) **Patent No.:** **US D840,473 S**  
**Klosky** (45) **Date of Patent:** **\*\* Feb. 12, 2019**

(54) **FOLDER**

(74) *Attorney, Agent, or Firm* — Calfee, Halter & Griswold, LLP

(71) Applicant: **IdeaStream Consumer Products, LLC**, Cleveland, OH (US)

(57) **CLAIM**

(72) Inventor: **Eric Fitzgerald Klosky**, Chagrin Falls, OH (US)

I claim the ornamental design for a folder, as shown and described.

(73) Assignee: **Mayfran International, Inc.**, Cleveland, OH (US)

**DESCRIPTION**

(\*\*) Term: **15 Years**

(21) Appl. No.: **29/580,307**

(22) Filed: **Oct. 7, 2016**

**Related U.S. Application Data**

(60) Division of application No. 29/510,697, filed on Dec. 2, 2014, now Pat. No. Des. 771,747, which is a  
(Continued)

(51) **LOC (11) Cl.** ..... **19-02**

(52) **U.S. Cl.**  
USPC ..... **D19/90**

(58) **Field of Classification Search**  
USPC ..... D19/26–33, 86, 90, 91  
(Continued)

(56) **References Cited**

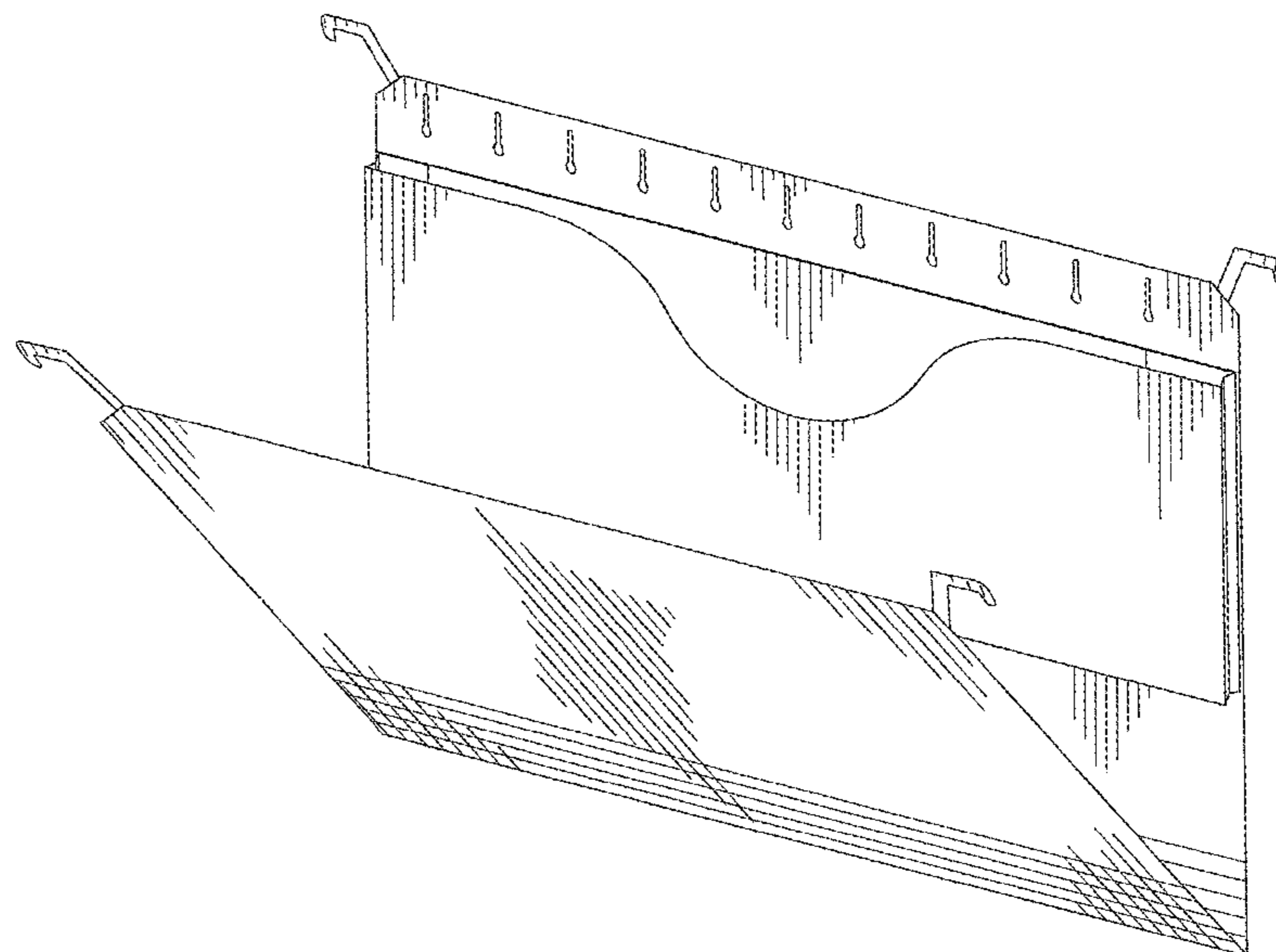
**U.S. PATENT DOCUMENTS**

404,594 A \* 6/1889 Buhler ..... B42F 7/06  
206/215  
639,451 A \* 12/1899 Smalley ..... B42D 3/04  
281/34

(Continued)

*Primary Examiner* — Elizabeth A. Albert

**1 Claim, 10 Drawing Sheets**



**Related U.S. Application Data**

division of application No. 29/462,107, filed on Jul. 31, 2013, now Pat. No. Des. 719,214, which is a continuation of application No. 29/388,222, filed on Mar. 25, 2011, now Pat. No. Des. 689,548.

(58) **Field of Classification Search**

CPC ..... B42F 7/00; B42F 7/02; B42F 7/06; B42F 7/08; B42F 15/0035; B42F 15/0052; B42F 15/0064; B42F 21/02; B42P 2241/06

See application file for complete search history.

(56) **References Cited**

U.S. PATENT DOCUMENTS

726,843 A \* 5/1903 Becker ..... B42F 17/08  
206/425  
1,952,753 A \* 3/1934 Harden ..... B42F 7/08  
229/120.09  
2,291,675 A \* 8/1942 Arelt ..... B42F 21/065  
108/60  
2,329,201 A \* 9/1943 Jonas ..... B42F 17/00  
312/184  
2,633,848 A \* 4/1953 Voss ..... B42F 7/06  
229/67.1  
2,800,907 A \* 7/1957 Jonas ..... B42F 15/0094  
211/162  
3,360,027 A \* 12/1967 Price ..... A45C 11/18  
150/132  
3,971,507 A \* 7/1976 Stevenson ..... B65D 27/00  
229/72  
3,979,051 A \* 9/1976 Close ..... B65D 27/08  
229/72  
4,053,057 A \* 10/1977 Snowden ..... B42F 21/06  
211/126.13  
4,149,667 A \* 4/1979 Riley ..... B65D 27/08  
229/72  
D284,822 S \* 7/1986 Walsh ..... D19/91  
D298,265 S \* 10/1988 Snider ..... D19/90  
4,830,268 A \* 5/1989 Pitts ..... B42F 15/04  
229/67.1  
4,850,731 A \* 7/1989 Youngs ..... B42F 5/005  
206/308.1  
D307,445 S \* 4/1990 Greenhut ..... D19/78  
5,066,045 A \* 11/1991 Hawes, Jr. .... B42F 15/0035  
211/126.13  
D325,048 S \* 3/1992 Penner ..... D19/86  
D329,943 S \* 10/1992 Laszlo ..... 281/38  
D334,588 S \* 4/1993 Okola ..... D19/27  
5,261,636 A \* 11/1993 Hawes, Jr. .... B42F 15/0035  
229/67.2  
5,275,439 A \* 1/1994 Hawes, Jr. .... B42F 15/0035  
229/67.2

D381,690 S \* 7/1997 Anderson ..... D19/86  
D392,685 S \* 3/1998 Smith ..... D20/27  
5,833,271 A \* 11/1998 Foster ..... B42C 7/001  
281/45  
6,063,226 A \* 5/2000 Foster ..... B42C 7/001  
156/250  
6,109,432 A \* 8/2000 Pozzoli ..... G11B 33/0444  
206/232  
D431,408 S \* 10/2000 Drew ..... D6/407  
D431,719 S \* 10/2000 Mucarquer ..... D3/247  
D435,188 S \* 12/2000 O'Mullane ..... D6/407  
D491,407 S \* 6/2004 Martinetti ..... D19/33  
6,745,896 B2 \* 6/2004 Palmer ..... G11B 33/0422  
206/232  
6,845,863 B1 \* 1/2005 Riley ..... A45C 11/182  
150/147  
6,883,460 B2 \* 4/2005 Weisenfeld ..... B42F 21/065  
116/234  
D509,955 S \* 9/2005 Williams ..... D3/247  
6,976,449 B2 \* 12/2005 Weisenfeld ..... B42F 21/00  
116/234  
D515,134 S \* 2/2006 Stewart, III ..... D19/9  
7,025,382 B2 \* 4/2006 Wiggins ..... B42F 21/065  
229/67.1  
D522,575 S \* 6/2006 Smith ..... D19/33  
7,059,483 B2 \* 6/2006 Scudder ..... B42F 15/0035  
211/183  
7,108,169 B2 \* 9/2006 Balzer ..... B42F 7/02  
206/308.1  
7,275,678 B2 \* 10/2007 Hodsdon ..... B65D 27/00  
229/75  
D582,192 S \* 12/2008 Pan ..... D19/90  
D604,983 S \* 12/2009 Rossell ..... D19/3  
7,841,114 B2 \* 11/2010 McCarthy ..... B42F 21/065  
40/359  
7,954,694 B2 \* 6/2011 DeCarlo ..... B42F 7/00  
229/67.2  
D677,053 S \* 3/2013 Lyons ..... D3/300  
8,418,849 B2 \* 4/2013 Davis ..... B42F 5/005  
206/308.1  
D733,798 S \* 7/2015 Russell ..... D19/26  
D734,390 S \* 7/2015 Christensen ..... D19/26  
D736,520 S \* 8/2015 Gross ..... D3/300  
9,156,303 B2 \* 10/2015 DeCarlo ..... B42F 21/025  
9,290,033 B2 \* 3/2016 Russell ..... B42F 7/06  
9,296,247 B2 \* 3/2016 Christensen ..... B42C 7/002  
D827,710 S \* 9/2018 Fulmore ..... D19/91  
2008/0218044 A1 \* 9/2008 Unda ..... B42F 15/0035  
312/321  
2009/0101605 A1 \* 4/2009 Goodfellow ..... B42F 15/0035  
211/46  
2012/0125985 A1 \* 5/2012 Christensen ..... B42D 1/10  
229/67.3  
2017/0225501 A1 \* 8/2017 Christensen ..... B42D 1/10

\* cited by examiner

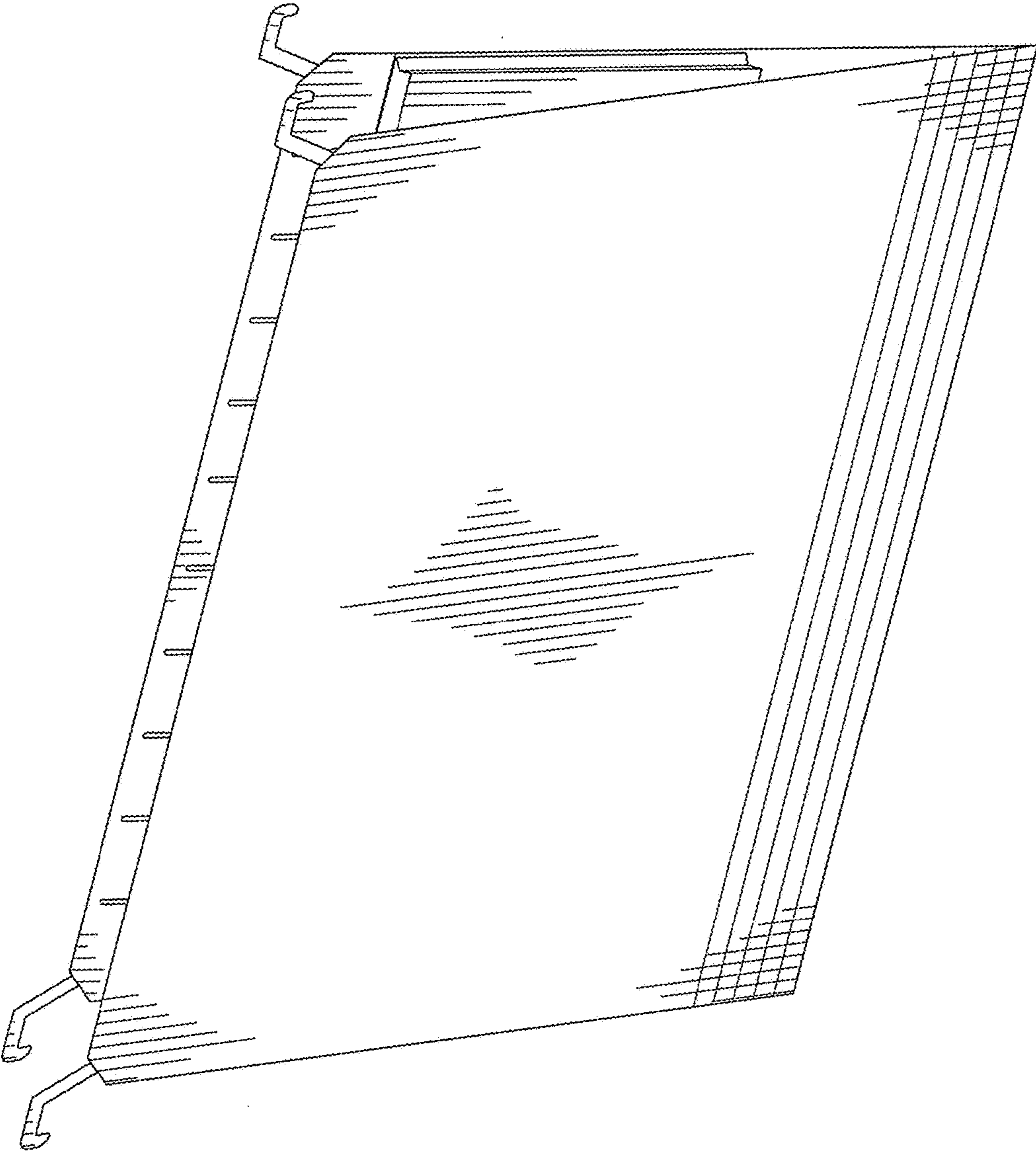


FIG. 1

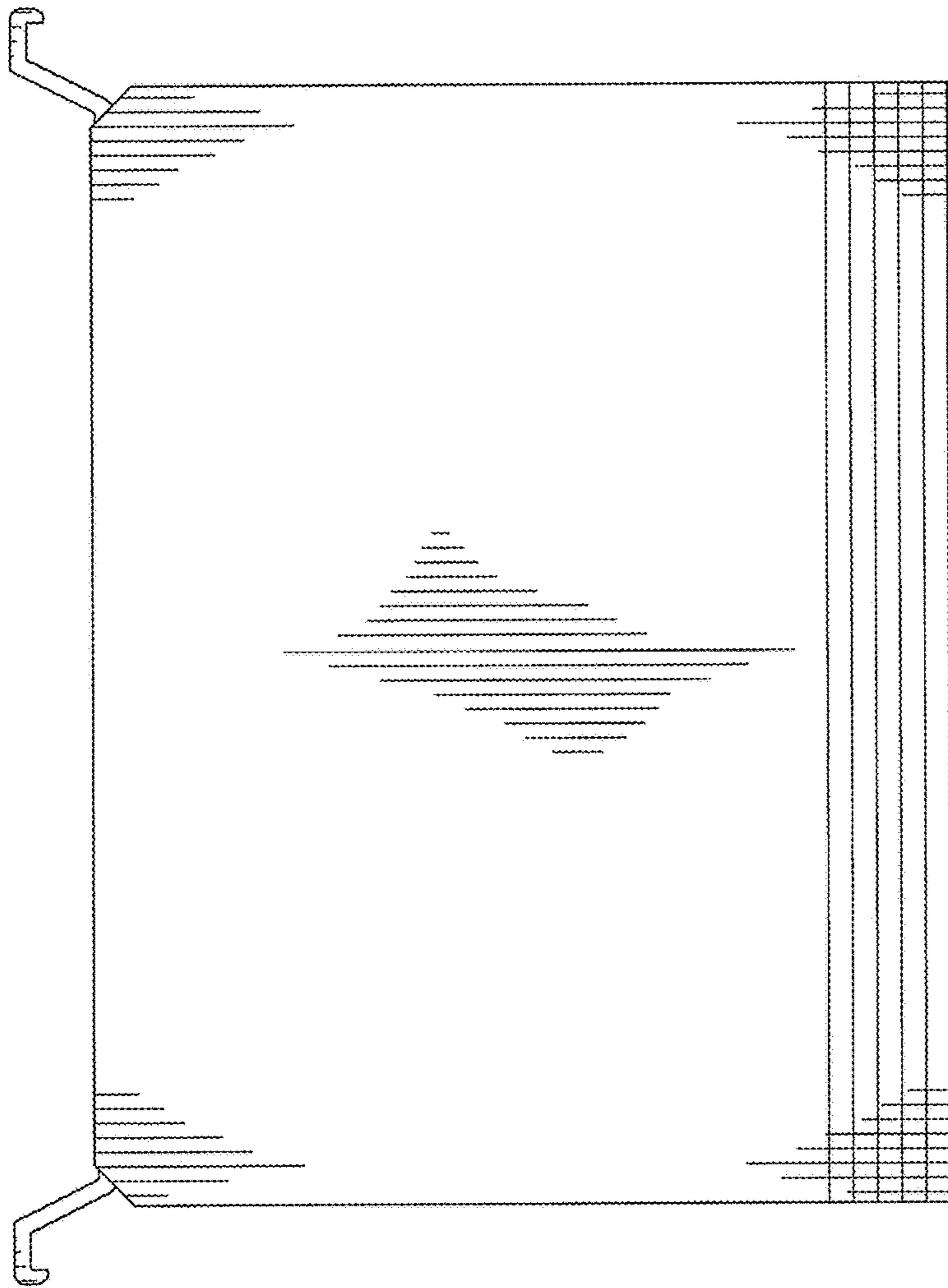


FIG. 2



FIG. 3

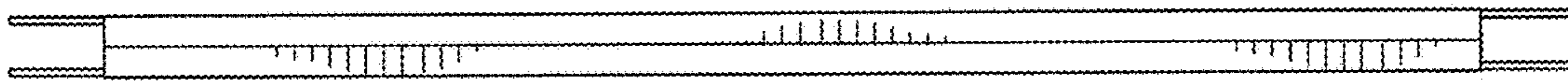


FIG. 4

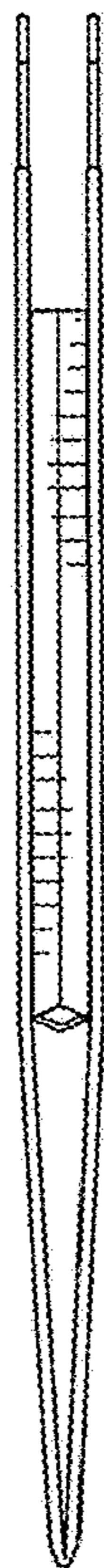


FIG. 5

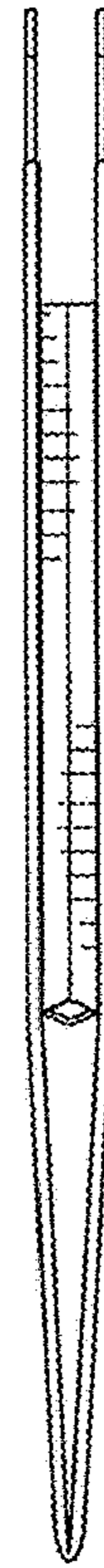


FIG. 6

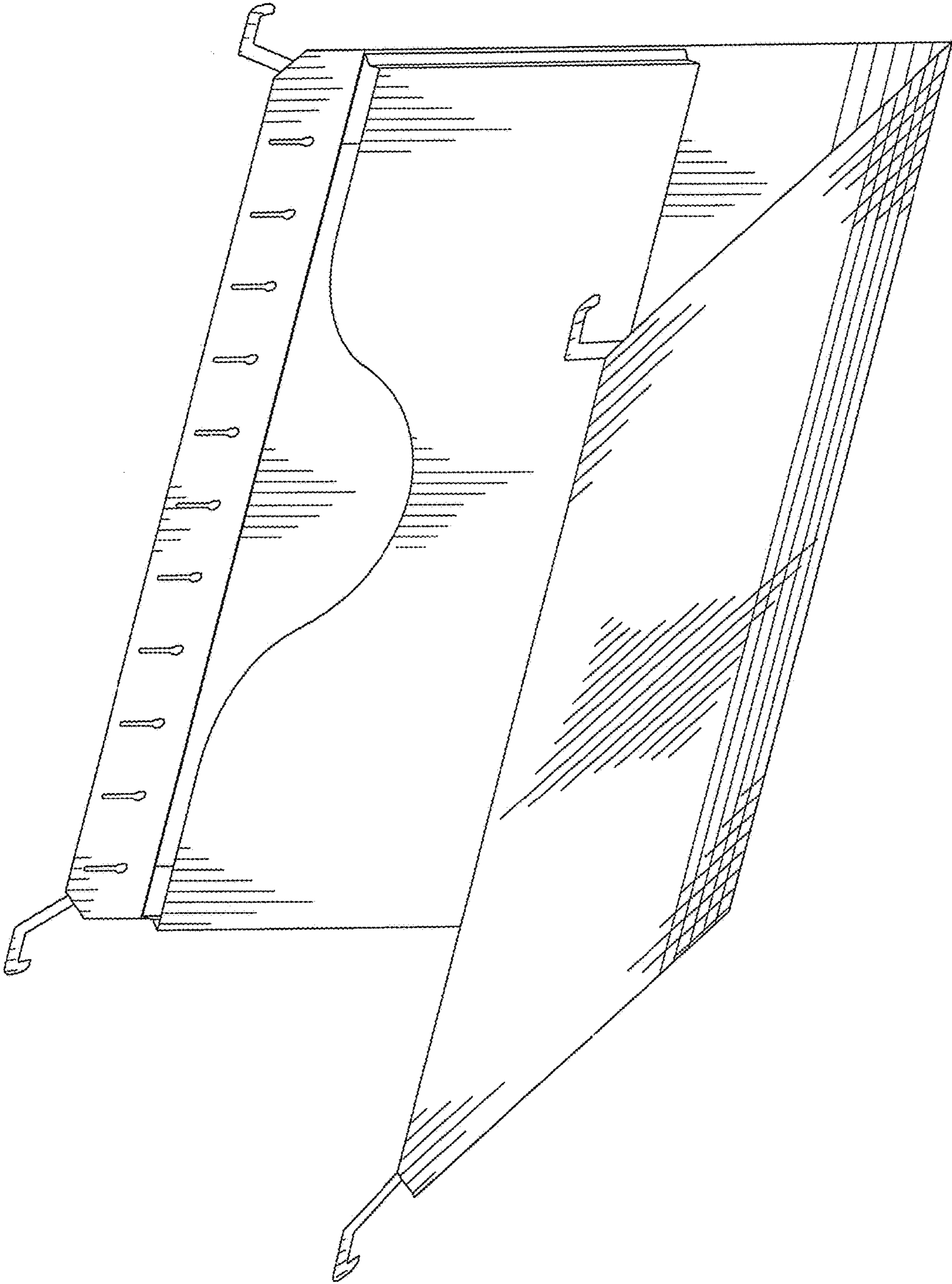


FIG. 7

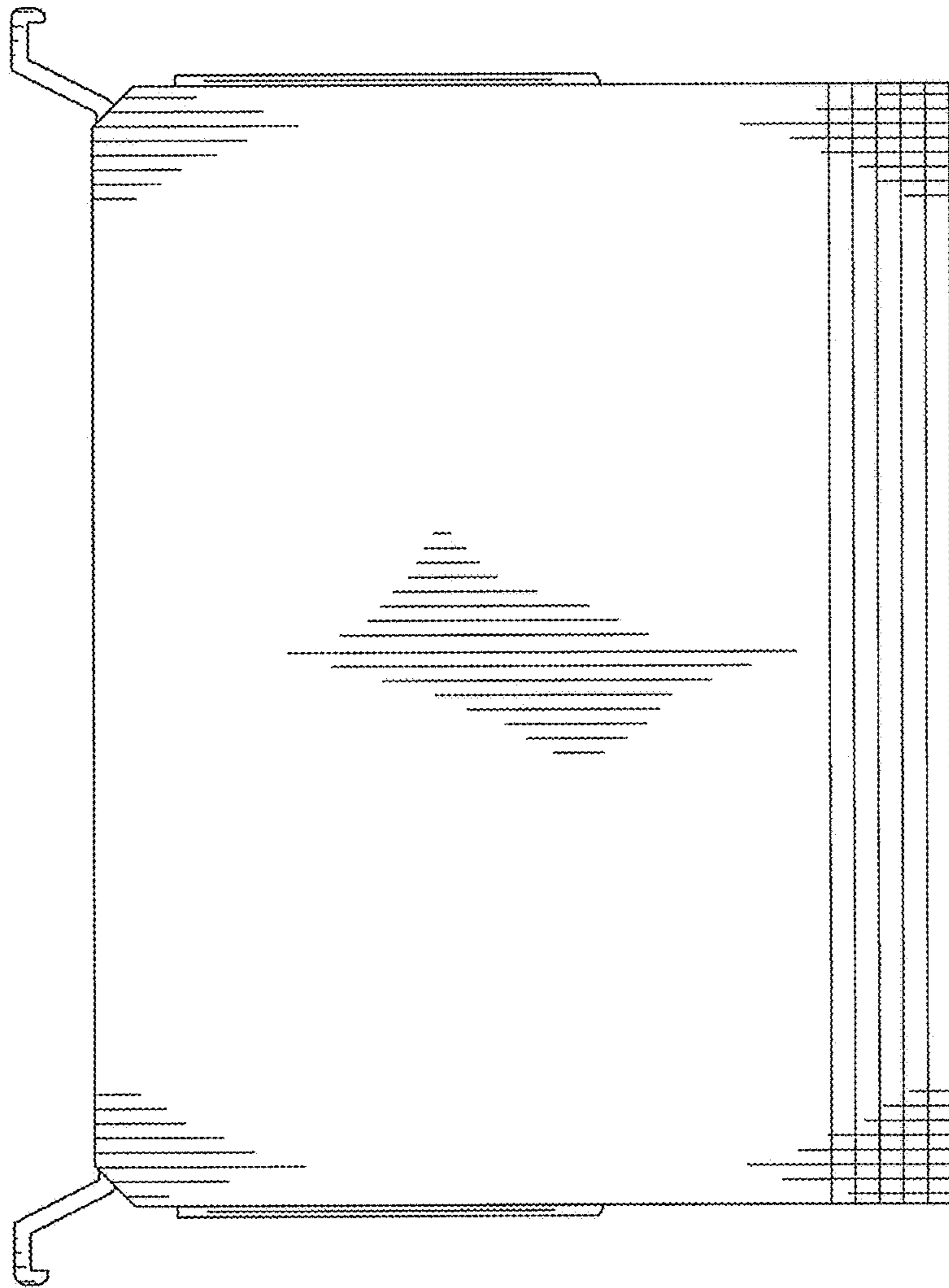


FIG. 8

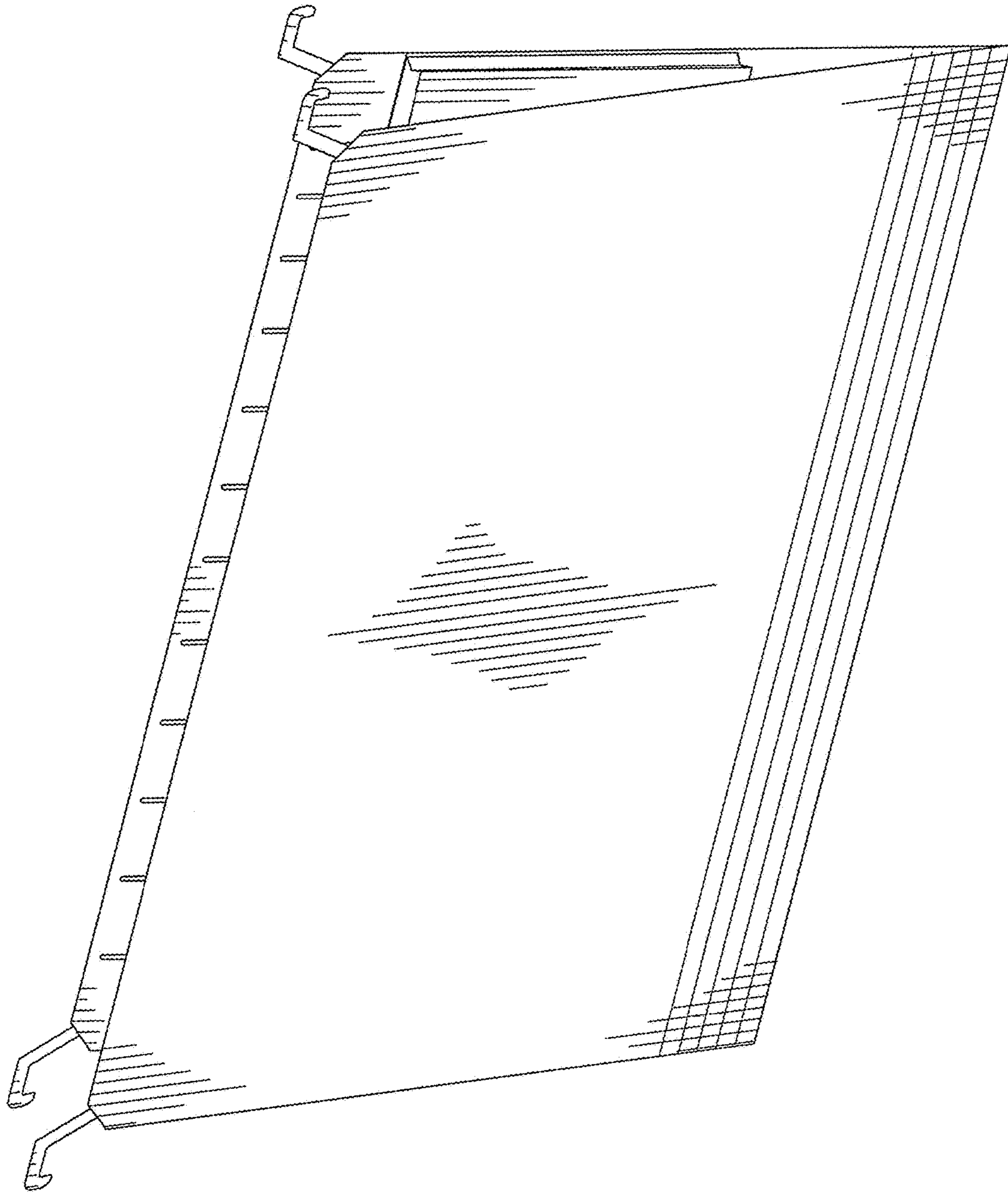


FIG. 9



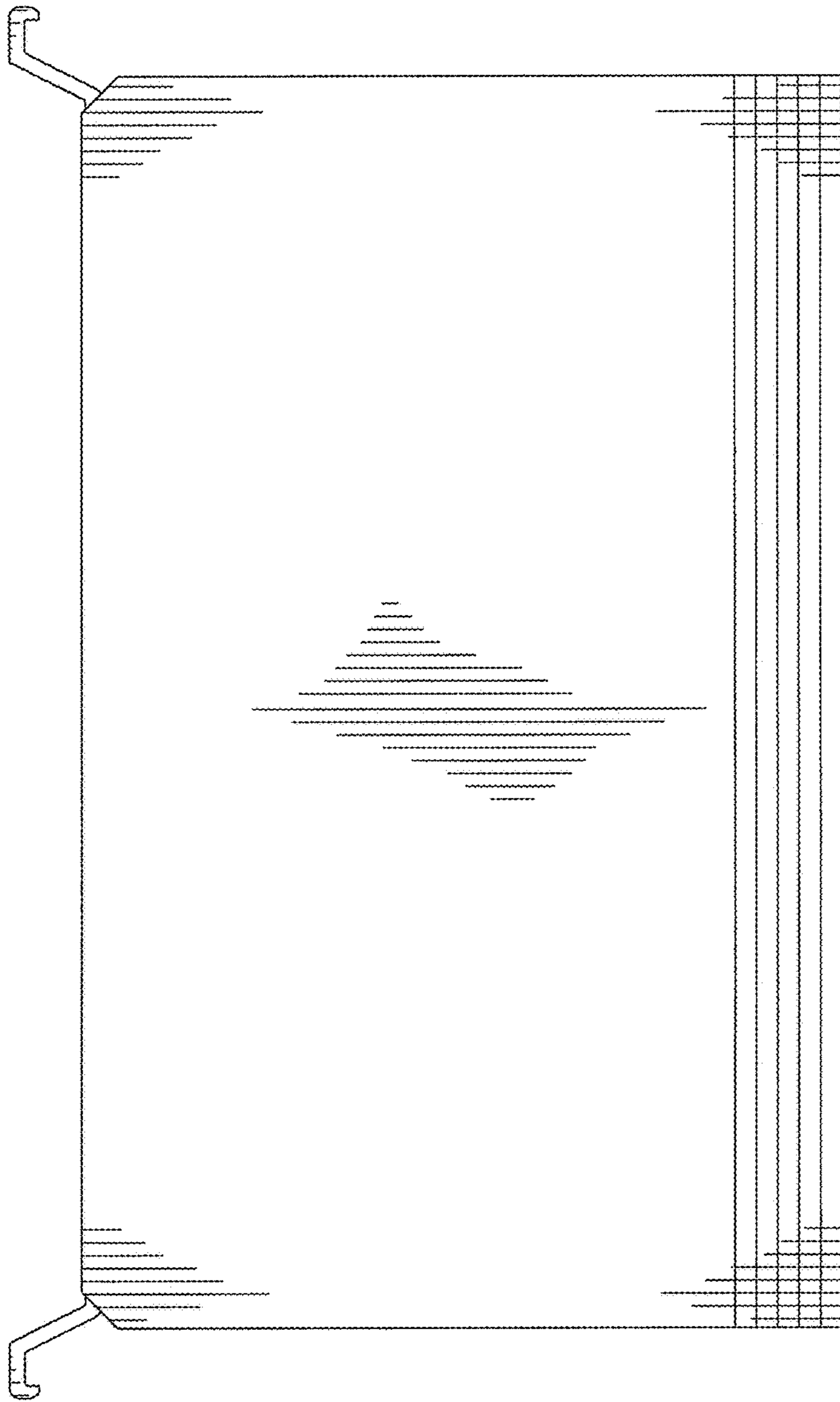


FIG. 10

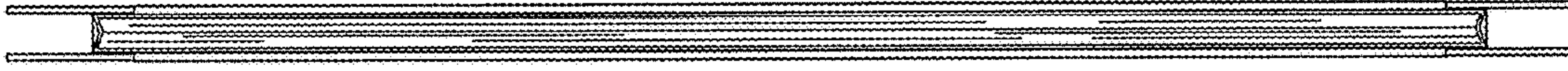


FIG. 11

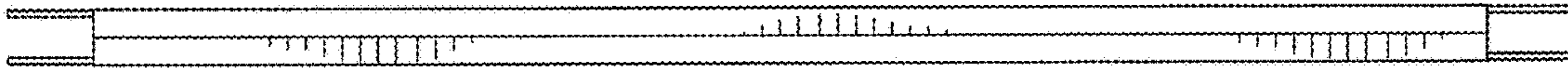


FIG. 12

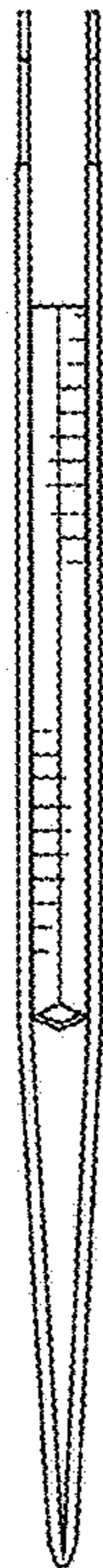


FIG. 13

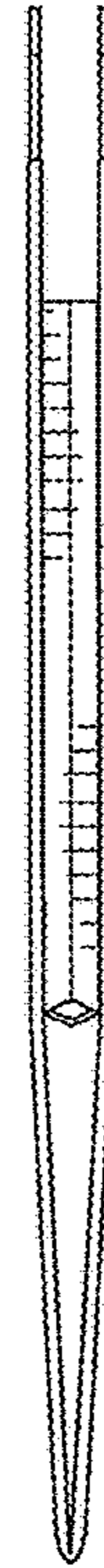


FIG. 14

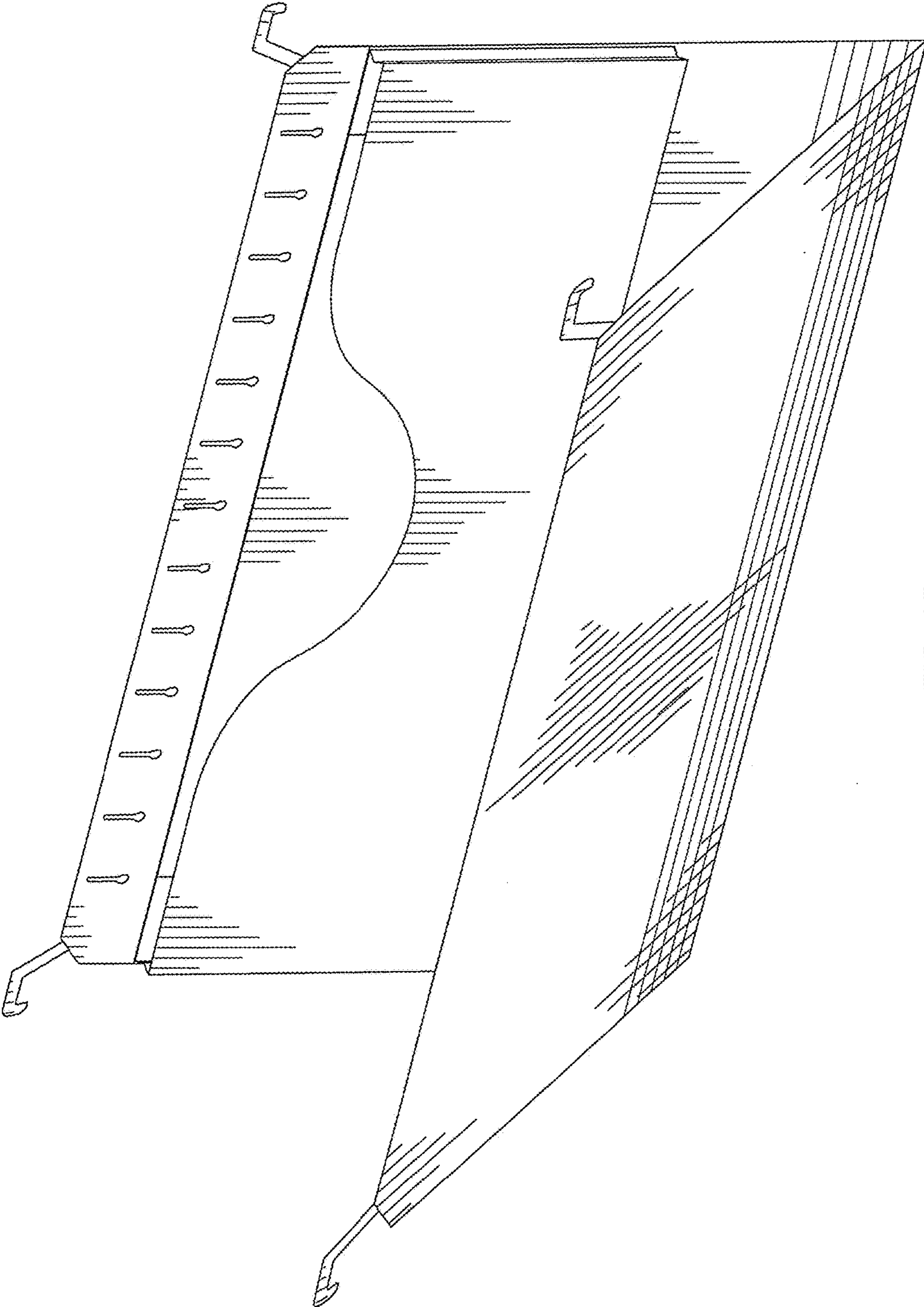


FIG. 15

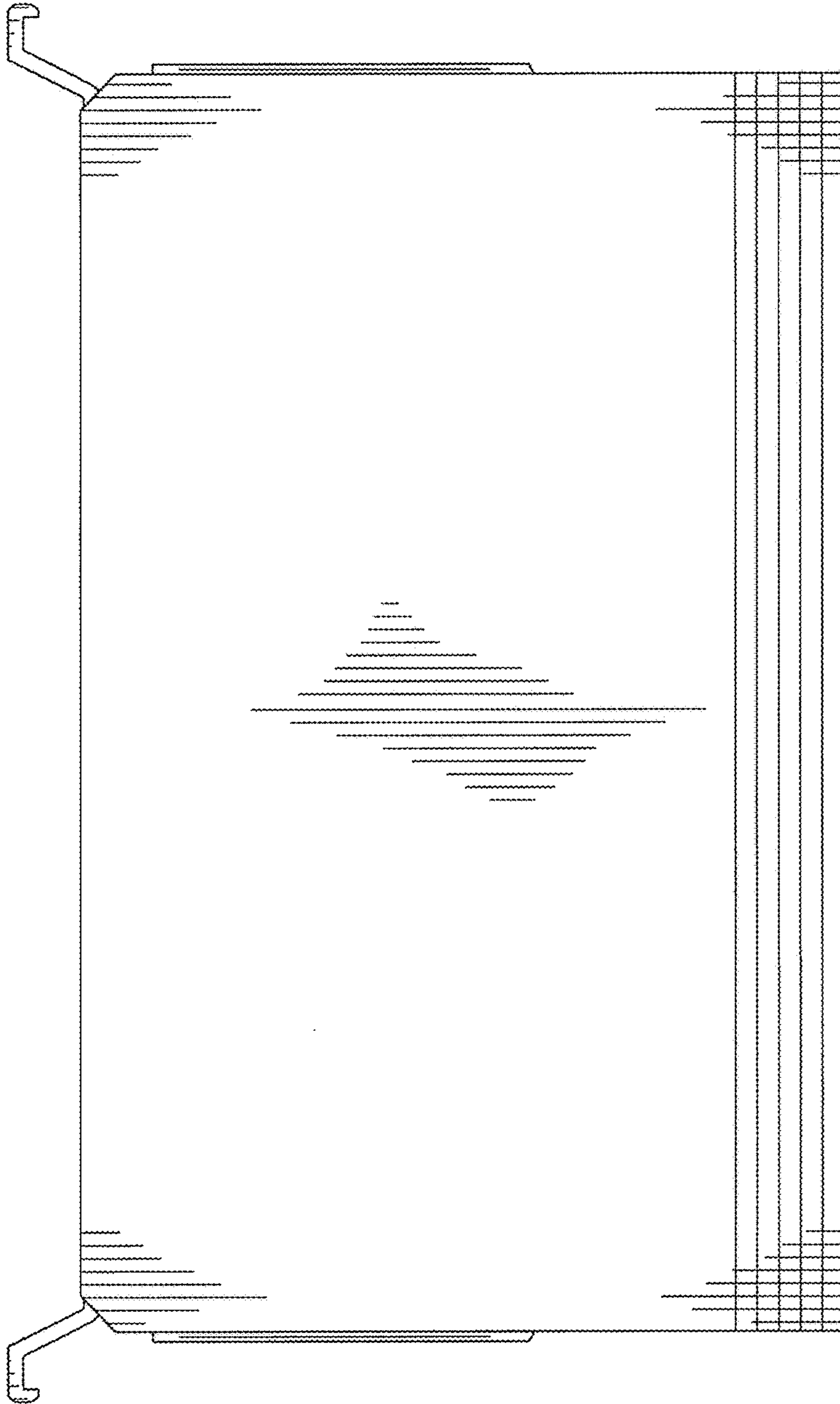


FIG. 16