

US00D840468S

(12) **United States Design Patent** (10) **Patent No.:** **US D840,468 S**
Tu et al. (45) **Date of Patent:** **** Feb. 12, 2019**

(54) **MULTI-FUNCTION PRINTER**
(71) Applicant: **AVISION INC.**, Hsinchu (TW)
(72) Inventors: **Chin-Jung Tu**, Hsinchu (TW);
Te-Hsun Liou, Hsinchu (TW);
Chao-Yu Peng, Hsinchu (TW);
Shao-Lan Sheng, Hsinchu (TW)
(73) Assignee: **Avision Inc.** (TW)
(**) Term: **15 Years**

D447,765 S * 9/2001 Hatanaka D18/39
D461,125 S * 8/2002 Decello D9/432
D461,405 S * 8/2002 Hacker D9/432
D462,903 S * 9/2002 Yuen D9/432
D464,566 S * 10/2002 Anchor D9/432
D464,878 S * 10/2002 Thompson D9/415
D466,412 S * 12/2002 Baskinger D9/432
D468,762 S * 1/2003 Kurita D18/39
D502,210 S * 2/2005 Katori D14/463
D536,372 S * 2/2007 Lim D14/463
D548,071 S * 8/2007 Chen D9/432
D549,576 S * 8/2007 Gray D9/432
D549,770 S * 8/2007 Clark, III D18/39
D554,649 S * 11/2007 Yamagata D14/463

(Continued)

(21) Appl. No.: **29/547,439**

(22) Filed: **Dec. 3, 2015**

(51) **LOC (11) Cl.** **18-02**

(52) **U.S. Cl.**
USPC **D18/56**

(58) **Field of Classification Search**
USPC D14/462, 463, 468, 471; D18/36, 37, 38,
D18/39, 40, 41, 44, 45, 46, 47, 48, 49;
271/3.14, 8.1, 226, 278; 355/97, 99;
358/1.1; 399/1, 2, 3, 4, 5, 6, 7, 16, 75,
399/81, 107, 130, 151, 361, 365, 367,
399/381, 382, 383, 388; D9/432
CPC G03G 21/00; G03G 15/00
See application file for complete search history.

(56) **References Cited**

U.S. PATENT DOCUMENTS

D244,993 S * 7/1977 Drysdale D9/432
D311,755 S * 10/1990 Aoyama D18/49
D320,409 S * 10/1991 Kosako D18/39
D328,095 S * 7/1992 Sugihara D18/38
D362,619 S * 9/1995 Haas D9/418
D384,277 S * 9/1997 Lenterman D9/432
D390,256 S * 2/1998 Shibata D18/39
D399,135 S * 10/1998 Mecca D9/423
D404,066 S * 1/1999 Sakata D18/36
D433,439 S * 11/2000 Yoshida D14/421
D443,635 S * 6/2001 Ogawa D18/39

OTHER PUBLICATIONS

“HP Scanjet 4200c” May 17, 2000. CHIP http://www.chip.de/artikel/Vergleichstest-8-Scanner-ueber-1200-dpi-2_12845902.html.*

Primary Examiner — Susan Bennett Hattan

Assistant Examiner — Suzanne E Tisdell

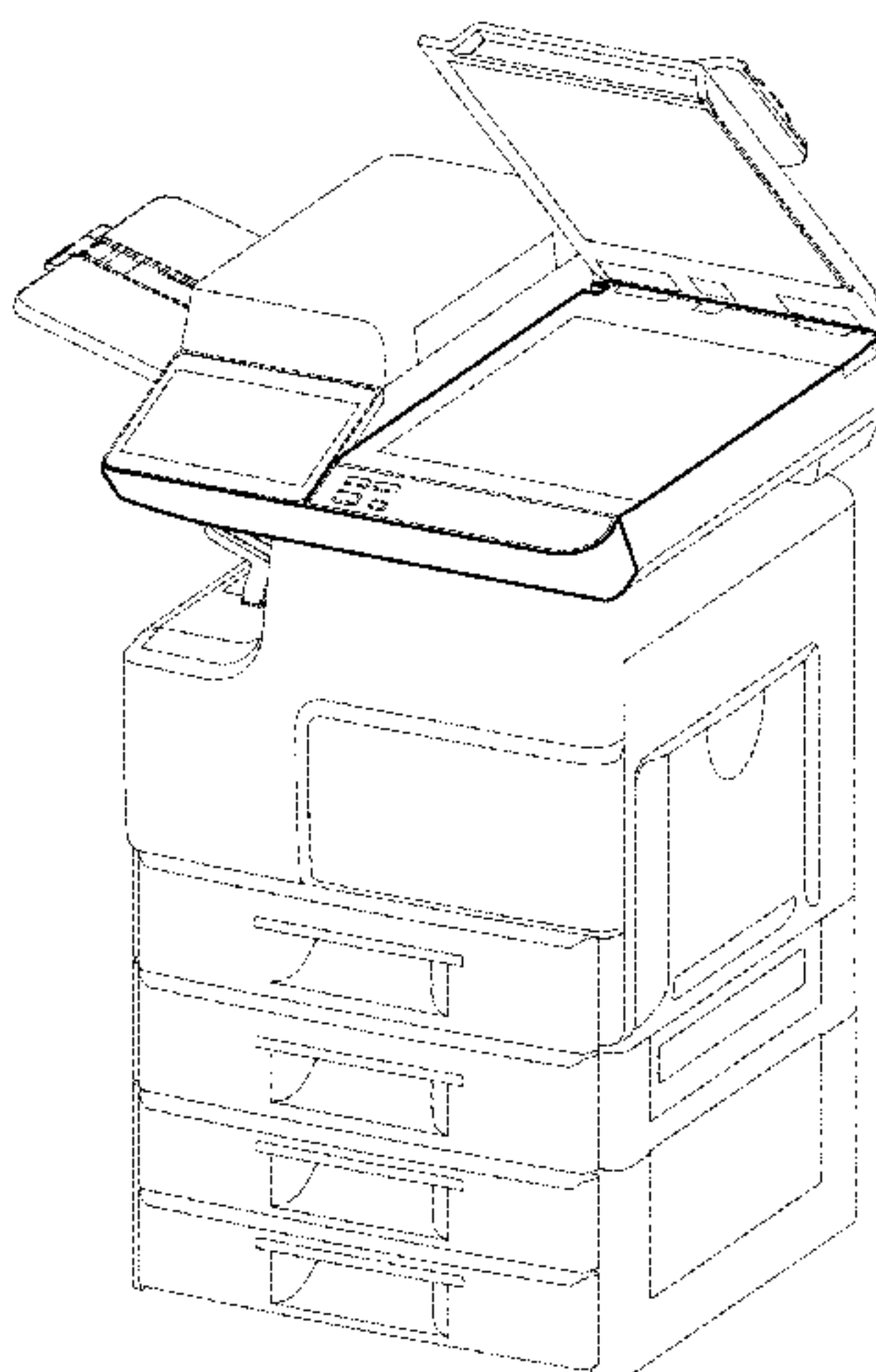
(57) **CLAIM**

The ornamental design for a multi-function printer, as shown and described.

DESCRIPTION

FIG. 1 is a first perspective view of a multi-function printer showing our new design;
FIG. 2 is a second perspective view thereof;
FIG. 3 is a front view thereof;
FIG. 4 is a rear view thereof;
FIG. 5 is a left side view thereof;
FIG. 6 is a right side view thereof;
FIG. 7 is a top plan view thereof; and,
FIG. 8 is a bottom plan view thereof.
Portions of the multi-function printer depicted in broken lines comprise environmental subject matter that forms no part of the claimed design.

1 Claim, 8 Drawing Sheets



(56)

References Cited

U.S. PATENT DOCUMENTS

D554,988	S *	11/2007	Sim	D9/425
D664,591	S *	7/2012	Ohta	D18/41
D681,726	S *	5/2013	Yonekawa	D14/421
D695,125	S *	12/2013	Larson	D9/432
D712,594	S *	9/2014	Heilman	D28/76
D719,018	S *	12/2014	Levy	D9/415
D722,869	S *	2/2015	Himmelsbach	D9/432
D724,941	S *	3/2015	Mattila	D9/432
D738,956	S *	9/2015	Larson	D18/49
D750,701	S *	3/2016	Nagano	D18/36
D765,771	S *	9/2016	Kim	D18/49
2010/0157392	A1 *	6/2010	Tsuzuki	G03G 21/046 358/498
2010/0196041	A1 *	8/2010	Otaki	G03G 15/502 399/81
2011/0235254	A1 *	9/2011	Uchida	G03G 15/5016 361/679.02
2013/0334759	A1 *	12/2013	Osaki	B65H 29/00 271/3.14
2015/0172501	A1 *	6/2015	Wilsher	H04N 1/1039 358/498
2016/0150110	A1 *	5/2016	Imoto	H04N 1/1026 399/107

* cited by examiner

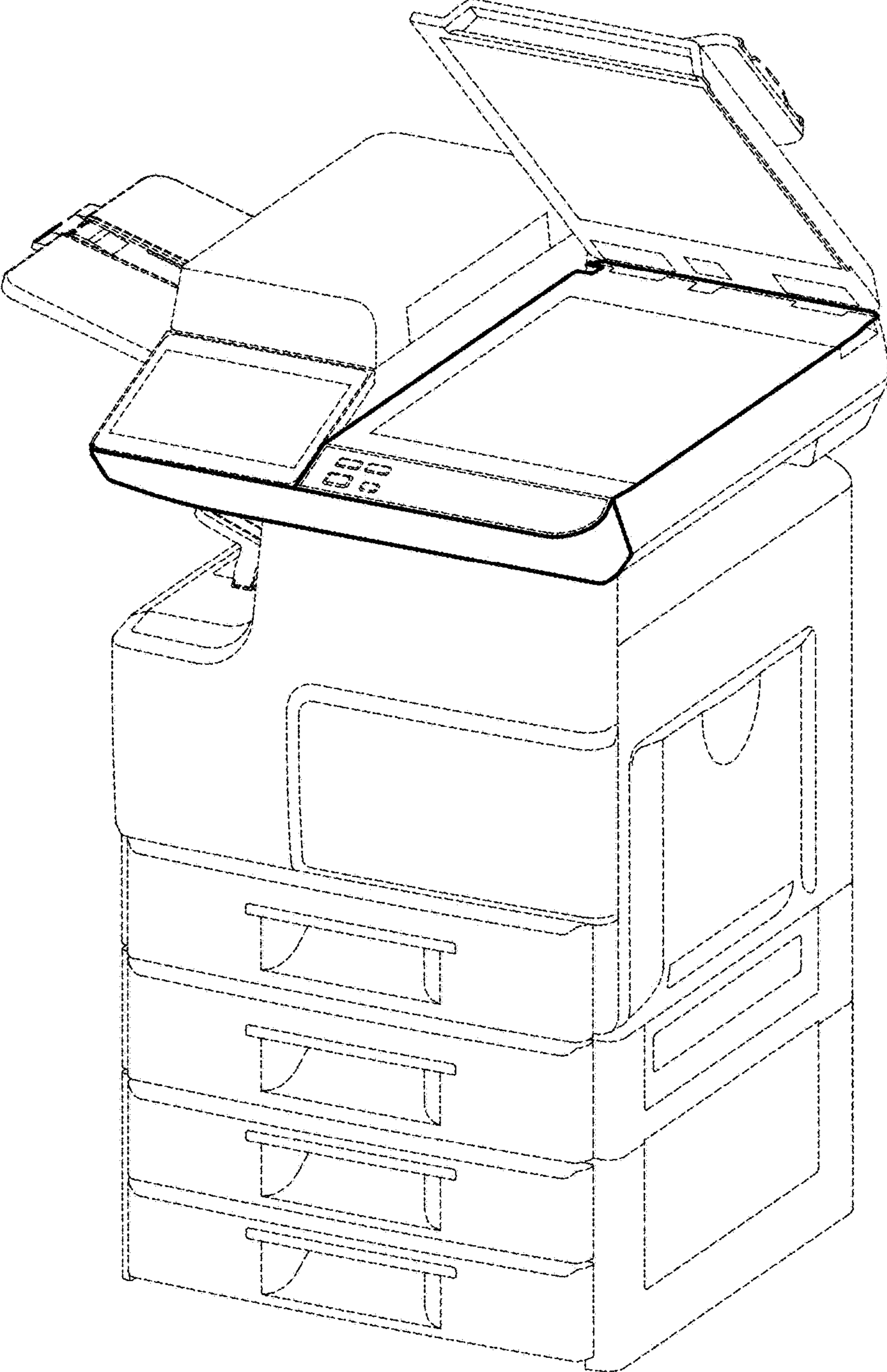


FIG. 1

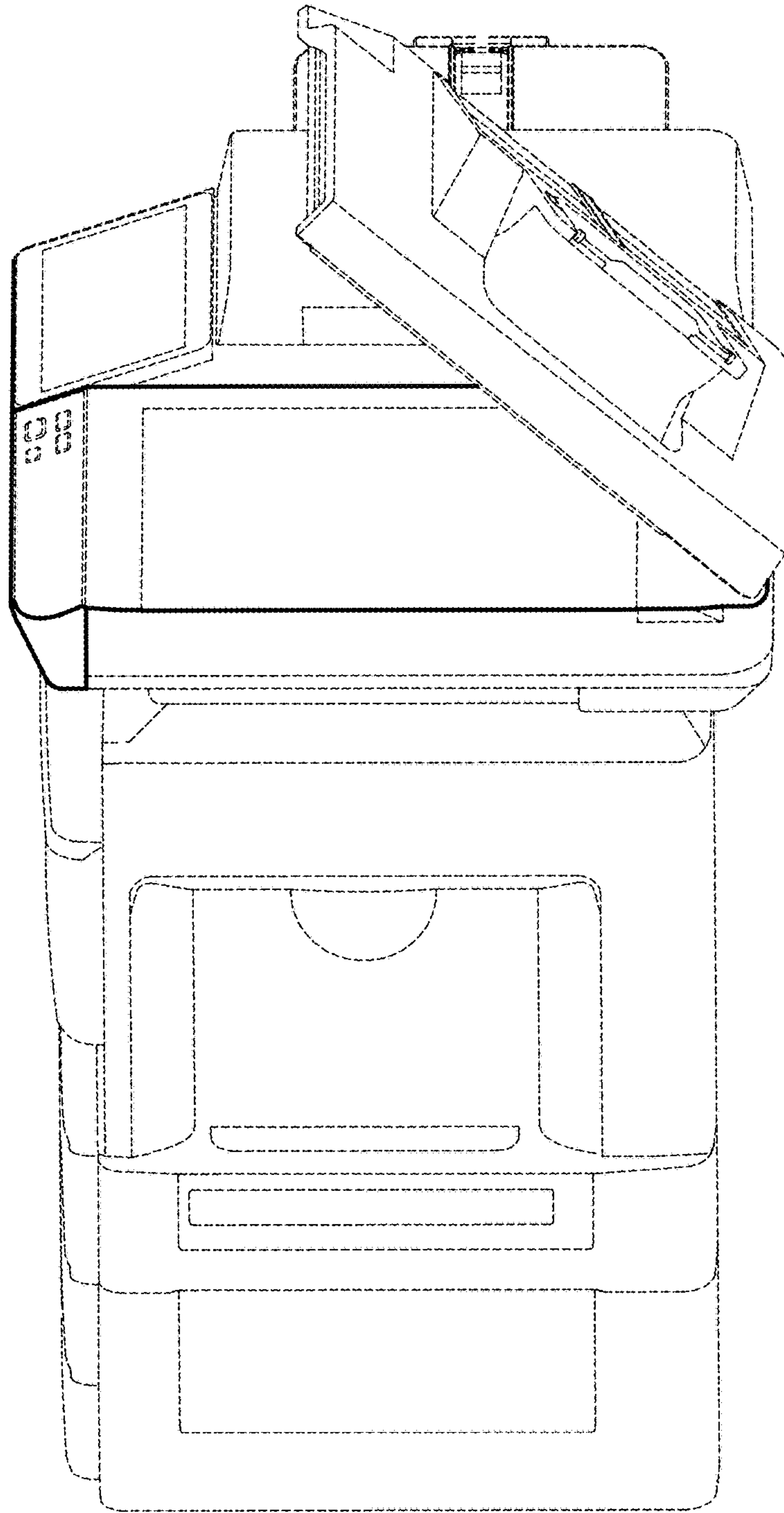


FIG. 2

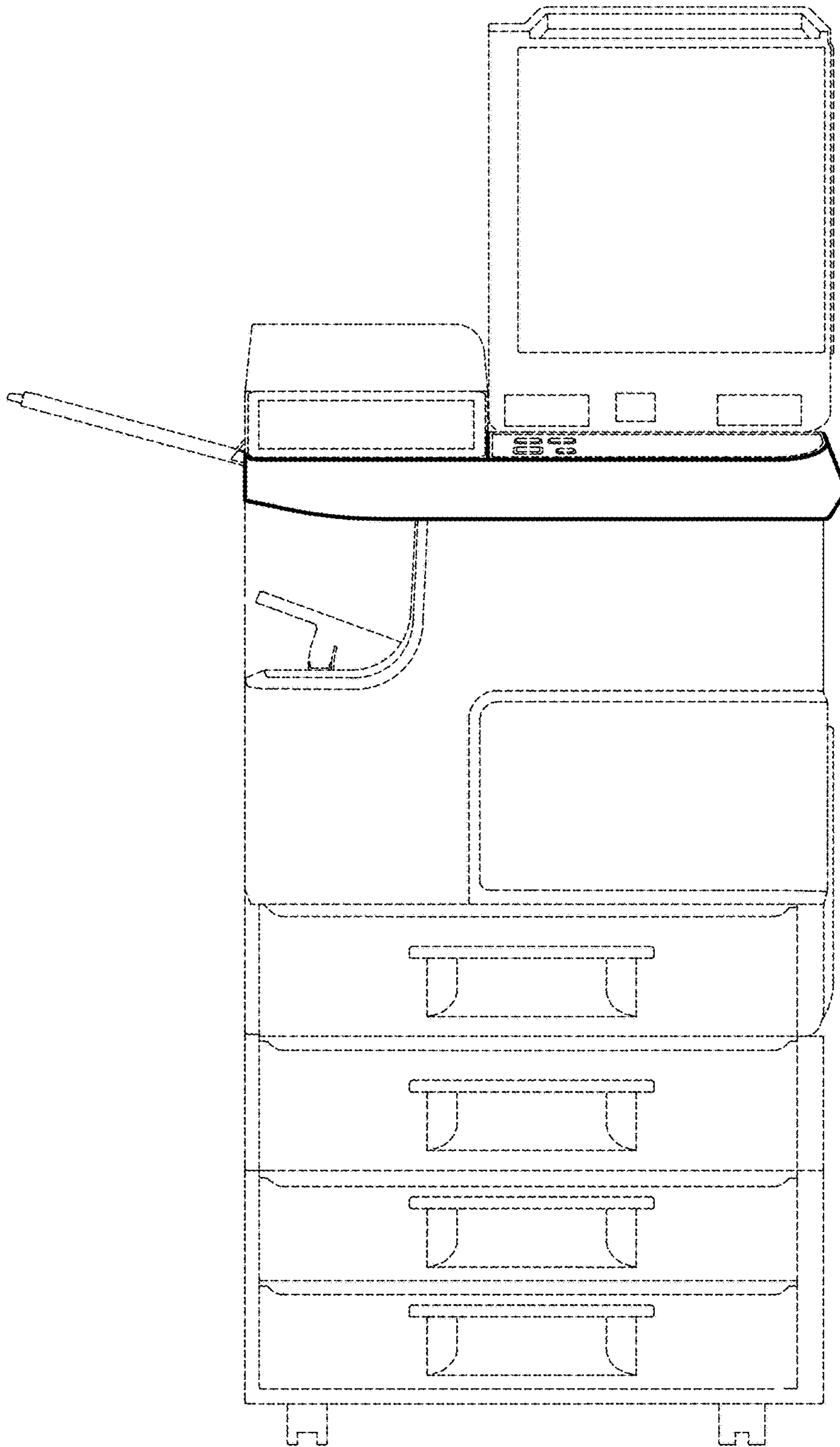


FIG. 3

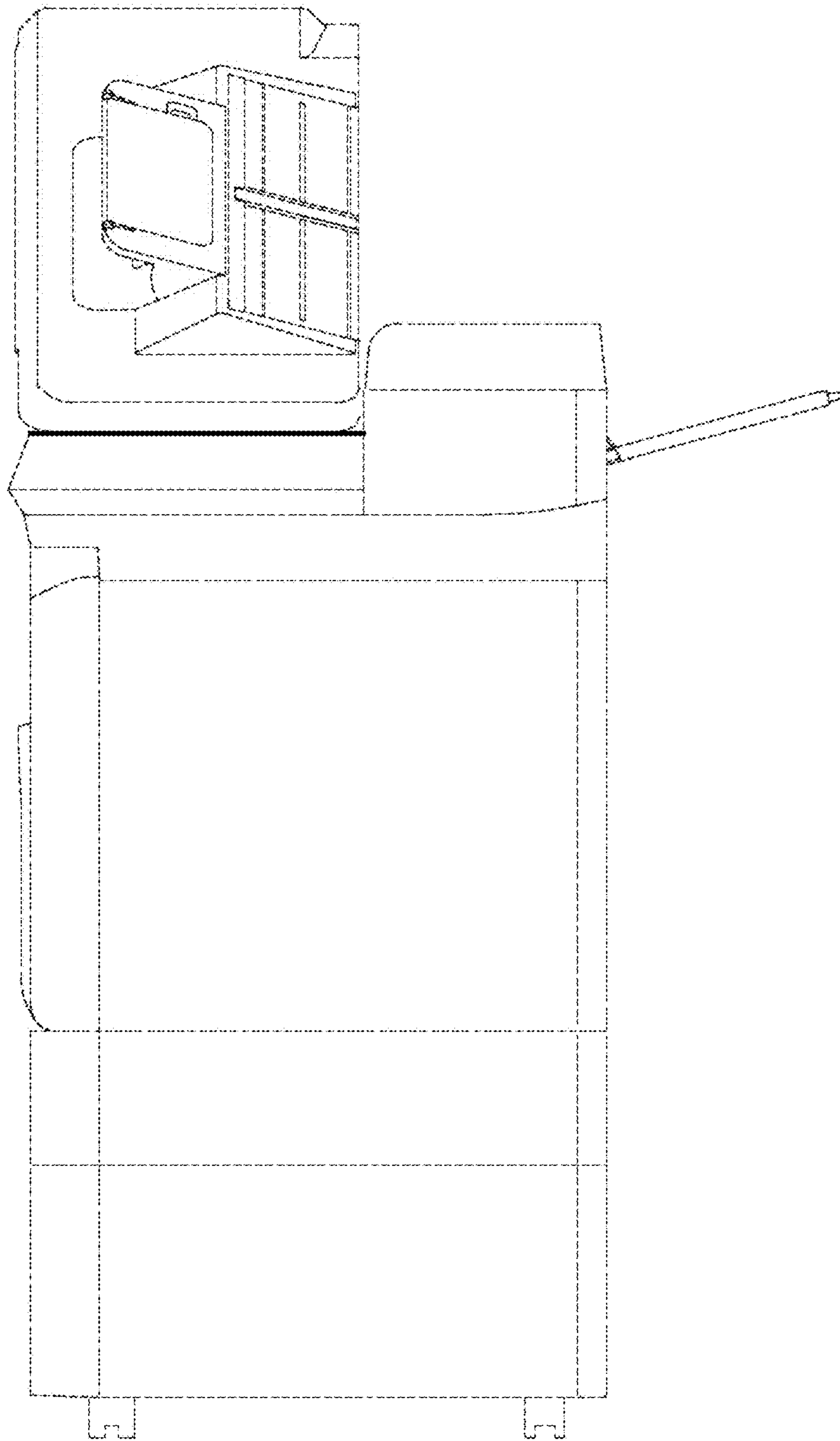


FIG. 4

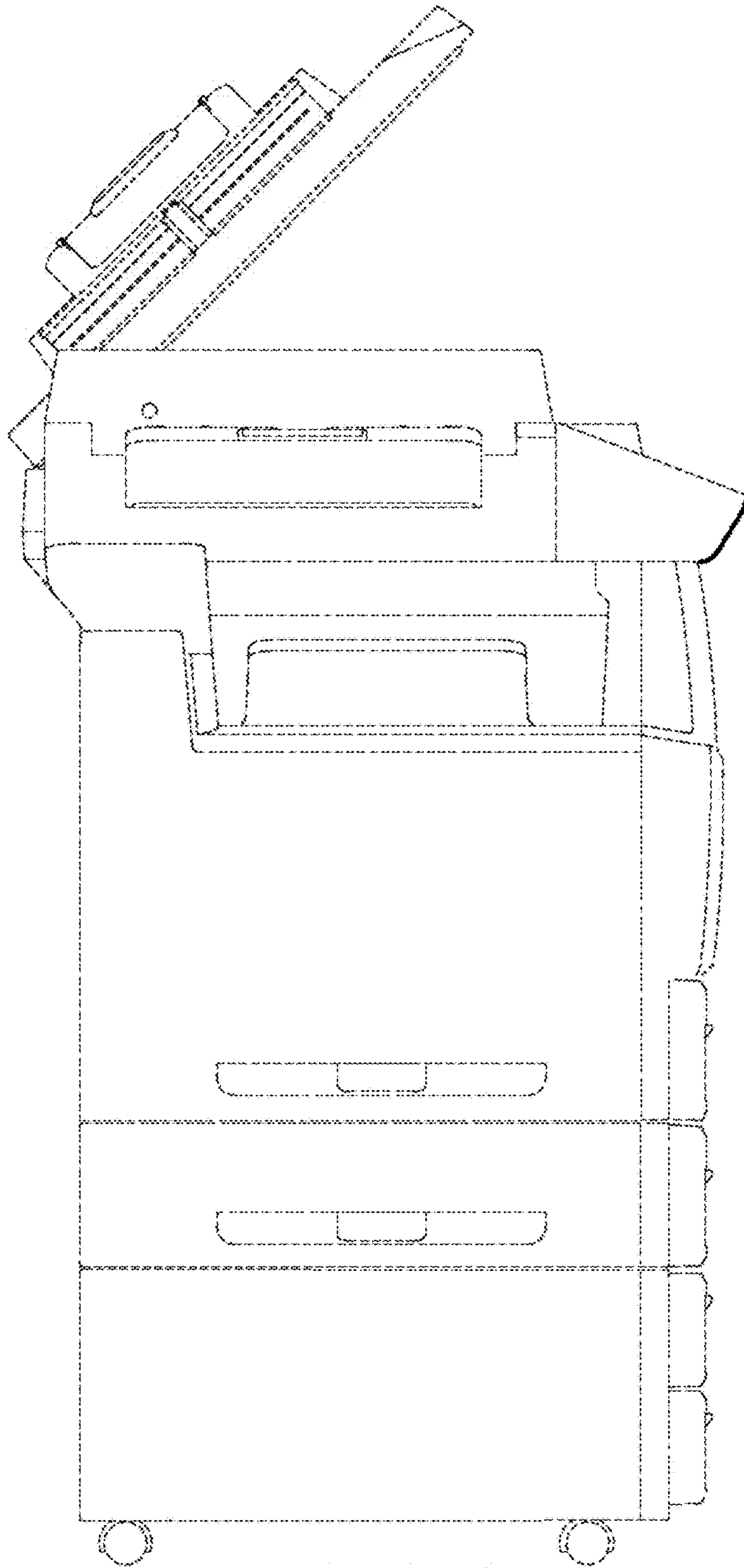


FIG. 5

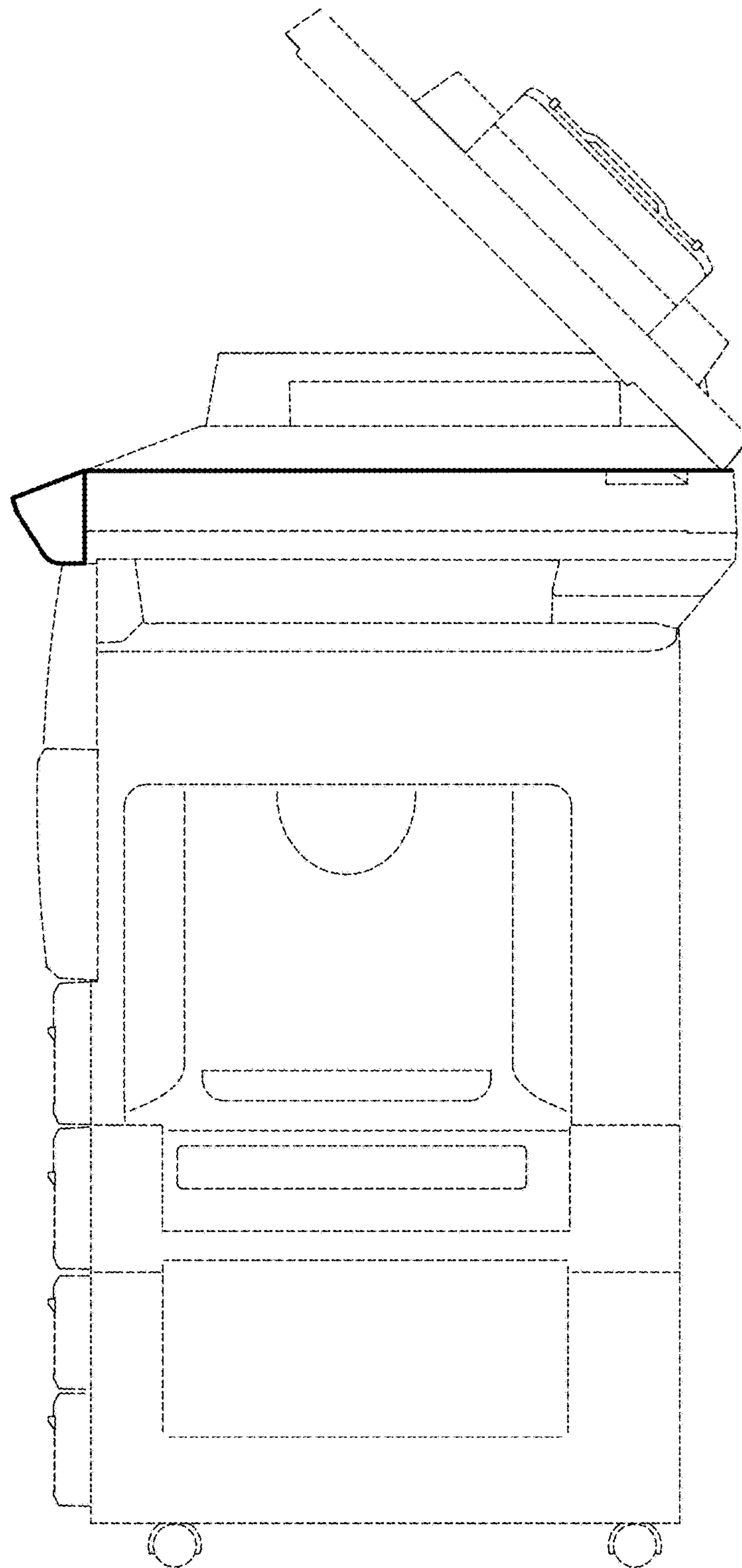


FIG. 6

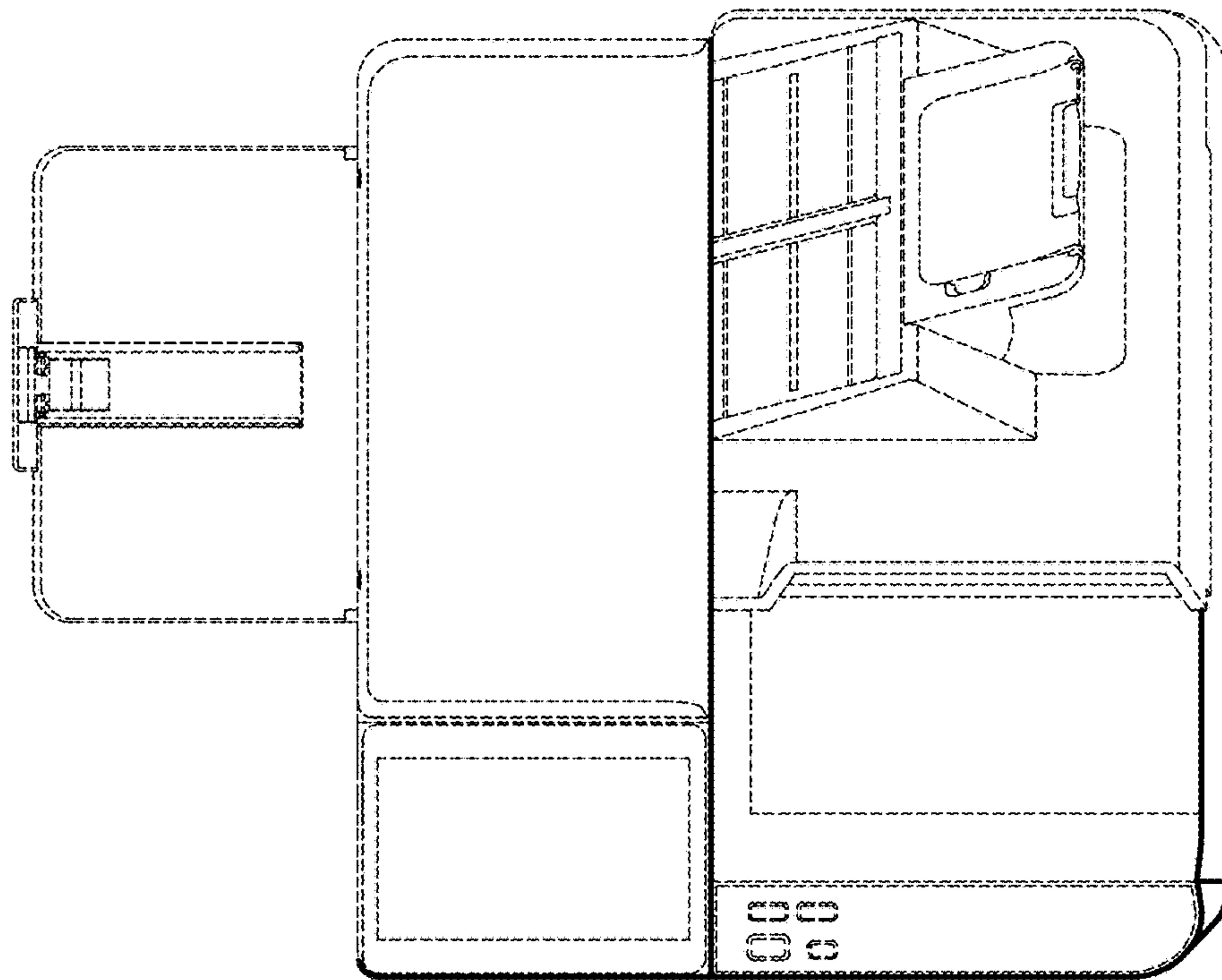


FIG. 7

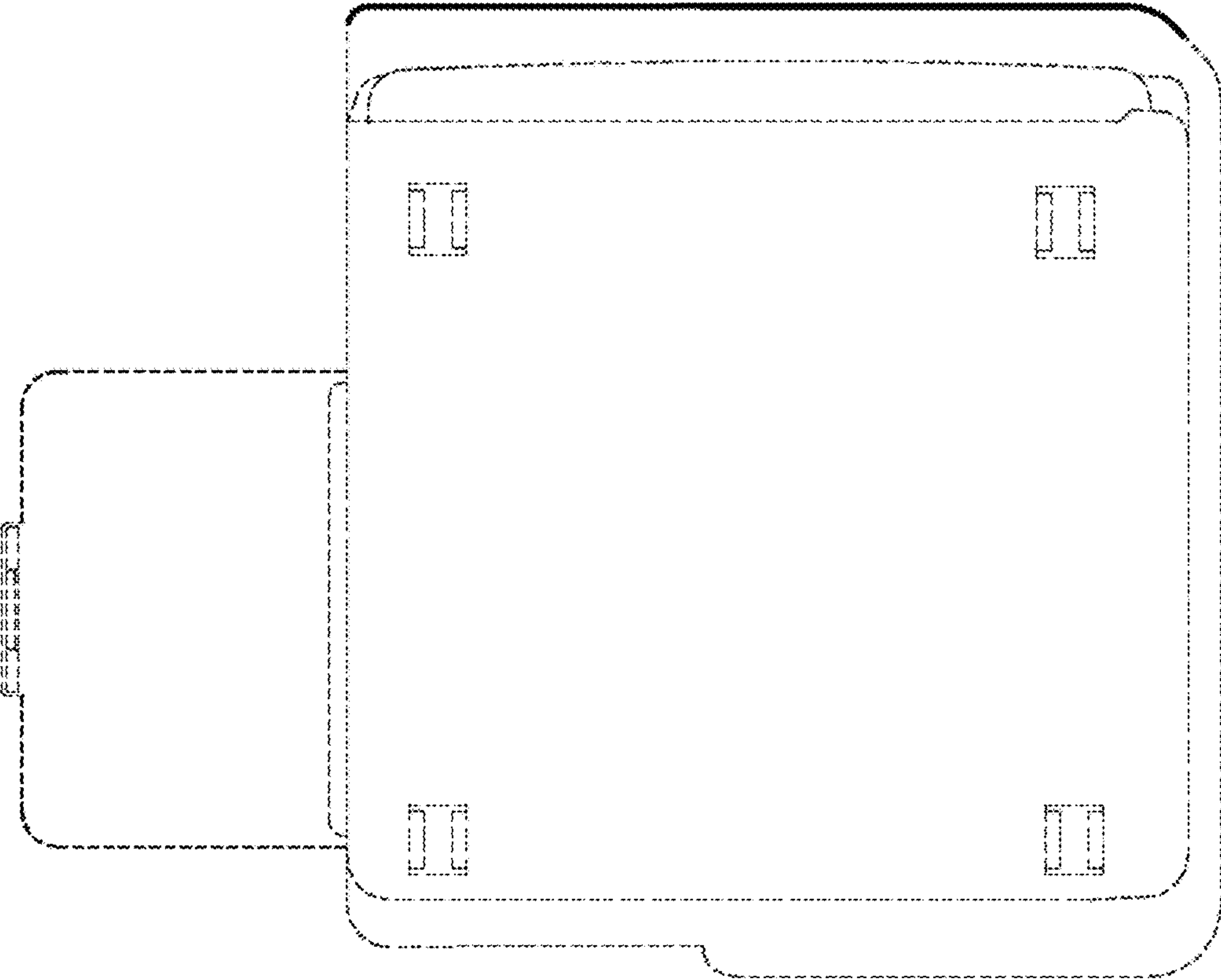


FIG. 8