



US00D840467S

(12) **United States Design Patent** (10) **Patent No.:** **US D840,467 S**  
**Lu et al.** (45) **Date of Patent:** **\*\* Feb. 12, 2019**

(54) **MEDIA CARTRIDGE**

(56) **References Cited**

(71) Applicant: **ZIH Corp.**, Lincolnshire, IL (US)

U.S. PATENT DOCUMENTS

(72) Inventors: **Kuan-Ying Lu**, Taichung (TW);  
**Shushuo Wu**, Rancho Santa Margarita,  
CA (US); **Lance Hussey**, Simi Valley,  
CA (US); **Harnish Jani**, Redondo  
Beach, CA (US); **Greg Vanderpol**,  
Long Beach, CA (US)

D591,336 S	4/2009	Kurenuma et al.	
D698,387 S	1/2014	Kubota et al.	
D746,904 S	1/2016	Kitagawa et al.	
D746,906 S	1/2016	Kitagawa et al.	
D753,216 S	4/2016	Kikuchi et al.	
D757,173 S	5/2016	Ishizawa et al.	
D774,129 S *	12/2016	Lu .....	D18/43
D785,083 S *	4/2017	Ahn .....	D18/43
D788,213 S *	5/2017	Maeshima .....	D18/43
D790,004 S *	6/2017	Maeshima .....	D18/43
D790,005 S *	6/2017	Maeshima .....	D18/43
D798,948 S *	10/2017	Toba .....	D18/43
D798,949 S *	10/2017	Toba .....	D18/43

(73) Assignee: **ZIH Corp.**, Lincolnshire, IL (US)

(\*\*) Term: **15 Years**

\* cited by examiner

(21) Appl. No.: **29/583,093**

*Primary Examiner* — Ian Simmons  
*Assistant Examiner* — Khawaja Anwar

(22) Filed: **Nov. 2, 2016**

**Related U.S. Application Data**

(57) **CLAIM**

(63) Continuation of application No. 29/512,031, filed on  
Dec. 16, 2014, now Pat. No. Des. 774,129.

The ornamental design for a media cartridge, as shown and  
described.

(51) **LOC (11) Cl.** ..... **16-03**

**DESCRIPTION**

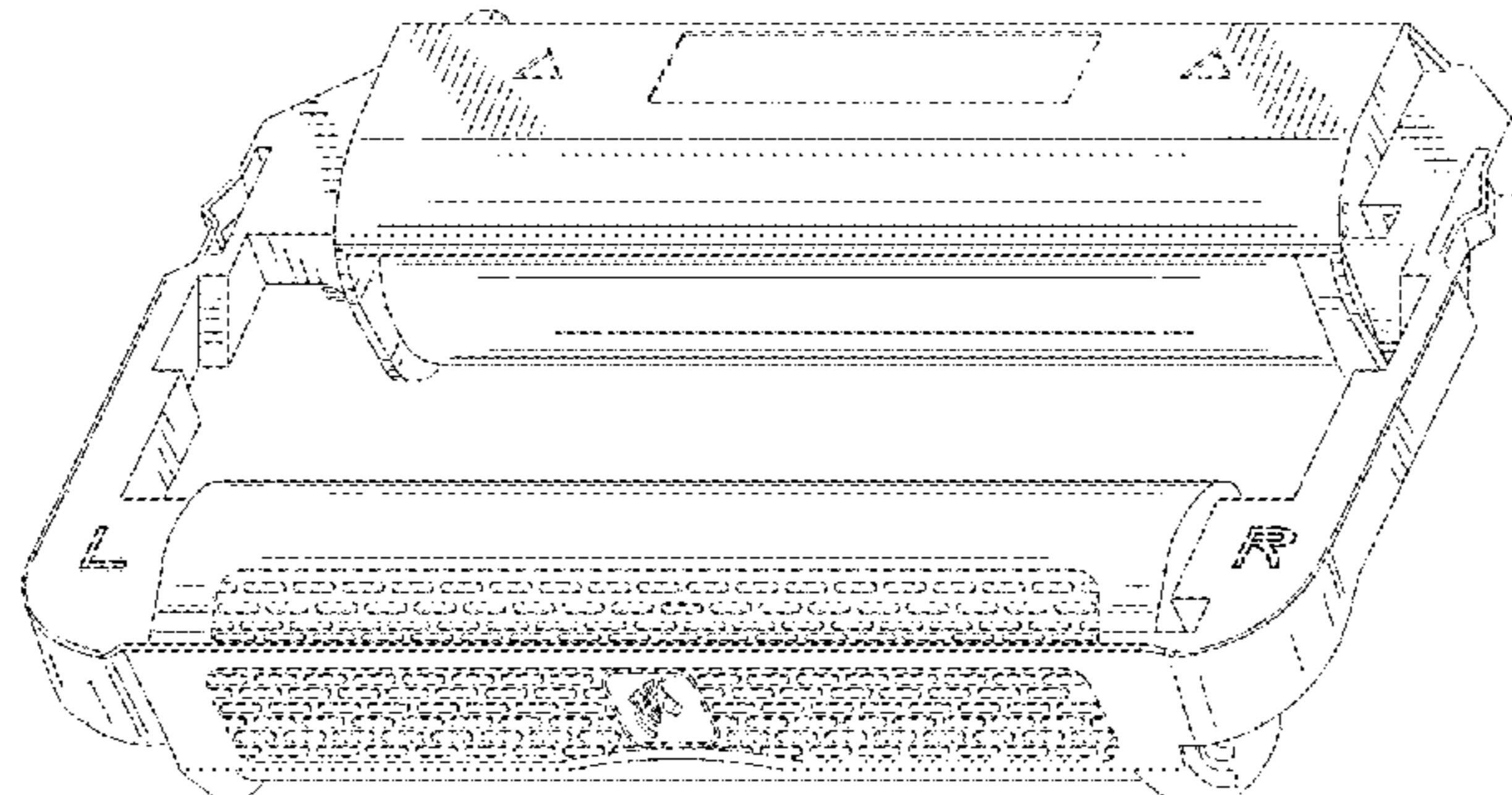
(52) **U.S. Cl.**  
USPC ..... **D18/43**; D18/56

FIG. 1 is a perspective view of a media cartridge according  
to our new design;  
FIG. 2 is a front elevation view thereof;  
FIG. 3 is a back elevation view thereof;  
FIG. 4 is a top side elevation view thereof;  
FIG. 5 is a bottom plan view thereof;  
FIG. 6 is a right side elevation view thereof; and,  
FIG. 7 is a left side elevation view thereof.  
The broken lines represent environment and form no part of  
the claimed design.

(58) **Field of Classification Search**  
USPC ..... D18/18, 40, 43, 56, 99  
CPC ..... G03G 15/0832; G03G 15/0834; G03G  
15/0836; G03G 15/0837; G03G 15/0867;  
G03G 15/0868; G03G 15/0872; G03G  
15/0877; G03G 15/0898; G03G 15/50;  
G03G 15/5016; G03G 15/60; G03G  
15/65

See application file for complete search history.

**1 Claim, 7 Drawing Sheets**



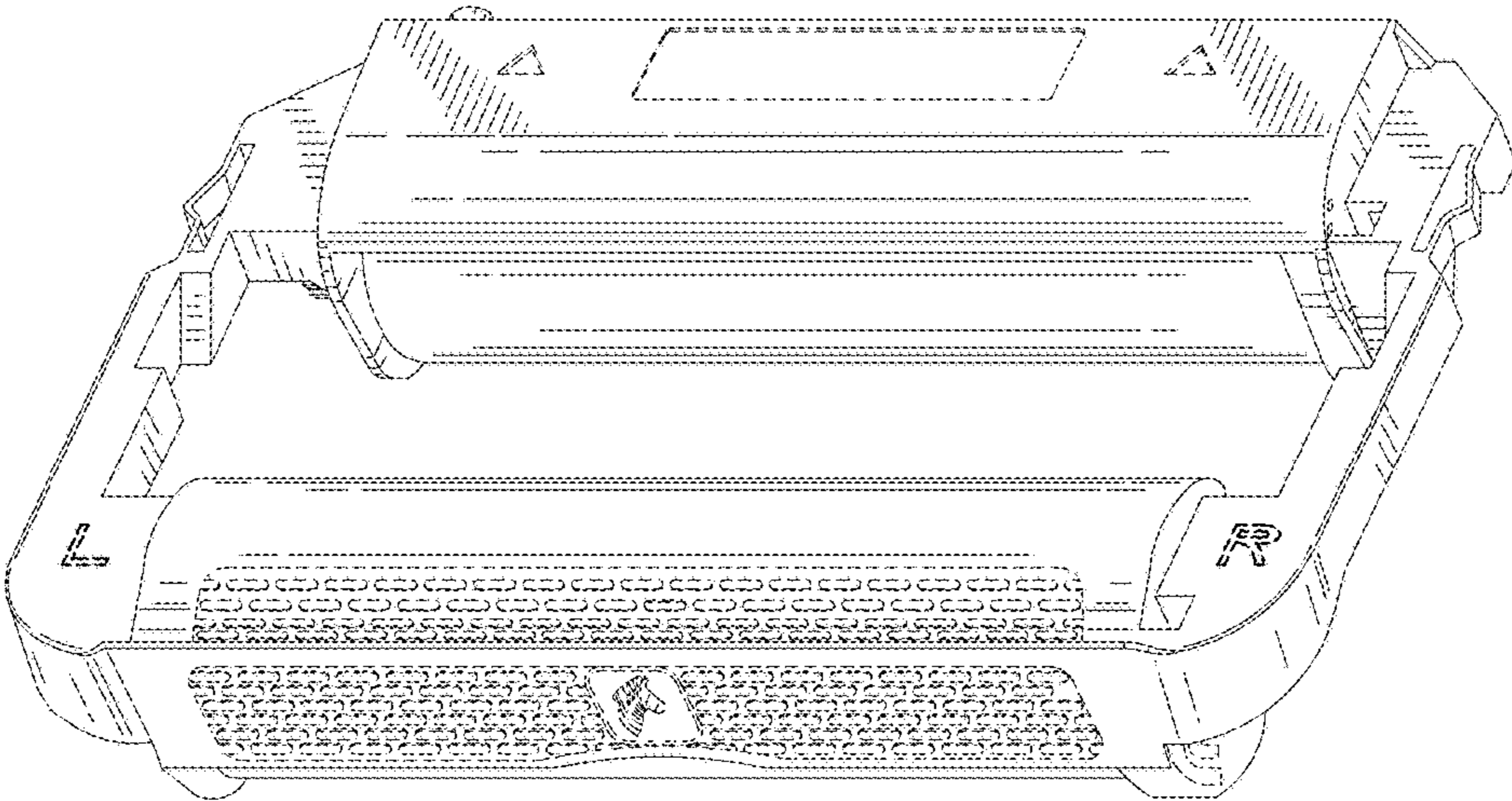


FIG. 1

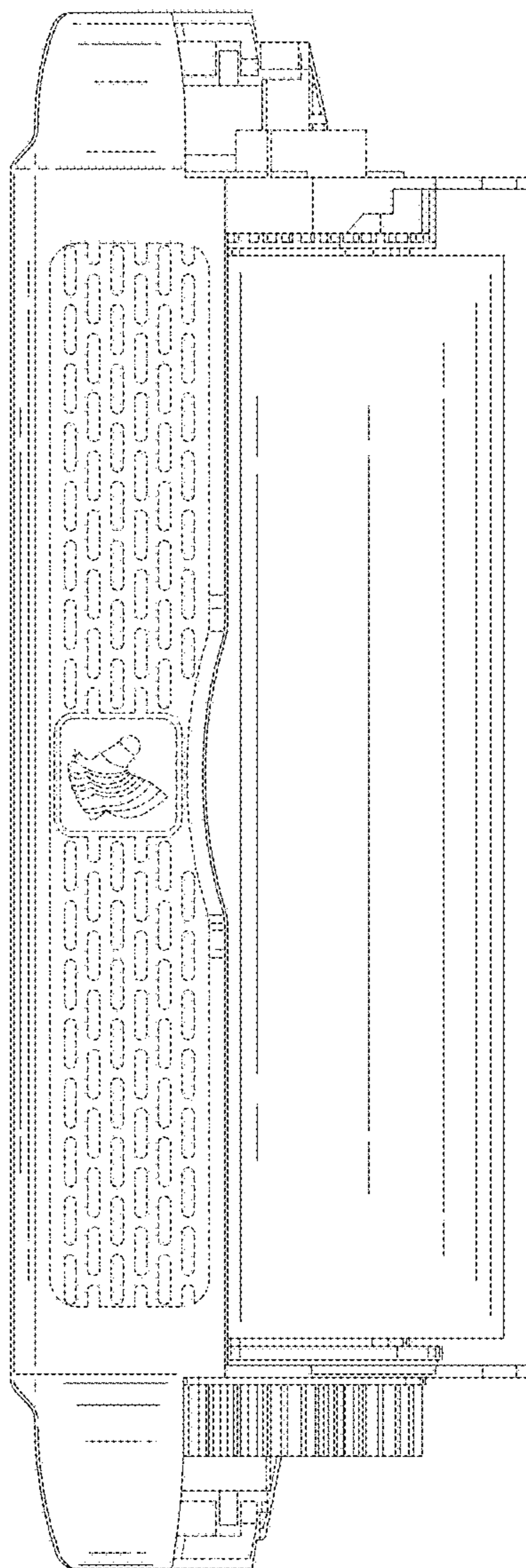


FIG. 2

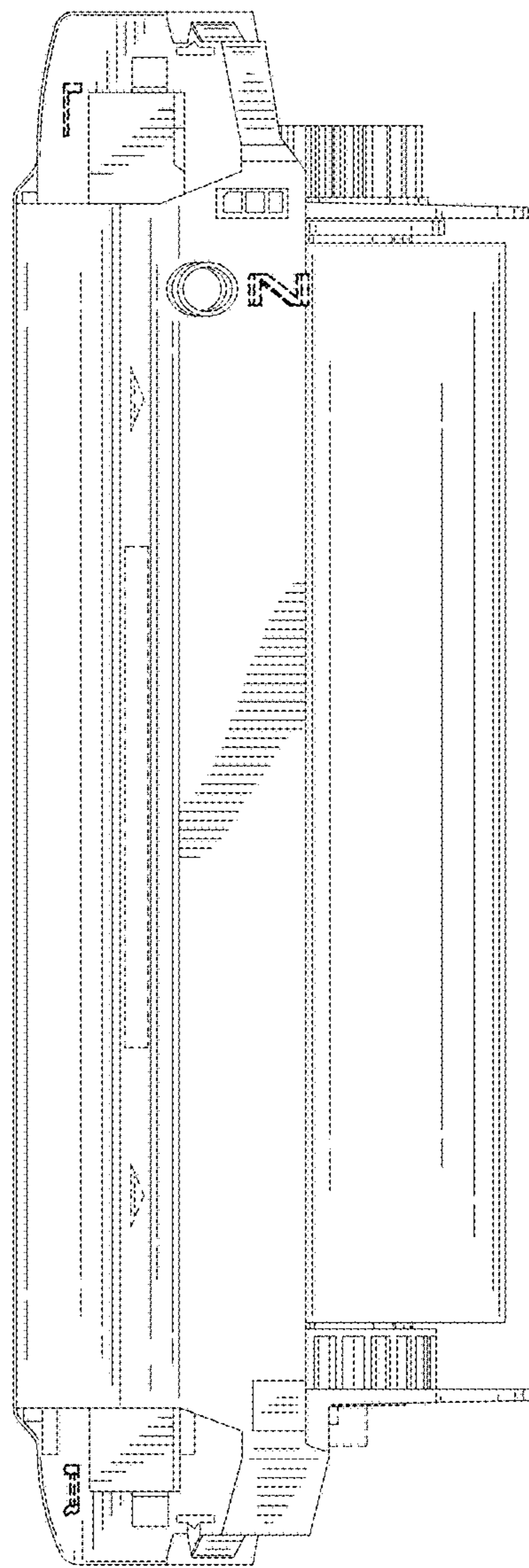


FIG. 3

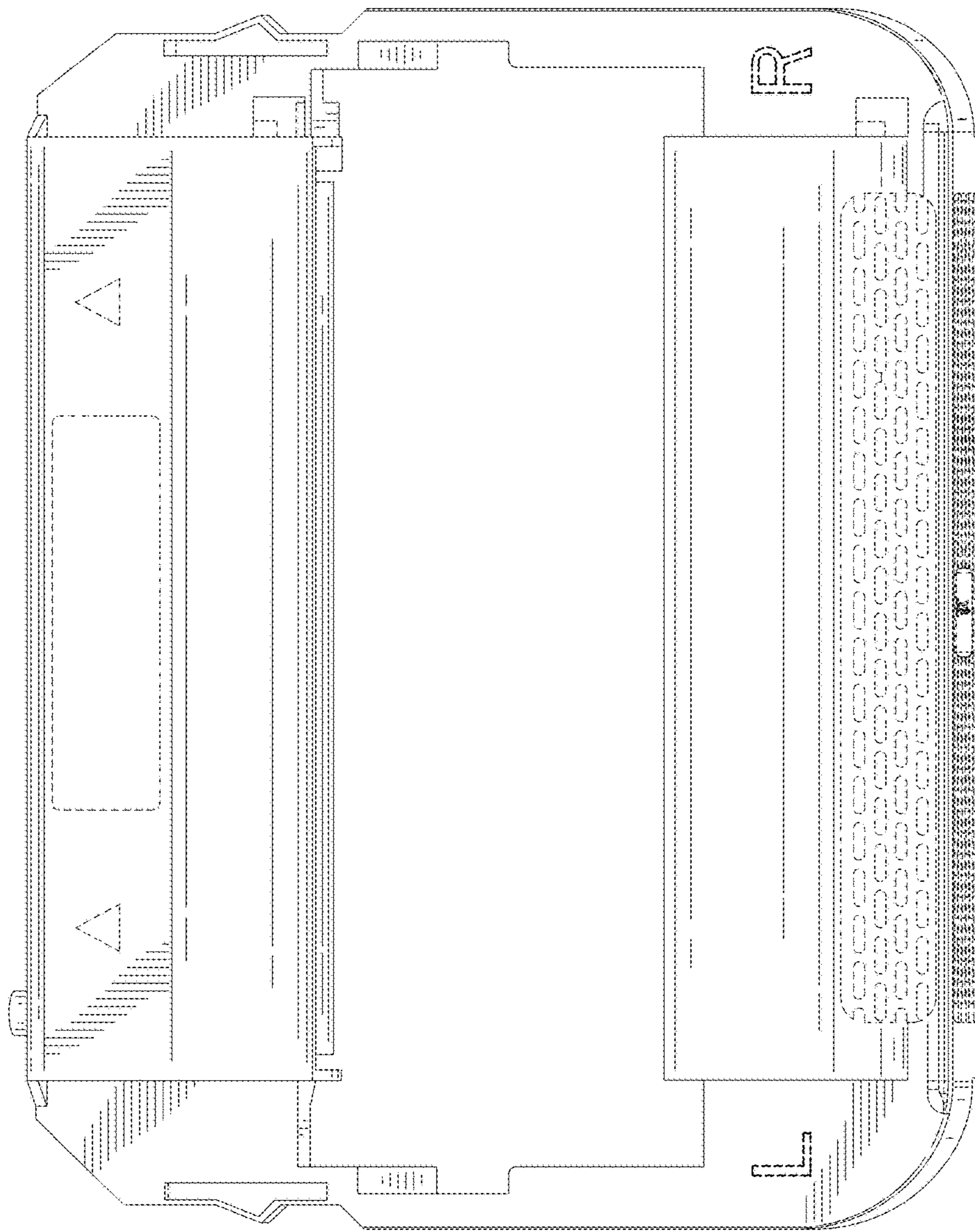


FIG. 4

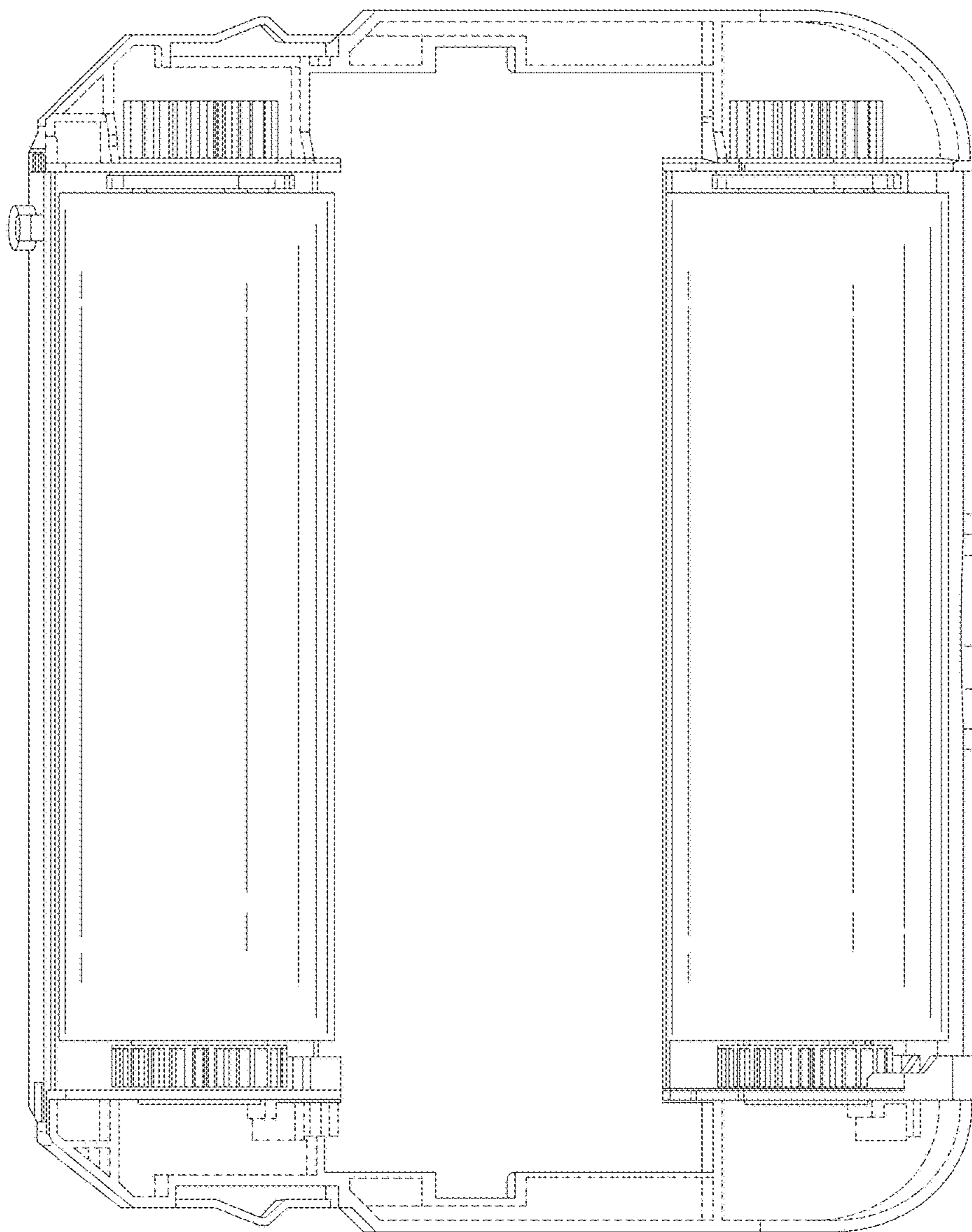


FIG. 5

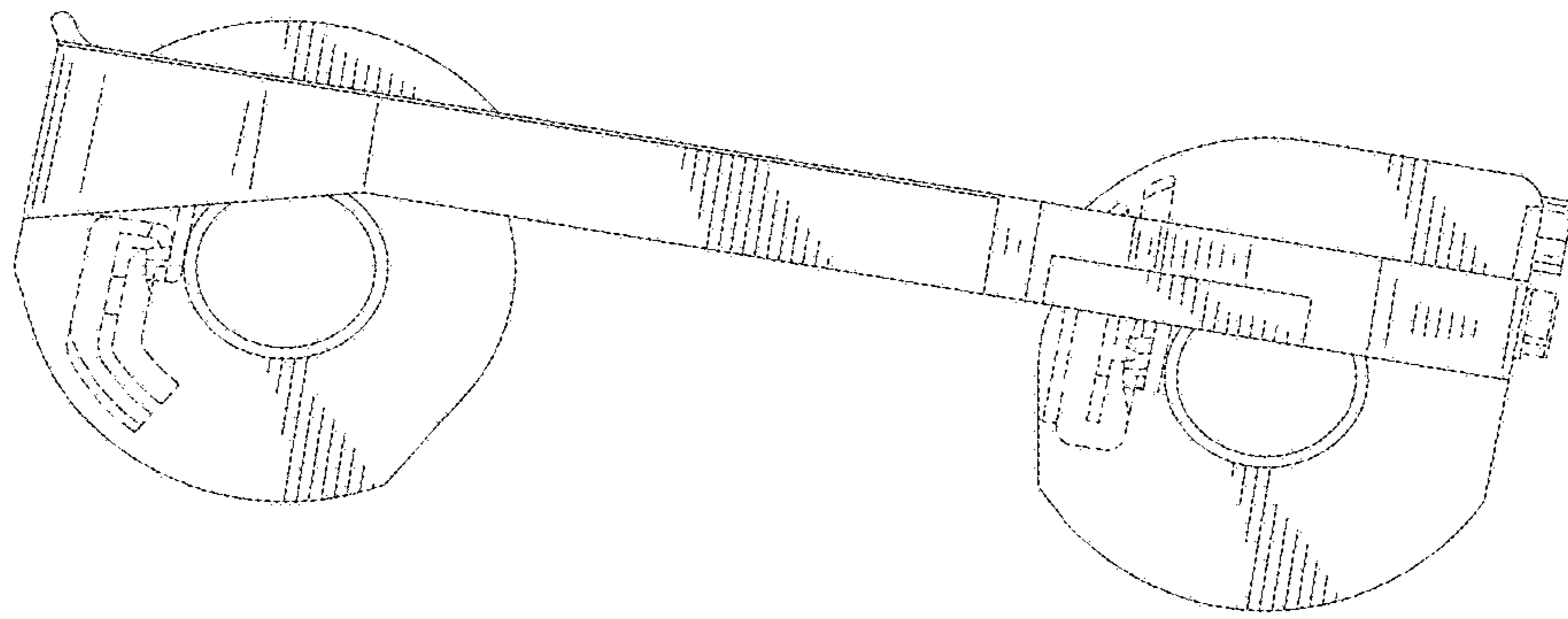


FIG. 6

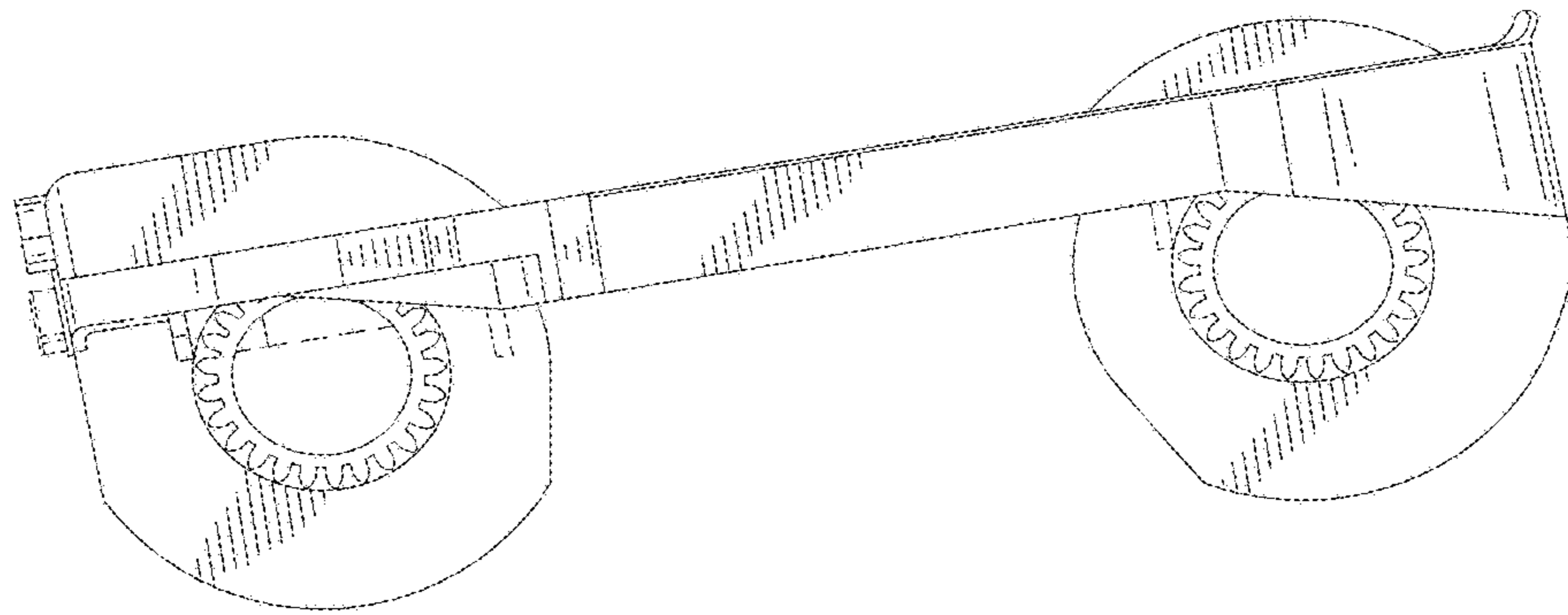


FIG. 7